



Chipsmall Limited consists of a professional team with an average of over 10 year of expertise in the distribution of electronic components. Based in Hongkong, we have already established firm and mutual-benefit business relationships with customers from,Europe,America and south Asia,supplying obsolete and hard-to-find components to meet their specific needs.

With the principle of “Quality Parts,Customers Priority,Honest Operation,and Considerate Service”,our business mainly focus on the distribution of electronic components. Line cards we deal with include Microchip,ALPS,ROHM,Xilinx,Pulse,ON,Everlight and Freescale. Main products comprise IC,Modules,Potentiometer,IC Socket,Relay,Connector.Our parts cover such applications as commercial,industrial, and automotives areas.

We are looking forward to setting up business relationship with you and hope to provide you with the best service and solution. Let us make a better world for our industry!



## Contact us

Tel: +86-755-8981 8866 Fax: +86-755-8427 6832

Email & Skype: info@chipsmall.com Web: www.chipsmall.com

Address: A1208, Overseas Decoration Building, #122 Zhenhua RD., Futian, Shenzhen, China



# MA4VAT907-1061T



## High IIP3 PIN Diode Variable Attenuator 0.8 - 1.0 GHz

Rev. V4

### Features

- Bandwidth: 0.80 GHz to 1.0 GHz
- 1.0 dB Insertion Loss, Typical
- 12 dB Return Loss, Typical
- 25 dB Attenuation, Typical
- 50 dBm Input IP3, Typical (1MHz Offset, @+0dBm Pinc)
- 0 – 3.0 Volts Control Voltage @3.3mA Typical
- RoHs Compliant

### Extra Features

- Covers the following Bands:
  - GSM
  - AMPS
- Usable Bandwidth: 0.60 GHz to 1.20 GHz
- 1.5 dB Insertion Loss, Typical
- 1.8:1 VSWR, Typical
- 18.5 dB Attenuation, Typical

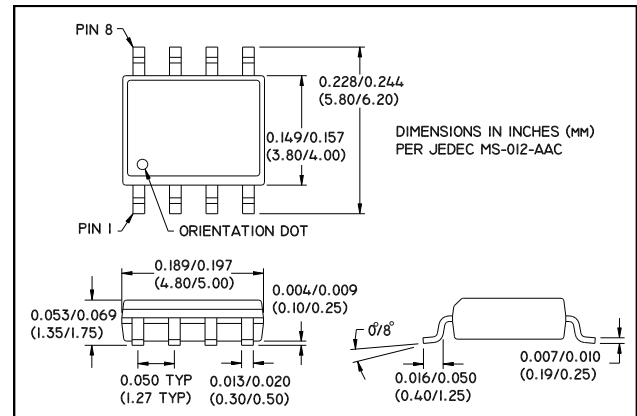
### Description and Applications

M/A-COM's MA4VAT907-1061T is a HMIC PIN Diode Variable Attenuator which utilizes an integrated 90 degree 3dB hybrid with a pair of Silicon PIN Diodes to perform the required attenuation function as D.C. Voltage (Current) is applied.

This device operates from 0 to 2.77Volts at 3.0mA typical control current for maximum attenuation. The user can add external biasing resistors to the bias ports for higher voltage requirements as required.

M/A-COM's MA4VAT907-1061T PIN Diode Variable Attenuator is designed for AGC Circuit Applications requiring:

- Lower Insertion Loss
- Lower distortion through attenuation
- Larger dynamic range for wide spread spectrum applications



### SOIC-8 PIN Configuration (Topview)

PIN	Function	Comments
1	DC1	
2	GND	
3	GND	
4	RFin/out	Symmetrical as RF Input/Ouput
5	RFout/in	Symmetrical as RF Input/Ouput
6	GND	
7	GND	
8	DC2	

### Absolute Maximum Ratings @ +25 °C <sup>1,2</sup>

Parameter	Maximum Ratings
Operating Temperature	-40 °C to +85 °C
Storage Temperature	-65 °C to +150 °C
Junction Temperature	+175 °C
RF C.W. Incident Power	+33 dBm C.W.
Reversed Current @ -30 V	50nA
Control Current	50 mA per Diode

1. All the above values are at +25 °C, unless otherwise noted.
2. Exceeding these limits may cause permanent damage.

# MA4VAT907-1061T



## High IIP3 PIN Diode Variable Attenuator 0.8 - 1.0 GHz

Rev. V4

### Electrical Specifications @ +25 °C

Parameter	Frequency Band	Unit	Min	Typ	Max
<b>Low Loss RF Parameter (Pin = +10 dBm, except for P1dB, &amp; IP3)</b>					
Insertion Loss	0.80 GHz—1.00 GHz	dB	-	1.0	1.2
Input Return Loss		dB	11	12	-
Output Return Loss		dB	11	12	-
P1dB		dBm	30	-	-
Input IP3		dBm	45	49	-
Control Voltage		V	-	0 V @ 0uA	-
<b>Maximum Attenuation RF Parameter (Pin = +10 dBm, except for P1dB, &amp; IP3)</b>					
Maximum Attenuation	0.80 GHz—1.00 GHz	dB	18.5	24	-
Input Return Loss @ Max Attenuation		dB	15	21	-
Output Return Loss @ Max Attenuation		dB	15	21	-
Input IP3		dBm	36	39	-
Control Voltage @ Max Attenuation		V	-	3.0 V @ 3.35 mA	-

### Typical RF Performance Over Industry Designated RF Frequency Bands

Band		Freq	I. Loss	Att.	R. Loss	IIP3	Phase -Relative-
		(MHz)	(dB)	(dB)	(dB)	(dBm)	(Degree)
AMPS	RX	824-849	0.9	22	12	50	-15°
	TX	869-894	0.9	22	12	50	
GSM	RX	880-915	1.2	20	11	50	-20°
	TX	925-960	1.2	20	11	50	

3. All are typical values only.

4. Relative phase is the measured Insertion Phase difference between Insertion Loss and 15 dB Attenuation.  
(Please refer to the plots below)

**ADVANCED:** Data Sheets contain information regarding a product M/A-COM Technology Solutions is considering for development. Performance is based on target specifications, simulated results, and/or prototype measurements. Commitment to develop is not guaranteed.

**PRELIMINARY:** Data Sheets contain information regarding a product M/A-COM Technology Solutions has under development. Performance is based on engineering tests. Specifications are typical. Mechanical outline has been fixed. Engineering samples and/or test data may be available. Commitment to produce in volume is not guaranteed.

• **North America** Tel: 800.366.2266 / Fax: 978.366.2266

• **Europe** Tel: 44.1908.574.200 / Fax: 44.1908.574.300

• **Asia/Pacific** Tel: 81.44.844.8296 / Fax: 81.44.844.8298

Visit [www.macomtech.com](http://www.macomtech.com) for additional data sheets and product information.

M/A-COM Technology Solutions Inc. and its affiliates reserve the right to make changes to the product(s) or information contained herein without notice.

# MA4VAT907-1061T

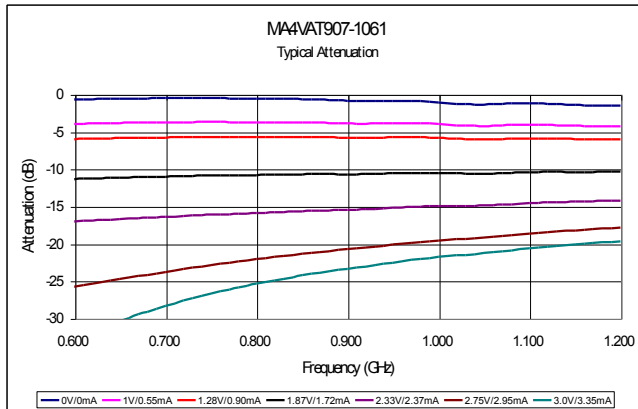


## High IIP3 PIN Diode Variable Attenuator 0.8 - 1.0 GHz

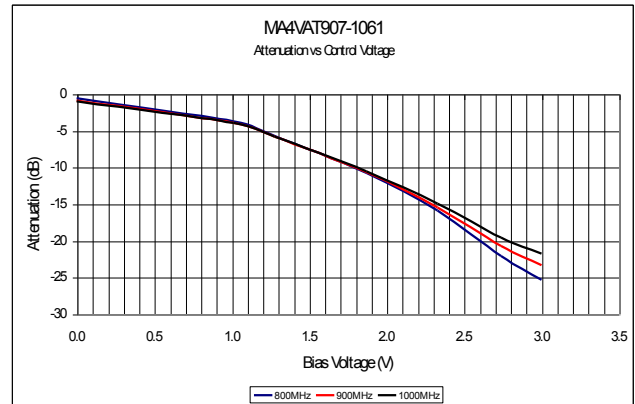
Rev. V4

### Plots of Typical RF Characteristics @ +25 °C

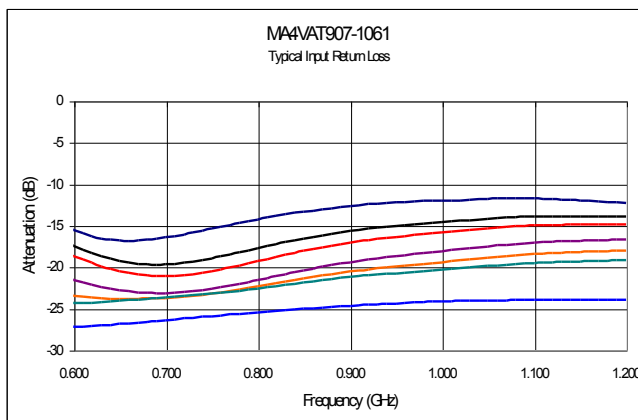
**Typical Insertion Loss & Attenuation Plot**



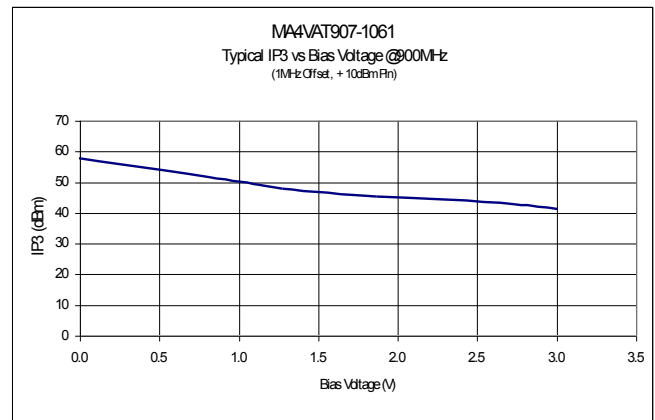
**Typical Attenuation vs Voltage**



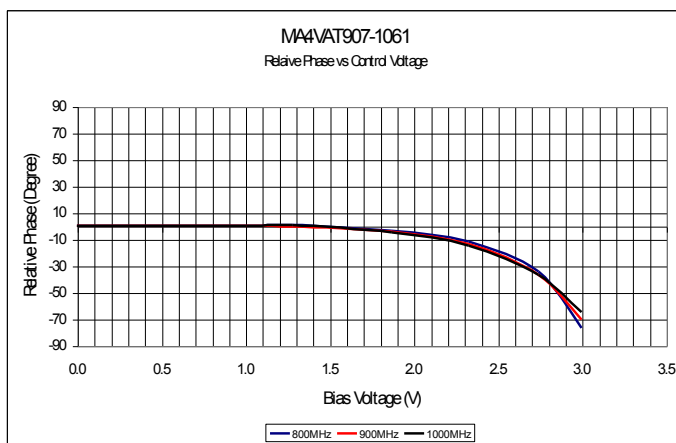
**Typical Return Loss @ All Attenuation Levels Plot**



**Typical IIP3 vs Attenuation Plot**



**Typical Relative Phase Shift Per Attenuation (Voltage)**



**For Reference ONLY:**

- Insertion Loss = 0.00 V @ 0.00 mA
- 5dB Attenuation = 1.30 V @ 0.95 mA
- 10dB Attenuation = 1.94 V @ 1.78 mA
- 15dB Attenuation = 2.36 V @ 2.42 mA
- 20dB Attenuation = 2.67 V @ 2.90 mA
- Max Attenuation = 2.77 V @ 3.00 mA

**ADVANCED:** Data Sheets contain information regarding a product M/A-COM Technology Solutions is considering for development. Performance is based on target specifications, simulated results, and/or prototype measurements. Commitment to develop is not guaranteed.  
**PRELIMINARY:** Data Sheets contain information regarding a product M/A-COM Technology Solutions has under development. Performance is based on engineering tests. Specifications are typical. Mechanical outline has been fixed. Engineering samples and/or test data may be available. Commitment to produce in volume is not guaranteed.

• **North America** Tel: 800.366.2266 / Fax: 978.366.2266  
 • **Europe** Tel: 44.1908.574.200 / Fax: 44.1908.574.300  
 • **Asia/Pacific** Tel: 81.44.844.8296 / Fax: 81.44.844.8298  
 Visit [www.macomtech.com](http://www.macomtech.com) for additional data sheets and product information.  
 M/A-COM Technology Solutions Inc. and its affiliates reserve the right to make changes to the product(s) or information contained herein without notice.

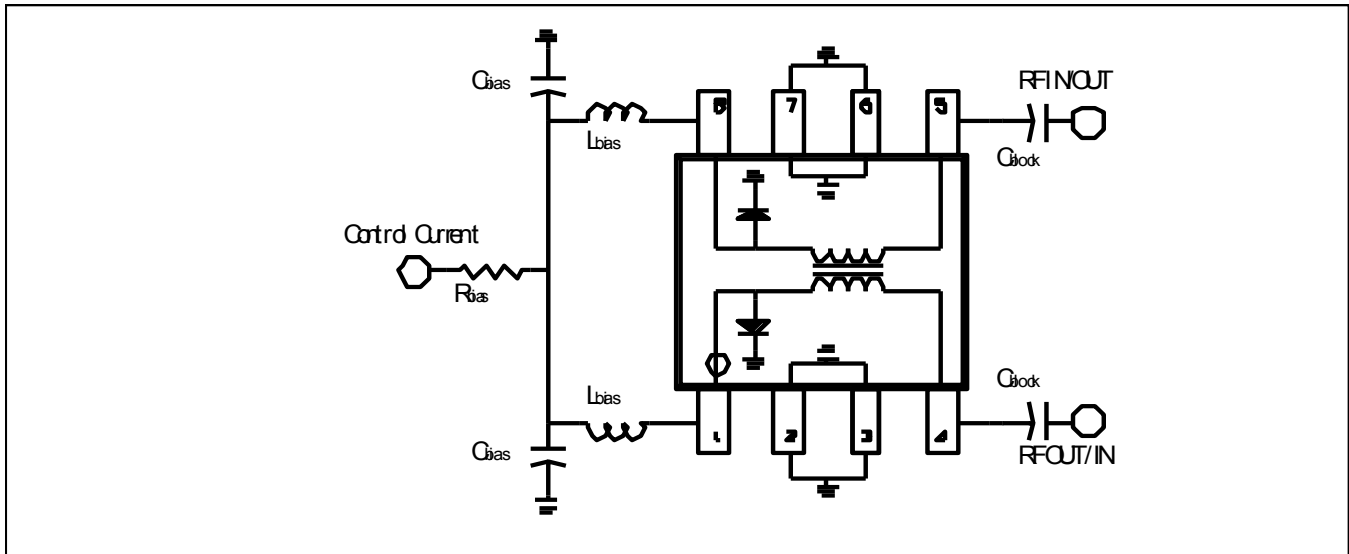
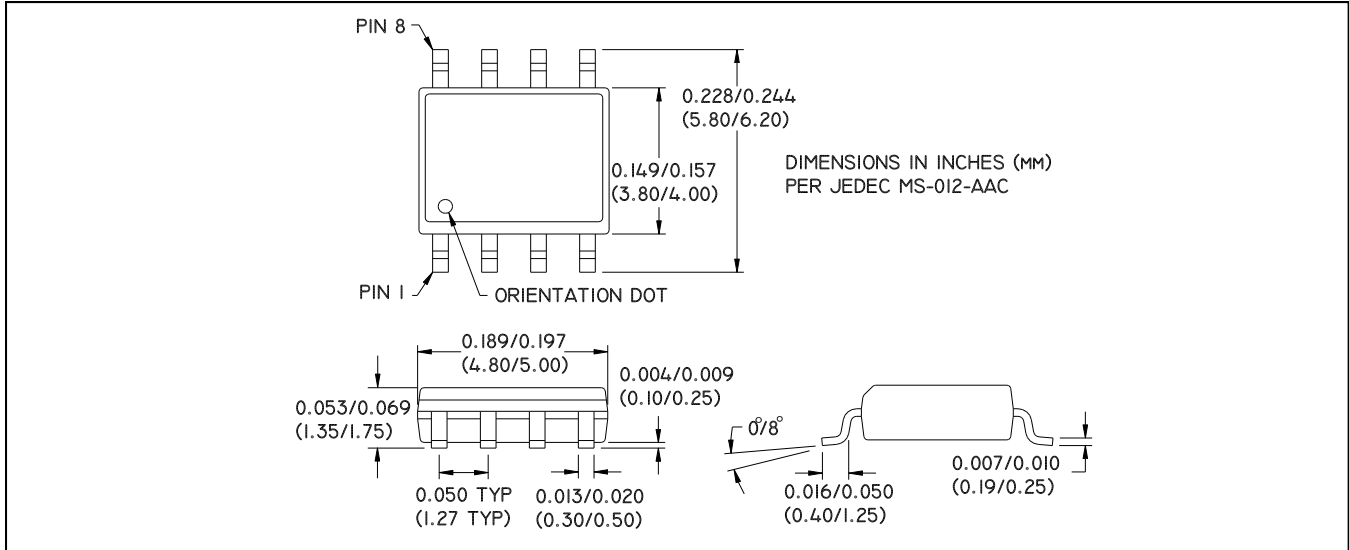
# MA4VAT907-1061T



**High IIP3 PIN Diode Variable Attenuator**  
**0.8 - 1.0 GHz**

Rev. V4

## Package PIN Designation, External Components, and Equivalent Circuit



### External Bias Components

$R_{bias} = 680 \text{ Ohms ( } 3.0 \text{ V @ } 3.5 \text{ mA )}$   
 $L_{bias} = 150 \text{ nH}$   
 $C_{bias} = 100 \text{ pF}$   
 $C_{block} = 100 \text{ pF}$

**ADVANCED:** Data Sheets contain information regarding a product M/A-COM Technology Solutions is considering for development. Performance is based on target specifications, simulated results, and/or prototype measurements. Commitment to develop is not guaranteed.  
**PRELIMINARY:** Data Sheets contain information regarding a product M/A-COM Technology Solutions has under development. Performance is based on engineering tests. Specifications are typical. Mechanical outline has been fixed. Engineering samples and/or test data may be available. Commitment to produce in volume is not guaranteed.

- **North America** Tel: 800.366.2266 / Fax: 978.366.2266
- **Europe** Tel: 44.1908.574.200 / Fax: 44.1908.574.300
- **Asia/Pacific** Tel: 81.44.844.8296 / Fax: 81.44.844.8298

Visit [www.macontech.com](http://www.macontech.com) for additional data sheets and product information.

*M/A-COM Technology Solutions Inc. and its affiliates reserve the right to make changes to the product(s) or information contained herein without notice.*