



Chipsmall Limited consists of a professional team with an average of over 10 year of expertise in the distribution of electronic components. Based in Hongkong, we have already established firm and mutual-benefit business relationships with customers from,Europe,America and south Asia,supplying obsolete and hard-to-find components to meet their specific needs.

With the principle of “Quality Parts,Customers Priority,Honest Operation,and Considerate Service”,our business mainly focus on the distribution of electronic components. Line cards we deal with include Microchip,ALPS,ROHM,Xilinx,Pulse,ON,Everlight and Freescale. Main products comprise IC,Modules,Potentiometer,IC Socket,Relay,Connector.Our parts cover such applications as commercial,industrial, and automotives areas.

We are looking forward to setting up business relationship with you and hope to provide you with the best service and solution. Let us make a better world for our industry!



Contact us

Tel: +86-755-8981 8866 Fax: +86-755-8427 6832

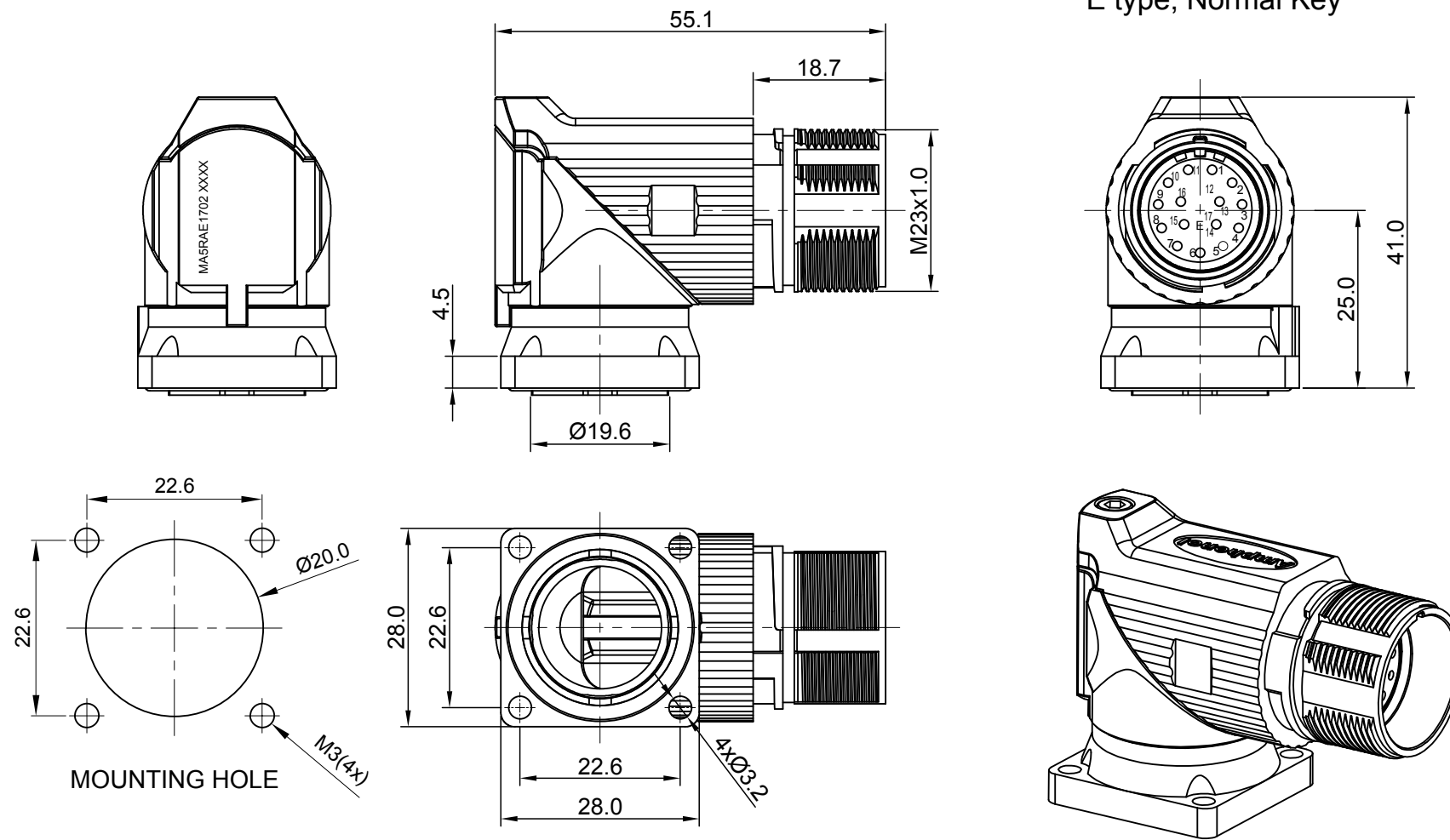
Email & Skype: info@chipsmall.com Web: www.chipsmall.com

Address: A1208, Overseas Decoration Building, #122 Zhenhua RD., Futian, Shenzhen, China



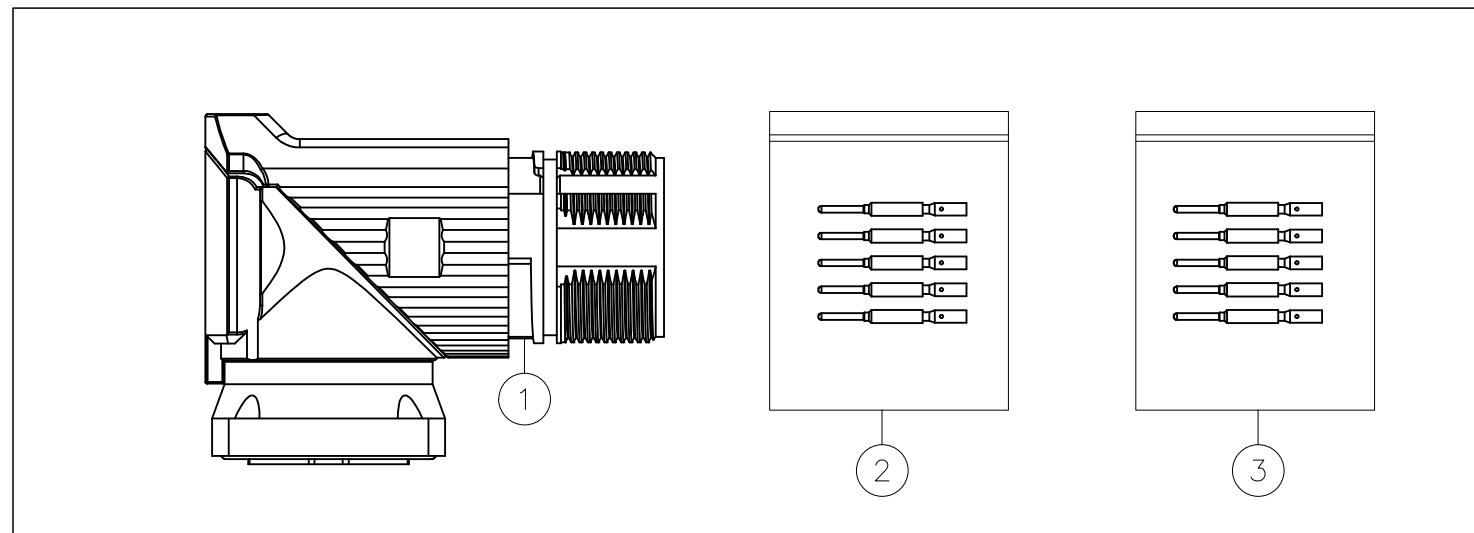
| REVISIONS | | | | | |
|-----------|-----|---------------|-------------|-------|-------|
| REV | ECO | DESCRIPTION | DATE | BY | APPR |
| A1 | - | FIRST RELEASE | Jan.12.2018 | White | Tommy |

E type, Normal Key



NOTES: UNLESS OTHERWISE SPECIFIED

- MATERIAL:
 - INSULATION INSERT: PA66,UL94 V0
 - SEAL: VITON
 - HOUSING BODY: ZINC DIE CAST, NICKEL PLATED
 - CONTACT: COPPER ALLOY, GOLD PLATED
- SPECIFICATIONS:
 - 2.1 CURRENT RATING: 9 AMPS
 - 2.2 VOLTAGE RATING: 125 V AC/DC
 - 2.3 OPERATING TEMPERATURE: -20°C TO +130°C
 - 2.4 DIELECTRIC WITHSTANDING VOLTAGE: LESS THAN 2 MILLIAMPS CURRENT LEAKAGE @ 2500 VOLTS AC.
 - 2.5 DEGREE OF PROTECTION: IP67 (MATED CONDITION)
 - 2.6 DEGREE OF POLLUTION: 3 PER UL840
 - 2.7 OVERVOLTAGE CATEGORY: III PER UL840
 - 2.8 MATING CYCLE DURABILITY: >500 CYCLES
 - 2.9 RoHS COMPLIANT
- ALL DIMENSIONS ARE FOR REFERENCE USE ONLY.



| QUANTITY | PART NUMBER | DESCRIPTION | ITEM |
|----------|-------------|--------------------------------------|------|
| 17 | SC000146 | CONTACT, PIN, Ø1.0mm ,Crimp 28~24AWG | 3 |
| 17 | SC000035 | CONTACT, PIN, Ø1.0mm, Crimp 22~18AWG | 2 |
| 1 | MA5RAE1702 | CONNECTOR | 1 |

| MATERIALS LIST | | | |
|--|------|----------------|----------|
| SIGNATURES | | DATE | |
| DRAWN: White | | Jan.12.2018 | |
| CHECKED: Tod | | Jan.12.2018 | |
| ENGINEER: | | | |
| APPROVAL: Tommy | | Jan.12.2018 | |
| MATERIAL SPECIFICATIONS: | | | |
| PROCESS SPECIFICATIONS: | | | |
| NEXT ASSY: | | | |
| UNLESS OTHERWISE SPECIFIED 1) All dimensions are in metric(mm). 2) Tolerances are as follows: 1 PL DEC ±0.30 Fractions ±1/64 2 PL DEC ±0.15 Angles ±1° 3 PL DEC ±0.08 | | | |
| 3) Note reference = | | | |
| <p>Sine Systems - www.amphenol-sine.com 44724 Morley Drive Clinton Township, MI 48036</p> | | | |
| KIT,M23A,REC.,RA,17P,E TYPE, CHECKMATE | | | |
| SIZE | TYPE | DWG NO: | REVISION |
| B | C- | MA5RAE1702-KIT | A1 |
| SCALE: NONE | | SHEET 1 OF 1 | |

TITLE: KIT,M23A,REC.,RA,17P,E TYPE, CHECKMATE
 DWG NO: MA5RAE1702-KIT
 REV: A1
 SH: 1
 OF: 1