



Chipsmall Limited consists of a professional team with an average of over 10 year of expertise in the distribution of electronic components. Based in Hongkong, we have already established firm and mutual-benefit business relationships with customers from,Europe,America and south Asia,supplying obsolete and hard-to-find components to meet their specific needs.

With the principle of “Quality Parts,Customers Priority,Honest Operation,and Considerate Service”,our business mainly focus on the distribution of electronic components. Line cards we deal with include Microchip,ALPS,ROHM,Xilinx,Pulse,ON,Everlight and Freescale. Main products comprise IC,Modules,Potentiometer,IC Socket,Relay,Connector.Our parts cover such applications as commercial,industrial, and automotives areas.

We are looking forward to setting up business relationship with you and hope to provide you with the best service and solution. Let us make a better world for our industry!



## Contact us

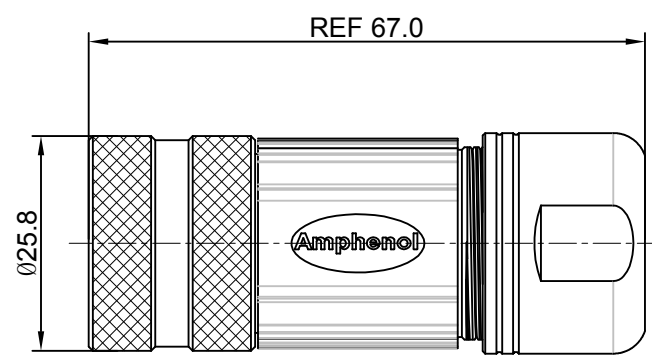
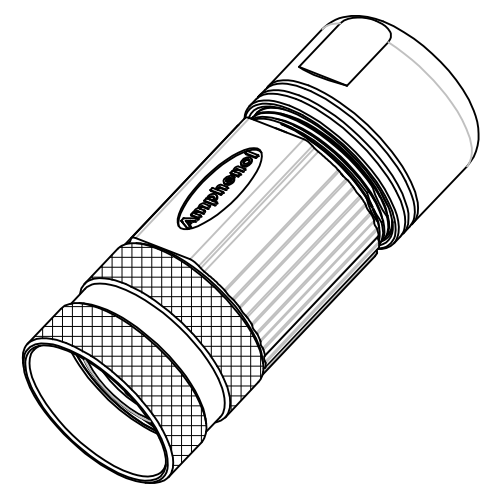
Tel: +86-755-8981 8866 Fax: +86-755-8427 6832

Email & Skype: info@chipsmall.com Web: www.chipsmall.com

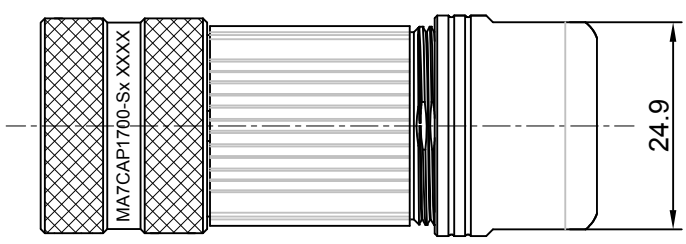
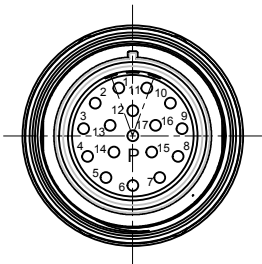
Address: A1208, Overseas Decoration Building, #122 Zhenhua RD., Futian, Shenzhen, China



REVISIONS					
REV	ECO	DESCRIPTION	DATE	BY	APPR
A1	-	FIRST RELEASE	Oct.30,2017	White	Tommy



P type, Normal Key  
(P型, 0转位角)

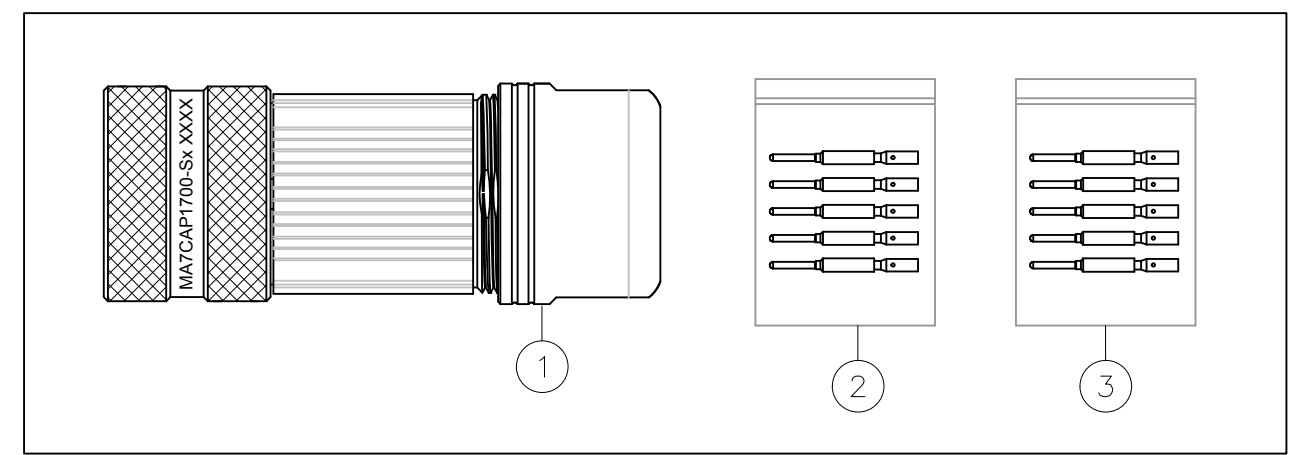


NOTES: UNLESS OTHERWISE SPECIFIED

- MATERIAL:  
INSULATION INSERT: PA66,UL94 V0  
SEAL: VITON, EPDM  
HOUSING BODY: ZINC DIE CAST, NICKEL PLATED  
COUPLING NUT: COPPER ALLOY, NICKEL PLATED  
CONTACT: COPPER ALLOY, GOLD PLATED
- SPECIFICATIONS:  
2.1 CURRENT RATING: 9 AMPS  
2.2 VOLTAGE RATING: 125 V AC/DC  
2.3 CONTACT RESISTANCE: <5 mOHMS  
2.4 OPERATING TEMPERATURE: -20°C TO +130°C  
2.5 DIELECTRIC WITHSTANDING VOLTAGE: LESS THAN 2 MILLIAMPS CURRENT LEAKAGE @ 2500 VOLTS AC.  
2.6 DEGREE OF PROTECTION: IP67 ( MATED CONDITION )  
2.7 DEGREE OF POLLUTION: 3 PER UL840  
2.8 OVERVOLTAGE CATEGORY: III PER UL840  
2.9 MATING CYCLE DURABILITY: >500 CYCLES  
2.10 RoHS COMPLIANT

3. ALL DIMENSIONS ARE FOR REFERENCE USE ONLY.

Item	Part number	Connector P/N	Cable OD Range
1	MA7CAP1700-S1-KIT	MA7CAP1700-S1	4.5~7.5 mm
2	MA7CAP1700-S2-KIT	MA7CAP1700-S2	7.5~11.0 mm
3	MA7CAP1700-S3-KIT	MA7CAP1700-S3	11.0~15.0 mm



17	SC000146	CONTACT, PIN, Ø1.0mm ,Crimp 28~24AWG	3
17	SC000035	CONTACT, PIN, Ø1.0mm, Crimp 22~18AWG	2
1	MA7CAP1700-Sx	CONNECTOR	1
QUANTITY	PART NUMBER	DESCRIPTION	ITEM

MATERIALS LIST			
UNLESS OTHERWISE SPECIFIED		SIGNATURES	DATE
1) All dimensions are in metric(mm).		DRAWN: White	Oct.30,17
2) Tolerances are as follows:		CHECKED: Tod	Oct.30,17
1 PL DEC ±0.30   Fractions ±1/64		ENGINEER:	
2 PL DEC ±0.15   Angles ±1°		APPROVAL: Tommy	Oct.30,17
3) Note reference = $\Delta$		CUSTOMER:	
MATERIAL SPECIFICATIONS:		THIS DRAWING IS SUPPLIED FOR INFORMATION ONLY. DESIGN FEATURES, SPECIFICATIONS AND PERFORMANCE DATA SHOWN HEREON ARE THE PROPERTY OF THE AMPHENOL CORPORATION. NO RIGHTS OF REPRODUCTION ARE IMPLIED. ALL DIMENSIONS ARE SUBJECT TO NORMAL MANUFACTURING VARIATIONS.	
PROCESS SPECIFICATIONS:		SCALE: NONE	
NEXT ASSY:		SHEET 1 OF 1	

# Amphenol

Sine Systems - www.amphenol-sine.com  
44724 Morley Drive  
Clinton Township, MI 48036

**KIT;M23A,PLUG,STR,17P,P TYPE**

SIZE	TYPE	DWG NO:	REVISION
B	C-	MA7CAP1700-Sx-KIT	A1

TITLE: KIT;M23A,PLUG,STR,17P,P TYPE

DWG NO: MA7CAP1700-Sx-KIT

REV: A1

SH: 1

OF: 1