



Chipsmall Limited consists of a professional team with an average of over 10 year of expertise in the distribution of electronic components. Based in Hongkong, we have already established firm and mutual-benefit business relationships with customers from,Europe,America and south Asia,supplying obsolete and hard-to-find components to meet their specific needs.

With the principle of “Quality Parts,Customers Priority,Honest Operation,and Considerate Service”,our business mainly focus on the distribution of electronic components. Line cards we deal with include Microchip,ALPS,ROHM,Xilinx,Pulse,ON,Everlight and Freescale. Main products comprise IC,Modules,Potentiometer,IC Socket,Relay,Connector.Our parts cover such applications as commercial,industrial, and automotives areas.

We are looking forward to setting up business relationship with you and hope to provide you with the best service and solution. Let us make a better world for our industry!



Contact us

Tel: +86-755-8981 8866 Fax: +86-755-8427 6832

Email & Skype: info@chipsmall.com Web: www.chipsmall.com

Address: A1208, Overseas Decoration Building, #122 Zhenhua RD., Futian, Shenzhen, China



Broadband CATV Single Ended 2-Way Active Splitter 50 - 1100 MHz

Rev. V1

Features

- 2-Way Splitter
- Single Ended Input and Outputs
- Single +3.3 Volt Supply
- 2.8 dB Gain
- +15 dBmV /Channel Input
- 4.5 dB Noise Figure
- Lead-Free 2 mm 8-Lead PDFN Package
- Halogen-Free “Green” Mold Compound
- RoHS* Compliant and 260°C Reflow Compatible

Description

The MAAM-009811 CATV 2-way active splitter is a GaAs MMIC which exhibits low noise figure and distortion in a lead-free 2mm 8-lead PDFN plastic package. The design features 75 Ω inputs and outputs.

The MAAM-009811 is ideally suited for multi-tuner set top boxes, home gateways, and other broadband internet based appliances.

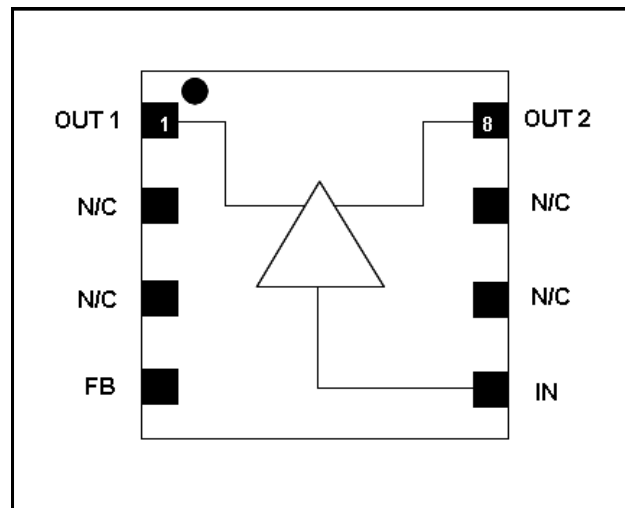
The MAAM-009811 is fabricated using M/A-COM Technology’s pHEMT process to realize low noise and low distortion. The process features full passivation for robust performance and reliability.

Ordering Information ^{1,2}

Part Number	Package
MAAM-009811-TR1000	1000 piece reel
MAAM-009811-TR3000	3000 piece reel
MAAM-009811-001SMB	Sample Test Board

1. Reference Application Note M513 for reel size information.
2. All sample boards include 5 loose parts.

Functional Schematic



Pin Configuration

Pin No.	Pin Name	Description
1	OUT1	RF Output 1
2	N/C	No Connection
3	N/C	No Connection
4	FB	Feedback/Bias
5	IN	RF Input
6	N/C	No Connection
7	N/C	No Connection
8	OUT2	RF Output 2
9	Paddle ³	RF and DC Ground

3. The exposed pad centered on the package bottom must be connected to RF and DC ground.

* Restrictions on Hazardous Substances, European Union Directive 2002/95/EC.

Broadband CATV Single Ended 2-Way Active Splitter 50 - 1100 MHz

Rev. V1

Electrical Specifications: Freq. = 1000 MHz, T_A = 25°C, V_{DD} = +3.3 Volts, Z₀ = 75 Ω

Parameter	Test Conditions	Units	Min.	Typ.	Max.
Gain	IN to OUT1, IN to OUT2	dB	1.5	2.8	3.5
Gain Flatness	IN to OUT1, IN to OUT2	dB	—	0.6	—
Noise Figure	IN to OUT1, IN to OUT2	dB	—	4.5	—
Input Return Loss	IN	dB	—	12	—
Output Return Loss	OUT1, OUT2	dB	—	10	—
Composite Triple Beat, CTB	132 channels, +15 dBmV/channel at the input	dBc	—	-65	—
Composite Second Order, CSO	132 channels, +15 dBmV/channel at the input	dBc	—	-55	—
Reverse Isolation	OUT1 to IN, OUT2 to IN	dB	—	29	—
Output to Output Isolation	OUT1 to OUT2	dB	—	22	—
Output Power at 1dB Compression, P1dB	IN to OUT1, IN to OUT2	dBm	—	4	—
Output 3rd Order Intercept Point, OIP3	500 MHz, 2-tone, 6 MHz spacing, -15 dBm Pout IN to OUT1, IN to OUT2	dBm	—	20	—
Output 2nd Order Intercept Point, OIP2	500 MHz, 2-tone, 6 MHz spacing, -15 dBm Pout IN to OUT1, IN to OUT2	mA	—	35	—
I _{DD}	V _{DD} = +3.3 Volts	mA	—	90	120

Absolute Maximum Ratings ^{4,5,6}

Parameter	Absolute Maximum
RF Input Power	12 dBm
Voltage	10.0 volts
Operating Temperature	-20°C to +85°C
Junction Temperature ⁷	+150°C
Storage Temperature	-65°C to +150°C

- Exceeding any one or combination of these limits may cause permanent damage to this device.
- M/A-COM does not recommend sustained operation near these survivability limits.
- These operating conditions will ensure MTTF > 1 x 10⁶ hours.
- Junction Temperature (T_J) = T_C + Θ_{JC} * (V * I)
Typical thermal resistance (Θ_{JC}) = 101° C/W.
 - For T_C = 25°C,
T_J = 65°C @ 3.3 V, 120 mA
 - For T_C = 85°C,
T_J = 123 °C @ 3.3 V, 115 mA

Handling Procedures

Please observe the following precautions to avoid damage:

Static Sensitivity

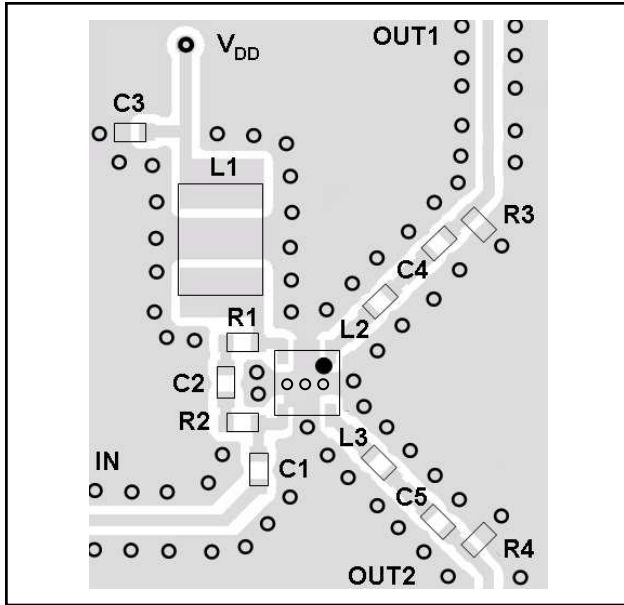
Gallium Arsenide Integrated Circuits are sensitive to electrostatic discharge (ESD) and can be damaged by static electricity. Proper ESD control techniques should be used when handling these devices. An external protection circuit using an inexpensive anti-parallel diode pair can be used to protect the IC.

Please reference application note AN3028 on <http://www.macomtech.com> for further detail.

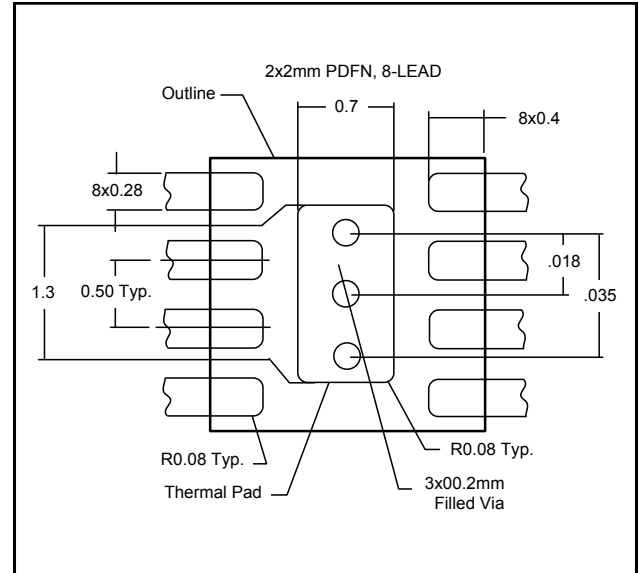
Broadband CATV Single Ended 2-Way Active Splitter 50 - 1100 MHz

Rev. V1

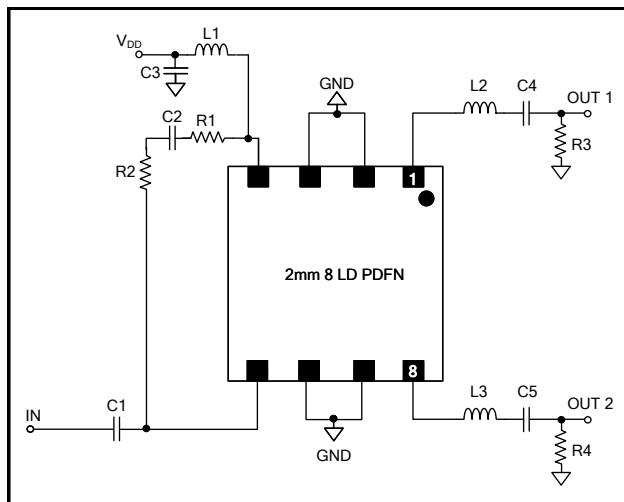
Recommended PCB



PCB Land Pattern



Schematic Including Off-Chip Components⁸



8. The exposed pad centered on the package bottom must be connected to ground for RF, DC and thermal considerations.

Off-Chip Component Values⁹

Component	Value	Package
C1 - C5	0.01 μ F	0402
L1 ⁹	1 μ H	1210
L2, L3	10 nH	0402
R1, R2	240 Ω	0402
R3, R4	300 Ω	0402

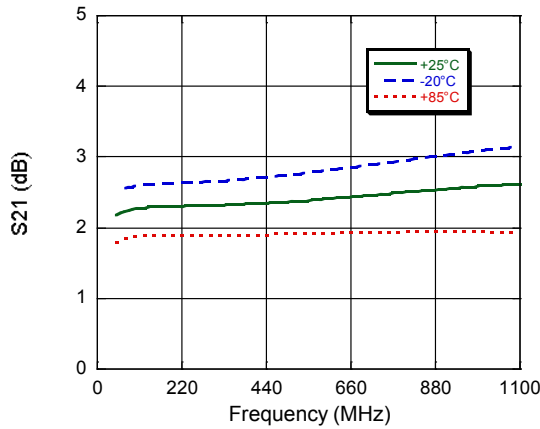
9. L1 supplied from EPCOS, part number B82422A1102K100

Broadband CATV Single Ended 2-Way Active Splitter 50 - 1100 MHz

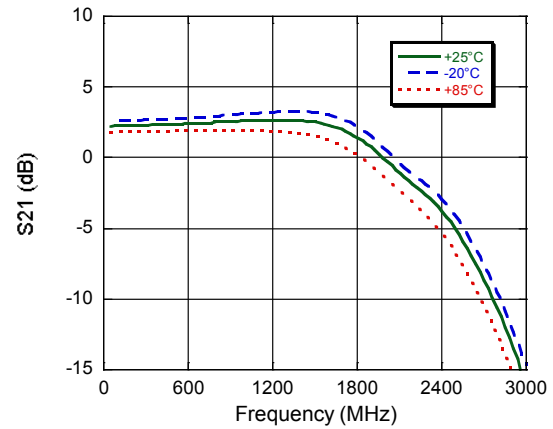
Rev. V1

Typical Performance Curves

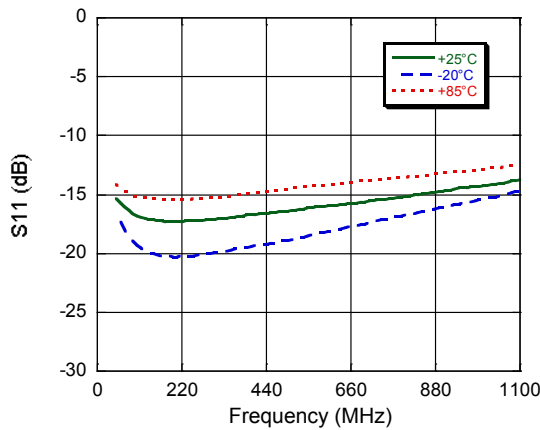
Gain to 1100 MHz



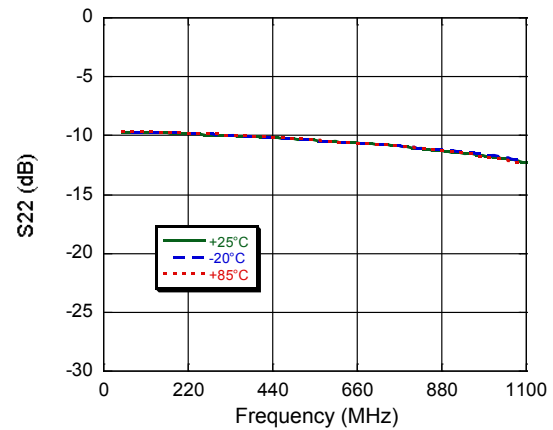
Gain to 3000 MHz



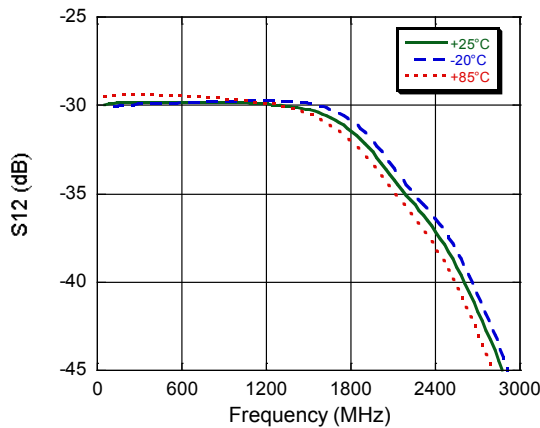
Input Return Loss



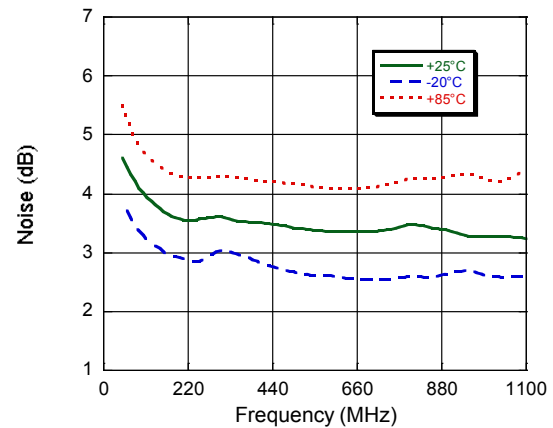
Output Return Loss



Reverse Isolation to 3 GHz



Noise Figure

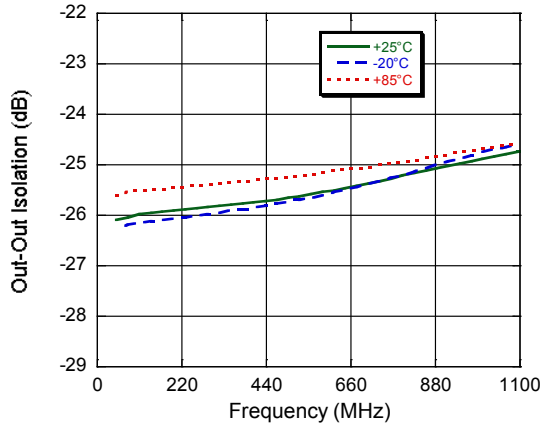


Broadband CATV Single Ended 2-Way Active Splitter 50 - 1100 MHz

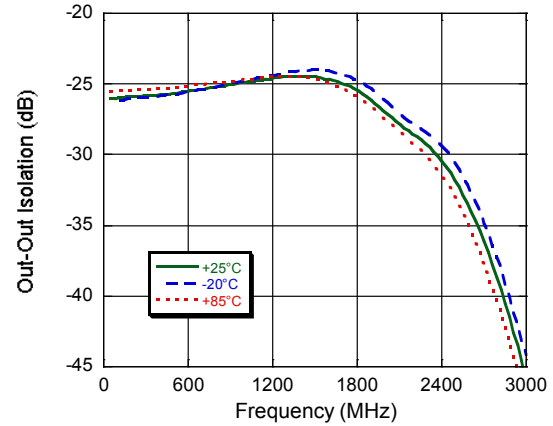
Rev. V1

Typical Performance Curves

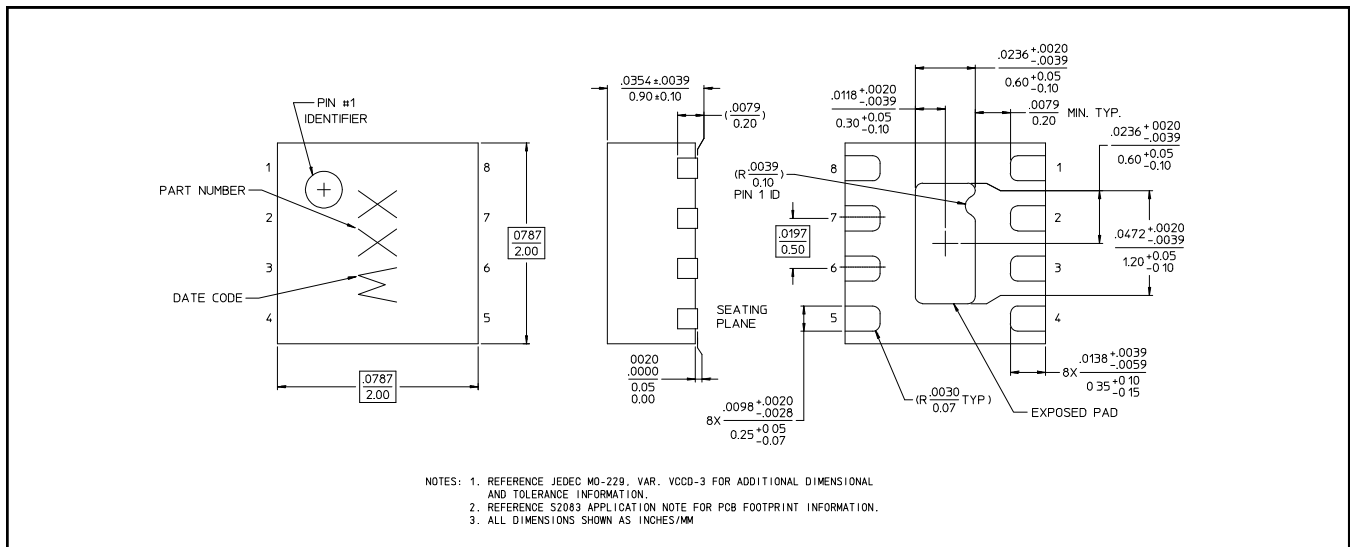
Out to Out Isolation to 1 GHz



Out to Out Isolation to 3 GHz



Lead-Free 2 mm 8-Lead PDFN†



† Reference Application Note M538 for lead-free solder reflow recommendations.
 Meets JEDEC moisture sensitivity level 1 requirements.
 Plating is 100% matte tin over copper.

M/A-COM Technology Solutions Inc. All rights reserved.

Information in this document is provided in connection with M/A-COM Technology Solutions Inc ("MACOM") products. These materials are provided by MACOM as a service to its customers and may be used for informational purposes only. Except as provided in MACOM's Terms and Conditions of Sale for such products or in any separate agreement related to this document, MACOM assumes no liability whatsoever. MACOM assumes no responsibility for errors or omissions in these materials. MACOM may make changes to specifications and product descriptions at any time, without notice. MACOM makes no commitment to update the information and shall have no responsibility whatsoever for conflicts or incompatibilities arising from future changes to its specifications and product descriptions. No license, express or implied, by estoppel or otherwise, to any intellectual property rights is granted by this document.

THESE MATERIALS ARE PROVIDED "AS IS" WITHOUT WARRANTY OF ANY KIND, EITHER EXPRESS OR IMPLIED, RELATING TO SALE AND/OR USE OF MACOM PRODUCTS INCLUDING LIABILITY OR WARRANTIES RELATING TO FITNESS FOR A PARTICULAR PURPOSE, CONSEQUENTIAL OR INCIDENTAL DAMAGES, MERCHANTABILITY, OR INFRINGEMENT OF ANY PATENT, COPYRIGHT OR OTHER INTELLECTUAL PROPERTY RIGHT. MACOM FURTHER DOES NOT WARRANT THE ACCURACY OR COMPLETENESS OF THE INFORMATION, TEXT, GRAPHICS OR OTHER ITEMS CONTAINED WITHIN THESE MATERIALS. MACOM SHALL NOT BE LIABLE FOR ANY SPECIAL, INDIRECT, INCIDENTAL, OR CONSEQUENTIAL DAMAGES, INCLUDING WITHOUT LIMITATION, LOST REVENUES OR LOST PROFITS, WHICH MAY RESULT FROM THE USE OF THESE MATERIALS.

MACOM products are not intended for use in medical, lifesaving or life sustaining applications. MACOM customers using or selling MACOM products for use in such applications do so at their own risk and agree to fully indemnify MACOM for any damages resulting from such improper use or sale.