



Chipsmall Limited consists of a professional team with an average of over 10 year of expertise in the distribution of electronic components. Based in Hongkong, we have already established firm and mutual-benefit business relationships with customers from,Europe,America and south Asia,supplying obsolete and hard-to-find components to meet their specific needs.

With the principle of “Quality Parts,Customers Priority,Honest Operation,and Considerate Service”,our business mainly focus on the distribution of electronic components. Line cards we deal with include Microchip,ALPS,ROHM,Xilinx,Pulse,ON,Everlight and Freescale. Main products comprise IC,Modules,Potentiometer,IC Socket,Relay,Connector.Our parts cover such applications as commercial,industrial, and automotives areas.

We are looking forward to setting up business relationship with you and hope to provide you with the best service and solution. Let us make a better world for our industry!



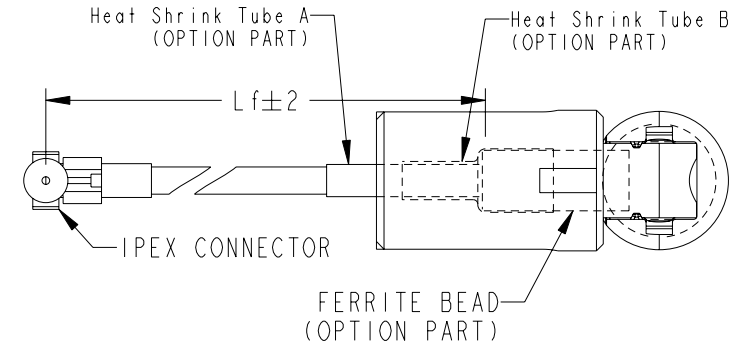
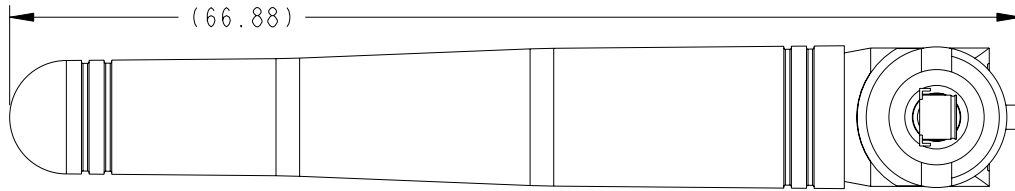
## Contact us

Tel: +86-755-8981 8866 Fax: +86-755-8427 6832

Email & Skype: info@chipsmall.com Web: www.chipsmall.com

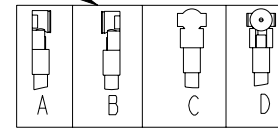
Address: A1208, Overseas Decoration Building, #122 Zhenhua RD., Futian, Shenzhen, China





FREQUENCY	2.4~2.5GHz 4.9~6.0GHz
IMPEDANCE	50ohms
VSWR	<2.0:1

CONNECTOR ORIENTATION  
THIS VIEW SHOWS TYPE "A"  
ORIENTATION IPEX CONNECTOR



□  $\varnothing 9.30^{+0.10}_0$

□ Lc

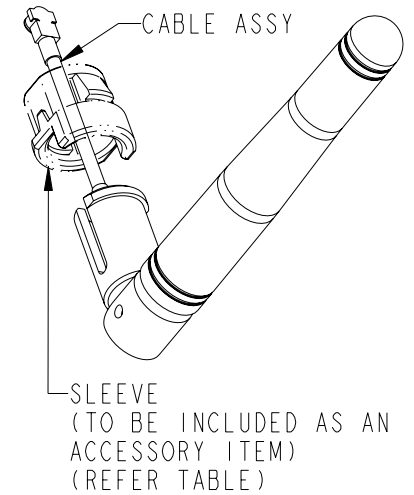
9.00<sub>-0.10</sub>

(23.35)

**APPROVED**

∅ 7.5

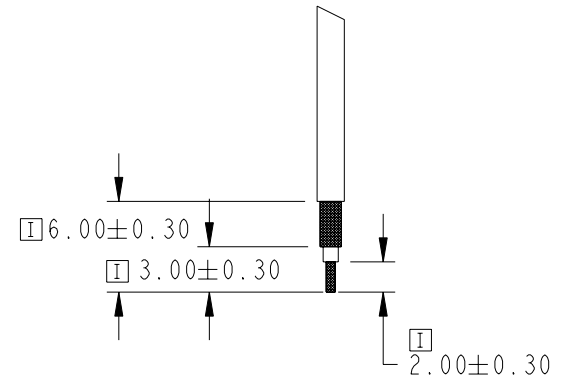
(80.00 )





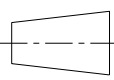
TOLERANCE (UNLESS STATED)	X = ±0.3 XX = ±0.13 ANGULAR = ± 30'	SYM	ECO/DESCRIPTION	DATE	CK	APP	 ANTENNA SBU PENANG, MALAYSIA	DRAWN BY: TL KHOO			
		(F01)	ECO-00358	14/2/08	CHIN	FONG			CHECKED BY: GJ CHIN		
- PRODUCT & PROCESS MUST COMPLY TO LT-GES - MISSING INFORMATION REFER TO 3D DATA - DIMENSIONS ARE IN MILLIMETERS UNLESS STATED OTHERWISE - THIS DRAWING WAS GENERATED VIA PRO/ENGINEER - PRINT NOT TO SCALE		(F02)	ECO-00556	28/7/09	CHIN	FONG	<small>CONFIDENTIAL</small> <small>THE INFORMATION CONTAINED IN THIS DOCUMENT IS OF PROPRIETARY NATURE. IT MAY NOT BE REPRODUCED OR USED WITHOUT EXPRESS WRITTEN PERMISSION OF LAIRD TECHNOLOGIES, ANTENNA SBU</small>	DWG. NO. : MAF94382	PG.	REV	
		(F03)	ECO=00755	25/10/10	CHIN	TEOH			1/4	F03	
									DESCRIPTION: PANGKOR MULTIBAND SNAP IN MASTER PRINT	MATERIAL: N/A	
							© 2006 LAIRD TECHNOLOGIES	PROJECT NO. R.T TABLE	DATE: 14/2/08	SCALE: NTS	UNITS: MM

No	FG NO.-REV	REV	Description	Project#	Assy-Cable	Type of	Lc/±5	Connector	Type	Connector Orientation	Lf1±2	Ferrite Bead	Sleeve	SYM
1	MAF94016	C1	PANGKOR WLAN	CWC0028	MAP40011	Ø1.78	130	MAP30102	IPEX	A	N/A	N/A	N/A	F02
2	MAF94035	C1	PANGKOR WLAN FL	CWC0028	MAP40010	Ø1.78	130	N/A	N/A	N/A	N/A	N/A	N/A	F02
3	MAF94062	C1	PANGKOR WLAN ANTENNA (D1.13 COAX CABLE,I-PEX)	CWC0028	MAP40016	Ø1.13	130	MAP30105	IPEX	A	N/A	N/A	MAP44002	F02
4	MAF94224	C1	PANGKOR WLAN	CWC0099	MAP40079	Ø1.78	100	MAP30102	IPEX	A	N/A	N/A	N/A	F02
5	MAF94381	C2	PANGKOR Ø1.13 130 FB	CWC0028	MAP40400	Ø1.13	130	MAP30105	IPEX	A	133	MAP58006	MAP44002	F03

**APPROVED**



FLYING LEAD STRIPPING LENGHT

TOLERANCE (UNLESS STATED)	X = ±0.3 XX = ±0.13 ANGULAR = ± 30'	SYM	ECO/DESCRIPTION	DATE	CK	APP	 LAIRD TECHNOLOGIES ANTENNA SBU PENANG, MALAYSIA	DRAWN BY: TL KHOO	 		
- PRODUCT & PROCESS MUST COMPLY TO LT-GES - MISSING INFORMATION REFER TO 3D DATA - DIMENSIONS ARE IN MILLIMETERS UNLESS STATED OTHERWISE - THIS DRAWING WAS GENERATED VIA PRO/ENGINEER - PRINT NOT TO SCALE								CHECKED BY: GJ CHIN		DWG. NO. : MAF94382	PG. 2/4
							DESCRIPTION: PANGKOR MULTIBAND SNAP IN MASTER PRINT		MATERIAL: N/A		
							© 2006 LAIRD TECHNOLOGIES	PROJECT NO. R.T TABLE	DATE: 14/2/08	SCALE: NTS	UNITS: MM