



Chipsmall Limited consists of a professional team with an average of over 10 year of expertise in the distribution of electronic components. Based in Hongkong, we have already established firm and mutual-benefit business relationships with customers from,Europe,America and south Asia,supplying obsolete and hard-to-find components to meet their specific needs.

With the principle of “Quality Parts,Customers Priority,Honest Operation,and Considerate Service”,our business mainly focus on the distribution of electronic components. Line cards we deal with include Microchip,ALPS,ROHM,Xilinx,Pulse,ON,Everlight and Freescale. Main products comprise IC,Modules,Potentiometer,IC Socket,Relay,Connector.Our parts cover such applications as commercial,industrial, and automotives areas.

We are looking forward to setting up business relationship with you and hope to provide you with the best service and solution. Let us make a better world for our industry!



## Contact us

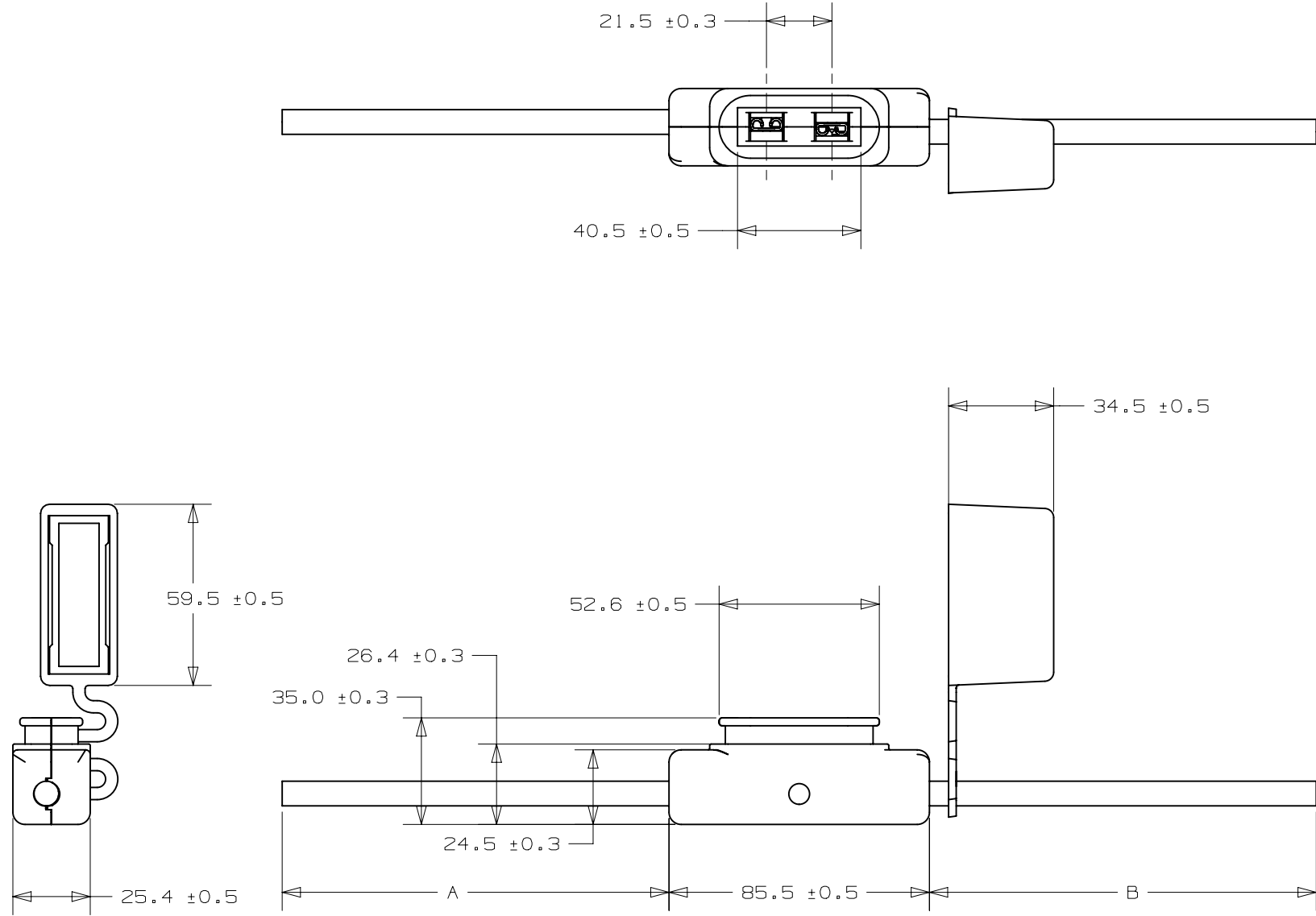
Tel: +86-755-8981 8866 Fax: +86-755-8427 6832

Email & Skype: info@chipsmall.com Web: www.chipsmall.com

Address: A1208, Overseas Decoration Building, #122 Zhenhua RD., Futian, Shenzhen, China



PART NUMBER	"A"	"B"	LEAD "A" COLOR	LEAD "B" COLOR
MAHC0001ZXJ	127.0 ±5.0	127.0 ±5.0	BLACK	BLACK



GENERAL NOTES:

- COVER TETHER IS SLID ON EITHER WIRE LEAD, UP TO THE BODY.
- FUSEHOLDER IS SHIPPED WITH COVER SNAPPED ONTO BODY.
- RATING: MAX. 60A, 32 VDC AT A MAX. OPERATING TEMP OF 80°C.
- INSULATING BODY: BLACK/PC
- INSULATING COVER: BLACK/TPV
- WIRE: 6AWG, UL 3288, 150°C RATED

**METRIC**  
ASSEMBLY

UNLESS OTHERWISE SPECIFIED, DIMENSIONS ARE IN MILLIMETERS. DIMENSIONS IN BRACKETS [ ] ARE INCHES
UNLESS OTHERWISE SPECIFIED, DIMENSIONS DO NOT INCLUDE PLATING.
⊙ DENOTES CRITICAL CHARACTERISTICS.
CPK DENOTES CPK DIMENSIONS, -MINIMUM CPK VALUE
ST DENOTES A CHARACTERISTIC THAT PROVIDES AN INDICATION OF PROCESS PERFORMANCE. PROCEDURE FOR MEASUREMENT AND TRACKING TO BE DEFINED IN LITTELFUSE INSPECTION INSTRUCTIONS
CP DENOTES CP DIMENSIONS, -MINIMUM CP VALUE MUST BE WITHIN THE DIMENSIONAL LIMITATIONS SHOWN ON DRAWING AND INITIALLY LOCATED TO ALLOW FOR MAXIMUM TOOL LIFE

NO	COMPONENT NO	DESCRIPTION	QTY/M	U/M
BILL OF MATERIAL				

COPIES TO		MATERIAL SPEC	
1	9	FINISH	
2	10	DRW	DATE 09/16/14
3	12	FYUE	SCALE 1:2
4	13	CHK	DATE
5	14	APPD	DATE
6	15	FINISH GOOD WT	
7	16	GRAMS/PIECE	
8	17	TOLERANCES UNLESS OTHERWISE SPECIFIED (REF. ISO 2768-mk)	
18	19	DIMENSION	UP TO OVER UP TO OVER UP TO OVER
19	20	0.5 - 3	3 - 6 6 - 30 30 - 120 120 - 400
20	21	TOLERANCE	+0.1 ±0.1 ±0.2 ±0.3 ±0.5
21	22	3RD ANGLE PROJECTION	
22	23	TITLE	
23	24	HOLDER, MAXI INLINE WITH COVER	
24	25	LITTELFUSE	
25	26	DES. PLAINES, ILLINOIS 60016	
26	27	REVISION	DRWG. NO.
27	28	A	A
28	29	DATE	MAHC0001ZXJ
29	30	09/16/14	OUTLINE
30	31	REVISION	
31	32	511021ERA-NEW RELEASE	
32	33	FYUE	
33	34	CHK	
34	35	APD	