



Chipsmall Limited consists of a professional team with an average of over 10 year of expertise in the distribution of electronic components. Based in Hongkong, we have already established firm and mutual-benefit business relationships with customers from,Europe,America and south Asia,supplying obsolete and hard-to-find components to meet their specific needs.

With the principle of “Quality Parts,Customers Priority,Honest Operation,and Considerate Service”,our business mainly focus on the distribution of electronic components. Line cards we deal with include Microchip,ALPS,ROHM,Xilinx,Pulse,ON,Everlight and Freescale. Main products comprise IC,Modules,Potentiometer,IC Socket,Relay,Connector.Our parts cover such applications as commercial,industrial, and automotives areas.

We are looking forward to setting up business relationship with you and hope to provide you with the best service and solution. Let us make a better world for our industry!



## Contact us

Tel: +86-755-8981 8866 Fax: +86-755-8427 6832

Email & Skype: info@chipsmall.com Web: www.chipsmall.com

Address: A1208, Overseas Decoration Building, #122 Zhenhua RD., Futian, Shenzhen, China



## 2 way 90 degree power splitter 5 - 250 MHz

Rev. V2

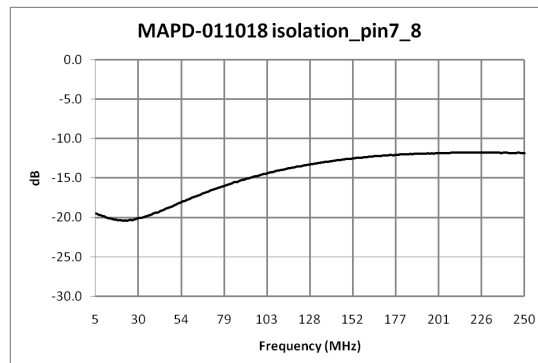
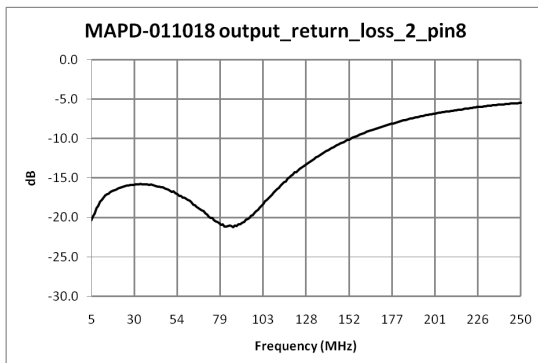
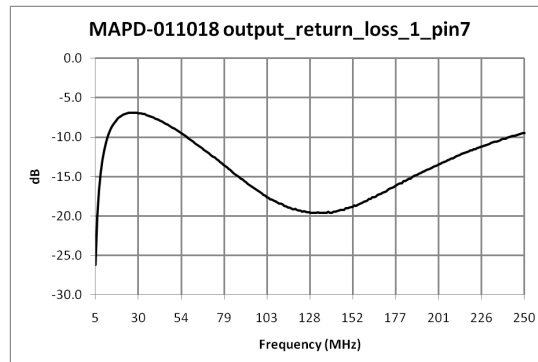
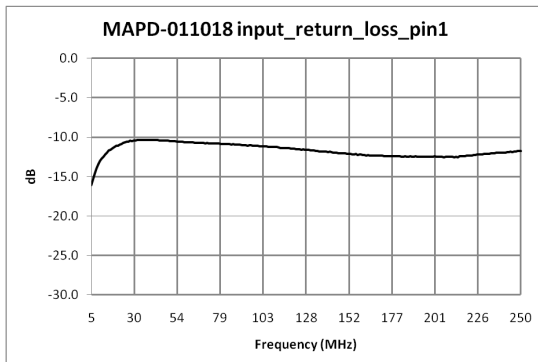
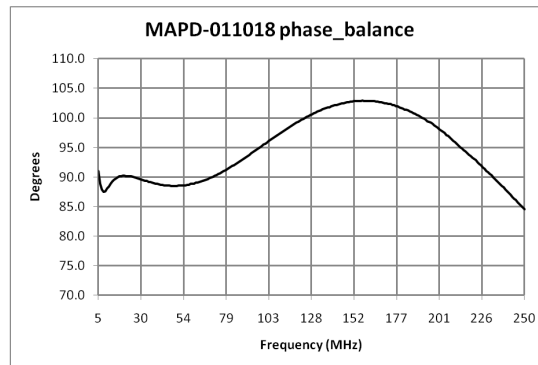
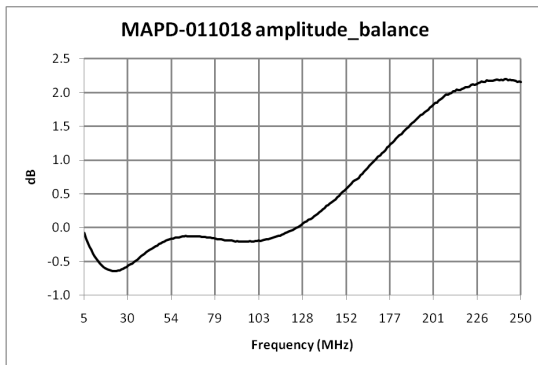
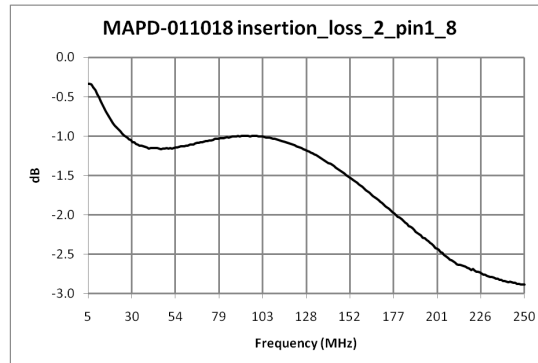
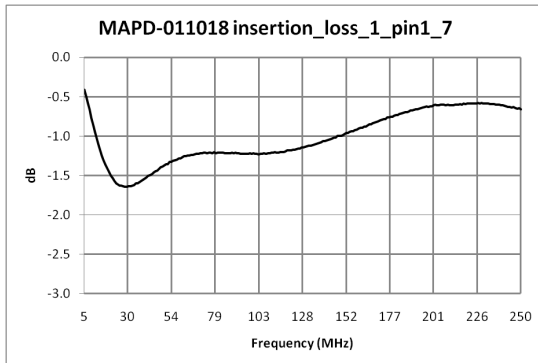
### Features

- 2 way 90 degree
- Surface mount
- Available on tape and reel
- 260°C reflow compatible
- RoHS Compliant, lead-free
- Excellent temperature stability
- Suitable for all CATV, Broadband and FTTx applications.



### Electrical Specifications: $Z_0 = 75\Omega$ , $T_A = 25^\circ\text{C}$ , $P_{in} = 0\text{dBm}$

Parameter	Conditions	Units	Min	Typ	Max
Frequency Range		MHz	5		250
Impedance		$\Omega$		75	
Insertion Loss (Pin1 - Pin7)	5 - 85 MHz	dB	-	1.5	1.9
	85 - 250 MHz	dB	-	1.2	1.9
Insertion Loss (Pin1 - Pin8)	5 - 85 MHz	dB	-	1.16	1.4
	85 - 250 MHz	dB	-	1.02	3.5
Amplitude Balance	5 - 85 MHz	dB	-	0.4	$\pm 0.8$
	85 - 250 MHz	dB	-	0.2	$\pm 2.9$
Phase Balance	5 - 85 MHz	$^\circ$	-	90.0	$\pm 3$
	85 - 100 MHz	$^\circ$	-	94.3	$\pm 9$
	100 - 250MHz	$^\circ$	-	101.8	$\pm 17$
Input Return Loss (Pin1)	5 - 85 MHz	dB	9	10.3	-
	85 - 250 MHz	dB	9	11.1	-
Output Return Loss (Pin7)	5 - 85 MHz	dB	6	7.7	-
	85 - 250 MHz	dB	6	16.9	-
Output Return Loss (Pin8)	5 - 85 MHz	dB	14	16.2	-
	85 - 250 MHz	dB	4	20.5	-
Isolation (Pin7 - Pin8)	5 - 85 MHz	dB	15	19.4	-
	85 - 250 MHz	dB	10	17.9	-

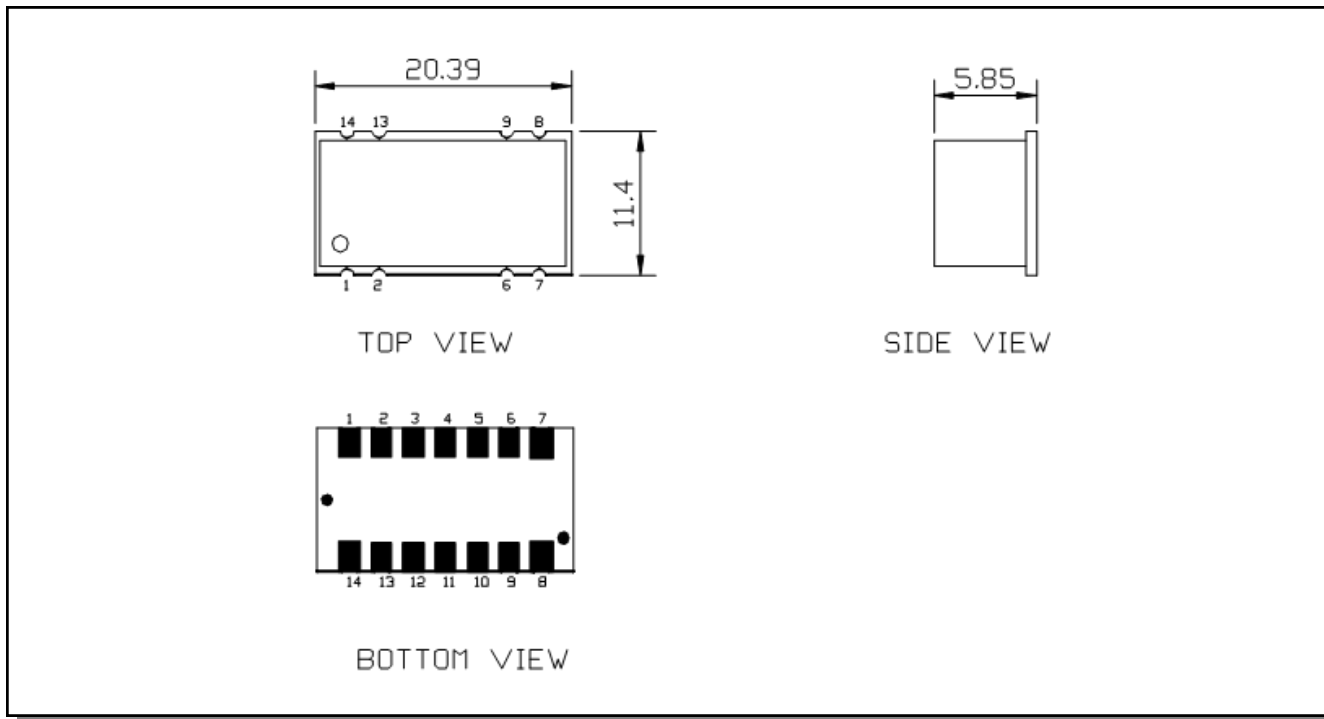


Electrical Specifications:  $Z_0 = 75\Omega$ ,  $T_A = 25^\circ\text{C}$ ,  $P_{in} = 0\text{dBm}$

## 2 way 90 degree power splitter 5 - 250 MHz

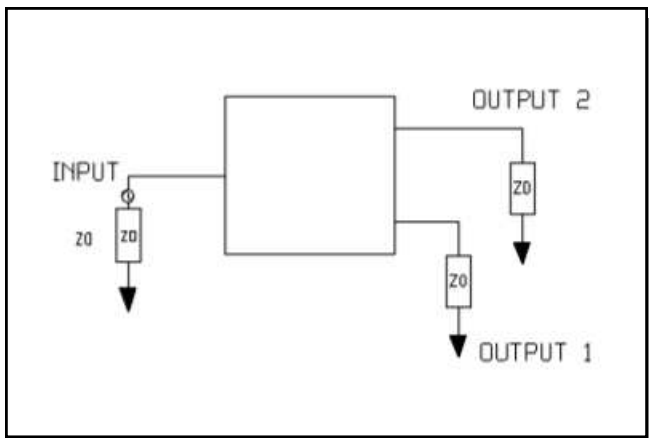
Rev. V2

### Outline Drawing

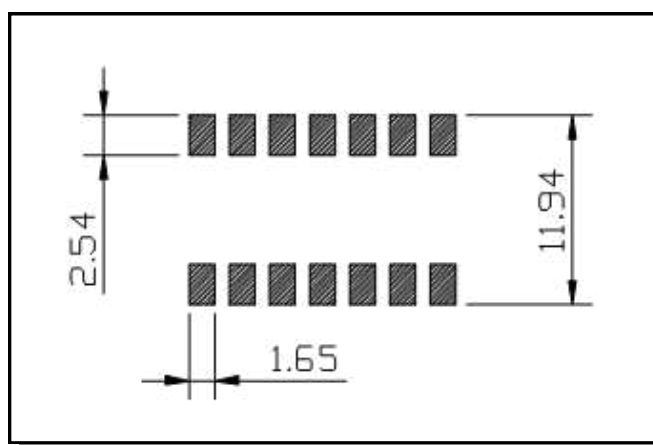


1. Dimensions in mm.
2. Tolerance:  $\pm 0.2\text{mm}$  unless otherwise noted.
3. Model number and lot code are printed on the reel.
4. Plating finish: ENIG

### Recommended



### Recommended Footprint





**2 way 90 degree power splitter**  
**5 - 250 MHz**

Rev. V2

## Tape & Reel Information

Parameter	Units	Value
Qty per reel	-	400
Reel Size	mm	330
Tape Width	mm	44.00
Pitch	mm	20.00
Ao	mm	21.00
Bo	mm	12.00
Ko	mm	6.40
Orientation	-	F30
Reference Application Note ANI-019 for orientation		

## Ordering Information

Part Number	Description
MAPD-011018	Tape & Reel
MAPD-011018-TB	Customer Evaluation Board

## Recommended Maximum Ratings

Parameter	Units	Min	Max
Input Power	mW		250
DC Current	mA		200
Operating Temperature Range	°C	-40	+85

Full temperature plots available on request

## Pin Configuration

Pin No.	Function
1	Input
7	Output 1
8	Output 2
2,3,4,5,6	Ground
9,10,11,12,13,14	Ground

## Schematic

