



Chipsmall Limited consists of a professional team with an average of over 10 year of expertise in the distribution of electronic components. Based in Hongkong, we have already established firm and mutual-benefit business relationships with customers from,Europe,America and south Asia,supplying obsolete and hard-to-find components to meet their specific needs.

With the principle of “Quality Parts,Customers Priority,Honest Operation,and Considerate Service”,our business mainly focus on the distribution of electronic components. Line cards we deal with include Microchip,ALPS,ROHM,Xilinx,Pulse,ON,Everlight and Freescale. Main products comprise IC,Modules,Potentiometer,IC Socket,Relay,Connector.Our parts cover such applications as commercial,industrial, and automotives areas.

We are looking forward to setting up business relationship with you and hope to provide you with the best service and solution. Let us make a better world for our industry!



## Contact us

Tel: +86-755-8981 8866 Fax: +86-755-8427 6832

Email & Skype: info@chipsmall.com Web: www.chipsmall.com

Address: A1208, Overseas Decoration Building, #122 Zhenhua RD., Futian, Shenzhen, China



## SPDT Switch & Limiter 2.7 - 3.5 GHz

Rev. V3

### Features

- 125 W CW T<sub>x</sub> Input Power Handling @ 85°C Baseplate
- Integrates SP2T & Limiter Function
- Low T<sub>x</sub> and R<sub>x</sub> Insertion Loss
- High Isolation on Receive Path
- 10 dBm R<sub>x</sub> Flat Leakage
- Operates from +/-5 V & +30 V
- Ultra Fast Recovery Time <100 ns
- Surface Mount 7 mm 32-lead HQFN JEDEC MSL1 Package
- RoHS\* Compliant and 260°C Reflow Compatible

### Description

The MASL-011023 is a plastic packaged high power switch-limiter with integrated bias networks. This surface mount, small configuration is designed with minimal parasitics usually associated with hybrid MIC designs incorporating beam lead and/or bondable PIN diodes that require chip and wire assembly. This standard HQFN enables reliable, repeatable high volume manufacturing with MACOMs' design techniques to maximize heat dissipation in a plastic package.

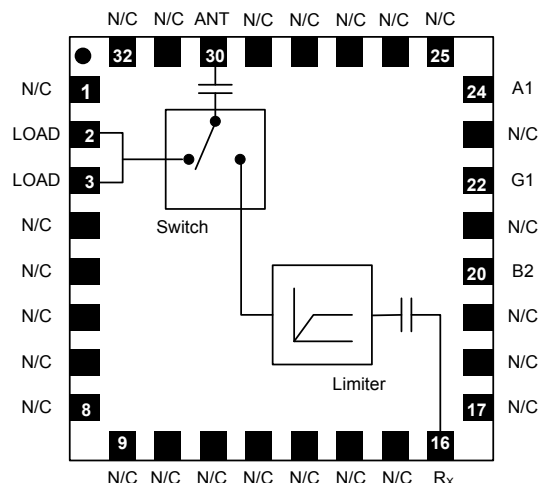
This SP2T switch-limiter is designed to optimize Ant to R<sub>x</sub> loss and handle +51 dBm CW through the T<sub>x</sub> path to an external high power 50 Ω termination. This device incorporates a high power SP2T switch, a limiter function, and a fully integrated RF & DC bias network.

The MASL-011023 is designed to be used in 2.7 - 3.5 GHz higher power switch applications that require high volume, surface mount, solder reflow manufacturing. It is RoHS compliant, durable, reliable and capable of meeting all military, commercial, and industrial environments.

### Ordering Information

Part Number	Package
MASL-011023	Bulk Packaging
MASL-011023-TR0500	500 piece reel
MASL-011023-001SMB	Sample Board

### Functional Block Diagram



### Pin Configuration

Pin No.	Pin Name	Description
1	N/C	No Connection
2	LOAD	T <sub>x</sub> Port
3	LOAD	T <sub>x</sub> Port
4 - 15	N/C	No Connection
16	R <sub>x</sub>	R <sub>x</sub> Port
17 - 19	N/C	No Connection
20	B2	Bias
21	N/C	No Connection
22	G1	Ground
23	N/C	No Connection
24	A1	No Connection
25 - 29	N/C	No Connection
30	ANT	Antenna
31, 32	N/C	No Connection
33 <sup>1</sup>	Ground Paddle	

1. The exposed pad centered on the package bottom must be connected to RF, DC and thermal ground.

\* Restrictions on Hazardous Substances, European Union Directive 2002/95/EC.

**Electrical Specifications: Freq: 2.7 - 3.5 GHz,  $T_A = +25^\circ\text{C}$ ,  $P_{IN} = -10\text{ dBm}$ ,  $Z_0 = 50\ \Omega$**

Parameter	Condition	Units	Min.	Typ.	Max.
Insertion Loss	R <sub>X</sub> Mode T <sub>X</sub> Mode 1	dB	—	0.85 0.25	1.5 —
Isolation	R <sub>X</sub> Mode T <sub>X</sub> Mode 1	dB	25 —	30 17	—
Return Loss	ANT & R <sub>X</sub> ports, R <sub>X</sub> Mode ANT & T <sub>X</sub> ports, T <sub>X</sub> Mode 1	dB	—	14 14	—
CW Input Power, ANT port	T <sub>X</sub> Mode 1 R <sub>X</sub> Mode all Driver Conditions, also un-biased	dBm	—	51 33 33	—
T <sub>X</sub> P0.1dB Compression	T <sub>X</sub> Mode 1	dBm	—	51	—
Flat Leakage	33 dBm Pin, R <sub>X</sub> Mode	dBm	—	10	—
R <sub>X</sub> Leakage	51 dBm Pin, T <sub>X</sub> Mode 1	dBm	—	7	—
Switching Time <sup>2</sup>	50% TTL Control to 90% RF Voltage	ns	—	700	—
Limiter Recovery Time to Final Insertion Loss	Pin <+33 dBm to -10 dBm, 300 μs pulse, 50% duty cycle, R <sub>X</sub> Mode	ns	—	<100	—
Spike Leakage	300 μs pulse, 50% duty cycle, R <sub>X</sub> Mode	ergs	—	<0.1	—

2. Actual results are driver-dependent.

## Absolute Maximum Ratings<sup>3,4,5</sup>

Parameter	Absolute Maximum
Operating Temperature	-55°C to +85°C
Storage Temperature	-65°C to +150°C
Junction Temperature <sup>6</sup>	+175°C
Applied Reverse Voltage	100 V
T <sub>X</sub> RF CW Incident Power	125 W @ +85°C
T <sub>X</sub> Bias Current +25°C	150 mA

- Exceeding any one or combination of these limits may cause permanent damage to this device.
- MACOM does not recommend sustained operation near these survivability limits.
- Operating at nominal conditions with T<sub>J</sub> ≤ +175°C will ensure MTTF > 1 x 10<sup>6</sup> hours.
- T<sub>X</sub> path typical thermal resistance (Θ<sub>Jc</sub>) = 12.6° CW dissipated.

## Handling Procedures

Please observe the following precautions to avoid damage:

## Static Sensitivity

RF Integrated Circuits are sensitive to electrostatic discharge (ESD) and can be damaged by static electricity. Proper ESD control techniques should be used when handling these devices.

## Driver Conditions

Control Level DC Voltages (resulting currents) G1 = Ground, A1 = N/C		Condition of RF Output
B3	B1	
-5V (-35 mA <sup>7</sup> )	+30V (132 mA)	T <sub>X</sub> Mode 1 R <sub>RX</sub> = 120 Ω
-5V (-25 mA <sup>7</sup> )	+30V (132 mA)	T <sub>X</sub> Mode 2 R <sub>RX</sub> = 160 Ω
+5V (+17 mA <sup>7</sup> )	-5V (0mA)	R <sub>RX</sub> Mode

- Current is controlled externally, with R<sub>RX</sub> in parallel with a switching diode. "R<sub>com</sub>" is 220 Ω. G1 is connected to ground externally. See Application Circuit Diagram.

## Bias Control

Optimal operation is achieved by simultaneous application of positive DC voltage to the low loss switching arm and negative DC voltage to the isolating switching arm.

In the low loss state, the diode is forward biased with current. In the isolated state, the series diode is reverse biased with voltage.

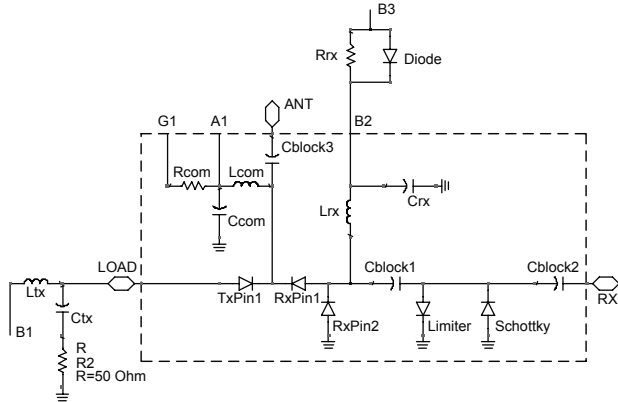
*Minimum Reverse Bias Required (T<sub>X</sub> mode):*  
30 V DC Voltage for 125 W CW Power

R. Caverly and G. Hiller, "Establishing the Minimum Reverse Bias for a P-I-N Diode in a High Power Switch," IEEE Transactions on Microwave Theory and Techniques, Vol.38, No.12, December 1990

## SPDT Switch & Limiter 2.7 - 3.5 GHz

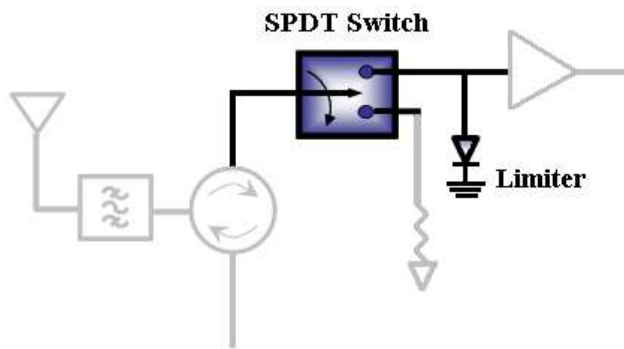
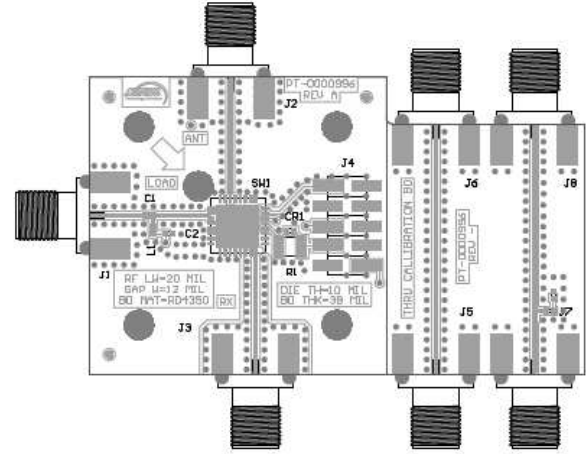
Rev. V3

### Application Schematic<sup>8</sup>



8. MASL-011023 includes components within the rectangle above.

### Suggested PCB Layout

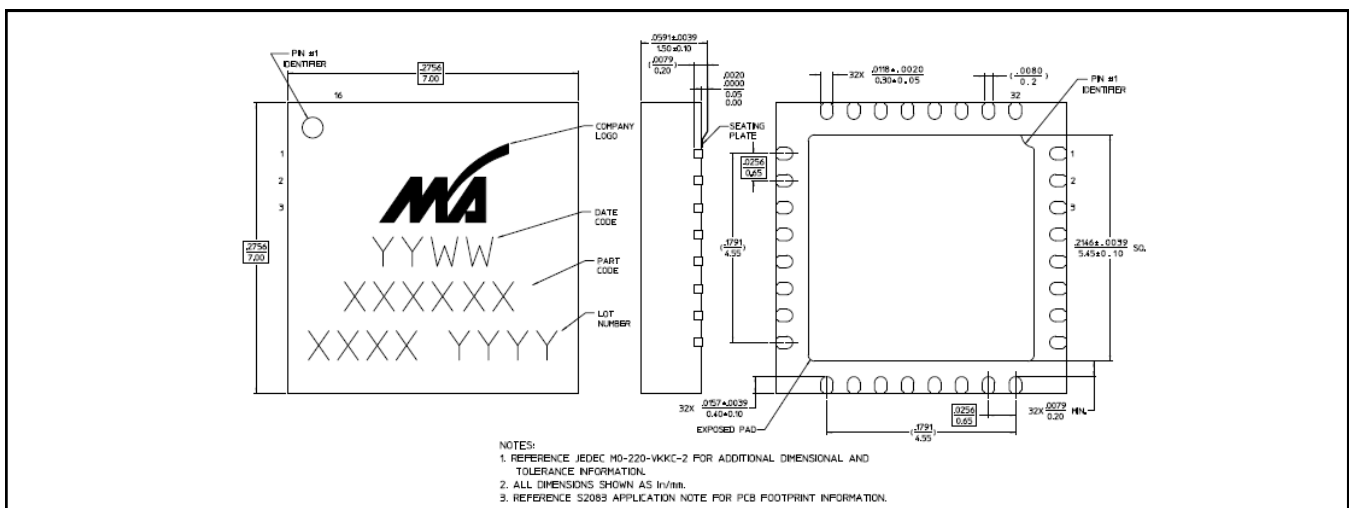


### Parts List

Part	Value	Case Style
C1 = CT <sub>X</sub>	12 pF	0603, Low ESR <sup>9</sup>
C2	12 pF	0402
L1 = LT <sub>X</sub>	47 nH	0402
Diode = CR1	125 mA/80 V	0402
R1 = RR <sub>X</sub>	120 Ω	1210, ≥1/2 W

9. Johanson Technology R14S is recommended.

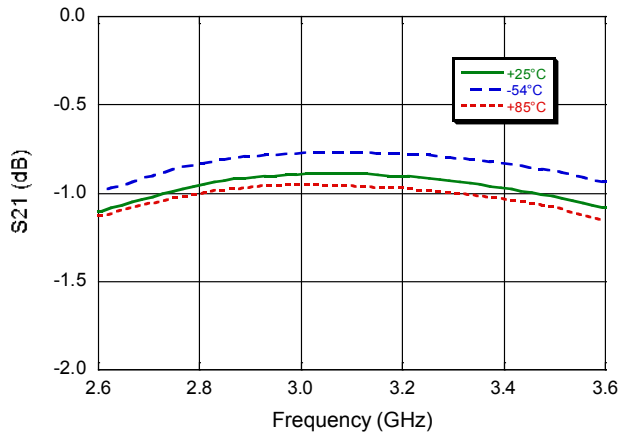
### Lead-Free 7 mm 32-Lead HQFN<sup>†</sup>



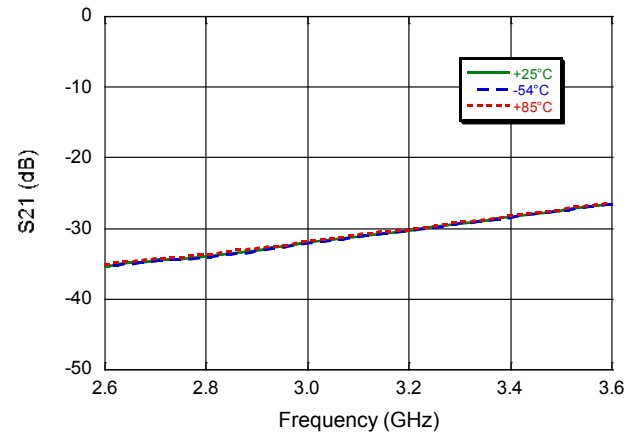
<sup>†</sup> Reference Application Note S2083 for lead-free solder reflow recommendations.  
 Meets JEDEC moisture sensitivity level 1 requirements.

## Typical Performance Curves $R_x$

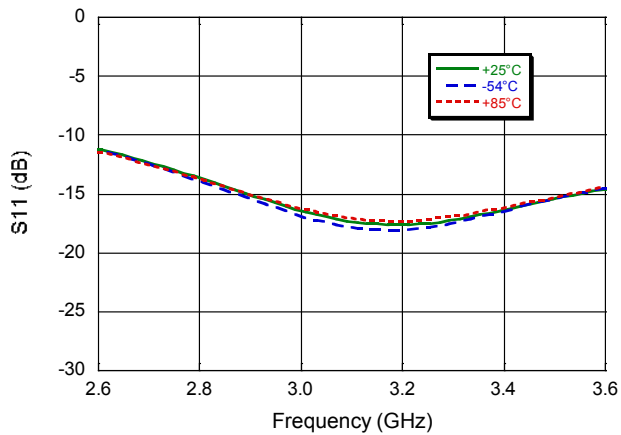
**Insertion Loss**



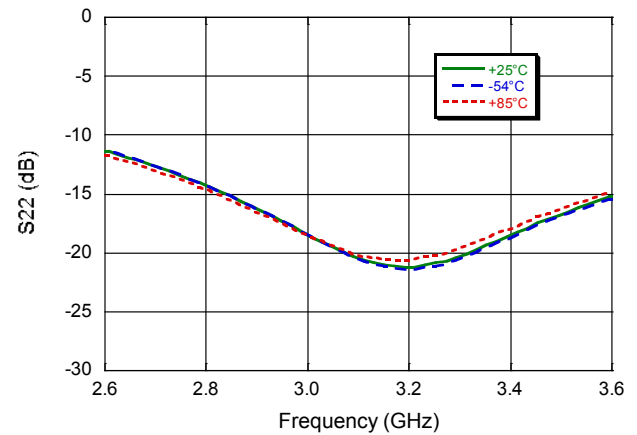
**Isolation**



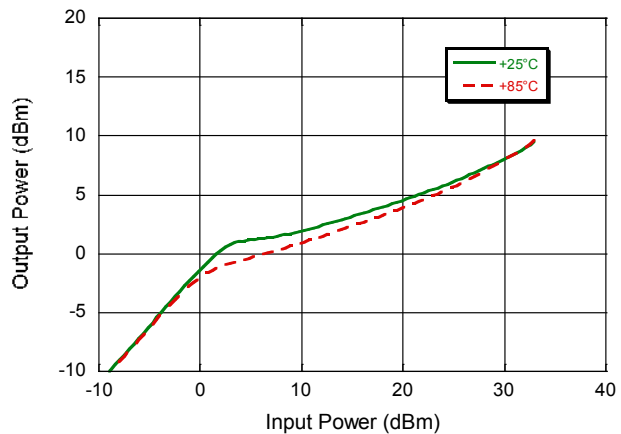
**Input Return loss**



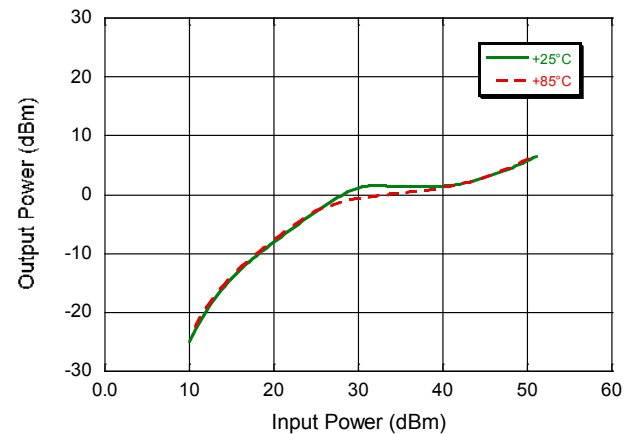
**Output Return Loss**



**$R_x$  Leakage in  $R_x$  Mode**

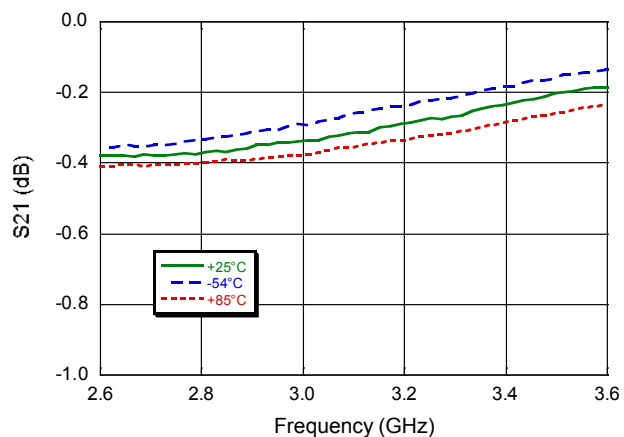


**$R_x$  Leakage in  $T_x$  Mode**

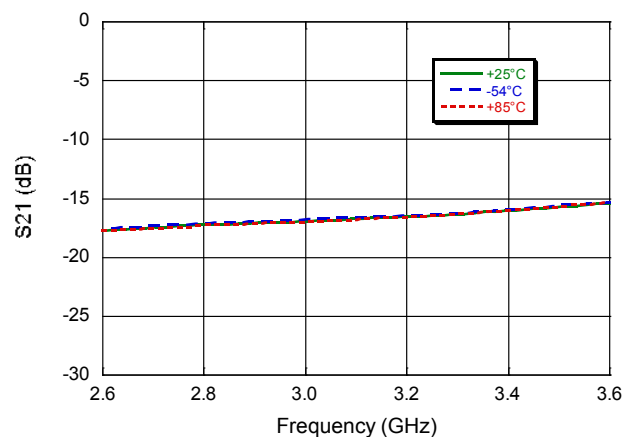


## Typical Performance Curves $T_x$

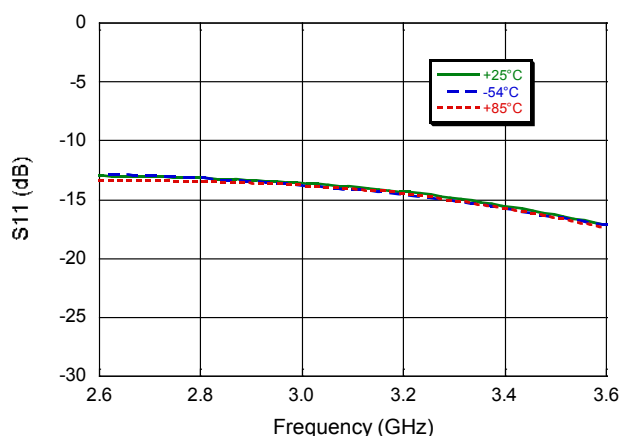
**Insertion Loss**



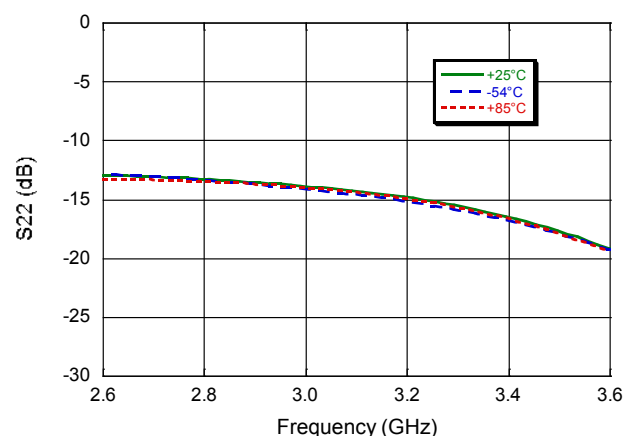
**Isolation**



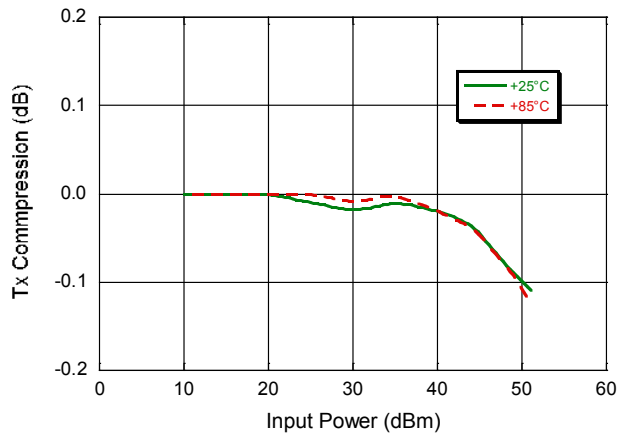
**Input Return loss**



**Output Return Loss**



**$T_x$  Compression**



M/A-COM Technology Solutions Inc. All rights reserved.

Information in this document is provided in connection with M/A-COM Technology Solutions Inc ("MACOM") products. These materials are provided by MACOM as a service to its customers and may be used for informational purposes only. Except as provided in MACOM's Terms and Conditions of Sale for such products or in any separate agreement related to this document, MACOM assumes no liability whatsoever. MACOM assumes no responsibility for errors or omissions in these materials. MACOM may make changes to specifications and product descriptions at any time, without notice. MACOM makes no commitment to update the information and shall have no responsibility whatsoever for conflicts or incompatibilities arising from future changes to its specifications and product descriptions. No license, express or implied, by estoppel or otherwise, to any intellectual property rights is granted by this document.

THESE MATERIALS ARE PROVIDED "AS IS" WITHOUT WARRANTY OF ANY KIND, EITHER EXPRESS OR IMPLIED, RELATING TO SALE AND/OR USE OF MACOM PRODUCTS INCLUDING LIABILITY OR WARRANTIES RELATING TO FITNESS FOR A PARTICULAR PURPOSE, CONSEQUENTIAL OR INCIDENTAL DAMAGES, MERCHANTABILITY, OR INFRINGEMENT OF ANY PATENT, COPYRIGHT OR OTHER INTELLECTUAL PROPERTY RIGHT. MACOM FURTHER DOES NOT WARRANT THE ACCURACY OR COMPLETENESS OF THE INFORMATION, TEXT, GRAPHICS OR OTHER ITEMS CONTAINED WITHIN THESE MATERIALS. MACOM SHALL NOT BE LIABLE FOR ANY SPECIAL, INDIRECT, INCIDENTAL, OR CONSEQUENTIAL DAMAGES, INCLUDING WITHOUT LIMITATION, LOST REVENUES OR LOST PROFITS, WHICH MAY RESULT FROM THE USE OF THESE MATERIALS.

MACOM products are not intended for use in medical, lifesaving or life sustaining applications. MACOM customers using or selling MACOM products for use in such applications do so at their own risk and agree to fully indemnify MACOM for any damages resulting from such improper use or sale.