



Chipsmall Limited consists of a professional team with an average of over 10 year of expertise in the distribution of electronic components. Based in Hongkong, we have already established firm and mutual-benefit business relationships with customers from,Europe,America and south Asia,supplying obsolete and hard-to-find components to meet their specific needs.

With the principle of “Quality Parts,Customers Priority,Honest Operation,and Considerate Service”,our business mainly focus on the distribution of electronic components. Line cards we deal with include Microchip,ALPS,ROHM,Xilinx,Pulse,ON,Everlight and Freescale. Main products comprise IC,Modules,Potentiometer,IC Socket,Relay,Connector.Our parts cover such applications as commercial,industrial, and automotives areas.

We are looking forward to setting up business relationship with you and hope to provide you with the best service and solution. Let us make a better world for our industry!



Contact us

Tel: +86-755-8981 8866 Fax: +86-755-8427 6832

Email & Skype: info@chipsmall.com Web: www.chipsmall.com

Address: A1208, Overseas Decoration Building, #122 Zhenhua RD., Futian, Shenzhen, China



Features

- Suitable for High Power Military and Civilian Radio Applications
- Power Handling: 100 W @ 85°C
- Insertion Loss: 0.35 dB @ 2 GHz
- Isolation: 40 dB @ 2 GHz
- Surface Mount 7 mm 16-lead HQFN Package
- RoHS* Compliant
- Class 1B HBM ESD Rating

Description

The MASW-011030 is a high power PIN diode SP3T switch in a common anode configuration, operating from 30 MHz to 3 GHz. It features low insertion loss and excellent linearity with low DC consumption. This device is capable of handling 100 Watts CW incident power at a base plate temperature of 85°C.

This high power switch is ideal for use on land mobile radio and MIL-COM applications that require higher CW and pulsed power operation.

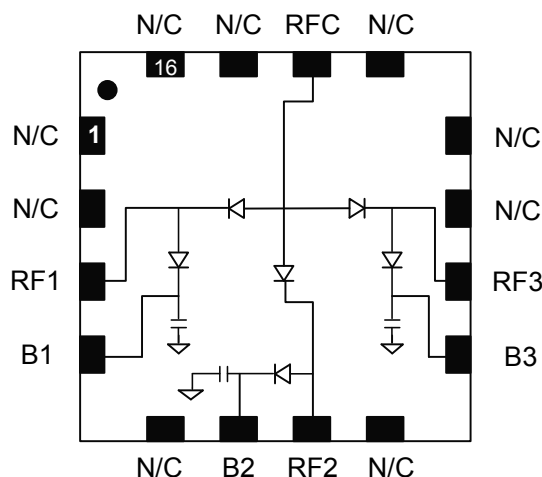
The MASW-011030 is manufactured using MACOM's hybrid manufacturing process featuring high voltage PIN diodes and passive devices integrated in a 7 mm HQFN 16-lead plastic package.

Ordering Information¹

Part Number	Package
MASW-011030-14040T	500 piece reel
MASW-011030-001SMB	Sample Board

1. Reference Application Note M513 for reel size information.

Functional Schematic



Pin Configuration

Pin	Function	Pin	Function
1	No Connection	9	B3 Bias
2	No Connection	10	RF3 / V3 Bias
3	RF1 / V1 Bias	11	No Connection
4	B1 Bias	12	No Connection
5	No Connection	13	No Connection
6	B2 Bias	14	RFC / V4 Bias
7	RF2 / V2 Bias	15	No Connection
8	No Connection	16	No Connection
		Paddle ²	Ground

2. The exposed pad centered on the package bottom must be connected to RF, DC and thermal ground.

* Restrictions on Hazardous Substances, European Union Directive 2011/65/EU.

Switch, SP3T 100 Watt Reflective 0.03 - 3.0 GHz

Rev. V1

Electrical Specifications: $T_A = 25^\circ\text{C}$, Bias³ = +5 / -5 V, 50 mA / 100 mA

Parameter	Test Conditions	Units	Min.	Typ.	Max.
Insertion Loss $P_{IN} = 0$ dBm	0.5 GHz 1.0 GHz 2.0 GHz	dB	—	0.15 0.20 0.35	— 0.35 0.50
Isolation $P_{IN} = 0$ dBm	0.5 GHz 1.0 GHz 2.0 GHz	dB	45	50 50 40	—
Input Return Loss	$P_{IN} = 0$ dBm	dB	—	>15	—
CW Input Power	25°C base plate, 2.0 GHz	dBm W	—	52 158	—
CW Input Power	85°C base plate, 2.0 GHz	dBm W	—	50 100	—
P0.1dB	25°C base plate, 2.0 GHz	dBm	—	>52	—
Input IP3	F1 = 2.00 GHz, F2 = 2.01 GHz $P_{IN} = 40$ dBm/Tone, 28 V	dBm	—	62	—
RF Switching Speed	(10-90% RF Voltage) 1 MHz Rep Rate in Modulating Mode	ns	—	800	—

3. See Bias table.

Bias (+5 V / -5 V)⁴

RF State	V1 Bias (V)	V2 Bias (V)	V3 Bias (V)	B1 Bias (V)	B2 Bias (V)	B3 Bias (V)	V4 Bias (V)
RFC – RF1 Low Loss RFC – RF2 Isolation RFC – RF3 Isolation	-5 V @ 100 mA	+5 V @ 50 mA	+5 V @ 50 mA	0 V	0 V	0 V	0 V
RFC – RF2 Low Loss RFC – RF1 Isolation RFC – RF3 Isolation	+5 V @ 50 mA	-5 V @ 100 mA	+5 V @ 50 mA	0 V	0 V	0 V	0 V
RFC – RF3 Low Loss RFC – RF1 Isolation RFC – RF2 Isolation	+5 V @ 50 mA	+5 V @ 50 mA	-5 V @ 100 mA	0 V	0 V	0 V	0 V

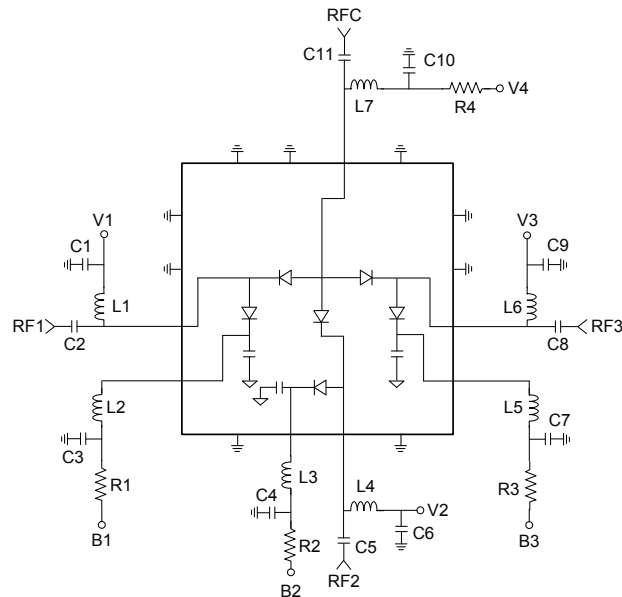
4. DC reverse bias of a PIN Diode operating at a high power is dependent on RF frequency, incident power, and VSWR. See Minimum Reverse DC Voltage table for high power operation.

Minimum Reverse DC Voltage⁵

Frequency (MHz)	Minimum Reverse DC Voltage
30	-120 V
100	-119 V
200	-114 V
300	-106 V
500	-90 V
1000	-59 V
1500	-43 V
2000	-33 V

5. Required to maintain low loss under 100 W of incident power with 1.5:1 VSWR

Application Schematic



Absolute Maximum Ratings^{6,7}

Parameter	Absolute Maximum
Forward Current	200 mA
Reverse DC Voltage	-150 V
Operating Temperature	-40°C to +85°C
Storage Temperature	-55°C to +150°C
Junction Temperature	+175°C

6. Exceeding any one or combination of these limits may cause permanent damage to this device.
7. MACOM does not recommend sustained operation near these survivability limits.

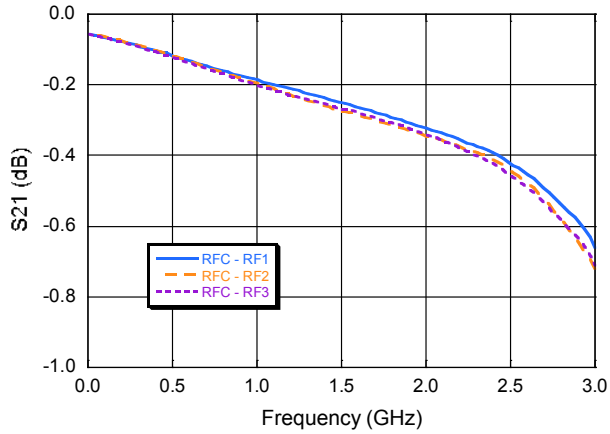
Off-Chip Component Values

Component	Operating Frequency		Size
	0.03 - 1.0 GHz	0.5 - 3.0 GHz	
C1, C3, C4, C6, C7, C9, C10	0.1 μ F	270 pF	0603
C2, C5, C8, C11	0.1 μ F	27 pF	0603
L1 - L7	3.3 μ H	82 nH	0603
R1 - R3 ⁸	82 Ω	82 Ω	1210
R4 ⁸	39 Ω	39 Ω	1210

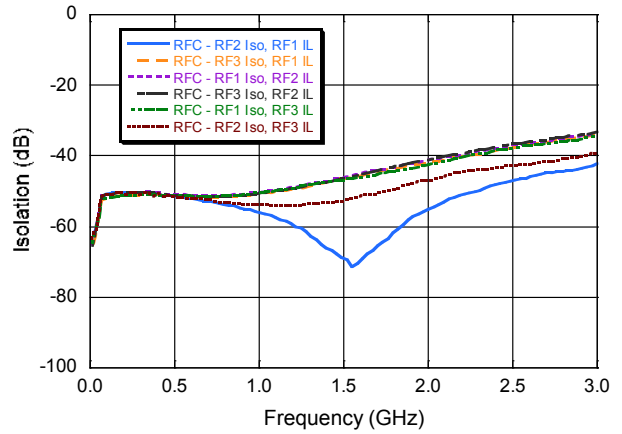
8. Resistance values are used for small signal testing under +5 V / -5 V bias conditions.

Typical Performance Curves (using external bias tees):

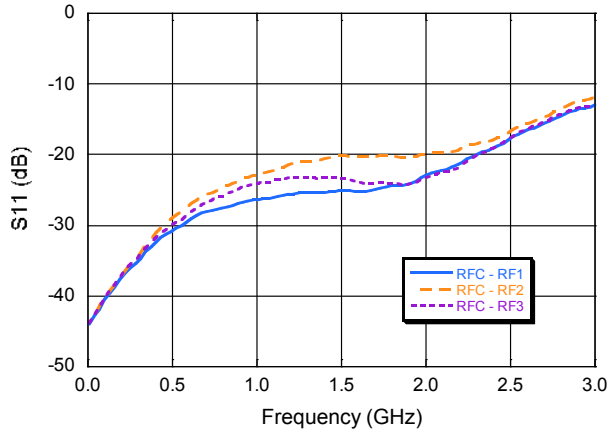
Insertion Loss



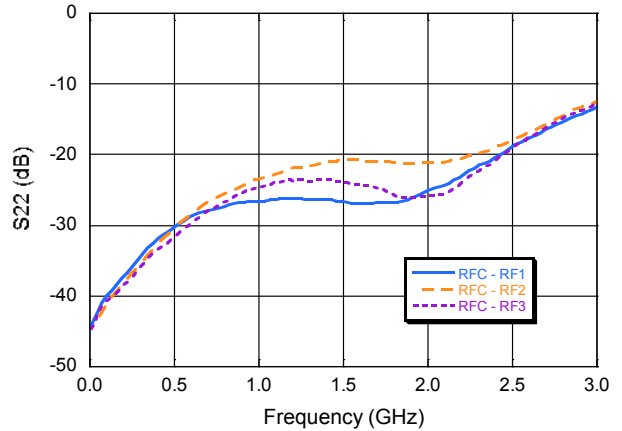
Isolation



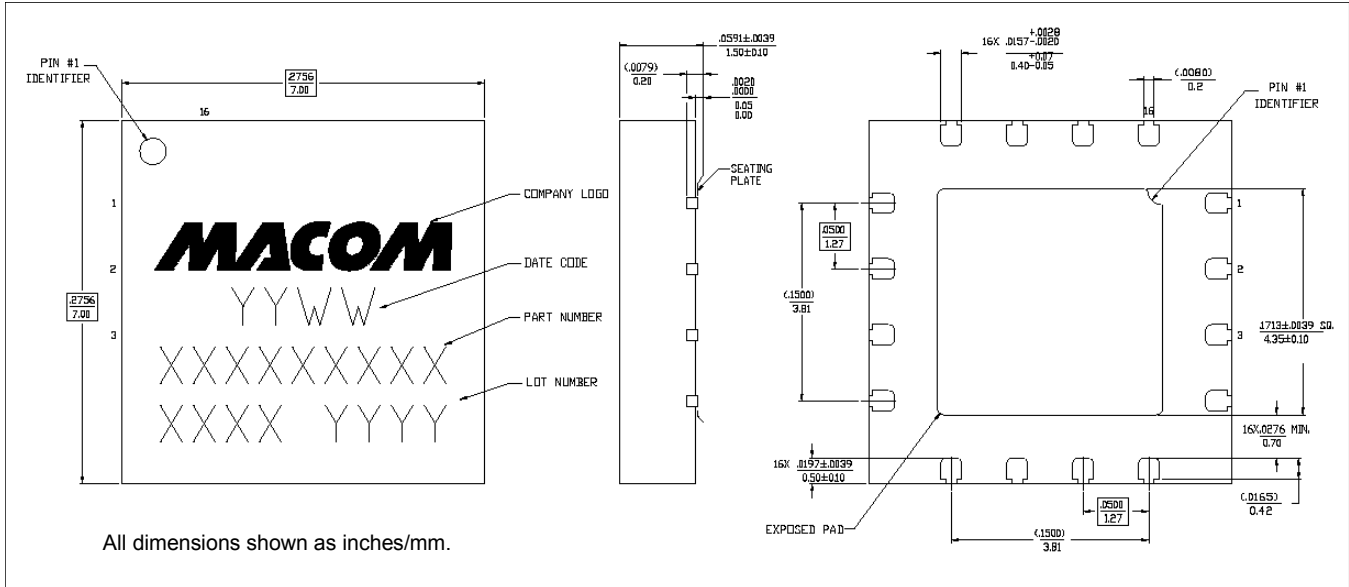
Input Return Loss



Output Return Loss



Lead Free 7 mm 16-Lead HQFN †



† Reference Application Note S2083 for lead-free solder reflow recommendations.
Meets JEDEC moisture sensitivity level TBD requirements.
Plating is NiPdAuAg.

Handling Procedures

Please observe the following precautions to avoid damage:

Static Sensitivity

These electronic devices are sensitive to electrostatic discharge (ESD) and can be damaged by static electricity. Proper ESD control techniques should be used when handling these Class 1B HBM devices.

M/A-COM Technology Solutions Inc. All rights reserved.

Information in this document is provided in connection with M/A-COM Technology Solutions Inc ("MACOM") products. These materials are provided by MACOM as a service to its customers and may be used for informational purposes only. Except as provided in MACOM's Terms and Conditions of Sale for such products or in any separate agreement related to this document, MACOM assumes no liability whatsoever. MACOM assumes no responsibility for errors or omissions in these materials. MACOM may make changes to specifications and product descriptions at any time, without notice. MACOM makes no commitment to update the information and shall have no responsibility whatsoever for conflicts or incompatibilities arising from future changes to its specifications and product descriptions. No license, express or implied, by estoppel or otherwise, to any intellectual property rights is granted by this document.

THESE MATERIALS ARE PROVIDED "AS IS" WITHOUT WARRANTY OF ANY KIND, EITHER EXPRESS OR IMPLIED, RELATING TO SALE AND/OR USE OF MACOM PRODUCTS INCLUDING LIABILITY OR WARRANTIES RELATING TO FITNESS FOR A PARTICULAR PURPOSE, CONSEQUENTIAL OR INCIDENTAL DAMAGES, MERCHANTABILITY, OR INFRINGEMENT OF ANY PATENT, COPYRIGHT OR OTHER INTELLECTUAL PROPERTY RIGHT. MACOM FURTHER DOES NOT WARRANT THE ACCURACY OR COMPLETENESS OF THE INFORMATION, TEXT, GRAPHICS OR OTHER ITEMS CONTAINED WITHIN THESE MATERIALS. MACOM SHALL NOT BE LIABLE FOR ANY SPECIAL, INDIRECT, INCIDENTAL, OR CONSEQUENTIAL DAMAGES, INCLUDING WITHOUT LIMITATION, LOST REVENUES OR LOST PROFITS, WHICH MAY RESULT FROM THE USE OF THESE MATERIALS.

MACOM products are not intended for use in medical, lifesaving or life sustaining applications. MACOM customers using or selling MACOM products for use in such applications do so at their own risk and agree to fully indemnify MACOM for any damages resulting from such improper use or sale.