



Chipsmall Limited consists of a professional team with an average of over 10 year of expertise in the distribution of electronic components. Based in Hongkong, we have already established firm and mutual-benefit business relationships with customers from,Europe,America and south Asia,supplying obsolete and hard-to-find components to meet their specific needs.

With the principle of “Quality Parts,Customers Priority,Honest Operation,and Considerate Service”,our business mainly focus on the distribution of electronic components. Line cards we deal with include Microchip,ALPS,ROHM,Xilinx,Pulse,ON,Everlight and Freescale. Main products comprise IC,Modules,Potentiometer,IC Socket,Relay,Connector.Our parts cover such applications as commercial,industrial, and automotives areas.

We are looking forward to setting up business relationship with you and hope to provide you with the best service and solution. Let us make a better world for our industry!



## Contact us

Tel: +86-755-8981 8866 Fax: +86-755-8427 6832

Email & Skype: info@chipsmall.com Web: www.chipsmall.com

Address: A1208, Overseas Decoration Building, #122 Zhenhua RD., Futian, Shenzhen, China



## Features

- Low Insertion Loss: <math><0.5\text{ dB}</math> @ 900 MHz
- Low Power Consumption: <math><1.0\ \mu\text{A}</math> @ 3 VDC
- Very High Intercept Point: 52 dBm IP3
- Both Positive and Negative 3 to 8 V Control
- Lead-Free SOT-26 Package
- Halogen-Free "Green" Mold Compound
- 260°C Reflow Compatible
- RoHS\* Compliant Version of SW-395

## Description

The MASWSS0179 is a GaAs single pole, double throw switch in a lead-free SOT-26 surface mount plastic package. The MASWSS0179 is ideally suited for applications where very low power consumption, low intermodulation products, very small size and low cost are required.

Typical application is an internal / external antenna select switch for portable telephones and data radios. In addition, because of its low loss, good isolation and inherent speed, the MASWSS0179 can be used as a conventional T/R switch or as an antenna diversity switch. The MASWSS0179 can be used in power applications up to 0.5 Watts in systems such as cellular, PCS, GSM and other analog / digital wireless communications systems.

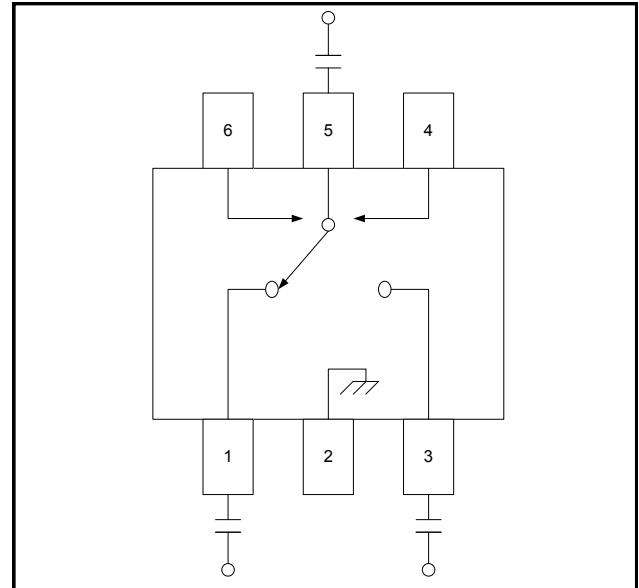
The MASWSS0179 is fabricated using a mature 0.5-micron gate length GaAs pHEMT process. The process features full chip passivation for increased performance and reliability.

## Ordering Information <sup>1</sup>

Part Number	Package
MASWSS0179	Bulk Packaging
MASWSS0179TR-3000	3000 piece reel

1. Reference Application Note M513 for reel size information.

## Functional Schematic <sup>2</sup>



2. DC blocking capacitors are not required if negative control voltage is used.

## Pin Configuration

Pin No.	Function	Pin No.	Function
1	RF1	4	Control B
2	Ground	5	RF Common
3	RF2	6	Control A

## Absolute Maximum Ratings <sup>3,4</sup>

Parameter	Absolute Maximum
Input Power	+33 dBm
Operating Voltage	+8.5 Volts
Storage Temperature	-65°C to +150°C
Operating Temperature	-40°C to +85°C

3. Exceeding any one or combination of these limits may cause permanent damage to this device.

4. M/A-COM Technology does not recommend sustained operation near these survivability limits.

\* Restrictions on Hazardous Substances, European Union Directive 2002/95/EC.

## 3 V GaAs SPDT Switch DC - 2.0 GHz

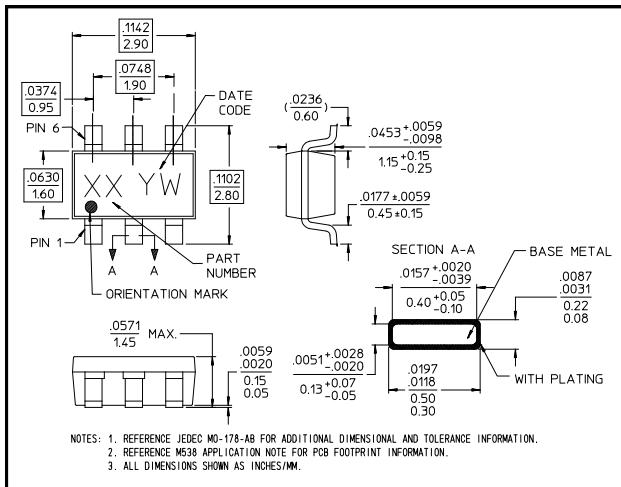
Rev. V3

Electrical Specifications:  $T_A = +25^\circ\text{C}$ ,  $V_C = 0\text{ V} / -3\text{ V}$ ,  $Z_0 = 50\ \Omega$ <sup>5</sup>

Parameter	Test Conditions	Units	Min.	Typ.	Max.
Insertion Loss	DC - 1.0 GHz	dB	—	0.5	0.7
	1.0 - 2.0 GHz		—	0.6	0.8
Isolation	DC - 1.0 GHz	dB	25	28	—
	1.0 - 2.0 GHz		19	22	—
VSWR	DC - 2.0 GHz	Ratio	—	1.3:1	—
1 dB Compression	0.5 GHz, Input Power (3 V Control)	dBm	—	26	—
	0.5 GHz, Input Power (5 V Control)		—	30	—
	0.05 GHz, Input Power (3 V Control)		—	16	—
	0.05 GHz, Input Power (5 V Control)		—	16	—
Trise, Tfall	10% to 90% RF, 90% to 10% RF	ns	—	3	—
Ton, Toff	50% Control to 90% RF, 50% Control to 10% RF	ns	—	5	—
Transients	In-Band	mV	—	15	—
Input IP <sub>2</sub>	2-Tone, 5 MHz spacing, 3 V Control, +10 dBm each	dBm	—	69	—
	0.05 GHz 0.5 GHz		—	80	—
Input IP <sub>3</sub>	2-Tone, 5 MHz spacing, 3 V Control, +10 dBm each	dBm	—	48	—
	0.05 GHz 0.5 GHz		—	52	—
Control Current	$ V_C  = 3\text{ V}$	mA	—	1	10

5. For positive voltage control, external DC blocking capacitors are required on all RF ports.

### Lead-Free SOT-26<sup>†</sup>



<sup>†</sup> Reference Application Note M538 for lead-free solder reflow recommendations.  
Meets JEDEC moisture sensitivity level 1 requirements.  
Plating is 100% matte tin over copper.

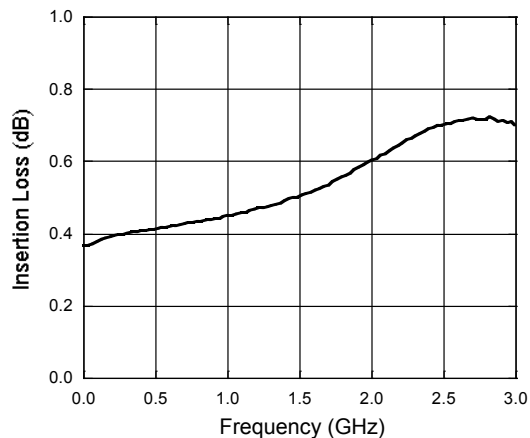
### Truth Table<sup>6,7,8</sup>

Control A	Control B	RFC to RF1	RFC to RF2
0	1	Off	On
1	0	On	Off

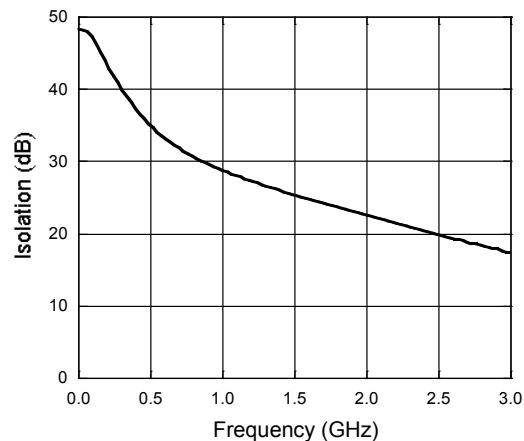
- For positive voltage control, external DC blocking capacitors are required on all RF ports.
- 0 = -8 V to 0 V, 1 = 0 V to +8 V.
- Differential voltage, V (state 1) - V (state 0), must be +2.8 V minimum and must not exceed +8 V.

## Typical Performance Curves

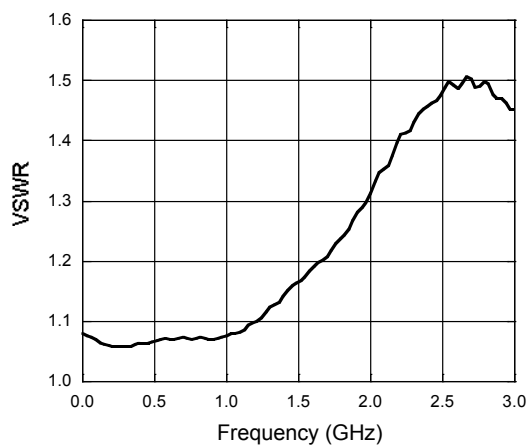
### Insertion Loss



### Isolation



### VSWR



### Handling Procedures

Please observe the following precautions to avoid damage:

### Static Sensitivity

Gallium Arsenide Integrated Circuits are sensitive to electrostatic discharge (ESD) and can be damaged by static electricity. Proper ESD control techniques should be used when handling these devices.

M/A-COM Technology Solutions Inc. All rights reserved.

Information in this document is provided in connection with M/A-COM Technology Solutions Inc ("MACOM") products. These materials are provided by MACOM as a service to its customers and may be used for informational purposes only. Except as provided in MACOM's Terms and Conditions of Sale for such products or in any separate agreement related to this document, MACOM assumes no liability whatsoever. MACOM assumes no responsibility for errors or omissions in these materials. MACOM may make changes to specifications and product descriptions at any time, without notice. MACOM makes no commitment to update the information and shall have no responsibility whatsoever for conflicts or incompatibilities arising from future changes to its specifications and product descriptions. No license, express or implied, by estoppel or otherwise, to any intellectual property rights is granted by this document.

THESE MATERIALS ARE PROVIDED "AS IS" WITHOUT WARRANTY OF ANY KIND, EITHER EXPRESS OR IMPLIED, RELATING TO SALE AND/OR USE OF MACOM PRODUCTS INCLUDING LIABILITY OR WARRANTIES RELATING TO FITNESS FOR A PARTICULAR PURPOSE, CONSEQUENTIAL OR INCIDENTAL DAMAGES, MERCHANTABILITY, OR INFRINGEMENT OF ANY PATENT, COPYRIGHT OR OTHER INTELLECTUAL PROPERTY RIGHT. MACOM FURTHER DOES NOT WARRANT THE ACCURACY OR COMPLETENESS OF THE INFORMATION, TEXT, GRAPHICS OR OTHER ITEMS CONTAINED WITHIN THESE MATERIALS. MACOM SHALL NOT BE LIABLE FOR ANY SPECIAL, INDIRECT, INCIDENTAL, OR CONSEQUENTIAL DAMAGES, INCLUDING WITHOUT LIMITATION, LOST REVENUES OR LOST PROFITS, WHICH MAY RESULT FROM THE USE OF THESE MATERIALS.

MACOM products are not intended for use in medical, lifesaving or life sustaining applications. MACOM customers using or selling MACOM products for use in such applications do so at their own risk and agree to fully indemnify MACOM for any damages resulting from such improper use or sale.