



Chipsmall Limited consists of a professional team with an average of over 10 year of expertise in the distribution of electronic components. Based in Hongkong, we have already established firm and mutual-benefit business relationships with customers from,Europe,America and south Asia,supplying obsolete and hard-to-find components to meet their specific needs.

With the principle of "Quality Parts,Customers Priority,Honest Operation,and Considerate Service",our business mainly focus on the distribution of electronic components. Line cards we deal with include Microchip,ALPS,ROHM,Xilinx,Pulse,ON,Everlight and Freescale. Main products comprise IC,Modules,Potentiometer,IC Socket,Relay,Connector.Our parts cover such applications as commercial,industrial, and automotives areas.

We are looking forward to setting up business relationship with you and hope to provide you with the best service and solution. Let us make a better world for our industry!



## Contact us

Tel: +86-755-8981 8866 Fax: +86-755-8427 6832

Email & Skype: info@chipsmall.com Web: www.chipsmall.com

Address: A1208, Overseas Decoration Building, #122 Zhenhua RD., Futian, Shenzhen, China



# MAXIM

## MAX115 Evaluation Kit

**Evaluates: MAX115/MAX116**

### General Description

The MAX115 evaluation system (EV system) is a complete, eight channel data-acquisition system consisting of a MAX115 evaluation kit (EV kit) and a Maxim 68HC16MOD-16WIDE microcontroller ( $\mu$ C) module. The MAX115 is a high speed, multichannel, 12-bit data acquisition system with simultaneous track/holds. Windows 3.1/Windows 95 software provides a handy user interface to exercise the MAX115's features.

Order the complete EV System (MAX115EVB16) for comprehensive evaluation of the MAX115 using a personal computer. Order the EV kit (MAX115EVKIT) if the 68HC16MOD-16WIDE Module has already been purchased with a previous Maxim EV system or for custom use in other  $\mu$ C-based systems.

### MAX115EVKIT/MAX116EVKIT Parts List

DESIGNATION	QTY	DESCRIPTION
C1, C2, C4, C5, C6, C9, C10	7	0.1 $\mu$ F ceramic 1206 chip capacitors
C3, C8	2	10 $\mu$ F, 25V tantalum capacitors
C7	1	4.7 $\mu$ F, 6.3V tantalum capacitor
C11	1	100pF ceramic 1206 chip
P1, P2	2	2 x 20 right angle sockets
R1, R6	2	100 $\Omega$ $\pm$ 1% 1206 chip resistors
R2, R3, R4, R5	4	10k $\Omega$ $\pm$ 5% 1206 chip resistors
R7, R8	1	10 $\Omega$ $\pm$ 5% 1206 chip resistors
U1	1	Maxim MAX115CAX or MAX116CAX
U2	1	78L05 voltage regulator
U3	1	74HCT244
U4	1	79L05 negative voltage regulator
U5	1	16MHz clock oscillator module
NONE	1	PC board
NONE	1	Software disk, "MAX115 Evaluation Kit"

### MAX115 EV Kit File List

INSTALL.EXE	Installs the EV kit files on your computer
MAX115.EXE	Application program
MAX115.HLP	Help file
KIT125.B16	Software loaded into 68HC16
MAX115.INI	Program settings
UNINST.EXE	Removes the EV kit files from your computer



**For pricing, delivery, and ordering information, please contact Maxim/Dallas Direct! at 1-888-629-4642, or visit Maxim's website at [www.maxim-ic.com](http://www.maxim-ic.com).**

### Features

- ◆ Proven PC Board Layout
- ◆ Complete Evaluation System Samples to 40ksps
- ◆ Convenient Test Points Provided On-Board
- ◆ Data-Logging Software with FFT Capability
- ◆ Fully Assembled and Tested

### Ordering Information

PART	TEMP. RANGE	INTERFACE TYPE
MAX115EVKIT	0°C to +70°C	User-Supplied
MAX115EVB16	0°C to +70°C	Windows Software
MAX116EVKIT	0°C to +70°C	User-Supplied
MAX116EVB16	0°C to +70°C	Windows Software

### MAX115EVB16 System Component List

PART	QTY	DESCRIPTION
MAX115EVKIT	1	MAX115 Evaluation Kit
68HC16 MOD-16WIDE	1	68HC16 $\mu$ C Module with 16-bit parallel interface

### MAX116EVB16 System Component List

PART	QTY	DESCRIPTION
MAX116EVKIT	1	MAX116 Evaluation Kit
68HC16 MOD-16WIDE	1	68HC16 $\mu$ C Module with 16-bit parallel interface

# MAX115 Evaluation Kit

## MAX115 Stand-Alone EV Kit

The MAX115 EV kit provides a proven PC board layout to facilitate evaluation of the MAX115. It must be interfaced to appropriate timing signals for proper operation. Dual power supplies ( $\pm 8\text{VDC}$  min,  $\pm 20\text{VDC}$  max) should be applied to P1-5, P1-9, with ground at P1-1. Connect active-low read strobe to P1-38, connect write strobe to P1-37, and connect memory mapped chip selects to P1-35 and P1-36. Refer to Figure 1, *MAX115 EV Kit Schematic* for board schematic. Refer to the MAX115 data sheet for timing requirements.

## MAX115 EV System

The MAX115/MAX116 EV systems operate from a user-supplied +13V to +20V DC power supply. Windows 3.1/95 software running on an IBM PC interfaces to the EV system board through the computer's serial communications port. The software can be operated with or without a mouse. Refer to *Quick Start* section for setup and operating instructions.

The MAX115 software is designed for use with the complete evaluation system **MAX115EVB16** or **MAX116EVB16** (includes **68HC16MOD-16WIDE** module together with **MAX115EVKIT** or **MAX116EVKIT**). If the MAX115 evaluation software will not be used, the **MAX115EVKIT** board can be purchased by itself without the microcontroller.

To evaluate the MAX116, order the complete evaluation system **MAX116EVB16** or just the interface board **MAX116EVKIT**.

## Quick Start

Before you begin, you will need:

- Maxim's MAX115EVB16 (contains MAX115EVKIT board and 68HC16MOD-16WIDE)
  - A small DC power supply (+13V to +20V DC at 250mA)
  - An IBM PC-compatible computer running Windows 3.1 or Windows 95
  - A spare serial communications port (9-pin plug)
  - A serial cable to connect the computer's serial port to the Maxim 68HC16MOD-16WIDE module
- 1) Carefully connect the boards by aligning the two 40-pin headers of the MAX115 EV kit with the two 40-pin connectors of the 68HC16MOD-16WIDE module. Gently press them together. The two boards should be flush against one another.
  - 2) Connect a +13V to +20V DC power source to the  $\mu\text{C}$  module at the terminal block located next to the

on/off switch along the top edge of the  $\mu\text{C}$  module. Observe the polarity marked on the board.

- 3) Connect a cable from the computer's serial port to the  $\mu\text{C}$  module. If using a 9-pin serial port, use a straight-through, 9-pin female-to-male cable. If the only available serial port uses a 25-pin connector, a standard 25-pin to 9-pin adapter will be required. The EV kit software checks the modem status lines (CTS, DSR, DCD) to confirm that the correct port has been selected.
- 4) Install the MAX115 EV kit software on your computer by running the INSTALL.EXE program on the floppy disk. The program files are copied and icons are created for them in the Windows 3.1 Program Manager (or the Windows 95 Start Menu).
- 5) Start the MAX115 program by opening its icon in the Program Manager (or Start Menu).
- 6) The program will prompt you to connect the  $\mu\text{C}$  module and turn its power on. Slide SW1 to the "ON" position. Select the correct serial port, and click OK. The program will automatically download KIT125.B16 to the module.
- 7) Apply input signals to the inputs labeled CH1A-CH4A at the bottom edge of the MAX115 EV kit board. Observe the readout on the screen.

## Detailed Description of Software

The MAX115 digitizes up to four inputs from either the A or B input bank. Conversion time is determined by the number of enabled inputs. The software collects samples at a maximum throughput of 40ksps (one channel) to 26ksps (four channels). The various program functions are grouped into dialog boxes, which are accessible from the Window menu on the main menu bar.

### Keyboard Navigation

If a mouse or other pointing device is not available, operate the program using the following keyboard shortcuts. Press ALT+W to bring up the Window menu and then select a tool window. Press the TAB key to select controls within the selected tool window. Buttons are activated by pressing the space bar. Check boxes, radio buttons, and combo boxes respond to the up/down arrow keys. Refer to Table 1, *Keyboard Navigation Shortcuts*.

# MAX115 Evaluation Kit

Evaluates: MAX115/MAX116

**Table 1. Keyboard Navigation Shortcuts**

KEY	FUNCTION
TAB	Select next control
ALT + W	Window menu
ALT + space	System menu of main program window
ALT + minus	System menu of child window
Space Bar	Click on the selected button
ALT + Print Screen	Copy the image of main window onto the clipboard

## Low-Speed Data Logging

Readings can be taken automatically from user-selected channels at regular intervals up to ten samples per second by selecting **Scan Tool** from the **Window** menu. The Channel Selection and Configuration group controls which channels shall be scanned, and (where applicable) configures each channel for **bipolar** and/or **differential** input. The Bipolar and Differential controls are disabled because the MAX115 inputs are always bipolar and never differential. The scan rate combo box controls the rate at which measurements are made. Readings are displayed in the **Recent Values** text area. Readings may optionally be recorded into a data log file. Click on the **New Log** button to begin or end data logging. This brings up the **Log File Format** dialog box. One complete line of data is written after all enabled channels have been sampled. The first line of the log file contains the column headings. Each subsequent line of the log file contains all enabled channels, separated by commas, tabs, or spaces (previously selected in the Log File Format dialog box). Once a log file has been opened, it can be paused or resumed with the corresponding **Log** menu commands. The program continues to write data to the log file until the **Stop Log** button is clicked.

## One-Shot Read Tool

The **One-Shot Read Tool** allows direct control of the A/D configuration. Select the channel and mode of operation to update the **Control Byte** display, or change the Control Byte bits directly and observe the change in the channel selection control. The **Read Now** button writes the configuration information to the A/D, and performs one reading.

## Power Cycling Tool

To reduce average supply current demand, the MAX115 can be shut down between conversions. From

the **Window** menu, select **Power Cycling Tool**. The amount of power savings depends primarily on how long the part is off between conversions. The accuracy of the conversions depends on the power-up delay, the reference capacitor, and the time in power-down. Adjust the off-time with the delay between samples command. Adjust the on-time with the power-up delay command.

Using an adequate power-up delay will ensure the desired conversion accuracy during power cycling modes. The reference must be allowed enough time to stabilize before the measurement is performed. Start with zero power-up delay and increase the delay time until no further change in accuracy is observed. The power-up delay requirement depends on the value of the reference capacitor and the off-time.

The MAX115 EV kit software performs power-up by writing a configuration word with the shutdown bit set. After powering up, the power-up delay is executed to allow time for the reference voltage to stabilize so that an accurate measurement may be performed.

## Sampling Tool

To sample data at rates up to 40ksps (samples per second), select **Sampling Tool** from the **Window** menu, make your selections, and click on the **Start** button. The timing delays may be adjusted as appropriate to control the sample rate. The effective sample rate can be estimated by taking the reciprocal of the sum of the delay between samples, the power-up delay and the conversion time. Sample size is restricted to a power of two, so that the data can be processed by the **FFT** tool. The sample size control controls the number of samples collected on each selected channel. After the samples have been collected, the data is automatically uploaded to the host and is graphed. Once displayed, the data can optionally be saved to a file.

## FFT Tool

The MAX115 evaluation software includes an FFT (Fast Fourier Transform) tool that can display the spectral content of data collected with the high-speed sampling tool. To view the spectral content of a waveform, first select a data sample that was previously collected with the high-speed sampling tool. Then, select **FFT Tool** from the **Window** menu. Check the output plots desired, and click on the Start button. A data windowing function preprocesses a data sample before performing the FFT. When the input signal is not synchronized to the sampling clock, spectral energy appears to leak into nearby frequency buckets. A suitable data

# MAX115 Evaluation Kit

window tapers the raw data to zero amplitude at the beginning and end, reducing this spectral leakage. For more information on the fast fourier transform and data windowing functions, refer to W.H.Press et al, *Numerical Recipes in Pascal: the Art of Scientific Computing*, Cambridge University Press, 1989, ISBN 0-521-37516-9.

## Device Characteristics

The device characteristics dialog box contains parameters that are not expected to change often. The device selection is used to evaluate devices similar to the main device type.

## Evaluating the MAX116

The MAX115 software can evaluate the MAX116 directly. From the “**Window**” menu, pick “**Device Characteristics**”. Next, change the device type from MAX115 to MAX116. This tells the program that the input voltage span is  $\pm V_{REF}$  instead of  $\pm 2V_{REF}$ .

## Changing the Reference Voltage

The MAX115 EV kit software assumes a +2.5V reference voltage, unless otherwise specified. Apply an external +2.5V reference to the REFIN pad to overdrive the internal reference. See the MAX115 data sheet for more information. From the “**Window**” menu, select “**Device Characteristics**”. Type the new reference voltage into the reference voltage edit box.

## Detailed Description of Hardware

The MAX115 (U1) is a high-speed, multichannel, 12-bit data-acquisition system with simultaneous track/holds. Linear regulators (U2 and U4) make clean analog  $\pm 5V$  power supplies for the MAX115. R8 and C1 filter digital noise out of the analog power supply. U3 isolates the  $\overline{CS}$ ,  $\overline{RD}$ ,  $\overline{WR}$ , and  $\overline{CONVST}$  signals from the main system bus to further prevent digital noise from entering the MAX115. Refer to Figure 1, *MAX115 EV Kit Schematic* and the MAX115 data sheet.

CS7 is the chip-select output for the 7E000 memory-mapped I/O area, which the EV system uses to write the configuration byte to, and read data from the

MAX115. CS8 is the chip-select output for the 7E800 memory-mapped I/O area, which the EV system uses to generate the conversion start strobe that signals the MAX115 to sample its inputs.

## Measuring Supply Current

EV kit supply current can be monitored by measuring the voltage across resistor R1 (for the +5V supply) or R6 (for the -5V supply). These resistors are  $100\Omega \pm 1\%$ , thus 0.001V across R1 represents  $10\mu A$  of supply current.

## Troubleshooting

**Problem: No output measurement. System seems to report zero voltage, or fails to make a measurement.**

Check +5V and -5V supply voltages. Check the 2.5V REFOUT reference voltage using a digital voltmeter. Use an oscilloscope to verify that the 16MHz clock is running and that the conversion-start signal is being strobed.

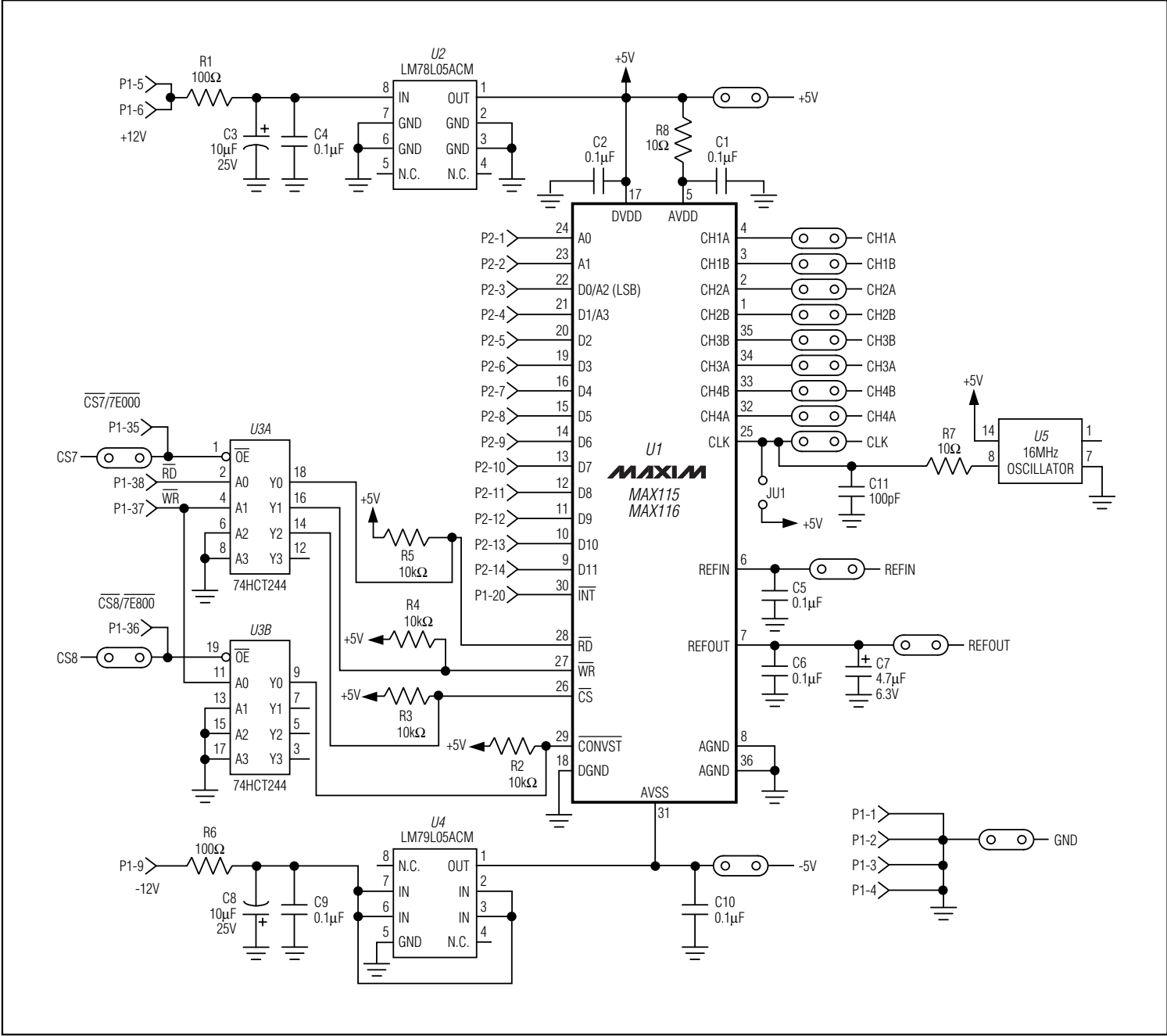
**Problem: Measurements are erratic, unstable; poor accuracy.**

Check the reference voltage using a digital voltmeter. Use an oscilloscope to check for noise. When probing for noise, keep the oscilloscope ground return lead as short as possible, preferably less than 1/2 in (10mm).

**Problem: Inputs appear on wrong channels.**

Check the MAX115 clock pin with an oscilloscope. A crystal oscillator module with fast rise/fall times can overshoot or undershoot the power supply rails, violating device operation limits. Use a lowpass filter (such as R7 and C11 on the MAX115 EV kit) to eliminate clock overshoot.

# MAX115 Evaluation Kit



Evaluates: MAX115/MAX116

Figure 1. MAX115/MAX116 EV Kit Schematic

# MAX115 Evaluation Kit

**Evaluates: MAX115/MAX116**

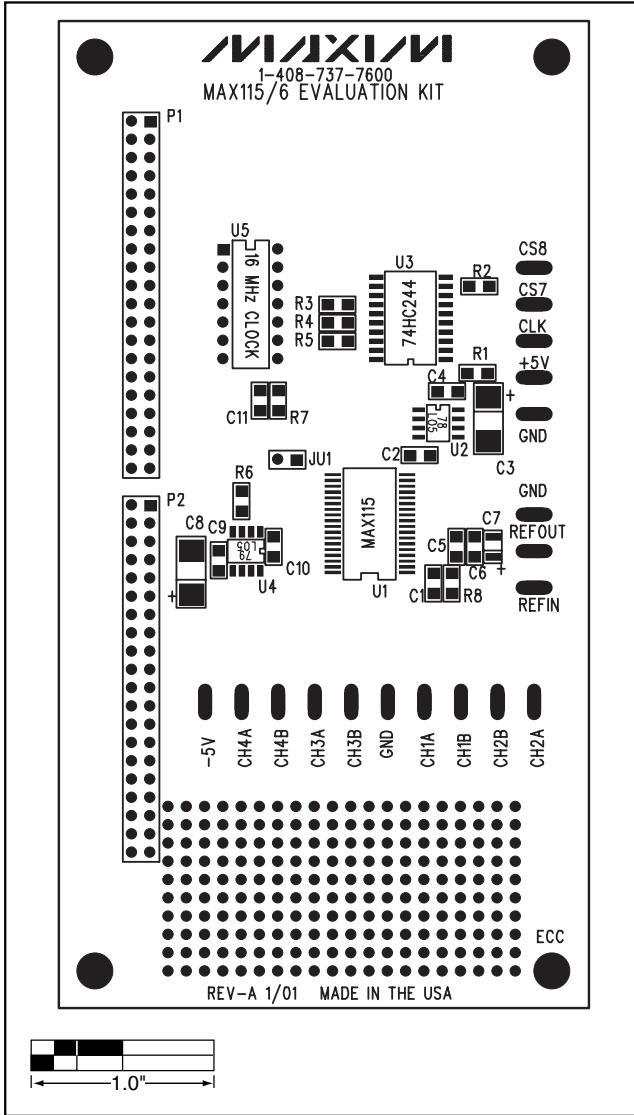


Figure 2. MAX115/MAX116 EV Kit Component Placement Guide

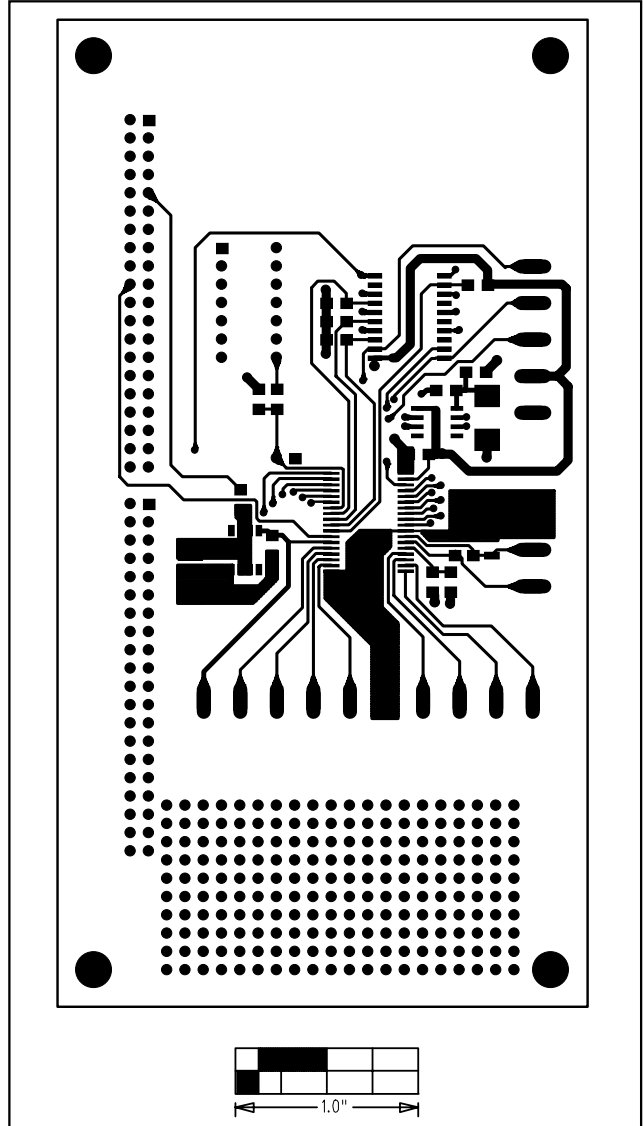


Figure 3. MAX115/MAX116 EV Kit PC Board Layout — Component Side

# MAX115 Evaluation Kit

Evaluates: MAX115/MAX116

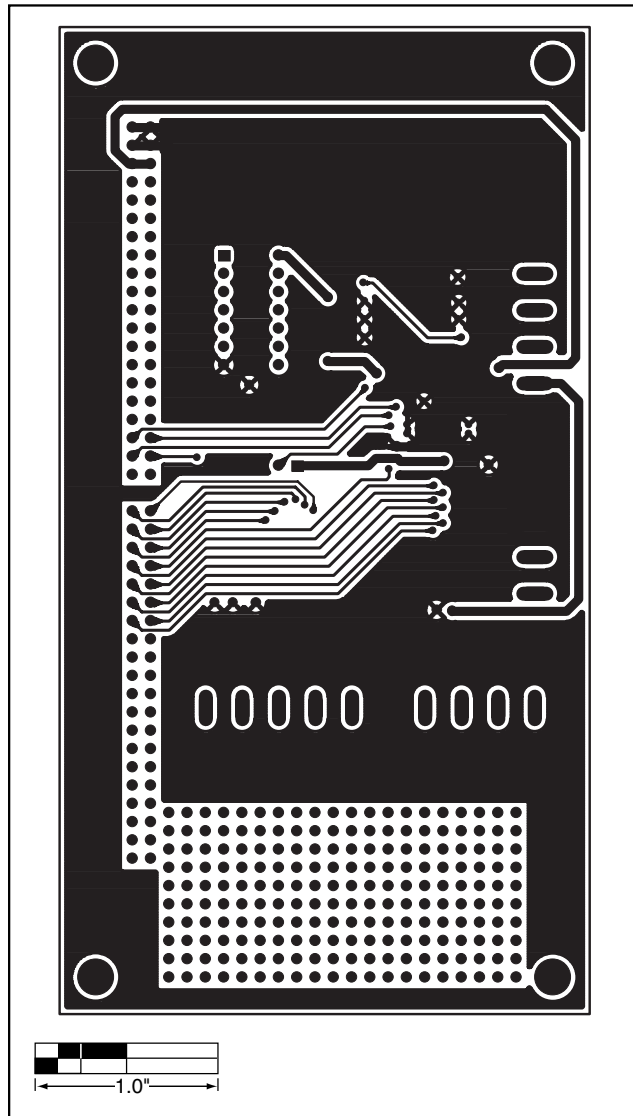


Figure 4. MAX115/MAX116 EV Kit PC Board Layout — Solder Side

Maxim cannot assume responsibility for use of any circuitry other than circuitry entirely embodied in a Maxim product. No circuit patent licenses are implied. Maxim reserves the right to change the circuitry and specifications without notice at any time.

Maxim Integrated Products, 120 San Gabriel Drive, Sunnyvale, CA 94086 408-737-7600 \_\_\_\_\_ 7