



Chipsmall Limited consists of a professional team with an average of over 10 year of expertise in the distribution of electronic components. Based in Hongkong, we have already established firm and mutual-benefit business relationships with customers from,Europe,America and south Asia,supplying obsolete and hard-to-find components to meet their specific needs.

With the principle of "Quality Parts,Customers Priority,Honest Operation,and Considerate Service",our business mainly focus on the distribution of electronic components. Line cards we deal with include Microchip,ALPS,ROHM,Xilinx,Pulse,ON,Everlight and Freescale. Main products comprise IC,Modules,Potentiometer,IC Socket,Relay,Connector.Our parts cover such applications as commercial,industrial, and automotives areas.

We are looking forward to setting up business relationship with you and hope to provide you with the best service and solution. Let us make a better world for our industry!



Contact us

Tel: +86-755-8981 8866 Fax: +86-755-8427 6832

Email & Skype: info@chipsmall.com Web: www.chipsmall.com

Address: A1208, Overseas Decoration Building, #122 Zhenhua RD., Futian, Shenzhen, China



EVALUATION KIT
AVAILABLE

MAXIM

TFT-LCD DC-DC Converters with Operational Amplifiers

General Description

The MAX1516/MAX1517/MAX1518 include a high-performance step-up regulator, two linear-regulator controllers, and high-current operational amplifiers for active-matrix thin-film transistor (TFT) liquid-crystal displays (LCDs). Also included is a logic-controlled, high-voltage switch with adjustable delay.

The step-up DC-DC converter provides the regulated supply voltage for the panel source driver ICs. The converter is a high-frequency (1.2MHz) current-mode regulator with an integrated 14V n-channel MOSFET that allows the use of ultra-small inductors and ceramic capacitors. It provides fast transient response to pulsed loads while achieving efficiencies over 85%.

The gate-on and gate-off linear-regulator controllers provide regulated TFT gate-on and gate-off supplies using external charge pumps attached to the switching node. The MAX1518 includes five high-performance operational amplifiers, the MAX1517 includes three, and the MAX1516 includes one operational amplifier. These amplifiers are designed to drive the LCD backplane (VCOM) and/or the gamma-correction divider string. The devices feature high output current ($\pm 150\text{mA}$), fast slew rate ($13\text{V}/\mu\text{s}$), wide bandwidth (12MHz), and rail-to-rail inputs and outputs.

The MAX1516/MAX1517/MAX1518 are available in 32-pin thin QFN packages with a maximum thickness of 0.8mm for ultra-thin LCD panels.

Applications

Notebook Computer Displays
LCD Monitor Panels
Automotive Displays

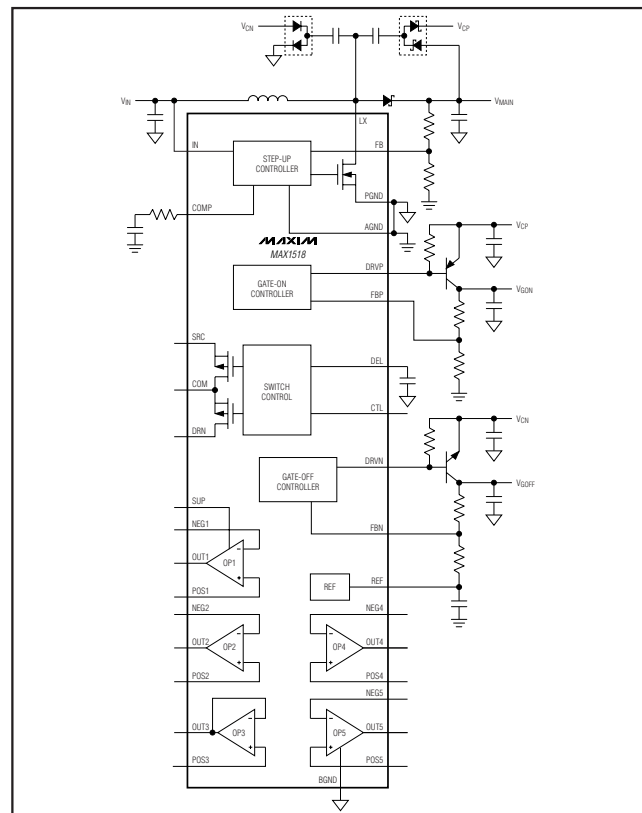
Ordering Information

PART	TEMP RANGE	PIN-PACKAGE
MAX1516ETJ	-40°C to +100°C	32 Thin QFN 5mm x 5mm
MAX1517ETJ	-40°C to +100°C	32 Thin QFN 5mm x 5mm
MAX1518ETJ	-40°C to +100°C	32 Thin QFN 5mm x 5mm

Features

- ◆ 2.6V to 5.5V Input Supply Range
- ◆ 1.2MHz Current-Mode Step-Up Regulator
 - Fast Transient Response to Pulsed Load
 - High-Accuracy Output Voltage (1.5%)
 - Built-In 14V, 2.4A, 0.16 Ω N-Channel MOSFET
 - High Efficiency (90%)
- ◆ Linear-Regulator Controllers for V_{GON} and V_{GOFF}
- ◆ High-Performance Operational Amplifiers
 - $\pm 150\text{mA}$ Output Short-Circuit Current
 - 13V/ μs Slew Rate
 - 12MHz, -3dB Bandwidth
 - Rail-to-Rail Inputs/Outputs
- ◆ Logic-Controlled, High-Voltage Switch with Adjustable Delay
- ◆ Timer-Delay Fault Latch for All Regulator Outputs
- ◆ Thermal-Overload Protection
- ◆ 0.6mA Quiescent Current

Minimal Operating Circuit



Pin Configurations appear at end of data sheet.

MAX1516/MAX1517/MAX1518

TFT-LCD DC-DC Converters with Operational Amplifiers

ABSOLUTE MAXIMUM RATINGS

IN, CTL to AGND-0.3V to +6V
 COMP, FB, FBP, FBN, DEL, REF to AGND-0.3V to ($V_{IN} + 0.3V$)
 PGND, BGND to AGND $\pm 0.3V$
 LX to PGND-0.3V to +14V
 SUP to AGND-0.3V to +14V
 DRVP, SRC to AGND.....-0.3V to +30V
 POS₋, NEG₋, OUT₋ to AGND-0.3V to ($V_{SUP} + 0.3V$)
 POS1 to NEG1, POS2 to NEG2, POS3 to NEG3,
 POS4 to NEG4, POS5 to NEG5-6V to +6V
 DRVN to AGND($V_{IN} - 30V$) to ($V_{IN} + 0.3V$)

COM, DRN to AGND-0.3V to ($V_{SRC} + 0.3V$)
 DRN to COM.....-30V to +30V
 OUT₋ Maximum Continuous Output Current..... $\pm 75mA$
 LX Switch Maximum Continuous RMS Output Current.....1.6A
 Continuous Power Dissipation ($T_A = +70^\circ C$)
 32-Pin Thin QFN (derate 21.2mW/ $^\circ C$ above +70 $^\circ C$) ..1702mW
 Operating Temperature Range-40 $^\circ C$ to +100 $^\circ C$
 Junction Temperature+150 $^\circ C$
 Storage Temperature Range-65 $^\circ C$ to +150 $^\circ C$
 Lead Temperature (soldering, 10s)+300 $^\circ C$

Stresses beyond those listed under "Absolute Maximum Ratings" may cause permanent damage to the device. These are stress ratings only, and functional operation of the device at these or any other conditions beyond those indicated in the operational sections of the specifications is not implied. Exposure to absolute maximum rating conditions for extended periods may affect device reliability.

ELECTRICAL CHARACTERISTICS

($V_{IN} = 3V$, $V_{SUP} = 8V$, PGND = AGND = BGND = 0, $I_{REF} = 25\mu A$, $T_A = 0^\circ C$ to +85 $^\circ C$. Typical values are at $T_A = +25^\circ C$, unless otherwise noted.)

PARAMETER	SYMBOL	CONDITIONS	MIN	TYP	MAX	UNITS	
IN Supply Range	V_{IN}		2.6		5.5	V	
IN Undervoltage-Lockout Threshold	V_{UVLO}	V_{IN} rising, typical hysteresis = 150mV	2.3	2.5	2.7	V	
IN Quiescent Current	I_{IN}	$V_{FB} = V_{FBP} = 1.4V$, $V_{FBN} = 0$, LX not switching		0.6	0.8	mA	
		$V_{FB} = 1.1V$, $V_{FBP} = 1.4V$, $V_{FBN} = 0$, LX switching		6	11		
Duration to Trigger Fault Condition				55		ms	
REF Output Voltage		$-2\mu A < I_{REF} < 50\mu A$, $V_{IN} = 2.6V$ to 5.5V	1.231	1.250	1.269	V	
Thermal Shutdown		Temperature rising		+160		$^\circ C$	
		Hysteresis		15			
MAIN STEP-UP REGULATOR							
Output Voltage Range	V_{MAIN}		V_{IN}		13	V	
Operating Frequency	f_{OSC}		1020	1200	1380	kHz	
Oscillator Maximum Duty Cycle			84	87	90	%	
FB Regulation Voltage	V_{FB}	No load	$T_A = +25^\circ C$ to +85 $^\circ C$	1.221	1.233	1.245	V
			$T_A = 0^\circ C$ to +85 $^\circ C$	1.218	1.233	1.247	
FB Fault Trip Level		V_{FB} falling	0.96	1.00	1.04	V	
FB Load Regulation		$0 < I_{MAIN} < \text{full load}$, transient only		-1.6		%	
FB Line Regulation		$V_{IN} = 2.6V$ to 5.5V		+0.04	± 0.15	%/V	
FB Input Bias Current		$V_{FB} = 1.4V$	-40		+40	nA	
FB Transconductance		$\Delta I_{COMP} = 5\mu A$	75	150	280	μS	
FB Voltage Gain		FB to COMP		600		V/V	

TFT-LCD DC-DC Converters with Operational Amplifiers

MAX1516/MAX1517/MAX1518

ELECTRICAL CHARACTERISTICS (continued)

($V_{IN} = 3V$, $V_{SUP} = 8V$, $PGND = AGND = BGND = 0$, $I_{REF} = 25\mu A$, $T_A = 0^\circ C$ to $+85^\circ C$. Typical values are at $T_A = +25^\circ C$, unless otherwise noted.)

PARAMETER	SYMBOL	CONDITIONS	MIN	TYP	MAX	UNITS
LX On-Resistance	$R_{LX(ON)}$			160	250	m Ω
LX Leakage Current	I_{LX}	$V_{LX} = 13V$		0.02	40	μA
LX Current Limit	I_{LIM}	$V_{FB} = 1V$, duty cycle = 65%	2.5	3.0	3.5	A
Current-Sense Transconductance			3.0	3.8	5	S
Soft-Start Period	t_{SS}			14		ms
Soft-Start Step Size				$I_{LIM} / 8$		A
OPERATIONAL AMPLIFIERS						
SUP Supply Range	V_{SUP}		4.5		13.0	V
SUP Supply Current	I_{SUP}	Buffer configuration, $V_{POS-} = 4V$, no load	MAX1518	3.2	4.8	mA
			MAX1517	2	3	
			MAX1516	0.7	1.1	
Input Offset Voltage	V_{OS}	$(V_{NEG-}, V_{POS-}, V_{OUT-}) \equiv V_{SUP} / 2$, $T_A = +25^\circ C$		0	12	mV
Input Bias Current	I_{BIAS}	$(V_{NEG-}, V_{POS-}, V_{OUT-}) \equiv V_{SUP} / 2$		+1	± 50	nA
Input Common-Mode Range	V_{CM}		0		V_{SUP}	V
Common-Mode Rejection Ratio	CMRR	$0 \leq (V_{NEG-}, V_{POS-}) \leq V_{SUP}$	45			dB
Open-Loop Gain				125		dB
Output Voltage Swing, High	V_{OH}	$I_{OUT-} = 100\mu A$	$V_{SUP} - 15$	$V_{SUP} - 3$		mV
		$I_{OUT-} = 5mA$	$V_{SUP} - 150$	$V_{SUP} - 80$		
Output Voltage Swing, Low	V_{OL}	$I_{OUT-} = -100\mu A$		2	15	mV
		$I_{OUT-} = -5mA$		70	150	
Short-Circuit Current		To $V_{SUP} / 2$, source or sink	50	150		mA
Output Source and Sink Current		$(V_{NEG-}, V_{POS-}, V_{OUT-}) \equiv V_{SUP} / 2$, $ \Delta V_{OS} < 10mV$	40			mA
Power-Supply Rejection Ratio	PSRR	DC, $6V \leq V_{SUP} \leq 13V$, $(V_{NEG-}, V_{POS-}) \equiv V_{SUP} / 2$	60			dB
Slew Rate				13		V/ μs
-3dB Bandwidth		$R_L = 10k\Omega$, $C_L = 10pF$, buffer configuration		12		MHz
Gain-Bandwidth Product	GBW	Buffer configuration		8		MHz
GATE-ON LINEAR-REGULATOR CONTROLLER						
FBP Regulation Voltage	V_{FBP}	$I_{DRVP} = 100\mu A$	1.231	1.250	1.269	V
FBP Fault Trip Level		V_{FBP} falling	0.96	1.00	1.04	V
FBP Input Bias Current	I_{FBP}	$V_{FBP} = 1.4V$	-50		+50	nA
FBP Effective Load-Regulation Error (Transconductance)		$V_{DRVP} = 10V$, $I_{DRVP} = 50\mu A$ to $1mA$		-0.7	-1.5	%

TFT-LCD DC-DC Converters with Operational Amplifiers

ELECTRICAL CHARACTERISTICS (continued)

($V_{IN} = 3V$, $V_{SUP} = 8V$, $PGND = AGND = BGND = 0$, $I_{REF} = 25\mu A$, $T_A = 0^\circ C$ to $+85^\circ C$. Typical values are at $T_A = +25^\circ C$, unless otherwise noted.)

PARAMETER	SYMBOL	CONDITIONS	MIN	TYP	MAX	UNITS
FBP Line (IN) Regulation Error		$I_{DRVP} = 100\mu A$, $2.6V < V_{IN} < 5.5V$		± 1.5	± 5	mV
DRVP Sink Current	I_{DRVP}	$V_{FBP} = 1.1V$, $V_{DRVP} = 10V$	1	5		mA
DRVP Off-Leakage Current		$V_{FBP} = 1.4V$, $V_{DRVP} = 28V$		0.01	10	μA
Soft-Start Period	t_{SS}			14		ms
Soft-Start Step Size				$V_{REF} / 128$		V
GATE-OFF LINEAR-REGULATOR CONTROLLER						
FBN Regulation Voltage	V_{FBN}	$I_{DRVN} = 100\mu A$	235	250	265	mV
FBN Fault Trip Level		V_{FBN} rising	370	420	470	mV
FBN Input Bias Current	I_{FBN}	$V_{FBN} = 0$	-50		+50	nA
FBN Effective Load-Regulation Error (Transconductance)		$V_{DRVN} = -10V$, $I_{DRVN} = 50\mu A$ to 1mA		11	25	mV
FBN Line (IN) Regulation Error		$I_{DRVN} = 0.1mA$, $2.6V < V_{IN} < 5.5V$		+0.7	± 5	mV
DRVN Source Current	I_{DRVN}	$V_{FBN} = 500mV$, $V_{DRVN} = -10V$	1	4		mA
DRVN Off-Leakage Current		$V_{FBN} = 0V$, $V_{DRVN} = -25V$		-0.01	-10	μA
Soft-Start Period	t_{SS}			14		ms
Soft-Start Step Size				$V_{REF} / 128$		V
POSITIVE GATE-DRIVER TIMING AND CONTROL SWITCHES						
DEL Capacitor Charge Current		During startup, $V_{DEL} = 1V$	4	5	6	μA
DEL Turn-On Threshold	$V_{TH(DEL)}$		1.19	1.25	1.31	V
DEL Discharge Switch On-Resistance		During UVLO, $V_{IN} = 2.2V$		20		Ω
CTL Input Low Voltage		$V_{IN} = 2.6V$ to $5.5V$			0.6	V
CTL Input High Voltage		$V_{IN} = 2.6V$ to $5.5V$	2			V
CTL Input Leakage Current		CTL = AGND or IN	-1		+1	μA
CTL-to-SRC Propagation Delay				100		ns
SRC Input Voltage Range					28	V
SRC Input Current	I_{SRC}	$V_{DEL} = 1.5V$, CTL = IN		50	100	μA
		$V_{DEL} = 1.5V$, CTL = AGND		15	30	
SRC to COM Switch On-Resistance	$R_{SRC(ON)}$	$V_{DEL} = 1.5V$, CTL = IN		6	12	Ω
DRN to COM Switch On-Resistance	$R_{DRN(ON)}$	$V_{DEL} = 1.5V$, CTL = AGND		35	70	Ω
COM to PGND Switch On-Resistance	$R_{COM(ON)}$	$V_{DEL} = 1.1V$	350	1000	1800	Ω

TFT-LCD DC-DC Converters with Operational Amplifiers

MAX1516/MAX1517/MAX1518

ELECTRICAL CHARACTERISTICS

($V_{IN} = 3V$, $V_{SUP} = 8V$, $PGND = AGND = BGND = 0$, $I_{REF} = 25\mu A$, $T_A = -40^{\circ}C$ to $+85^{\circ}C$, unless otherwise noted.) (Note 1)

PARAMETER	SYMBOL	CONDITIONS	MIN	MAX	UNITS
IN Supply Range	V_{IN}		2.6	5.5	V
IN Undervoltage-Lockout Threshold	V_{UVLO}	V_{IN} rising, typical hysteresis = 150mV	2.265	2.715	V
IN Quiescent Current	I_{IN}	$V_{FB} = V_{FBP} = 1.4V$, $V_{FBN} = 0$, LX not switching		0.8	mA
		$V_{FB} = 1.1V$, $V_{FBP} = 1.4V$, $V_{FBN} = 0$, LX switching		11	
REF Output Voltage		$-2\mu A < I_{REF} < 50\mu A$, $V_{IN} = 2.6V$ to $5.5V$	1.222	1.269	V
MAIN STEP-UP REGULATOR					
Output Voltage Range	V_{MAIN}		V_{IN}	13	V
Operating Frequency	f_{OSC}		1020	1380	kHz
FB Regulation Voltage	V_{FB}	No load	1.212	1.250	V
FB Line Regulation		$V_{IN} = 2.6V$ to $5.5V$		± 0.15	%/V
FB Input Bias Current		$V_{FB} = 1.4V$	-40	+40	nA
FB Transconductance		$\Delta I_{COMP} = 5\mu A$	75	300	μS
LX On-Resistance	$R_{LX(ON)}$			250	m Ω
LX Current Limit	I_{LIM}	$V_{FB} = 1V$, duty cycle = 65%	2.5	3.5	A
OPERATIONAL AMPLIFIERS					
SUP Supply Range	V_{SUP}		4.5	13.0	V
SUP Supply Current	I_{SUP}	Buffer configuration, $V_{POS_-} = 4V$, no load	MAX1518	4.8	mA
			MAX1517	3.0	
			MAX1516	1.1	
Input Offset Voltage	V_{OS}	$(V_{NEG_-}, V_{POS_-}, V_{OUT_-}) \cong V_{SUP} / 2$		12	mV
Input Common-Mode Range	V_{CM}		0	V_{SUP}	V
Output Voltage Swing, High	V_{OH}	$I_{OUT_-} = 100\mu A$		$V_{SUP} - 15$	mV
		$I_{OUT_-} = 5mA$		$V_{SUP} - 150$	
Output Voltage Swing, Low	V_{OL}	$I_{OUT_-} = -100\mu A$		15	mV
		$I_{OUT_-} = -5mA$		150	
Short-Circuit Current		To $V_{SUP} / 2$	Source	50	mA
			Sink	50	
Output Source and Sink Current		$(V_{NEG_-}, V_{POS_-}, V_{OUT_-}) \cong V_{SUP} / 2$, $ \Delta V_{OS} < 10mV$	40		mA
GATE-ON LINEAR-REGULATOR CONTROLLER					
FBP Regulation Voltage	V_{FBP}	$I_{DRVP} = 100\mu A$	1.218	1.269	V

TFT-LCD DC-DC Converters with Operational Amplifiers

ELECTRICAL CHARACTERISTICS (continued)

($V_{IN} = 3V$, $V_{SUP} = 8V$, $PGND = AGND = BGND = 0$, $I_{REF} = 25\mu A$, $T_A = -40^{\circ}C$ to $+85^{\circ}C$, unless otherwise noted.) (Note 1)

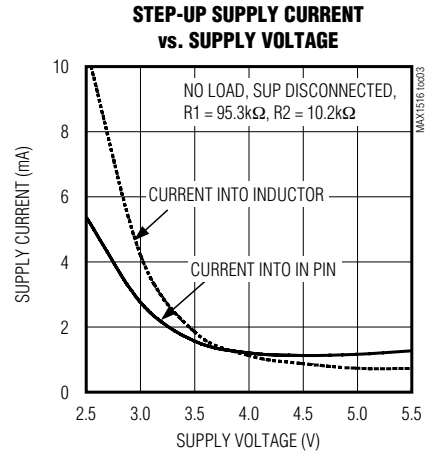
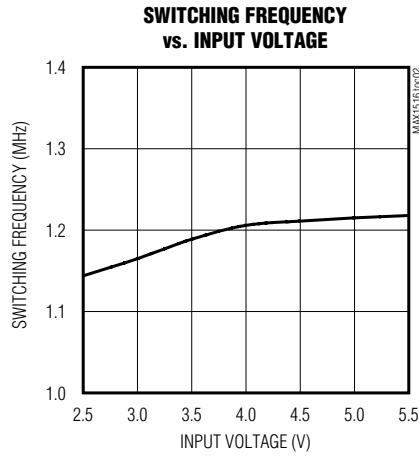
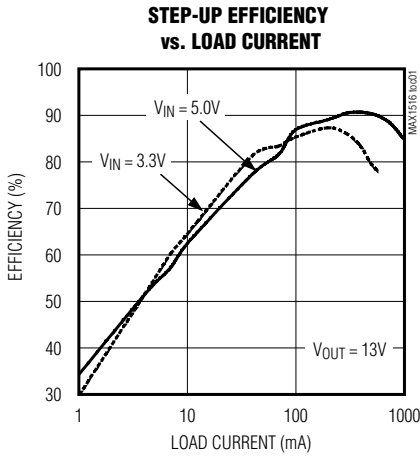
PARAMETER	SYMBOL	CONDITIONS	MIN	MAX	UNITS
FBP Effective Load-Regulation Error (Transconductance)		$V_{DRVP} = 10V$, $I_{DRVP} = 50\mu A$ to $1mA$		-2	%
FBP Line (IN) Regulation Error		$I_{DRVP} = 100\mu A$, $2.6V < V_{IN} < 5.5V$		5	mV
DRVP Sink Current	I_{DRVP}	$V_{FBP} = 1.1V$, $V_{DRVP} = 10V$	1		mA
GATE-OFF LINEAR-REGULATOR CONTROLLER					
FBN Regulation Voltage	V_{FBN}	$I_{DRVN} = 100\mu A$	235	265	mV
FBN Effective Load-Regulation Error (Transconductance)		$V_{DRVN} = -10V$, $I_{DRVN} = 50\mu A$ to $1mA$		25	mV
FBN Line (IN) Regulation Error		$I_{DRVN} = 0.1mA$, $2.6V < V_{IN} < 5.5V$		5	mV
DRVN Source Current	I_{DRVN}	$V_{FBN} = 500mV$, $V_{DRVN} = -10V$	1		mA
POSITIVE GATE-DRIVER TIMING AND CONTROL SWITCHES					
DEL Capacitor Charge Current		During startup, $V_{DEL} = 1V$	4	6	μA
DEL Turn-On Threshold	$V_{TH(DEL)}$		1.19	1.31	V
CTL Input Low Voltage		$V_{IN} = 2.6V$ to $5.5V$		0.6	V
CTL Input High Voltage		$V_{IN} = 2.6V$ to $5.5V$	2		V
SRC Input Voltage Range				28	V
SRC Input Current	I_{SRC}	$V_{DEL} = 1.5V$, CTL = IN		100	μA
		$V_{DEL} = 1.5V$, CTL = AGND		30	
SRC to COM Switch On-Resistance	$R_{SRC(ON)}$	$V_{DEL} = 1.5V$, CTL = IN		12	Ω
DRN to COM Switch On-Resistance	$R_{DRN(ON)}$	$V_{DEL} = 1.5V$, CTL = AGND		70	Ω
COM to PGND Switch On-Resistance	$R_{COM(ON)}$	$V_{DEL} = 1.1V$	350	1800	Ω

Note 1: Specifications to $-40^{\circ}C$ are guaranteed by design, not production tested.

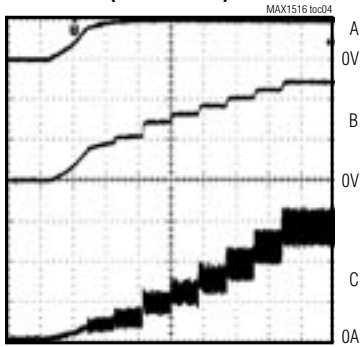
TFT-LCD DC-DC Converters with Operational Amplifiers

Typical Operating Characteristics

(Circuit of Figure 1. $V_{IN} = 5V$, $V_{MAIN} = 13V$, $V_{GON} = 24V$, $V_{GOFF} = -8V$, $V_{OUT1} = V_{OUT2} = V_{OUT3} = V_{OUT4} = V_{OUT5} = 6.5V$, $T_A = +25^\circ C$ unless otherwise noted.)

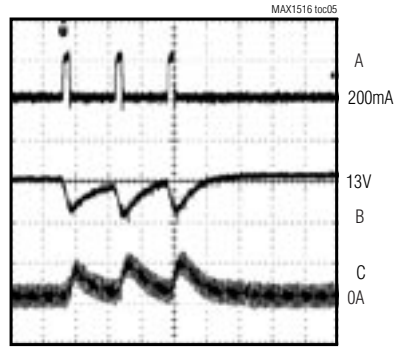


STEP-UP REGULATOR SOFT-START (HEAVY LOAD)



A: V_{IN} , 5V/div
 B: V_{MAIN} , 5V/div
 C: INDUCTOR CURRENT, 1A/div

STEP-UP REGULATOR PULSED LOAD-TRANSIENT RESPONSE



A: LOAD CURRENT, 1A/div
 B: V_{MAIN} , 200mV/div, AC-COUPLED
 C: INDUCTOR CURRENT, 1A/div

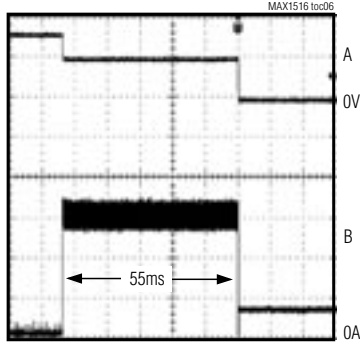
MAX1516/MAX1517/MAX1518

TFT-LCD DC-DC Converters with Operational Amplifiers

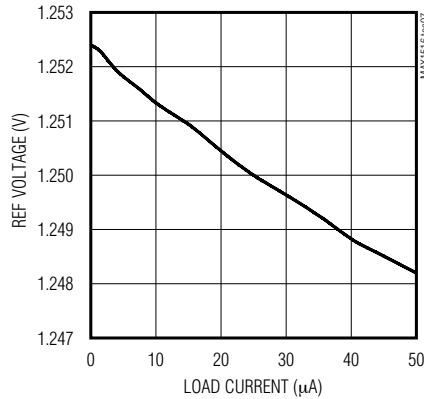
Typical Operating Characteristics (continued)

(Circuit of Figure 1. $V_{IN} = 5V$, $V_{MAIN} = 13V$, $V_{GON} = 24V$, $V_{GOFF} = -8V$, $V_{OUT1} = V_{OUT2} = V_{OUT3} = V_{OUT4} = V_{OUT5} = 6.5V$, $T_A = +25^\circ C$ unless otherwise noted.)

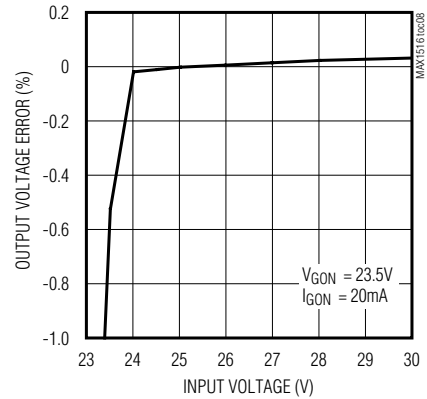
**TIMER DELAY LATCH
RESPONSE TO OVERLOAD**



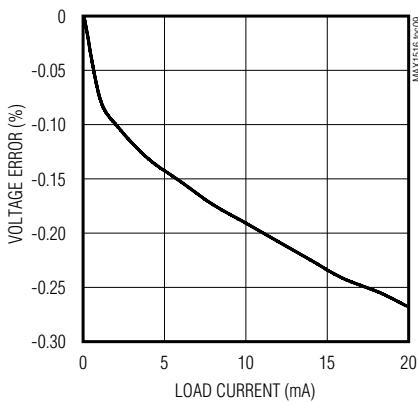
REF VOLTAGE LOAD REGULATION



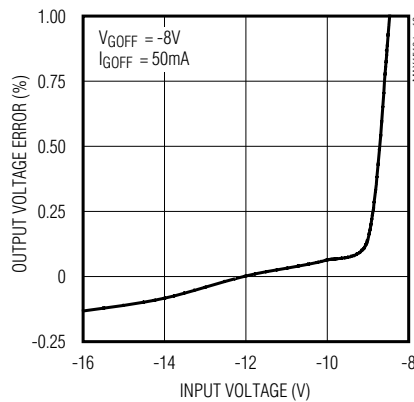
GATE-ON REGULATOR LINE REGULATION



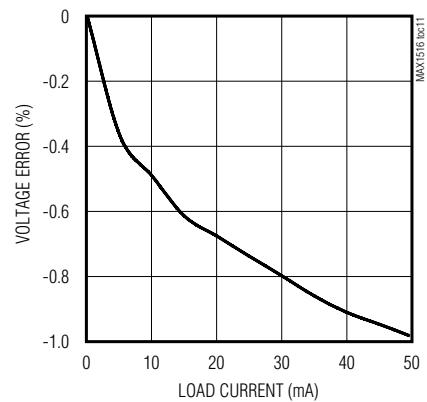
GATE-ON REGULATOR LOAD REGULATION



GATE-OFF REGULATOR LINE REGULATION



GATE-OFF REGULATOR LOAD REGULATION

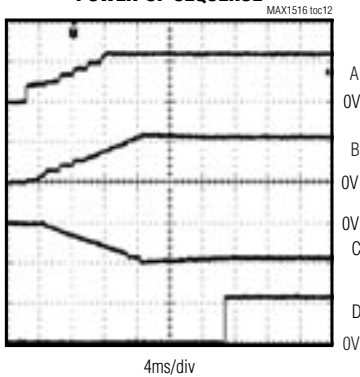


TFT-LCD DC-DC Converters with Operational Amplifiers

Typical Operating Characteristics (continued)

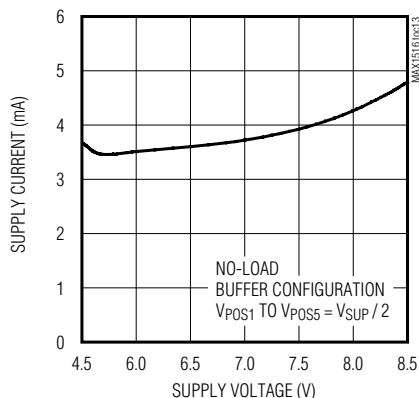
(Circuit of Figure 1. $V_{IN} = 5V$, $V_{MAIN} = 13V$, $V_{GON} = 24V$, $V_{GOFF} = -8V$, $V_{OUT1} = V_{OUT2} = V_{OUT3} = V_{OUT4} = V_{OUT5} = 6.5V$, $T_A = +25^\circ C$ unless otherwise noted.)

POWER-UP SEQUENCE

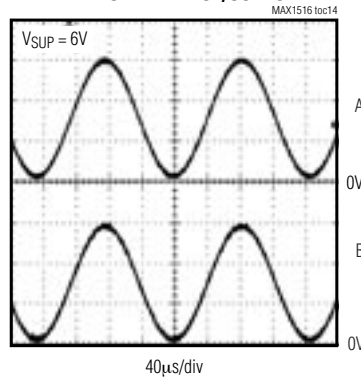


A: V_{MAIN} , 10V/div
B: V_{SR} , 20V/div
C: V_{GOFF} , 10V/div
D: V_{GON} , 20V/div

**MAX1518 OPERATIONAL-AMPLIFIER
SUPPLY CURRENT vs. SUPPLY VOLTAGE**

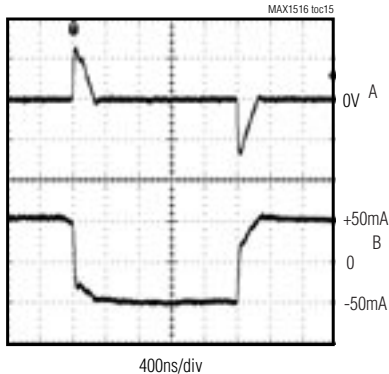


**OPERATIONAL-AMPLIFIER
RAIL-TO-RAIL INPUT/OUTPUT**



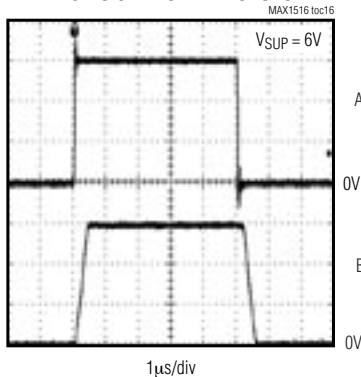
A: INPUT SIGNAL, 2V/div
B: OUTPUT SIGNAL, 2V/div

**OPERATIONAL-AMPLIFIER
LOAD-TRANSIENT RESPONSE**



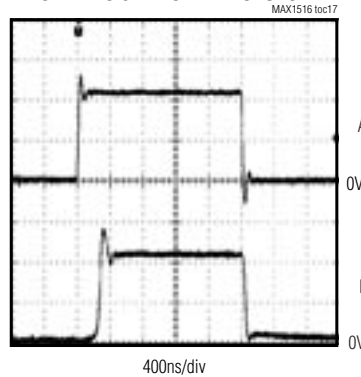
A: OUTPUT VOLTAGE, 1V/div, AC-COUPLED
B: OUTPUT CURRENT, 50mA/div

**OPERATIONAL-AMPLIFIER
LARGE-SIGNAL STEP RESPONSE**



A: INPUT SIGNAL, 2V/div
B: OUTPUT SIGNAL, 2V/div

**OPERATIONAL-AMPLIFIER
SMALL-SIGNAL STEP RESPONSE**



A: INPUT SIGNAL, 100mV/div
B: OUTPUT SIGNAL, 100mV/div

MAX1516/MAX1517/MAX1518

TFT-LCD DC-DC Converters with Operational Amplifiers

Pin Description

PIN	NAME			FUNCTION
	MAX1516	MAX1517	MAX1518	
1	SRC	SRC	SRC	Switch Input. Source of the internal high-voltage p-channel MOSFET. Bypass SRC to PGND with a minimum 0.1 μ F capacitor close to the pins.
2	REF	REF	REF	Reference Bypass Terminal. Bypass REF to AGND with a minimum of 0.22 μ F close to the pins.
3	AGND	AGND	AGND	Analog Ground for Step-Up Regulator and Linear Regulators. Connect to power ground (PGND) underneath the IC.
4	PGND	PGND	PGND	Power Ground. PGND is the source of the main step-up n-channel power MOSFET. Connect PGND to the input-capacitor ground terminals through a short, wide PC board trace. Connect to analog ground (AGND) underneath the IC.
5	OUT1	OUT1	OUT1	Operational-Amplifier 1 Output
6	NEG1	NEG1	NEG1	Operational-Amplifier 1 Inverting Input
7	POS1	POS1	POS1	Operational-Amplifier 1 Noninverting Input
8	N.C.	OUT2	OUT2	Operational-Amplifier 2 Output for the MAX1518 and MAX1517. Not Internally Connected for the MAX1516.
9	N.C.	NEG2	NEG2	Operational-Amplifier 2 Inverting Input for the MAX1518 and MAX1517. Not Internally Connected for the MAX1516.
10	I. C.	POS2	POS2	Operational-Amplifier 2 Noninverting Input for the MAX1518 and MAX1517. Internally Connected for the MAX1516. Connect this pin to GND for the MAX1516.
11	BGND	BGND	BGND	Analog Ground for Operational Amplifiers. Connect to power ground (PGND) underneath the IC.
12	N.C.	N.C.	POS3	Operational-Amplifier 3 Noninverting Input for the MAX1518. Not Internally Connected for the MAX1517 and MAX1516.
13	N.C.	N.C.	OUT3	Operational-Amplifier 3 Output. Not Internally Connected for the MAX1517 and MAX1516.
14	SUP	SUP	SUP	Operational-Amplifier Power Input. Positive supply rail for the operational amplifiers. Typically connected to V _{MAIN} . Bypass SUP to BGND with a 0.1 μ F capacitor.
15	N.C.	POS3	POS4	Operational-Amplifier 4 Noninverting Input for the MAX1518. Operational-Amplifier 3 Noninverting Input for the MAX1517. Not Internally Connected for the MAX1516.
16	N.C.	NEG3	NEG4	Operational-Amplifier 4 Inverting Input for the MAX1518. Operational-Amplifier 3 Inverting Input for the MAX1517. Not Internally Connected for the MAX1516.
17	N.C.	OUT3	OUT4	Operational-Amplifier 4 Output for the MAX1518. Operational-Amplifier 3 Output for the MAX1517. Not Internally Connected for the MAX1516.
18	I. C.	I. C.	POS5	Operational-Amplifier 5 Noninverting Input for the MAX1518. Internally Connected for the MAX1517 and MAX1516. Connect this pin to GND for the MAX1517 and MAX1516.
19	N.C.	N.C.	NEG5	Operational-Amplifier 5 Inverting Input. Not Internally Connected for the MAX1517 and MAX1516.

TFT-LCD DC-DC Converters with Operational Amplifiers

Pin Description (continued)

MAX1516/MAX1517/MAX1518

PIN	NAME			FUNCTION
	MAX1516	MAX1517	MAX1518	
20	N.C.	N.C.	OUT5	Operational-Amplifier 5 Output. Not Internally Connected for the MAX1517 and MAX1516.
21	LX	LX	LX	N-Channel Power MOSFET Drain and Switching Node. Connect the inductor and Schottky diode to LX and minimize the trace area for lowest EMI.
22	IN	IN	IN	Supply Voltage Input. IN can range from 2.6V to 5.5V.
23	FB	FB	FB	Step-Up Regulator Feedback Input. Regulates to 1.236V (nominal). Connect a resistive voltage-divider from the output (V_{MAIN}) to FB to analog ground (AGND). Place the divider within 5mm of FB.
24	COMP	COMP	COMP	Step-Up Regulator Error-Amplifier Compensation Point. Connect a series RC from COMP to AGND. See the <i>Loop Compensation</i> section for component selection guidelines.
25	FBP	FBP	FBP	Gate-On Linear-Regulator Feedback Input. FBP regulates to 1.25V (nominal). Connect FBP to the center of a resistive voltage-divider between the regulator output and AGND to set the gate-on linear-regulator output voltage. Place the resistive voltage-divider close to the pin.
26	DRVP	DRVP	DRVP	Gate-On Linear-Regulator Base Drive. Open drain of an internal n-channel MOSFET. Connect DRVP to the base of an external pnp pass transistor. See the <i>Pass-Transistor Selection</i> section.
27	FBN	FBN	FBN	Gate-Off Linear-Regulator Feedback Input. FBN regulates to 250mV (nominal). Connect FBN to the center of a resistive voltage-divider between the regulator output and REF to set the gate-off linear-regulator output voltage. Place the resistive voltage-divider close to the pin.
28	DRVN	DRVN	DRVN	Gate-Off Linear-Regulator Base Drive. Open drain of an internal p-channel MOSFET. Connect DRVN to the base of an external npn pass transistor. See the <i>Pass-Transistor Selection</i> section.
29	DEL	DEL	DEL	High-Voltage Switch Delay Input. Connect a capacitor from DEL to AGND to set the high-voltage switch startup delay.
30	CTL	CTL	CTL	High-Voltage Switch Control Input. When CTL is high, the high-voltage switch between COM and SRC is on and the high-voltage switch between COM and DRN is off. When CTL is low, the high-voltage switch between COM and SRC is off and the high-voltage switch between COM and DRN is on. CTL is inhibited by the undervoltage lockout and when the voltage on DEL is less than 1.25V.
31	DRN	DRN	DRN	Switch Input. Drain of the internal high-voltage back-to-back p-channel MOSFETs connected to COM.
32	COM	COM	COM	Internal High-Voltage MOSFET Switch Common Terminal. Do not allow the voltage on COM to exceed V_{SRC} .

TFT-LCD DC-DC Converters with Operational Amplifiers

Typical Operating Circuit

The MAX1518 *Typical Operating Circuit* (Figure 1) is a complete power-supply system for TFT LCDs. The circuit generates a +13V source-driver supply and +24V and -8V gate-driver supplies. The input voltage range for the IC is from +2.6V to +5.5V. The listed load currents in Figure 1 are available from a +4.5V to +5.5V supply. Table 1 lists some recommended components, and Table 2 lists the contact information of component suppliers.

Detailed Description

The MAX1516/MAX1517/MAX1518 contain a high-performance step-up switching regulator, two low-cost linear-regulator controllers, multiple high-current operational amplifiers, and startup timing and level-shifting functionality useful for active-matrix TFT LCDs. Figure 2 shows the MAX1518 *Functional Diagram*.

Main Step-Up Regulator

The main step-up regulator employs a current-mode, fixed-frequency PWM architecture to maximize loop bandwidth and provide fast transient response to pulsed loads typical of TFT-LCD panel source drivers. The 1.2MHz switching frequency allows the use of low-profile inductors and ceramic capacitors to minimize the thickness of LCD panel designs. The integrated high-efficiency MOSFET and the IC's built-in digital soft-start functions reduce the number of external components required while controlling inrush currents. The output voltage can be set from V_{IN} to 13V with an external resistive voltage-divider. To generate an output voltage greater than 13V, an external cascoded MOSFET is needed. See the *Generating Output Voltages > 13V* section in the *Design Procedures*.

The regulator controls the output voltage and the power delivered to the output by modulating the duty cycle (D) of the internal power MOSFET in each switching cycle. The duty cycle of the MOSFET is approximated by:

$$D \approx \frac{V_{MAIN} - V_{IN}}{V_{MAIN}}$$

Table 1. Component List

DESIGNATION	DESCRIPTION
C1	22 μ F, 6.3V X5R ceramic capacitor (1210) TDK C3225X5R0J227M
C2	22 μ F, 16V X5R ceramic capacitor (1812) TDK C4532X5X1C226M
D1	3A, 30V Schottky diode (M-flat) Toshiba CMS02
D2, D3	200mA, 100V, dual ultra-fast diodes (SOT23) Fairchild MMBD4148SE
L1	3.0 μ H, 3A inductor Sumida CDRH6D28-3R0
Q1	200mA, 40V pnp bipolar transistor (SOT23) Fairchild MMBT3906
Q2	200mA, 40V npn bipolar transistor (SOT23) Fairchild MMBT3904

Figure 3 shows the *Functional Diagram* of the step-up regulator. An error amplifier compares the signal at FB to 1.236V and changes the COMP output. The voltage at COMP sets the peak inductor current. As the load varies, the error amplifier sources or sinks current to the COMP output accordingly to produce the inductor peak current necessary to service the load. To maintain stability at high duty cycles, a slope-compensation signal is summed with the current-sense signal.

On the rising edge of the internal clock, the controller sets a flip-flop, turning on the n-channel MOSFET and applying the input voltage across the inductor. The current through the inductor ramps up linearly, storing energy in its magnetic field. Once the sum of the current-feedback signal and the slope compensation exceeds the COMP voltage, the controller resets the flip-flop and turns off the MOSFET. Since the inductor current is continuous, a transverse potential develops across the inductor that turns on the diode (D1). The voltage across the inductor then becomes the difference between the output voltage and the input voltage.

Table 2. Component Suppliers

SUPPLIER	PHONE	FAX	WEBSITE
Fairchild	408-822-2000	408-822-2102	www.fairchildsemi.com
Sumida	847-545-6700	847-545-6720	www.sumida.com
TDK	847-803-6100	847-390-4405	www.component.tdk.com
Toshiba	949-455-2000	949-859-3963	www.toshiba.com/taec

TFT-LCD DC-DC Converters with Operational Amplifiers

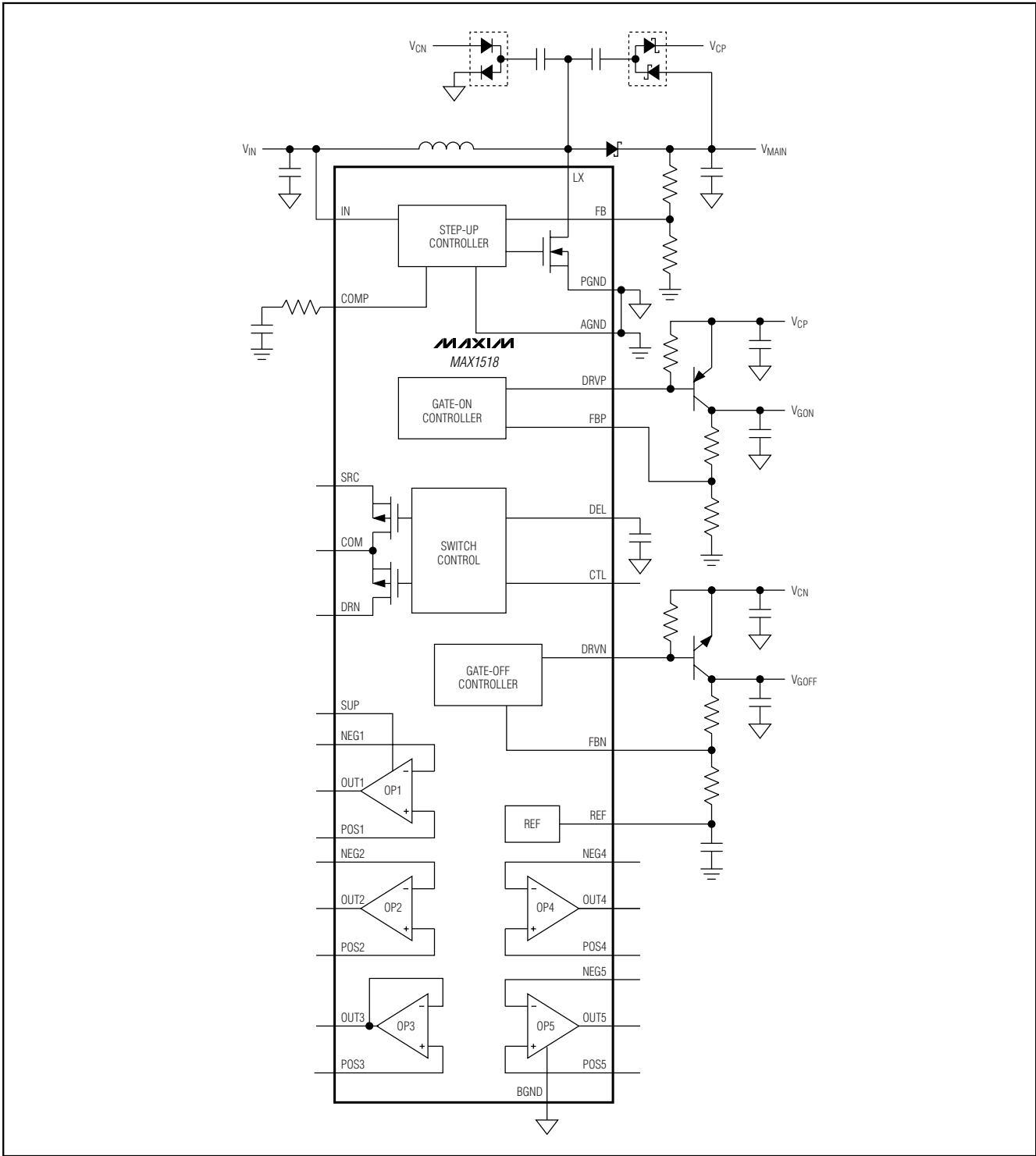


Figure 2. MAX1518 Functional Diagram

TFT-LCD DC-DC Converters with Operational Amplifiers

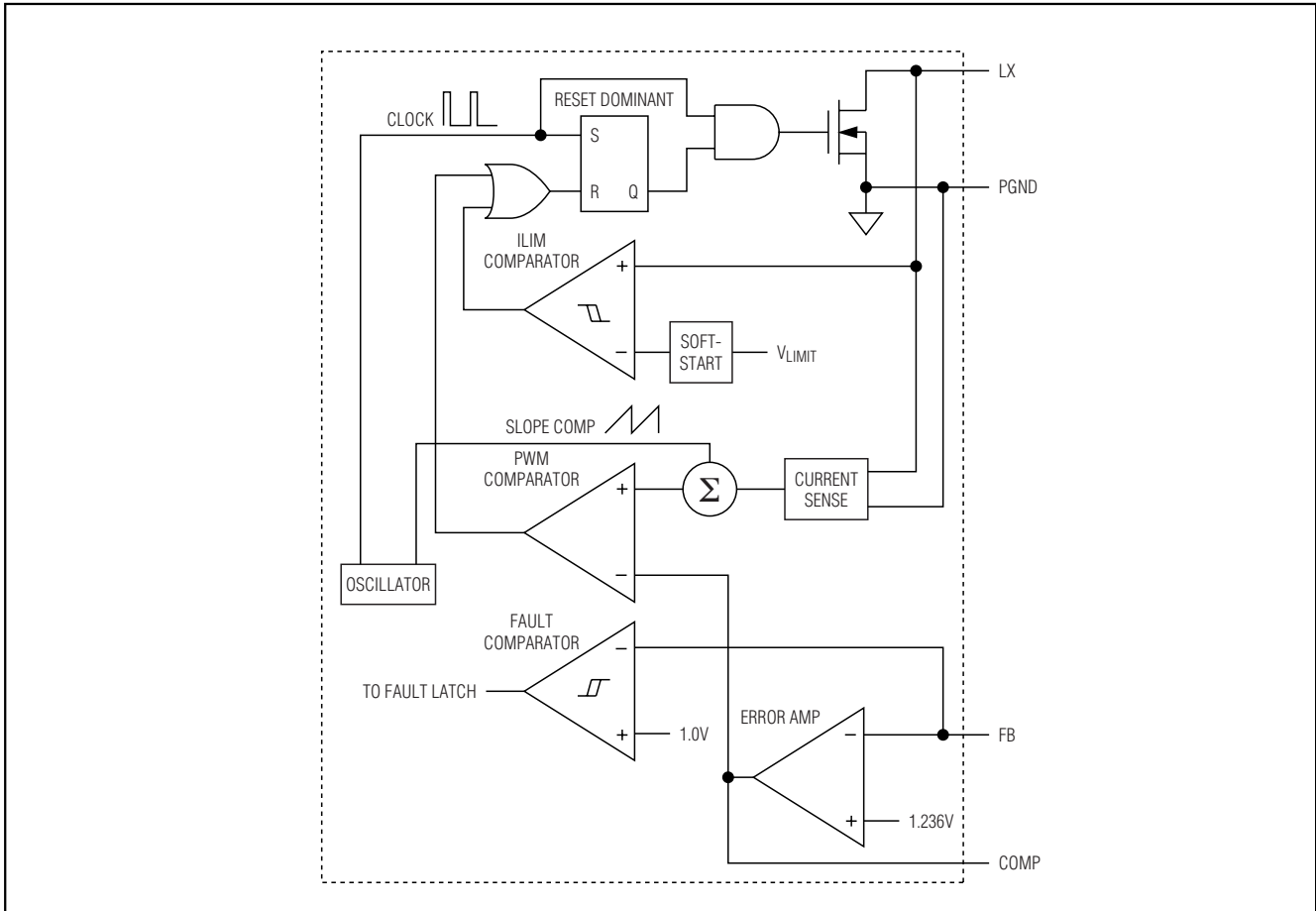


Figure 3. Step-Up Regulator Functional Diagram

This discharge condition forces the current through the inductor to ramp back down, transferring the energy stored in the magnetic field to the output capacitor and the load. The MOSFET remains off for the rest of the clock cycle.

Gate-On Linear-Regulator Controller, REG P

The gate-on linear-regulator controller (REG P) is an analog gain block with an open-drain n-channel output. It drives an external pnp pass transistor with a 6.8kΩ base-to-emitter resistor (Figure 1). Its guaranteed base-drive sink current is at least 1mA. The regulator including Q1 in Figure 1 uses a 0.47μF ceramic output capacitor and is designed to deliver 20mA at 24V. Other output voltages and currents are possible with the proper pass transistor and output capacitor. See the *Pass-Transistor Selection* and *Stability Requirements* sections.

REG P is typically used to provide the TFT-LCD gate drivers' gate-on voltage. Use a charge pump with as many stages as necessary to obtain a voltage exceeding the required gate-on voltage (see the *Selecting the Number of Charge-Pump Stages* section). Note the voltage rating of the DRVP is 28V. If the charge-pump output voltage can exceed 28V, an external cascode npn transistor should be added as shown in Figure 4. Alternately, the linear regulator can control an intermediate charge-pump stage while regulating the final charge-pump output (Figure 5).

REG P is enabled after the REF voltage exceeds 1.0V. Each time it is enabled, the controller goes through a soft-start routine that ramps up its internal reference DAC in 128 steps.

TFT-LCD DC-DC Converters with Operational Amplifiers

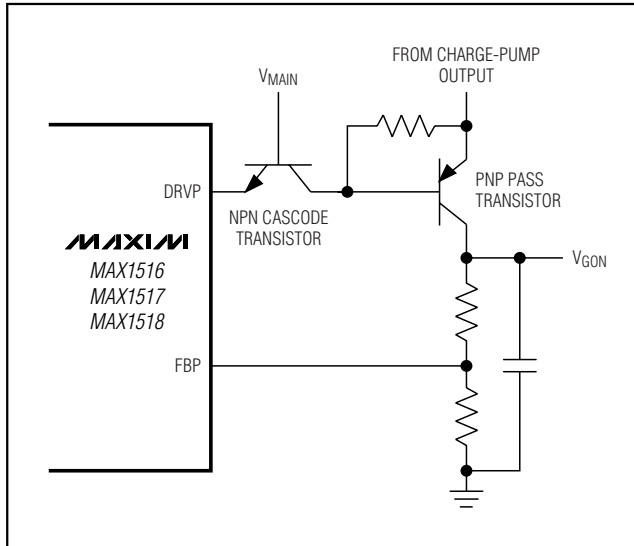


Figure 4. Using Cascoded npn for Charge-Pump Output Voltages >28V

Gate-Off Linear-Regulator Controller, REG N

The gate-off linear-regulator controller (REG N) is an analog gain block with an open-drain p-channel output. It drives an external npn pass transistor with a 6.8k Ω base-to-emitter resistor (Figure 1). Its guaranteed base-drive source current is at least 1mA. The regulator including Q2 in Figure 1 uses a 0.47 μ F ceramic output capacitor and is designed to deliver 50mA at -8V. Other output voltages and currents are possible with the proper pass transistor and output capacitor (see the *Pass-Transistor Selection* and *Stability Requirements* sections).

REG N is typically used to provide the TFT-LCD gate drivers' gate-off voltage. A negative voltage can be produced using a charge-pump circuit as shown in Figure 1. REG N is enabled after the voltage on REF exceeds 1.0V. Each time it is enabled, the control goes through a soft-start routine that ramps down its internal reference DAC from VREF to 250mV in 128 steps.

Operational Amplifiers

The MAX1518 has five operational amplifiers, the MAX1517 has three operational amplifiers, and the MAX1516 has one operational amplifier. The operational amplifiers are typically used to drive the LCD backplane (VCOM) or the gamma-correction divider string. They feature ± 150 mA output short-circuit current, 13V/ μ s slew rate, and 12MHz bandwidth. The rail-to-rail input and output capability maximizes system flexibility.

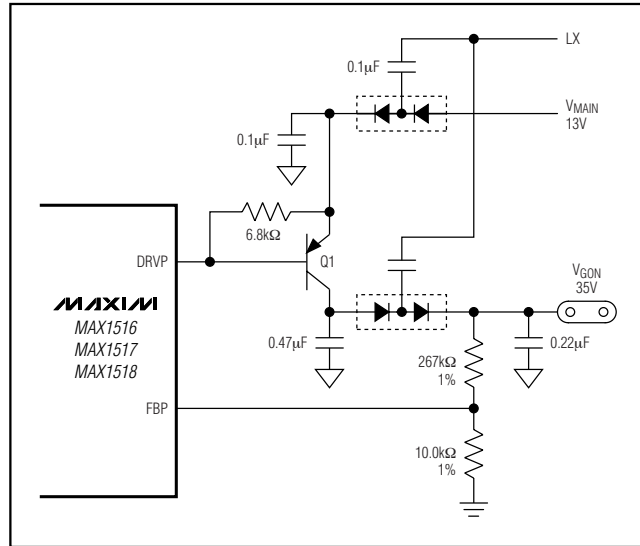


Figure 5. The linear regulator controls the intermediate charge-pump stage.

Short-Circuit Current Limit

The operational amplifiers limit short-circuit current to approximately ± 150 mA if the output is directly shorted to SUP or to BGND. If the short-circuit condition persists, the junction temperature of the IC rises until it reaches the thermal-shutdown threshold ($+160^{\circ}\text{C}$ typ). Once the junction temperature reaches the thermal-shutdown threshold, an internal thermal sensor immediately sets the thermal fault latch, shutting off all the IC's outputs. The device remains inactive until the input voltage is cycled.

Driving Pure Capacitive Load

The operational amplifiers are typically used to drive the LCD backplane (VCOM) or the gamma-correction divider string. The LCD backplane consists of a distributed series capacitance and resistance, a load that can be easily driven by the operational amplifier. However, if the operational amplifier is used in an application with a pure capacitive load, steps must be taken to ensure stable operation.

As the operational amplifier's capacitive load increases, the amplifier's bandwidth decreases and gain peaking increases. A 5 Ω to 50 Ω small resistor placed between OUT₋ and the capacitive load reduces peaking but also reduces the gain. An alternative method of reducing peaking is to place a series RC network (snubber) in parallel with the capacitive load. The RC network does not continuously load the output or reduce the gain. Typical values of the resistor are between 100 Ω and 200 Ω , and the typical value of the capacitor is 10nF.

TFT-LCD DC-DC Converters with Operational Amplifiers

Undervoltage Lockout (UVLO)

The undervoltage-lockout (UVLO) circuit compares the input voltage at IN with the UVLO threshold (2.5V rising, 2.35V falling, typ) to ensure the input voltage is high enough for reliable operation. The 150mV (typ) hysteresis prevents supply transients from causing a restart. Once the input voltage exceeds the UVLO rising threshold, startup begins. When the input voltage falls below the UVLO falling threshold, the controller turns off the main step-up regulator, turns off the linear-regulator outputs, and disables the switch control block; the operational-amplifier outputs are high impedance.

Reference Voltage (REF)

The reference output is nominally 1.25V and can source at least 50μA (see the *Typical Operating Characteristics*). Bypass REF with a 0.22μF ceramic capacitor connected between REF and AGND.

Power-Up Sequence and Soft-Start

Once the voltage on IN exceeds approximately 1.7V, the reference turns on. With a 0.22μF REF bypass capacitor, the reference reaches its regulation voltage of 1.25V in approximately 1ms. When the reference voltage exceeds 1.0V, the ICs enable the main step-up regulator, the gate-on linear-regulator controller, and the gate-off linear-regulator controller simultaneously.

The IC employs soft-start for each regulator to minimize inrush current and voltage overshoot and to ensure a well-defined startup behavior. During the soft-start, the main step-up regulator directly limits the peak inductor current. The current-limit level is increased through the soft-start period from 0 up to the full current-limit value in eight equal current steps (ILIM / 8). The maximum load current is available after the output voltage reaches regulation (which terminates soft-start), or after the soft-start timer expires. Both linear-regulator controllers use a 7-bit soft-start DAC. For the gate-on linear regulator, the DAC output is stepped in 128 steps from zero up to the reference voltage. For the gate-off linear regulator, the DAC output steps from the reference down to 250mV in 128 steps. The soft-start duration is 14ms (typ) for all three regulators.

A capacitor (C_{DEL}) from DEL to AGND determines the switch-control-block startup delay. After the input voltage exceeds the UVLO threshold (2.5V typ) and the soft-start routine for each regulator is complete and there is no fault detected, a 5μA current source starts charging C_{DEL}. Once the capacitor voltage exceeds

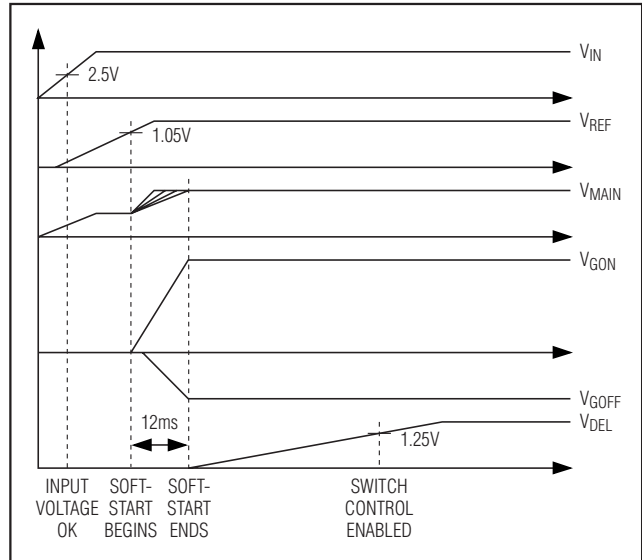


Figure 6. Power-Up Sequence

1.25V (typ), the switch-control block is enabled as shown in Figure 6. After the switch-control block is enabled, COM can be connected to SRC or DRN through the internal p-channel switches, depending upon the state of CTL. Before startup and when IN is less than V_{UVLO}, DEL is internally connected to AGND to discharge C_{DEL}. Select C_{DEL} to set the delay time using the following equation:

$$C_{DEL} = \text{DELAY_TIME} \times \frac{5\mu\text{A}}{1.25\text{V}}$$

Switch-Control Block

The switch-control input (CTL) is not activated until all four of the following conditions are satisfied: the input voltage exceeds V_{UVLO}, the soft-start routine of all the regulators is complete, there is no fault condition detected, and V_{DEL} exceeds its turn-on threshold. As shown in Figure 7, COM is pulled down to PGND through a 1kΩ resistor when the switch control is not activated. Once activated and if CTL is high, the 5Ω internal p-channel switch (Q1) between COM and SRC turns on and the 30Ω p-channel switch (Q2) between DRN and COM turns off. If CTL is low, Q1 turns off and Q2 turns on.

TFT-LCD DC-DC Converters with Operational Amplifiers

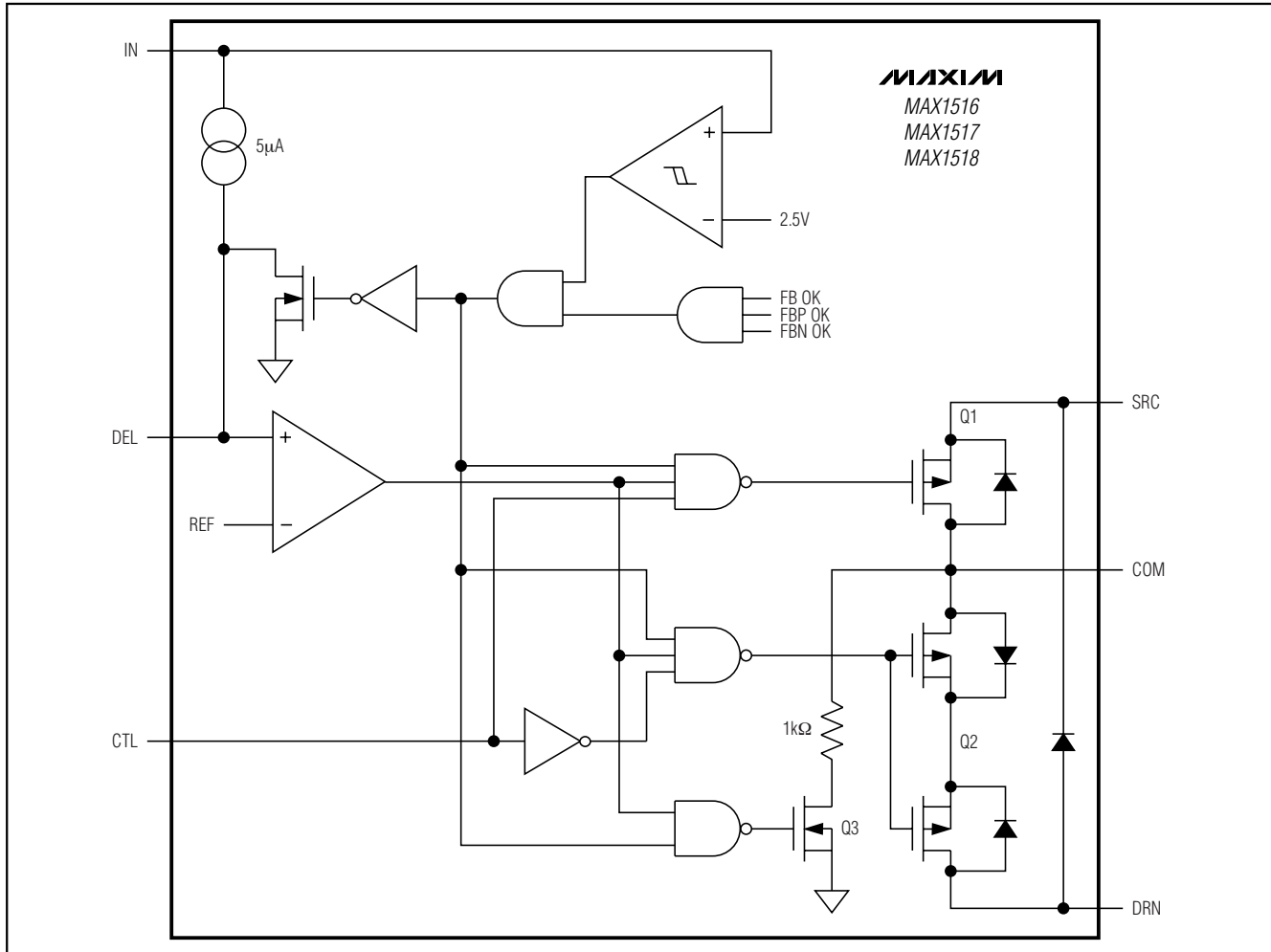


Figure 7. Switch-Control Block

Fault Protection

During steady-state operation, if the output of the main regulator or any of the linear-regulator outputs does not exceed its respective fault-detection threshold, the MAX1516/MAX1517/MAX1518 activate an internal fault timer. If any condition or combination of conditions indicates a continuous fault for the fault-timer duration (55ms typ), the MAX1516/MAX1517/MAX1518 set the fault latch to shut down all the outputs except the reference. Once the fault condition is removed, cycle the input voltage (below the UVLO falling threshold) to clear the fault latch and reactivate the device. The fault-detection circuit is disabled during the soft-start time.

Thermal-Overload Protection

Thermal-overload protection prevents excessive power dissipation from overheating the MAX1516/MAX1517/MAX1518. When the junction temperature exceeds $T_J = +160^\circ\text{C}$, a thermal sensor immediately activates the fault protection, which shuts down all outputs except the reference, allowing the device to cool down. Once the device cools down by approximately 15°C , cycle the input voltage (below the UVLO falling threshold) to clear the fault latch and reactivate the device.

The thermal-overload protection protects the controller in the event of fault conditions. For continuous operation, do not exceed the absolute maximum junction temperature rating of $T_J = +150^\circ\text{C}$.

TFT-LCD DC-DC Converters with Operational Amplifiers

Design Procedure

Main Step-Up Regulator

Inductor Selection

The minimum inductance value, peak current rating, and series resistance are factors to consider when selecting the inductor. These factors influence the converter's efficiency, maximum output load capability, transient-response time, and output voltage ripple. Size and cost are also important factors to consider.

The maximum output current, input voltage, output voltage, and switching frequency determine the inductor value. Very high inductance values minimize the current ripple and therefore reduce the peak current, which decreases core losses in the inductor and I²R losses in the entire power path. However, large inductor values also require more energy storage and more turns of wire, which increases size and can increase I²R losses in the inductor. Low inductance values decrease the size but increase the current ripple and peak current. Finding the best inductor involves choosing the best compromise between circuit efficiency, inductor size, and cost.

The equations used here include a constant LIR, which is the ratio of the inductor peak-to-peak ripple current to the average DC inductor current at the full load current. The best trade-off between inductor size and circuit efficiency for step-up regulators generally has an LIR between 0.3 and 0.5. However, depending on the AC characteristics of the inductor core material and ratio of inductor resistance to other power-path resistances, the best LIR can shift up or down. If the inductor resistance is relatively high, more ripple can be accepted to reduce the number of turns required and increase the wire diameter. If the inductor resistance is relatively low, increasing inductance to lower the peak current can decrease losses throughout the power path. If extremely thin high-resistance inductors are used, as is common for LCD-panel applications, the best LIR can increase to between 0.5 and 1.0.

Once a physical inductor is chosen, higher and lower values of the inductor should be evaluated for efficiency improvements in typical operating regions.

Calculate the approximate inductor value using the typical input voltage (V_{IN}), the maximum output current (I_{MAIN(MAX)}), the expected efficiency (η_{TYP}) taken from an appropriate curve in the *Typical Operating Characteristics* section, and an estimate of LIR based on the above discussion:

$$L = \left(\frac{V_{IN}}{V_{MAIN}} \right)^2 \left(\frac{V_{MAIN} - V_{IN}}{I_{MAIN(MAX)} \times f_{OSC}} \right) \left(\frac{\eta_{TYP}}{LIR} \right)$$

Choose an available inductor value from an appropriate inductor family. Calculate the maximum DC input current at the minimum input voltage (V_{IN(MIN)}) using conservation of energy and the expected efficiency at that operating point (η_{MIN}) taken from the appropriate curve in the *Typical Operating Characteristics*:

$$I_{N(DC,MAX)} = \frac{I_{MAIN(MAX)} \times V_{MAIN}}{V_{IN(MIN)} \times \eta_{MIN}}$$

Calculate the ripple current at that operating point and the peak current required for the inductor:

$$I_{RIPPLE} = \frac{V_{IN(MIN)} \times (V_{MAIN} - V_{IN(MIN)})}{L \times V_{MAIN} \times f_{OSC}}$$

$$I_{PEAK} = I_{N(DC,MAX)} + \frac{I_{RIPPLE}}{2}$$

The inductor's saturation current rating and the MAX1516/MAX1517/MAX1518's LX current limit (I_{LIM}) should exceed I_{PEAK}, and the inductor's DC current rating should exceed I_{N(DC,MAX)}. For good efficiency, choose an inductor with less than 0.1Ω series resistance.

Considering the *Typical Operating Circuit*, the maximum load current (I_{MAIN(MAX)}) is 500mA with a 13V output and a typical input voltage of 5V. Choosing an LIR of 0.5 and estimating efficiency of 85% at this operating point:

$$L = \left(\frac{5V}{13V} \right)^2 \left(\frac{13V - 5V}{0.5A \times 1.2MHz} \right) \left(\frac{0.85}{0.5} \right) \approx 3.3\mu H$$

Using the circuit's minimum input voltage (4.5V) and estimating efficiency of 80% at that operating point:

$$I_{N(DC,MAX)} = \frac{0.5A \times 13V}{4.5V \times 0.8} \approx 1.8A$$

The ripple current and the peak current are:

$$I_{RIPPLE} = \frac{4.5V \times (13V - 4.5V)}{3.3\mu H \times 13V \times 1.2MHz} \approx 0.74A$$

$$I_{PEAK} = 1.8A + \frac{0.74A}{2} \approx 2.2A$$

I²R is a registered trademark of Instruments for Research and Industry, Inc.

TFT-LCD DC-DC Converters with Operational Amplifiers

Output-Capacitor Selection

The total output voltage ripple has two components: the capacitive ripple caused by the charging and discharging of the output capacitance, and the ohmic ripple due to the capacitor's equivalent series resistance (ESR).

$$V_{\text{RIPPLE}} = V_{\text{RIPPLE}(C)} + V_{\text{RIPPLE}(ESR)}$$

$$V_{\text{RIPPLE}(C)} \approx \frac{I_{\text{MAIN}}}{C_{\text{OUT}}} \left(\frac{V_{\text{MAIN}} - V_{\text{IN}}}{V_{\text{MAIN}f_{\text{OSC}}}} \right), \text{ and}$$

$$V_{\text{RIPPLE}(ESR)} \approx I_{\text{PEAK}} R_{\text{ESR}}(C_{\text{OUT}})$$

where I_{PEAK} is the peak inductor current (see the *Inductor Selection* section). For ceramic capacitors, the output voltage ripple is typically dominated by $V_{\text{RIPPLE}(C)}$. The voltage rating and temperature characteristics of the output capacitor must also be considered.

Input-Capacitor Selection

The input capacitor (C_{IN}) reduces the current peaks drawn from the input supply and reduces noise injection into the IC. A 22 μ F ceramic capacitor is used in the *Typical Applications Circuit* (Figure 1) because of the high source impedance seen in typical lab setups. Actual applications usually have much lower source impedance since the step-up regulator often runs directly from the output of another regulated supply. Typically, C_{IN} can be reduced below the values used in the *Typical Applications Circuit*. Ensure a low-noise supply at IN by using adequate C_{IN} . Alternately, greater voltage variation can be tolerated on C_{IN} if IN is decoupled from C_{IN} using an RC lowpass filter (see R10 and C18 in Figure 1).

Rectifier Diode

The MAX1516/MAX1517/MAX1518s' high switching frequency demands a high-speed rectifier. Schottky diodes are recommended for most applications because of their fast recovery time and low forward voltage. In general, a 2A Schottky diode complements the internal MOSFET well.

Output-Voltage Selection

The output voltage of the main step-up regulator can be adjusted by connecting a resistive voltage-divider from the output (V_{MAIN}) to AGND with the center tap connected to FB (see Figure 1). Select R2 in the 10k Ω to 50k Ω range. Calculate R1 with the following equation:

$$R1 = R2 \times \left(\frac{V_{\text{MAIN}}}{V_{\text{FB}}} - 1 \right)$$

where V_{FB} , the step-up regulator's feedback set point, is 1.236V. Place R1 and R2 close to the IC.

Generating Output Voltages >13V

The maximum output voltage of the step-up regulator is 13V, which is limited by the absolute maximum rating of the internal power MOSFET. To achieve higher output voltages, an external n-channel MOSFET can be cascaded with the internal FET (Figure 8). Since the gate of the external FET is biased from the input supply, use a logic-level FET to ensure that the FET is fully enhanced at the minimum input voltage. The current rating of the FET needs to be higher than the IC's internal current limit.

Loop Compensation

Choose R_{COMP} to set the high-frequency integrator gain for fast transient response. Choose C_{COMP} to set the integrator zero to maintain loop stability.

For low-ESR output capacitors, use the following equations to obtain stable performance and good transient response:

$$R_{\text{COMP}} \approx \frac{315 \times V_{\text{IN}} \times V_{\text{OUT}} \times C_{\text{OUT}}}{L \times I_{\text{MAIN}(\text{MAX})}}$$

$$C_{\text{COMP}} \approx \frac{V_{\text{OUT}} \times C_{\text{OUT}}}{10 \times I_{\text{MAIN}(\text{MAX})} \times R_{\text{COMP}}}$$

To further optimize transient response, vary R_{COMP} in 20% steps and C_{COMP} in 50% steps while observing transient-response waveforms.

Charge Pumps

Selecting the Number of Charge-Pump Stages

For highest efficiency, always choose the lowest number of charge-pump stages that meet the output requirement. Figures 9 and 10 show the positive and negative charge-pump output voltages for a given V_{MAIN} for one-, two-, and three-stage charge pumps.

The number of positive charge-pump stages is given by:

$$n_{\text{POS}} = \frac{V_{\text{GON}} + V_{\text{DROPOUT}} - V_{\text{MAIN}}}{V_{\text{MAIN}} - 2 \times V_{\text{D}}}$$

where n_{POS} is the number of positive charge-pump stages, V_{GON} is the gate-on linear-regulator REG P output, V_{MAIN} is the main step-up regulator output, V_{D} is the forward-voltage drop of the charge-pump diode, and V_{DROPOUT} is the dropout margin for the linear regulator. Use $V_{\text{DROPOUT}} = 0.3\text{V}$.

TFT-LCD DC-DC Converters with Operational Amplifiers

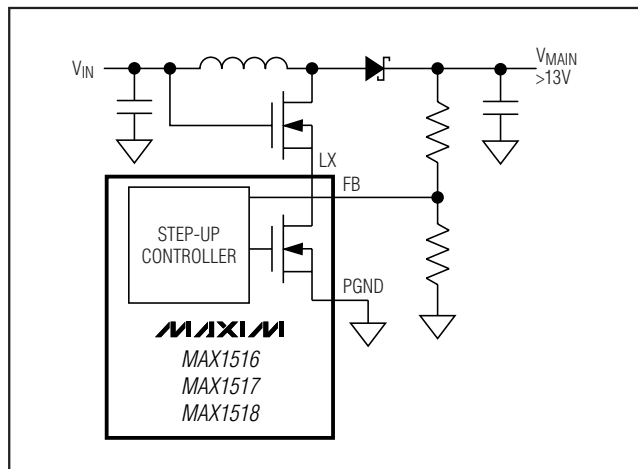


Figure 8. Operation with Output Voltages >13V Using Cascoded MOSFET

The number of negative charge-pump stages is given by:

$$n_{\text{NEG}} = \frac{-V_{\text{GOFF}} + V_{\text{DROPOUT}}}{V_{\text{MAIN}} - 2 \times V_{\text{D}}}$$

where n_{NEG} is the number of negative charge-pump stages, V_{GOFF} is the gate-off linear-regulator REG N output, V_{MAIN} is the main step-up regulator output, V_{D} is the forward-voltage drop of the charge-pump diode, and V_{DROPOUT} is the dropout margin for the linear regulator. Use $V_{\text{DROPOUT}} = 0.3\text{V}$.

The above equations are derived based on the assumption that the first stage of the positive charge pump is connected to V_{MAIN} and the first stage of the negative charge pump is connected to ground. Sometimes fractional stages are more desirable for better efficiency. This can be done by connecting the first stage to V_{IN} or another available supply. If the first charge-pump stage is powered from V_{IN} , then the above equations become:

$$n_{\text{POS}} = \frac{V_{\text{GON}} + V_{\text{DROPOUT}} + V_{\text{IN}}}{V_{\text{MAIN}} - 2 \times V_{\text{D}}}$$

$$n_{\text{NEG}} = \frac{-V_{\text{GOFF}} + V_{\text{DROPOUT}} + V_{\text{IN}}}{V_{\text{MAIN}} - 2 \times V_{\text{D}}}$$

Flying Capacitors

Increasing the flying-capacitor (C_{X}) value lowers the effective source impedance and increases the output-current capability. Increasing the capacitance indefi-

nately has a negligible effect on output-current capability because the internal switch resistance and the diode impedance place a lower limit on the source impedance. A $0.1\mu\text{F}$ ceramic capacitor works well in most low-current applications. The flying capacitor's voltage rating must exceed the following:

$$V_{\text{CX}} > n \times V_{\text{MAIN}}$$

where n is the stage number in which the flying capacitor appears, and V_{MAIN} is the output voltage of the main step-up regulator.

Charge-Pump Output Capacitor

Increasing the output capacitance or decreasing the ESR reduces the output ripple voltage and the peak-to-peak transient voltage. With ceramic capacitors, the output voltage ripple is dominated by the capacitance value. Use the following equation to approximate the required capacitor value:

$$C_{\text{OUT_CP}} \geq \frac{I_{\text{LOAD_CP}}}{2f_{\text{OSC}} V_{\text{RIPPLE_CP}}}$$

where $C_{\text{OUT_CP}}$ is the output capacitor of the charge pump, $I_{\text{LOAD_CP}}$ is the load current of the charge pump, and $V_{\text{RIPPLE_CP}}$ is the peak-to-peak value of the output ripple.

Charge-Pump Rectifier Diodes

Use low-cost silicon switching diodes with a current rating equal to or greater than two times the average charge-pump input current. If it helps avoid an extra stage, some or all of the diodes can be replaced with Schottky diodes with an equivalent current rating.

Linear-Regulator Controllers

Output-Voltage Selection

Adjust the gate-on linear-regulator (REG P) output voltage by connecting a resistive voltage-divider from the REG P output to AGND with the center tap connected to FBP (Figure 1). Select the lower resistor of the divider R_5 in the range of $10\text{k}\Omega$ to $30\text{k}\Omega$. Calculate the upper resistor R_4 with the following equation:

$$R_4 = R_5 \times \left(\frac{V_{\text{GON}}}{V_{\text{FBP}}} - 1 \right)$$

where $V_{\text{FBP}} = 1.25\text{V}$ (typ).

TFT-LCD DC-DC Converters with Operational Amplifiers

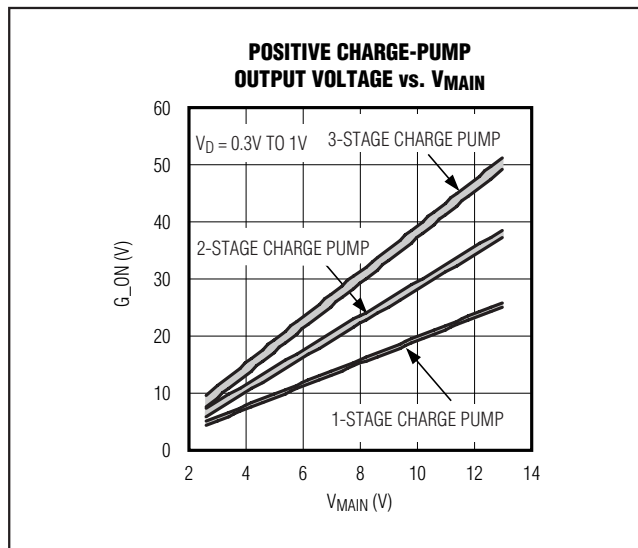


Figure 9. Positive Charge-Pump Output Voltage vs. V_{MAIN}

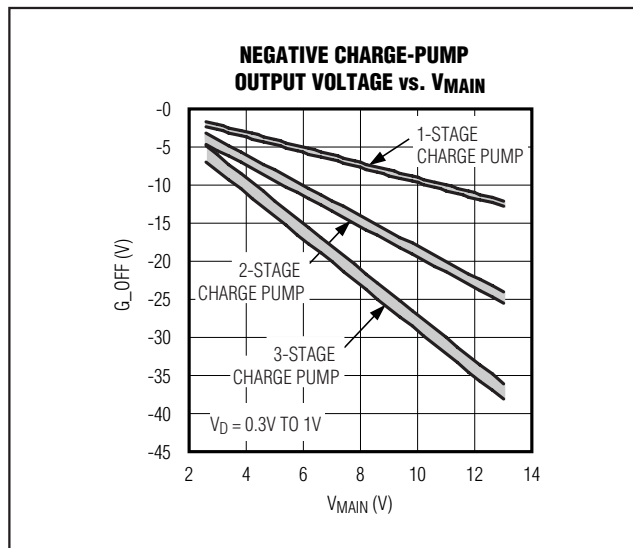


Figure 10. Negative Charge-Pump Output Voltage vs. V_{MAIN}

Adjust the gate-off linear-regulator REG N output voltage by connecting a resistive voltage-divider from V_{GOFF} to REF with the center tap connected to FBN (Figure 1). Select R8 in the range of 20k Ω to 50k Ω . Calculate R7 with the following equation:

$$R7 = R8 \times \frac{V_{FBN} - V_{GOFF}}{V_{REF} - V_{FBN}}$$

where $V_{FBN} = 250\text{mV}$, $V_{REF} = 1.25\text{V}$. Note that REF can only source up to 50 μA ; using a resistor less than 20k Ω for R8 results in higher bias current than REF can supply.

Pass-Transistor Selection

The pass transistor must meet specifications for current gain (h_{FE}), input capacitance, collector-emitter saturation voltage and power dissipation. The transistor's current gain limits the guaranteed maximum output current to:

$$I_{LOAD(MAX)} = \left(I_{DRV} - \frac{V_{BE}}{R_{BE}} \right) \times h_{FE(MIN)}$$

where I_{DRV} is the minimum guaranteed base-drive current, V_{BE} is the transistor's base-to-emitter forward voltage drop, and R_{BE} is the pullup resistor connected between the transistor's base and emitter. Furthermore, the transistor's current gain increases the linear regulator's DC loop gain (see the *Stability Requirements* section), so excessive gain destabilizes the output.

Therefore, transistors with current gain over 100 at the maximum output current can be difficult to stabilize and are not recommended unless the high gain is needed to meet the load-current requirements.

The transistor's saturation voltage at the maximum output current determines the minimum input-to-output voltage differential that the linear regulator can support. Also, the package's power dissipation limits the usable maximum input-to-output voltage differential. The maximum power-dissipation capability of the transistor's package and mounting must exceed the actual power dissipated in the device. The power dissipated equals the maximum load current ($I_{LOAD(MAX)}_{LR}$) multiplied by the maximum input-to-output voltage differential:

$$P = I_{LOAD(MAX)}_{LR} \times (V_{IN(MAX)}_{LR} - V_{OUT_LR})$$

where $V_{IN(MAX)}_{LR}$ is the maximum input voltage of the linear regulator, and V_{OUT_LR} is the output voltage of the linear regulator.

Stability Requirements

The MAX1516/MAX1517/MAX1518 linear-regulator controllers use an internal transconductance amplifier to drive an external pass transistor. The transconductance amplifier, the pass transistor, the base-emitter resistor, and the output capacitor determine the loop stability. The following applies to both linear-regulator controllers in the MAX1516/MAX1517/MAX1518.

TFT-LCD DC-DC Converters with Operational Amplifiers

The transconductance amplifier regulates the output voltage by controlling the pass transistor's base current. The total DC loop gain is approximately:

$$A_{V_LR} \cong \left(\frac{10}{V_T} \right) \times \left[1 + \left(\frac{I_{BIAS} \times h_{FE}}{I_{LOAD_LR}} \right) \right] \times V_{REF}$$

where V_T is 26mV at room temperature, and I_{BIAS} is the current through the base-to-emitter resistor (R_{BE}). For the MAX1516/MAX1517/MAX1518, the bias currents for both the gate-on and gate-off linear-regulator controllers are 0.1mA. Therefore, the base-to-emitter resistor for both linear regulators should be chosen to set 0.1mA bias current:

$$R_{BE} = \frac{V_{BE}}{0.1mA} = \frac{0.7V}{0.1mA} \approx 6.8k\Omega$$

The output capacitor and the load resistance create the dominant pole in the system. However, the internal amplifier delay, pass transistor's input capacitance, and the stray capacitance at the feedback node create additional poles in the system, and the output capacitor's ESR generates a zero. For proper operation, use the following equations to verify the linear regulator is properly compensated:

- 1) First, determine the dominant pole set by the linear regulator's output capacitor and the load resistor:

$$f_{POLE_LR} = \frac{I_{LOAD(MAX)_LR}}{2\pi \times C_{OUT_LR} \times V_{OUT_LR}}$$

The unity-gain crossover of the linear regulator is:

$$f_{CROSSOVER} = A_{V_LR} \times f_{POLE_LR}$$

- 2) The pole created by the internal amplifier delay is approximately 1MHz:

$$f_{POLE_AMP} = 1MHz$$

- 3) Next, calculate the pole set by the transistor's input capacitance, the transistor's input resistance, and the base-to-emitter pullup resistor:

$$f_{POLE_IN} = \frac{1}{2\pi \times C_{IN} \times (R_{BE} \parallel R_{IN})}$$

$$\text{where } C_{IN} = \frac{g_m}{2\pi f_T}, R_{IN} = \frac{h_{FE}}{g_m},$$

g_m is the transconductance of the pass transistor, and f_T is the transition frequency. Both parameters can be found in the transistor's data sheet. Because R_{BE} is much greater than R_{IN} , the above equation can be simplified:

$$f_{POLE_IN} = \frac{1}{2\pi \times C_{IN} \times R_{IN}}$$

Substituting for C_{IN} and R_{IN} yields:

$$f_{POLE_IN} = \frac{f_T}{h_{FE}}$$

- 4) Next, calculate the pole set by the linear regulator's feedback resistance and the capacitance between FB_- and $AGND$ (including stray capacitance):

$$f_{POLE_FB} = \frac{1}{2\pi \times C_{FB} \times (R_{UPPER} \parallel R_{LOWER})}$$

where C_{FB} is the capacitance between FB_- and $AGND$, R_{UPPER} is the upper resistor of the linear regulator's feedback divider, and R_{LOWER} is the lower resistor of the divider.

- 5) Next, calculate the zero caused by the output capacitor's ESR:

$$f_{POLE_ESR} = \frac{1}{2\pi \times C_{OUT_LR} \times R_{ESR}}$$

where R_{ESR} is the equivalent series resistance of C_{OUT_LR} .

To ensure stability, choose C_{OUT_LR} large enough so the crossover occurs well before the poles and zero calculated in steps 2 to 5. The poles in steps 3 and 4 generally occur at several megahertz, and using ceramic capacitors ensures the ESR zero occurs at several megahertz as well. Placing the crossover below 500kHz is sufficient to avoid the amplifier-delay pole and generally works well, unless unusual component choices or extra capacitances move one of the other poles or the zero below 1MHz.

TFT-LCD DC-DC Converters with Operational Amplifiers

Applications Information

Power Dissipation

An IC's maximum power dissipation depends on the thermal resistance from the die to the ambient environment and the ambient temperature. The thermal resistance depends on the IC package, PC board copper area, other thermal mass, and airflow.

The MAX1516/MAX1517/MAX1518, with their exposed backside pad soldered to 1in² of PC board copper, can dissipate about 1.7W into +70°C still air. More PC board copper, cooler ambient air, and more airflow increase the possible dissipation, while less copper or warmer air decreases the IC's dissipation capability. The major components of power dissipation are the power dissipated in the step-up regulator and the power dissipated by the operational amplifiers.

Step-Up Regulator

The largest portions of power dissipation in the step-up regulator are the internal MOSFET, the inductor, and the output diode. If the step-up regulator has 90% efficiency, about 3% to 5% of the power is lost in the internal MOSFET, about 3% to 4% in the inductor, and about 1% in the output diode. The remaining 1% to 3% is distributed among the input and output capacitors and the PC board traces. If the input power is about 5W, the power lost in the internal MOSFET is about 150mW to 250mW.

Operational Amplifier

The power dissipated in the operational amplifiers depends on their output current, the output voltage, and the supply voltage:

$$P_{D\text{SOURCE}} = I_{\text{OUT_}}(\text{SOURCE}) \times (V_{\text{SUP}} - V_{\text{OUT_}})$$

$$P_{D\text{SINK}} = I_{\text{OUT_}}(\text{SINK}) \times V_{\text{OUT_}}$$

where $I_{\text{OUT_}}(\text{SOURCE})$ is the output current sourced by the operational amplifier, and $I_{\text{OUT_}}(\text{SINK})$ is the output current that the operational amplifier sinks.

In a typical case where the supply voltage is 13V and the output voltage is 6V with an output source current of 30mA, the power dissipated is 180mW.

PC Board Layout and Grounding

Careful PC board layout is important for proper operation. Use the following guidelines for good PC board layout:

- Minimize the area of high-current loops by placing the inductor, the output diode, and the output capacitors near the input capacitors and near the LX and PGND pins. The high-current input loop goes from the positive terminal of the input capacitor

to the inductor, to the IC's LX pin, out of PGND, and to the input capacitor's negative terminal. The high-current output loop is from the positive terminal of the input capacitor to the inductor, to the output diode (D1), and to the positive terminal of the output capacitors, reconnecting between the output capacitor and input capacitor ground terminals. Connect these loop components with short, wide connections. Avoid using vias in the high-current paths. If vias are unavoidable, use many vias in parallel to reduce resistance and inductance.

- Create a power-ground island (PGND) consisting of the input and output capacitor grounds, PGND pin, and any charge-pump components. Connect all of these together with short, wide traces or a small ground plane. Maximizing the width of the power-ground traces improves efficiency and reduces output voltage ripple and noise spikes. Create an analog ground plane (AGND) consisting of the AGND pin, all the feedback-divider ground connections, the operational-amplifier divider ground connections, the COMP and DEL capacitor ground connections, and the device's exposed backside pad. Connect the AGND and PGND islands by connecting the PGND pin directly to the exposed backside pad. Make no other connections between these separate ground planes.
- Place all feedback voltage-divider resistors as close to their respective feedback pins as possible. The divider's center trace should be kept short. Placing the resistors far away causes their FB traces to become antennas that can pick up switching noise. Take care to avoid running any feedback trace near LX or the switching nodes in the charge pumps.
- Place the IN pin and REF pin bypass capacitors as close to the device as possible. The ground connection of the IN bypass capacitor should be connected directly to the AGND pin with a wide trace.
- Minimize the length and maximize the width of the traces between the output capacitors and the load for best transient responses.
- Minimize the size of the LX node while keeping it wide and short. Keep the LX node away from feedback nodes (FB, FBP, and FBN) and analog ground. Use DC traces to shield if necessary.

Refer to the MAX1518 evaluation kit for an example of proper PC board layout.

Chip Information

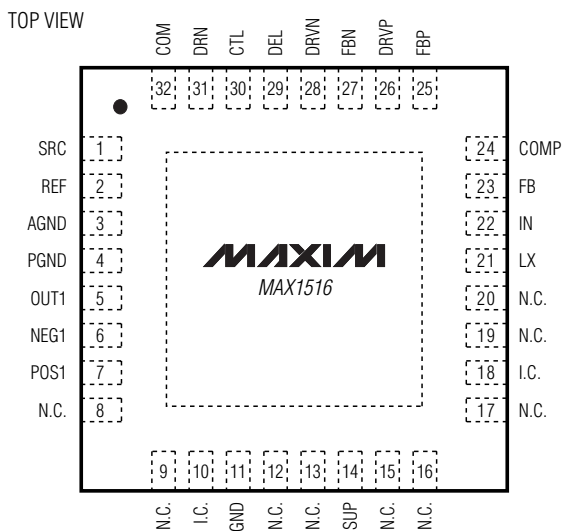
TRANSISTOR COUNT: 4608

PROCESS: BiCMOS

TFT-LCD DC-DC Converters with Operational Amplifiers

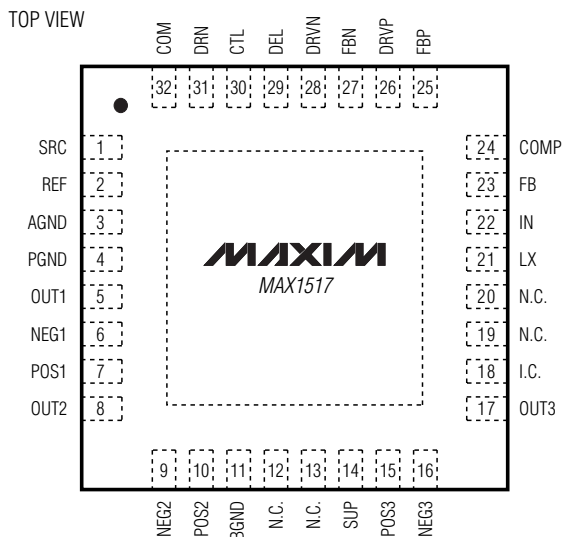
Pin Configurations

MAX1516/MAX1517/MAX1518



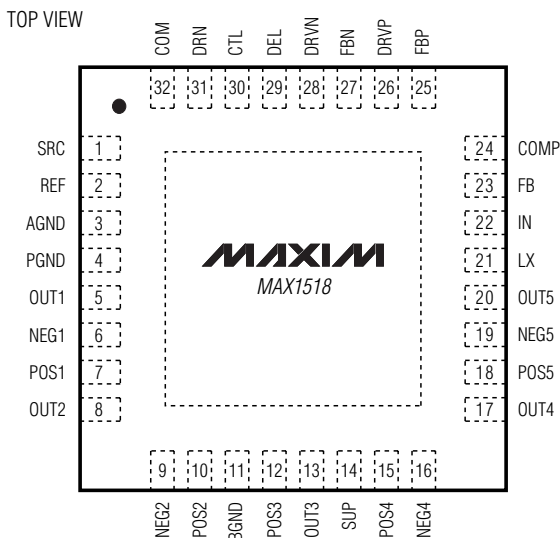
THIN QFN
5mm x 5mm

N.C. = NOT INTERNALLY CONNECTED
I.C. = INTERNALLY CONNECTED



THIN QFN
5mm x 5mm

N.C. = NOT INTERNALLY CONNECTED
I.C. = INTERNALLY CONNECTED



THIN QFN
5mm x 5mm