



Chipsmall Limited consists of a professional team with an average of over 10 year of expertise in the distribution of electronic components. Based in Hongkong, we have already established firm and mutual-benefit business relationships with customers from,Europe,America and south Asia,supplying obsolete and hard-to-find components to meet their specific needs.

With the principle of “Quality Parts,Customers Priority,Honest Operation,and Considerate Service”,our business mainly focus on the distribution of electronic components. Line cards we deal with include Microchip,ALPS,ROHM,Xilinx,Pulse,ON,Everlight and Freescale. Main products comprise IC,Modules,Potentiometer,IC Socket,Relay,Connector.Our parts cover such applications as commercial,industrial, and automotives areas.

We are looking forward to setting up business relationship with you and hope to provide you with the best service and solution. Let us make a better world for our industry!



Contact us

Tel: +86-755-8981 8866 Fax: +86-755-8427 6832

Email & Skype: info@chipsmall.com Web: www.chipsmall.com

Address: A1208, Overseas Decoration Building, #122 Zhenhua RD., Futian, Shenzhen, China





High-Efficiency Step-Up Converters for White LED Main and Subdisplay Backlighting

General Description

The MAX1582/MAX1582Y drive up to six white LEDs in series with a constant current to provide display backlighting for two (main and sub-) displays in cell phones and other handheld devices. This configuration eliminates the need for ballast resistors and expensive factory calibration. The proprietary dual-output, step-up pulse-width modulation (PWM) converter includes a low R_{DS(on)} n-channel MOSFET switch for high efficiency and maximum battery life.

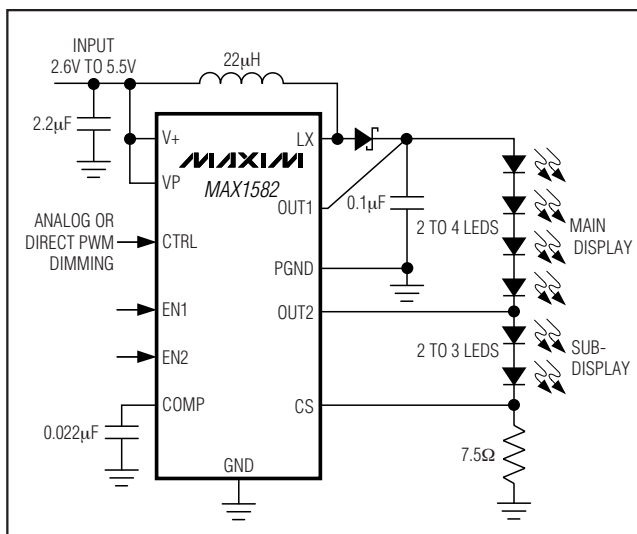
The MAX1582/MAX1582Y utilize 1MHz current-mode PWM control to allow small input and output capacitors and a small inductor, while minimizing ripple on the input supply and avoiding interference to sensitive circuitry in the equipment. Integrated overvoltage protection (27V for the MAX1582 and 18V for the MAX1582Y) eliminates the need for an external zener diode to protect the IC from open circuit. Flexible dimming control utilizes either an analog control signal or direct digital PWM control without external RC filtering. This also increases dimming accuracy at low brightness levels. The PWM dimming signal can be any frequency from 200Hz to 200kHz. Soft-start eliminates inrush current during startup.

The MAX1582/MAX1582Y are available in tiny 4 × 4 chip-scale (UCSP™) and 12-pin thin QFN packages.

Applications

- Cell Phones with One or Two Displays
- Smart Phones, Palmtops, and Wireless Handhelds
- Other Handheld Devices with Dual Displays

Typical Application Circuit



Features

- ◆ Accurate Current Regulation for Uniform Illumination
- ◆ Lights Up Two LED Sections for Main and Subdisplays
- ◆ Up to 84% Efficiency
- ◆ Internal High-Power, 30V MOSFET
- ◆ Low 15mV_{p-p} Input Ripple
- ◆ Flexible Dimming Control
 - Analog DAC Controlled
 - Direct-Digital PWM (No RC Required) from 200Hz to 200kHz
- ◆ Overvoltage Protection to Eliminate Zener Diode
- ◆ Constant 1MHz PWM Operation
- ◆ Low-Profile Inductor and Capacitors
- ◆ Soft-Start Eliminates Inrush Current
- ◆ 2.6V to 5.5V Input
- ◆ 0.01µA (typ) Shutdown Current
- ◆ Tiny UCSP (2.1mm × 2.1mm × 0.61mm) and Thin QFN (4mm × 4mm) Packages

Ordering Information

| PART | TEMP RANGE | PIN-PACKAGE | TOP MARK |
|--------------|----------------|-----------------|----------|
| MAX1582EBE-T | -40°C to +85°C | 16 UCSP-16 | 1582EBE |
| MAX1582EBE+T | -40°C to +85°C | 16 UCSP-16 | 1582EBE |
| MAX1582ETC | -40°C to +85°C | 12 Thin QFN-EP* | AACE |
| MAX1582ETC+ | -40°C to +85°C | 12 Thin QFN-EP* | AACE |

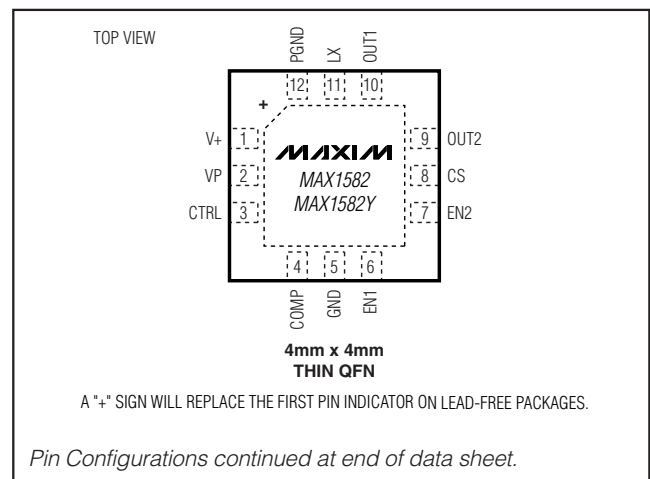
*EP = Exposed paddle.

+ Denotes lead-free package.

UCSP is a trademark of Maxim Integrated Products, Inc.

Ordering Information continued at end of data sheet.

Pin Configurations



High-Efficiency Step-Up Converters for White LED Main and Subdisplay Backlighting

ABSOLUTE MAXIMUM RATINGS

| | |
|---------------------------|-----------------------------------|
| V+, VP, CTRL to GND | -0.3V to +6.0V |
| PGND to GND | -0.3V to +0.3V |
| LX, OUT1 to GND | -0.3V to +30V |
| OUT2 to GND | -0.3V to +14V |
| COMP, CS, EN1, EN2 to GND | -0.3V to (V _{V+} + 0.3V) |
| ILX | 1A _{RMS} |

| | |
|---|-----------------|
| Continuous Power Dissipation (T _A = +70°C) | |
| 12-Pin Thin QFN (derate 16.9mW/°C above +70°C) | 1349mW |
| 16-Pin UCSP (derate 6.5mW/°C above +70°C) | 518mW |
| Operating Temperature Range | -40°C to +85°C |
| Junction Temperature | +150°C |
| Storage Temperature Range | -65°C to +150°C |
| Lead Temperature (soldering, 10s) | +300°C |

Stresses beyond those listed under "Absolute Maximum Ratings" may cause permanent damage to the device. These are stress ratings only, and functional operation of the device at these or any other conditions beyond those indicated in the operational sections of the specifications is not implied. Exposure to absolute maximum rating conditions for extended periods may affect device reliability.

ELECTRICAL CHARACTERISTICS

(V_{V+} = +3.0V, V_{OUT1} = 20V, L1 = 22μH, C_{OUT} = 0.1μF, C_{COMP} = 0.022μF, R_{SENSE} = 7.5Ω, V_{CTRL} = +1.5V, EN1 = EN2 = V+, T_A = 0°C to +85°C, unless otherwise noted. Typical values are at T_A = +25°C.) (Note 1)

| PARAMETER | CONDITIONS | MIN | TYP | MAX | UNITS | |
|---|---|---|-------|-------|-------|---|
| Supply Voltage | | 2.6 | | 5.5 | V | |
| Undervoltage Lockout (UVLO) Threshold | V _{V+} rising or falling | 2.10 | 2.38 | 2.55 | V | |
| UVLO Hysteresis | | | 40 | | mV | |
| Quiescent Current | No switching, V _{CTRL} = V _{CS} = +0.25V | | 0.40 | 0.56 | mA | |
| Shutdown Supply Current | EN1 = EN2 = GND, OUT1 = V+ | T _A = +25°C | 0.01 | 1 | μA | |
| | | T _A = +85°C | 0.1 | | | |
| Overvoltage Lockout (OVLO) Threshold (Rising) | MAX1582 | 26 | 27 | 29 | V | |
| | MAX1582Y | 17 | 18 | 19 | | |
| OVLO Hysteresis | MAX1582 | | 2 | | V | |
| | MAX1582Y | | 1.3 | | | |
| OUT1 Input Bias Current | MAX1582, V _{OUT1} = +26V, EN1 = EN2 = V+ | 20 | 40 | 65 | μA | |
| | MAX1582Y, V _{OUT1} = +16V, EN1 = EN2 = V+ | 20 | 40 | 65 | | |
| | OUT1 = V+, EN1 = EN2 = GND | T _A = +25°C | | 0.01 | | 1 |
| | | T _A = +85°C | | 0.05 | | |
| Output Voltage Range (Note 2) | MAX1582 | (V _{V+} - V _{DIODE}) | | 25.5 | V | |
| | MAX1582Y | (V _{V+} - V _{DIODE}) | | 17.0 | | |
| ERROR AMPLIFIER | | | | | | |
| CTRL to CS Regulation | V _{CTRL} = +1.0V, V _{V+} = +2.6V to +5.5V | 0.095 | 0.100 | 0.106 | V | |
| CS Input Bias Current | V _{CS} = V _{CTRL} / 10 | T _A = +25°C | 0.01 | 1 | μA | |
| | | T _A = +85°C | 1 | | | |
| CTRL Input Resistance | 0 < V _{CTRL} < +1V | 290 | 500 | 780 | kΩ | |
| CS to COMP Transconductance | V _{COMP} = +1.0V | 32 | 50 | 82 | μS | |
| OSCILLATOR | | | | | | |
| Operating Frequency | | 0.80 | 1.0 | 1.25 | MHz | |
| Minimum Duty Cycle | PWM mode | | 12 | | % | |
| | Pulse skipping | | 0 | | | |
| Maximum Duty Cycle | CTRL = V+, CS = GND | 91 | 94 | | % | |

High-Efficiency Step-Up Converters for White LED Main and Subdisplay Backlighting

MAX1582/MAX1582Y

ELECTRICAL CHARACTERISTICS (continued)

($V_{V+} = +3.0V$, $V_{OUT1} = 20V$, $L1 = 22\mu H$, $C_{OUT} = 0.1\mu F$, $C_{COMP} = 0.022\mu F$, $R_{SENSE} = 7.5\Omega$, $V_{CTRL} = +1.5V$, $EN1 = EN2 = V+$, $T_A = 0^\circ C$ to $+85^\circ C$, unless otherwise noted. Typical values are at $T_A = +25^\circ C$.) (Note 1)

| PARAMETER | CONDITIONS | MIN | TYP | MAX | UNITS |
|--|--|---------------------|------|------|----------|
| N-CHANNEL SWITCH | | | | | |
| LX On-Resistance | | | 1.50 | 2.25 | Ω |
| LX Leakage Current | $V_{LX} = +28V$ | $T_A = +25^\circ C$ | 0.01 | 5 | μA |
| | | $T_A = +85^\circ C$ | 0.02 | | |
| LX Current Limit | Duty cycle = 90% | 450 | 650 | 950 | mA |
| MAIN AND SUBDISPLAY ON/OFF SWITCHES | | | | | |
| OUT1 to OUT2 On-Resistance | $EN1 = GND$, $EN2 = V+$ | | 2.5 | | Ω |
| OUT2 to CS On-Resistance | $EN1 = V+$, $EN2 = GND$ | | 2.5 | | Ω |
| OUT1 to OUT2 Leakage Current | $EN1 = EN2 = V+$, $V_{OUT1} = 25V$, $V_{OUT2} = +9V$, $T_A = +85^\circ C$ | | 0.05 | | μA |
| OUT2 to CS Leakage Current | $EN1 = EN2 = V+$, $V_{OUT2} = 12V$, $V_{CS} = 0$, $T_A = +85^\circ C$ | | 0.05 | | μA |
| EN1 and EN2 Logic Input Voltage High | $+2.6V < V_{V+} < +5.5V$ | 1.6 | | | V |
| EN1 and EN2 Logic Input Voltage Low | $+2.6V < V_{V+} < +5.5V$ | | | 0.6 | V |
| EN1 and EN2 Input Leakage | $V_{V+} = V_{EN1} = V_{EN2} = +5.5V$ | $T_A = +25^\circ C$ | 0.02 | 1 | μA |
| | | $T_A = +85^\circ C$ | 0.1 | | |

ELECTRICAL CHARACTERISTICS

($V_{V+} = +3.0V$, $V_{OUT1} = +20V$, $L1 = 22\mu H$, $C_{OUT} = 0.1\mu F$, $C_{COMP} = 0.022\mu F$, $R_{SENSE} = 7.5\Omega$, $V_{CTRL} = +1.5V$, $EN1 = EN2 = V+$, $T_A = -40^\circ C$ to $+85^\circ C$, unless otherwise noted.) (Notes 1, 3)

| PARAMETER | CONDITIONS | MIN | MAX | UNITS |
|---|--|-------|-------|------------|
| Supply Voltage | | 2.6 | 5.5 | V |
| Undervoltage Lockout (UVLO) Threshold | $V+$ rising or falling | 2.10 | 2.55 | V |
| Quiescent Current | No switching, $V_C = +0.25V$ | | 0.56 | mA |
| Overvoltage Lockout (OVLO) Threshold (Rising) | MAX1582 | 26 | 29 | V |
| | MAX1582Y | 17 | 19 | |
| OUT1 Input Bias Current | $V_{OUT1} = +26V$, $EN1 = EN2 = V+$ | 20 | 65 | μA |
| ERROR AMPLIFIER | | | | |
| CTRL to CS Regulation | $V_{CTRL} = +1.0V$, $V_{V+} = +2.6V$ to $+5.5V$ | 0.093 | 0.107 | V |
| CTRL Input Resistance | $0 < V_{CTRL} < +1.0V$ | 290 | 780 | k Ω |
| CS to COMP Transconductance | $V_{COMP} = 1.0V$ | 32 | 85 | μS |
| OSCILLATOR | | | | |
| Operating Frequency | | 0.75 | 1.30 | MHz |

High-Efficiency Step-Up Converters for White LED Main and Subdisplay Backlighting

ELECTRICAL CHARACTERISTICS (continued)

($V_{V+} = +3.0V$, $V_{OUT1} = +20V$, $L1 = 22\mu H$, $C_{OUT} = 0.1\mu F$, $C_{COMP} = 0.022\mu F$, $R_{SENSE} = 7.5\Omega$, $V_{CTRL} = +1.5V$, $EN1 = EN2 = V+$, $T_A = -40^{\circ}C$ to $+85^{\circ}C$, unless otherwise noted.) (Notes 1, 3)

| PARAMETER | CONDITIONS | MIN | MAX | UNITS |
|-------------------------|---------------------|-----|------|----------|
| Maximum Duty Cycle | CTRL = V+, CS = GND | 91 | | % |
| N-CHANNEL SWITCH | | | | |
| LX On-Resistance | | | 2.25 | Ω |
| LX Current Limit | Duty cycle = 90% | 450 | 950 | mA |

Note 1: Limits are 100% production tested at $T_A = +25^{\circ}C$ for UCSP parts. Limits over the entire operating temperature range are guaranteed by design and characterization but are not production tested.

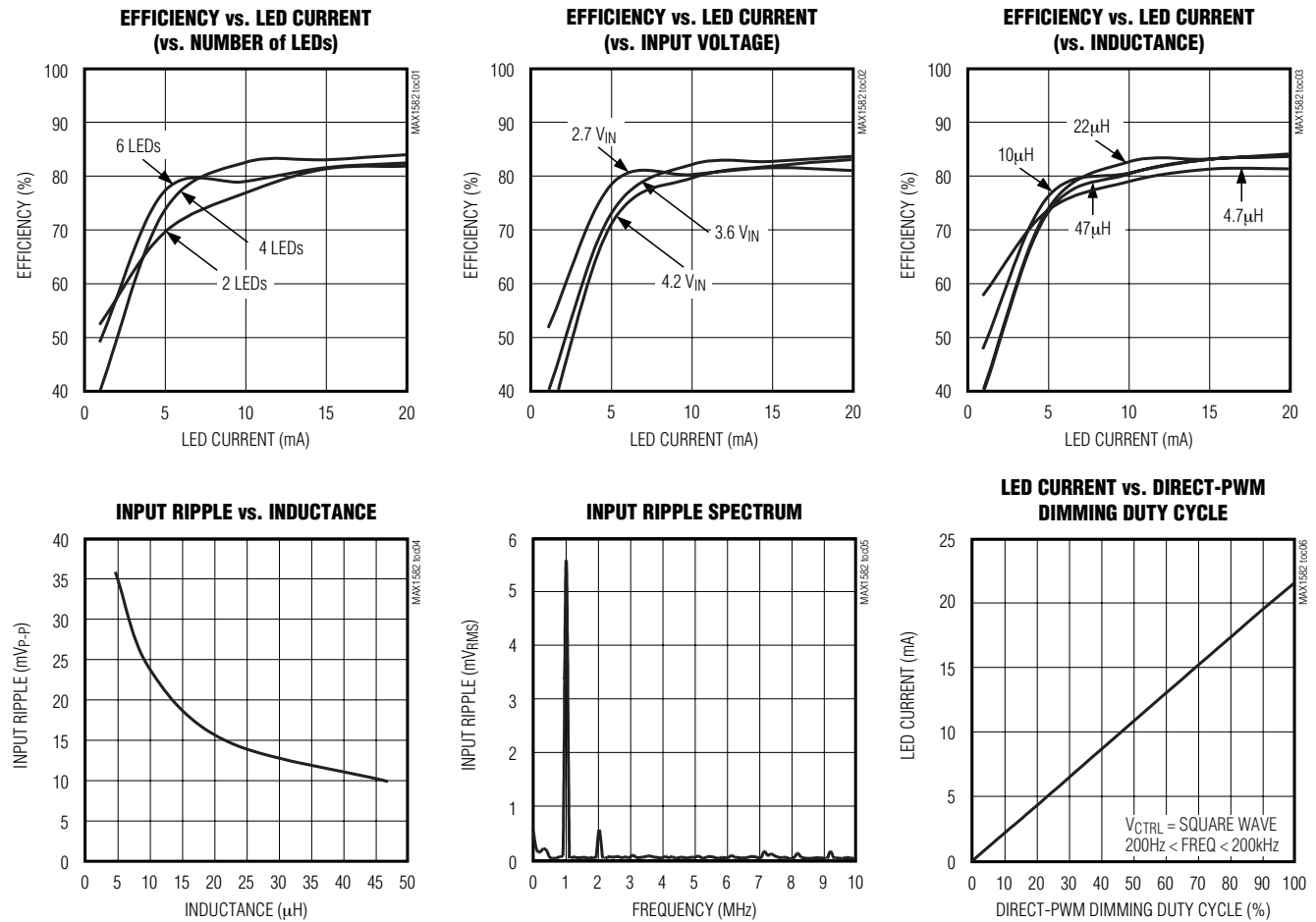
Note 2: The minimum output voltage is the input voltage minus the forward voltage drop of the Schottky diode:

$$V_{OUT(MIN)} = V_{V+} - V_{DIODE}$$

Note 3: Specifications to $-40^{\circ}C$ are guaranteed by design and not production tested.

Typical Operating Characteristics

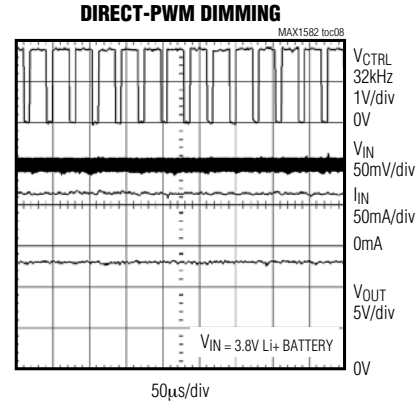
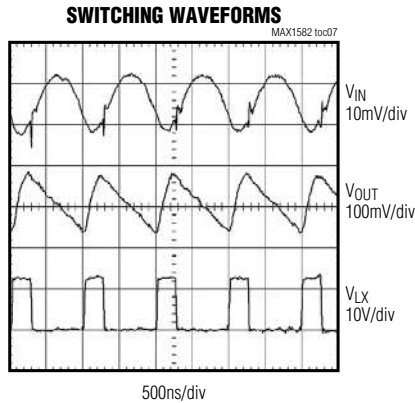
(See the *Typical Applications Circuit*, $V_{V+} = V_{VP} = 3.6V$, $I_{LED} = 15mA$, $L1 = 22\mu H$, $C_{OUT1} = 0.1\mu F$, $C_{COMP} = 0.022\mu F$, $R_{SENSE} = 7.5\Omega$, $V_{CTRL} = 1.5V$, 4 LEDs, $T_A = +25^{\circ}C$, unless otherwise noted.)



High-Efficiency Step-Up Converters for White LED Main and Subdisplay Backlighting

Typical Operating Characteristics (continued)

(See the *Typical Applications Circuit*, $V_{V+} = V_{VP} = 3.6V$, $I_{LED} = 15mA$, $L1 = 22\mu H$, $C_{OUT1} = 0.1\mu F$, $C_{COMP} = 0.022\mu F$, $R_{SENSE} = 7.5\Omega$, $V_{CTRL} = 1.5V$, 4 LEDs, $T_A = +25^\circ C$, unless otherwise noted.)



MAX1582/MAX1582Y

Pin Description

| PIN | | NAME | FUNCTION |
|-----|------|------|--|
| QFN | UCSP | | |
| 1 | A1 | V+ | Input Voltage Supply. Input voltage range is 2.6V to 5.5V. Connect a 2.2µF capacitor from V+ to PGND. |
| 2 | A2 | VP | High-Current Input Supply. Connect to V+. |
| 3 | A3 | CTRL | Brightness Control Input. LED brightness is controlled by the voltage applied to CTRL. Varying the voltage from 0 to +1.62V adjusts the brightness from dim to bright, respectively. Any voltage above +1.62V does not increase brightness. |
| 4 | A4 | COMP | Compensation Input. Connect a 0.022µF capacitor (C_{COMP}) from COMP to GND. C_{COMP} stabilizes the converter and controls soft-start. C_{COMP} discharges to GND when in shutdown. |
| 5 | B4 | GND | Ground. Connect to PGND at a single point near the IC. |
| 6 | C4 | EN1 | Enable 1 Input. Drive EN1 high to enable the main-display LEDs. Pull EN1 low to turn off the main-display LEDs. Pull both EN1 and EN2 low to place the IC in low-current shutdown mode. |
| 7 | D4 | EN2 | Enable 2. Drive EN2 high to enable the subdisplay LEDs. Pull EN2 low to turn off the subdisplay LEDs. Pull both EN1 and EN2 low to place the IC in low-current shutdown mode. |
| 8 | D3 | CS | Current-Sense Feedback Input. Connect a resistor (R_{SENSE}) from CS to GND to set the LED bias current. The voltage at CS regulates to $V_{CTRL} / 10$ or +0.162V, whichever is lower. |
| 9 | D2 | OUT2 | Display Switch Output. OUT2 is internally connected to CS when only the main display is lit. OUT2 is internally connected to OUT1 when only the subdisplay is lit. OUT2 is high impedance when both displays are lit and when the IC is shut down. |
| 10 | D1 | OUT1 | Overvoltage Sense. When V_{OUT1} is greater than 27V (18V on the MAX1582Y), the internal n-channel MOSFET turns off until V_{OUT1} drops below 25V (16.7V on the MAX1582Y), then the IC re-enters soft-start. Connect a 0.1µF capacitor from OUT1 to PGND. |
| 11 | C1 | LX | Inductor Connection. During shutdown, this pin is high impedance. |
| 12 | B1 | PGND | Power Ground. Connect to GND at a single point near the IC. |
| EP | — | EP | Exposed Paddle. Connect directly to GND and PGND under the IC. |

High-Efficiency Step-Up Converters for White LED Main and Subdisplay Backlighting

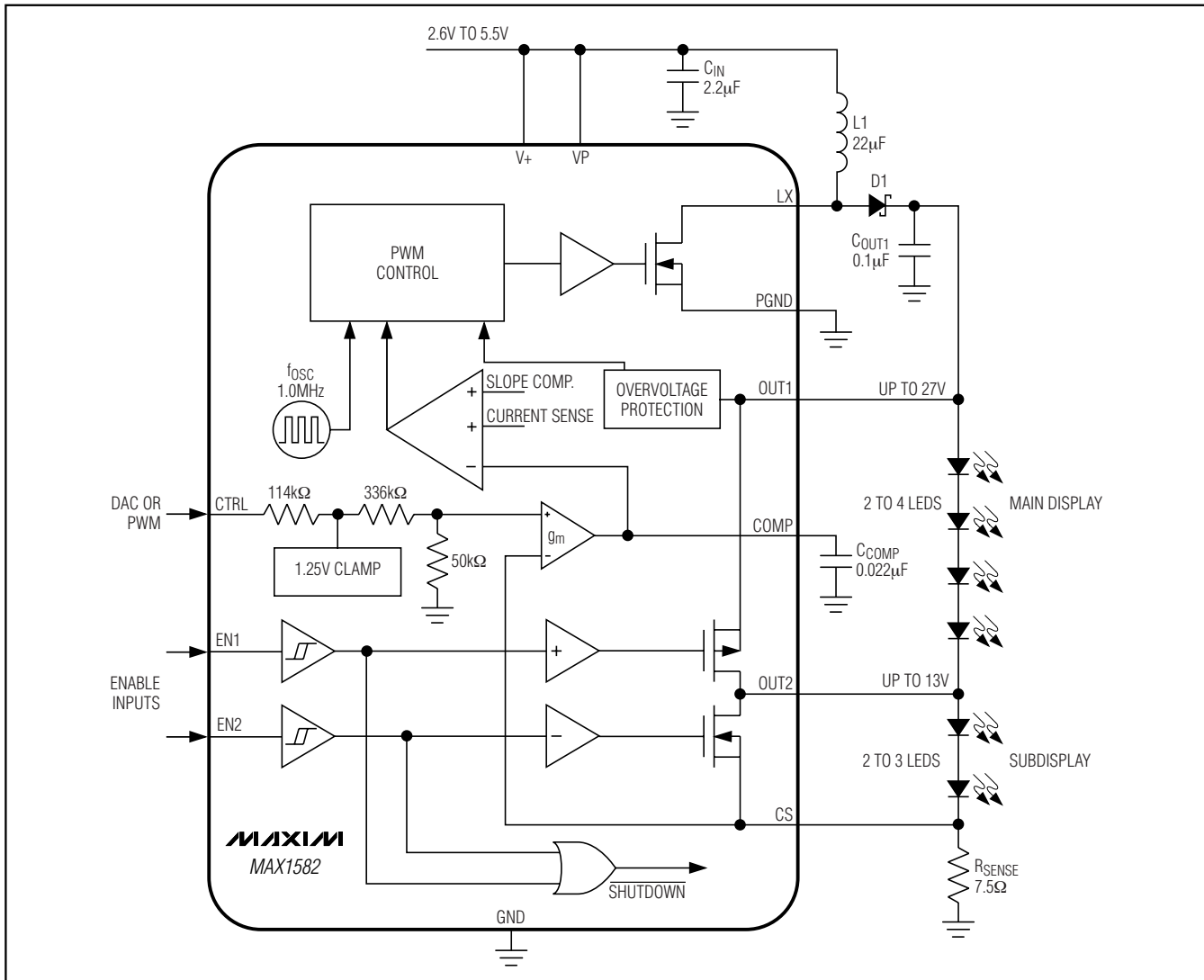


Figure 1. Functional Diagram

Detailed Description

The MAX1582's high efficiency and small size make it ideally suited to drive up to six series-connected LEDs (four LEDs for the MAX1582Y). Separate enable inputs are provided to control the main and subdisplay backlighting. The MAX1582/MAX1582Y operate as a boost DC-to-DC converter that regulates output current rather than voltage. It provides even illumination by sourcing the same output current through each LED, eliminating the need for expensive factory calibration. The fast 1MHz internal oscillator allows for a small inductor and small input and output capacitors while minimizing input and output ripple.

Shutdown for Main and Subdisplay

The MAX1582/MAX1582Y have two enable inputs (EN1 and EN2) used to enable or shutdown the main and subdisplay LEDs. When EN1 and EN2 are both high, all LEDs are lit. With EN1 high and EN2 low, the main-display LEDs are lit, and the subdisplay LEDs are shorted by the MAX1582/MAX1582Y. With EN1 low and EN2 high, the main-display LEDs are shorted and the subdisplay LEDs are lit.

When both EN1 and EN2 are low, the MAX1582/MAX1582Y enter shutdown, reducing supply current to 0.01µA (typ). Although the internal n-channel MOSFET does not switch in shutdown, there is still a DC-current

High-Efficiency Step-Up Converters for White LED Main and Subdisplay Backlighting

path between the input and the LEDs through the inductor and Schottky diode. To ensure the LEDs remain off when the MAX1582/MAX1582Y are in shut-down, the minimum input forward voltage of the LED array must exceed the maximum input voltage. Typically, the leakage current through the LEDs in shut-down is less than 1µA.

Soft-Start

The MAX1582/MAX1582Y attain soft-start by charging C_{COMP} gradually with a current source. When V_{COMP} rises above 1.25V, the internal MOSFET begins switching, but at a reduced duty cycle. When V_{COMP} rises above 2.25V, the duty cycle is at its maximum.

Overvoltage Protection

OVLO occurs when V_{OUT1} rises above 27V (18V for the MAX1582Y). The protection circuitry stops the internal MOSFET from switching and causes V_{COMP} to decay to GND. The device comes out of OVLO and into soft-start when V_{OUT1} falls below 25V (16.7V for the MAX1582Y).

Design Procedure

Adjusting LED Current

Adjusting the MAX1582/MAX1582Ys' output current changes the brightness of the LEDs. The LED current is set by the voltage at CTRL (V_{CTRL}) and the sense-resistor value (R_{SENSE}):

$$I_{LED} = \frac{V_{CTRL}}{10 \times R_{SENSE}}$$

The V_{CTRL} voltage range for adjusting output current is 0 to +1.62V. To set the maximum current, calculate R_{SENSE} when V_{CTRL} is at its maximum as follows:

$$R_{SENSE} = \frac{1.62}{10 \times I_{LED(MAX)}}$$

Power dissipation in R_{SENSE} is typically less than 5mW; therefore, a standard chip resistor is sufficient.

PWM Dimming Control

CTRL is also used as a digital input, allowing LED brightness control with a logic-level PWM signal applied directly to CTRL. The frequency range is from 200Hz to 200kHz, while 0% duty cycle corresponds to zero current and 100% duty cycle corresponds to full current. The error amplifier and compensation capacitor form a lowpass filter, so PWM dimming results in DC current to the LEDs without any additional RC filters required.

Capacitor Selection

The exact values of input and output capacitors are not critical. The typical value for the input capacitor is 2.2µF, and the typical value for the output capacitor is 0.1µF. Larger value capacitors can be used to reduce input and output ripple, but at the expense of size and higher cost.

C_{COMP} stabilizes the converter and controls soft-start. Connect a 0.022µF capacitor from COMP to GND. The minimum value for C_{COMP} is C_{OUT} / 10. The soft-start time is found from:

$$t_{SS} = C_{COMP} \times \left(\frac{1.25V}{5\mu A} \right)$$

Inductor Selection

Recommended inductor values range from 10µH to 47µH. A 22µH inductor optimizes the efficiency for most applications, while maintaining a low 15mV_{P-P} input ripple. With input voltages near 5V, a larger value of inductance may be more efficient. To prevent core saturation, ensure that the inductor saturation current rating exceeds the peak inductor current for the application. Calculate the peak inductor current with the following formula:

$$I_{PEAK} \approx \frac{V_{OUT1(MAX)} \times I_{LED(MAX)}}{0.8 \times V_{IN(MIN)}} + \frac{V_{IN(MIN)} \times 0.8\mu s}{2 \times L}$$

Schottky Diode Selection

The MAX1582/MAX1582Ys' high switching frequency demands a high-speed rectification diode (D1) for optimum efficiency. A Schottky diode is recommended due to its fast recovery time and low forward-voltage drop. Ensure that the diode's average and peak current rating exceeds the average output current and peak inductor current. In addition, the diode's reverse breakdown voltage must exceed V_{OUT1}. The RMS diode current can be calculated from:

$$I_{DIODE(RMS)} \approx \sqrt{I_{OUT1} \times I_{PEAK}}$$

Applications Information

PC Board Layout

Due to fast-switching waveforms and high-current paths, careful PC board layout is required. An evaluation kit (MAX1582EVKIT) is available to speed design.

High-Efficiency Step-Up Converters for White LED Main and Subdisplay Backlighting

When laying out a board, minimize trace lengths between the IC and R_{SENSE}, the inductor, the diode, the input capacitor, and the output capacitor. Keep traces short, direct, and wide. Keep noisy traces, such as the LX node trace, away from CS. The input bypass capacitor (C_{IN}) should be placed as close to the IC as possible. For the thin QFN package, PGND and GND should be connected directly to the exposed paddle underneath the IC. The ground connections of C_{IN} and C_{OUT1} should be as close together as possible. The traces from IN to the inductor and from the Schottky diode to the LEDs can be longer.

Chip Information

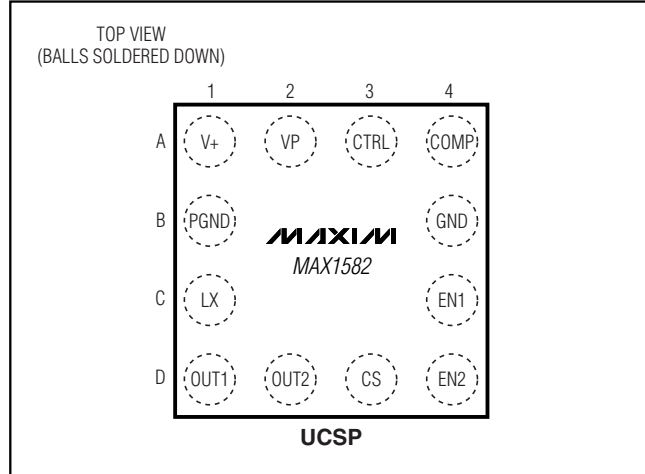
TRANSISTOR COUNT: 2546
PROCESS: BiCMOS

Ordering Information

| PART | TEMP RANGE | PIN-PACKAGE | TOP MARK |
|---------------|----------------|-----------------|----------|
| MAX1582YEBE-T | -40°C to +85°C | 16 UCSP-16 | 1582YEBE |
| MAX1582YEBE+T | -40°C to +85°C | 16 UCSP-16 | 1582YEBE |
| MAX1582YETC | -40°C to +85°C | 12 Thin QFN-EP* | AAEV |
| MAX1582YETC+ | -40°C to +85°C | 12 Thin QFN-EP* | AAEV |

*EP = Exposed paddle.
+Denotes lead-free package.
UCSP is a trademark of Maxim Integrated Products, Inc.

Pin Configurations (continued)

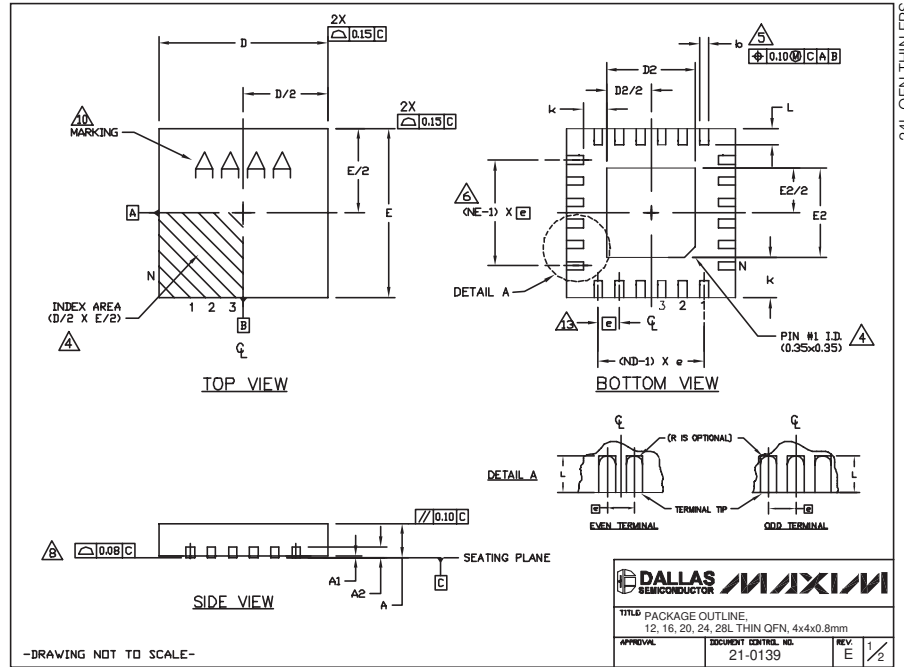


High-Efficiency Step-Up Converters for White LED Main and Subdisplay Backlighting

Package Information

(The package drawing(s) in this data sheet may not reflect the most current specifications. For the latest package outline information, go to www.maxim-ic.com/packages.)

MAX1582/MAX1582Y



| COMMON DIMENSIONS | | | | | | | | | | | | | | | |
|-------------------|-----------|------|------|-----------|------|------|-----------|------|------|-----------|------|------|-----------|------|------|
| PKG REF. | 12L 4x4 | | | 16L 4x4 | | | 20L 4x4 | | | 24L 4x4 | | | 28L 4x4 | | |
| | MIN. | NOM. | MAX. | MIN. | NOM. | MAX. | MIN. | NOM. | MAX. | MIN. | NOM. | MAX. | MIN. | NOM. | MAX. |
| A | 0.70 | 0.75 | 0.80 | 0.70 | 0.75 | 0.80 | 0.70 | 0.75 | 0.80 | 0.70 | 0.75 | 0.80 | 0.70 | 0.75 | 0.80 |
| A1 | 0.0 | 0.02 | 0.05 | 0.0 | 0.02 | 0.05 | 0.0 | 0.02 | 0.05 | 0.0 | 0.02 | 0.05 | 0.0 | 0.02 | 0.05 |
| A2 | 0.20 REF. | | | 0.20 REF. | | | 0.20 REF. | | | 0.20 REF. | | | 0.20 REF. | | |
| b | 0.25 | 0.30 | 0.35 | 0.25 | 0.30 | 0.35 | 0.20 | 0.25 | 0.30 | 0.18 | 0.23 | 0.30 | 0.15 | 0.20 | 0.25 |
| D | 3.90 | 4.00 | 4.10 | 3.90 | 4.00 | 4.10 | 3.90 | 4.00 | 4.10 | 3.90 | 4.00 | 4.10 | 3.90 | 4.00 | 4.10 |
| E | 3.90 | 4.00 | 4.10 | 3.90 | 4.00 | 4.10 | 3.90 | 4.00 | 4.10 | 3.90 | 4.00 | 4.10 | 3.90 | 4.00 | 4.10 |
| e | 0.80 BSC. | | | 0.65 BSC. | | | 0.50 BSC. | | | 0.50 BSC. | | | 0.40 BSC. | | |
| k | 0.25 | - | - | 0.25 | - | - | 0.25 | - | - | 0.25 | - | - | 0.25 | - | - |
| L | 0.45 | 0.55 | 0.65 | 0.45 | 0.55 | 0.65 | 0.45 | 0.55 | 0.65 | 0.30 | 0.40 | 0.50 | 0.30 | 0.40 | 0.50 |
| N | 12 | | | 16 | | | 20 | | | 24 | | | 28 | | |
| ND | 3 | | | 4 | | | 5 | | | 6 | | | 7 | | |
| NE | | | | 4 | | | 5 | | | 6 | | | 7 | | |
| POSE W. | VGG3 | | | VGG3 | | | WGGD-1 | | | WGGD-2 | | | VGG2 | | |

| PKG. CODES | D2 | | | E2 | | | DOWN BONDS ALLOWED |
|------------|------|------|------|------|------|------|--------------------|
| | MIN. | NOM. | MAX. | MIN. | NOM. | MAX. | |
| T1244-3 | 1.95 | 2.10 | 2.25 | 1.95 | 2.10 | 2.25 | YES |
| T1244-4 | 1.95 | 2.10 | 2.25 | 1.95 | 2.10 | 2.25 | NO |
| T1644-3 | 1.95 | 2.10 | 2.25 | 1.95 | 2.10 | 2.25 | YES |
| T1644-4 | 1.95 | 2.10 | 2.25 | 1.95 | 2.10 | 2.25 | NO |
| T2044-2 | 1.95 | 2.10 | 2.25 | 1.95 | 2.10 | 2.25 | YES |
| T2044-3 | 1.95 | 2.10 | 2.25 | 1.95 | 2.10 | 2.25 | NO |
| T2444-2 | 1.95 | 2.10 | 2.25 | 1.95 | 2.10 | 2.25 | YES |
| T2444-3 | 2.45 | 2.60 | 2.63 | 2.45 | 2.60 | 2.63 | YES |
| T2444-4 | 2.45 | 2.60 | 2.63 | 2.45 | 2.60 | 2.63 | NO |
| T2844-1 | 2.30 | 2.60 | 2.70 | 2.30 | 2.60 | 2.70 | NO |

- NOTES:
1. DIMENSIONING & TOLERANCING CONFORM TO ASME Y14.5M-1994.
 2. ALL DIMENSIONS ARE IN MILLIMETERS. ANGLES ARE IN DEGREES.
 3. N IS THE TOTAL NUMBER OF TERMINALS.
 4. THE TERMINAL #1 IDENTIFIER AND TERMINAL NUMBERING CONVENTION SHALL CONFORM TO JEDEC 95-1 SPP-012. DETAILS OF TERMINAL #1 IDENTIFIER ARE OPTIONAL, BUT MUST BE LOCATED WITHIN THE ZONE INDICATED. THE TERMINAL #1 IDENTIFIER MAY BE EITHER A MOLD OR MARKED FEATURE.
 5. DIMENSION b APPLIES TO METALLIZED TERMINAL AND IS MEASURED BETWEEN 0.25 mm AND 0.30 mm FROM TERMINAL TIP.
 6. ND AND NE REFER TO THE NUMBER OF TERMINALS ON EACH D AND E SIDE RESPECTIVELY.
 7. DEPOPULATION IS POSSIBLE IN A SYMMETRICAL FASHION.
 8. COPLANARITY APPLIES TO THE EXPOSED HEAT SINK SLUG AS WELL AS THE TERMINALS.
 9. DRAWING CONFORMS TO JEDEC MO220, EXCEPT FOR T2444-3, T2444-4 AND T2844-1.
 10. MARKING IS FOR PACKAGE ORIENTATION REFERENCE ONLY.
 11. COPLANARITY SHALL NOT EXCEED 0.08mm
 12. WARPAGE SHALL NOT EXCEED 0.10mm
 13. LEAD CENTERLINES TO BE AT TRUE POSITION AS DEFINED BY BASIC DIMENSION "c", ±0.05.
 14. NUMBER OF LEADS SHOWN ARE FOR REFERENCE ONLY.

-DRAWING NOT TO SCALE-

DALLAS SEMICONDUCTOR MAXIM

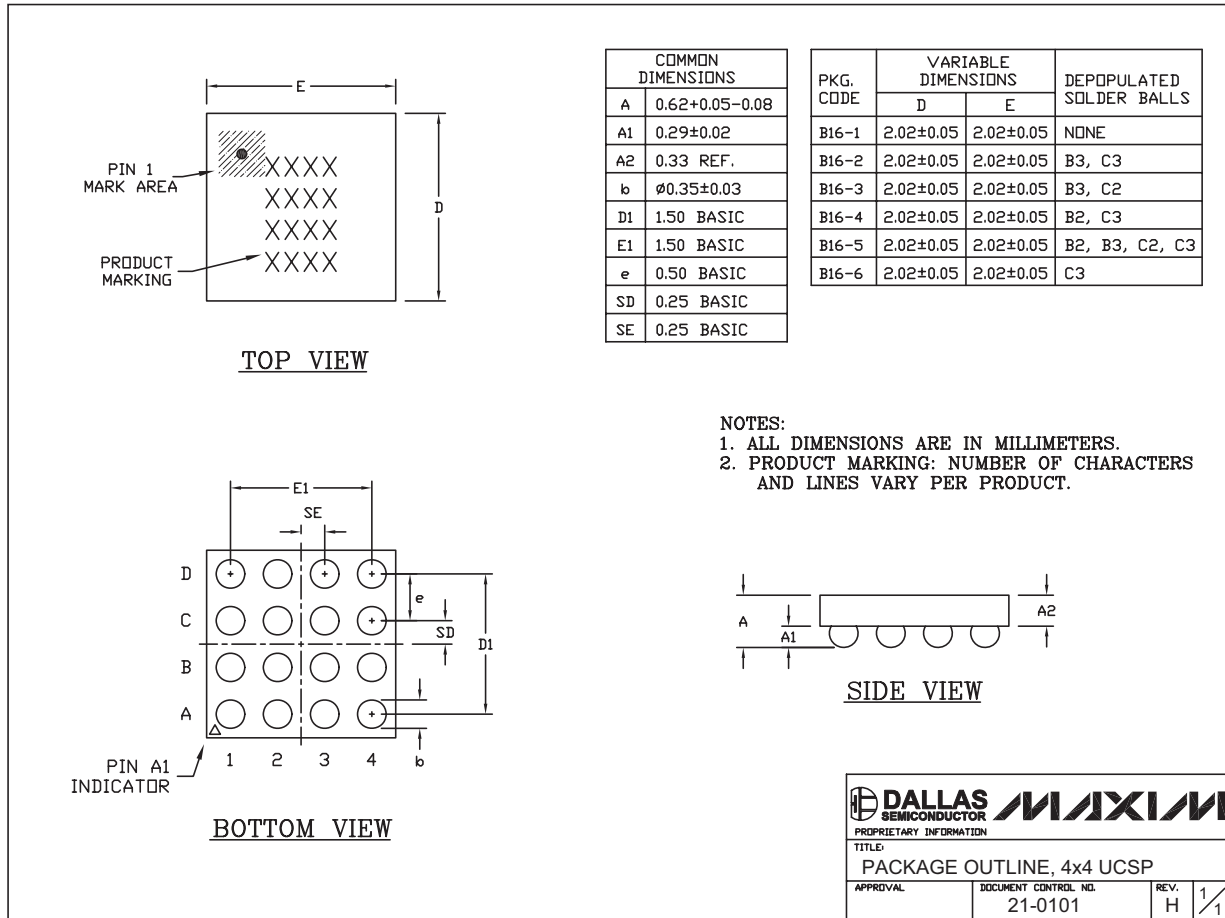
TITLE PACKAGE OUTLINE
12, 16, 20, 24, 28L THIN QFN, 4x4x0.8mm

APPROVAL _____ DOCUMENT CONTROL NO. 21-0139 REV. E 2/2

High-Efficiency Step-Up Converters for White LED Main and Subdisplay Backlighting

Package Information (continued)

(The package drawing(s) in this data sheet may not reflect the most current specifications. For the latest package outline information, go to www.maxim-ic.com/packages.)



16L UCSP:EPS

DALLAS SEMICONDUCTOR **MAXIM**
 PROPRIETARY INFORMATION
 TITLE: PACKAGE OUTLINE, 4x4 UCSP
 APPROVAL: _____ DOCUMENT CONTROL NO. 21-0101 REV. H 1/1

Maxim cannot assume responsibility for use of any circuitry other than circuitry entirely embodied in a Maxim product. No circuit patent licenses are implied. Maxim reserves the right to change the circuitry and specifications without notice at any time.

10 _____ **Maxim Integrated Products, 120 San Gabriel Drive, Sunnyvale, CA 94086 408-737-7600**