



Chipsmall Limited consists of a professional team with an average of over 10 year of expertise in the distribution of electronic components. Based in Hongkong, we have already established firm and mutual-benefit business relationships with customers from,Europe,America and south Asia,supplying obsolete and hard-to-find components to meet their specific needs.

With the principle of “Quality Parts,Customers Priority,Honest Operation,and Considerate Service”,our business mainly focus on the distribution of electronic components. Line cards we deal with include Microchip,ALPS,ROHM,Xilinx,Pulse,ON,Everlight and Freescale. Main products comprise IC,Modules,Potentiometer,IC Socket,Relay,Connector.Our parts cover such applications as commercial,industrial, and automotives areas.

We are looking forward to setting up business relationship with you and hope to provide you with the best service and solution. Let us make a better world for our industry!



Contact us

Tel: +86-755-8981 8866 Fax: +86-755-8427 6832

Email & Skype: info@chipsmall.com Web: www.chipsmall.com


Address: A1208, Overseas Decoration Building, #122 Zhenhua RD., Futian, Shenzhen, China



MAX2580

LTE Small-Cell MIMO Transceiver

Highest Level of RF Transceiver Integration and Performance Saves Board Space and Accelerates Time-to-Market

 This product is Not Recommended for New Designs. Some versions may be No Longer Available or being discontinued and subject to Last Time Buy, after which new orders can not be placed.

Overview

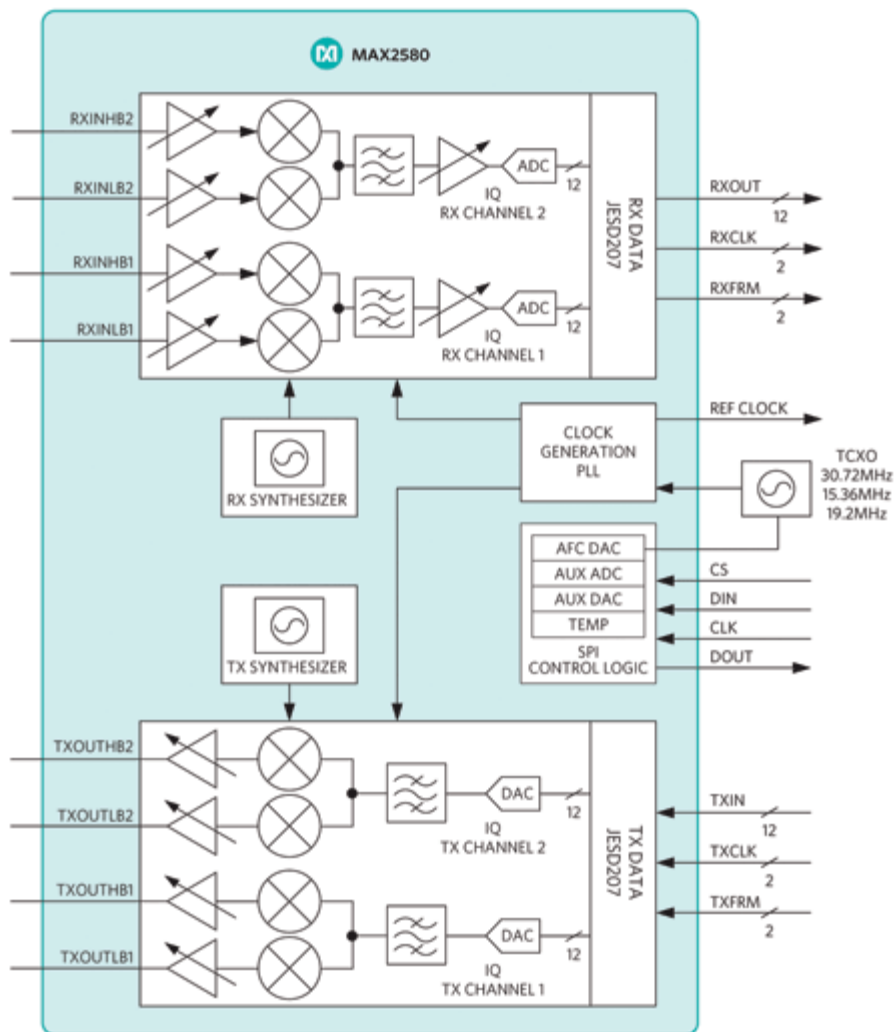
Description

The MAX2580 is a highly integrated, multistandard transceiver for 4G (LTE) small-cell basestations. The transceiver is capable of operating in both TDD and FDD modes in all LTE bands. It incorporates two fully integrated and independent transmit and receive paths, enabling full support of MIMO operation. Each receive path includes multiple input ports to support monitoring of out of band channels. The transceiver includes all components of the RF front-end as well as baseband amplifiers, data converters and channel selection filters. The MAX2580 requires only a few external components to work as an all-band, multimode, MIMO transceiver with programmable RX and TX channel bandwidths to support all LTE configurations.

IQ mismatch of both RX and TX paths is factory calibrated to meet the EVM requirement for 64QAM modulation in select bands. In addition, the TX path does not require an external SAW filter to meet emission and desensitization specifications in some applications.

All decimation/interpolation and channel selection filters are included on chip. For data transmission to the BBIC, the transceiver includes a JESD207-compliant parallel interface. The device is controlled via a standard SPI interface.

MAX2580: Block Diagram



Enlarge+

Key Features

- Operates in All LTE bands from 700MHz to 2700MHz
- Selectable Channel Bandwidth: GSM, 10MHz LTE, 20MHz LTE
- Fully Integrated Fractional-N Synthesizers
- Parallel JESD207 Baseband Data Interface
- All Decimation, Interpolation, and Channel Selection Filters are Included
- Fully Integrated DC Offset Removal
- 2% EVM
- RSSI and AGC
- On-Chip Regulators
- Temperature Sensor
- 4-Wire SPI Interface

Applications/Uses

- LTE Femtocell and Picocell Basestations