



Chipsmall Limited consists of a professional team with an average of over 10 year of expertise in the distribution of electronic components. Based in Hongkong, we have already established firm and mutual-benefit business relationships with customers from,Europe,America and south Asia,supplying obsolete and hard-to-find components to meet their specific needs.

With the principle of “Quality Parts,Customers Priority,Honest Operation,and Considerate Service”,our business mainly focus on the distribution of electronic components. Line cards we deal with include Microchip,ALPS,ROHM,Xilinx,Pulse,ON,Everlight and Freescale. Main products comprise IC,Modules,Potentiometer,IC Socket,Relay,Connector.Our parts cover such applications as commercial,industrial, and automotives areas.

We are looking forward to setting up business relationship with you and hope to provide you with the best service and solution. Let us make a better world for our industry!



Contact us

Tel: +86-755-8981 8866 Fax: +86-755-8427 6832

Email & Skype: info@chipsmall.com Web: www.chipsmall.com

Address: A1208, Overseas Decoration Building, #122 Zhenhua RD., Futian, Shenzhen, China





MAX2622/MAX2623/MAX2624 Evaluation Kits

General Description

The MAX2622/MAX2623/MAX2624 evaluation kits (EV kits) simplify evaluation of the MAX2622/MAX2623/MAX2624 VCOs. These kits enable testing of the devices' RF performance and require no additional support circuitry. The signal output uses an SMA connector to facilitate the connection to RF test equipment.

Component List

DESIGNATION	QTY	DESCRIPTION
C2, C3, C4, C8	4	220pF $\pm 5\%$ ceramic capacitors (0603) Murata GRM39COH0G221J50
C6	1	0 Ω resistor (0603)
C7	1	0.1 μ F $\pm 5\%$ ceramic capacitor (0603) Taiyo Yuden EMK107BJ104KA
R1, R2	2	1k Ω $\pm 5\%$ resistors (0603)
OUT	1	SMA connector (PC edge mount) EFJohnson 142-0701-801 or Digi-Key J502-ND
JU1	4	3-pin headers
U1	1	MAX2622EUA, MAX2623EUA, or MAX2624EUA

Component Suppliers

SUPPLIER	PHONE	FAX
Murata Electronics	800-831-9172	814-238-0490
Taiyo Yuden	408-573-4150	408-573-4159

NOTE: Please indicate that you are using the MAX2622, MAX2623, or MAX2624 when contacting these component suppliers.

Quick Start

The MAX2622/MAX2623/MAX2624 EV kits are fully assembled and factory tested. Follow the instructions in the *Connections and Setup* section for proper device evaluation.

Features

- ◆ Easy Evaluation of MAX2622/MAX2623/MAX2624
- ◆ +2.7V to +5.5V Single-Supply Operation
- ◆ RF Output Matched to 50 Ω
- ◆ All Critical Peripheral Components Included

Ordering Information

PART	TEMP. RANGE	IC-PACKAGE
MAX2622EVKIT	-40°C to +85°C	8 μ MAX
MAX2623EVKIT	-40°C to +85°C	8 μ MAX
MAX2624EVKIT	-40°C to +85°C	8 μ MAX

Test Equipment Required

This section lists the recommended test equipment to verify operation of the MAX2622/MAX2623/MAX2624. It is intended as a guide only, and some substitutions are possible.

- A two-channel power supply at +2.7V to +5.5V
- An ammeter (optional)
- An RF spectrum analyzer (HP 8561E, for example) that covers the operating frequency range of the MAX2622/MAX2623/MAX2624, as well as a few harmonics
- A 50 Ω SMA cable

Connections and Setup

This section provides a step-by-step guide to the functions and operation of these EV kits.

- 1) Connect a DC supply set to +3V (through an ammeter, if desired) to the V_{CC} and GND terminals on the EV kit.
- 2) Apply +3V to the $\overline{\text{SHDN}}$ control input.
- 3) Turn on the DC supply. The supply current should read about 8mA.
- 4) Connect the VCO output to a spectrum analyzer with a 50 Ω coaxial cable.
- 5) Apply a variable DC voltage to the TUNE input (+0.4V to +2.4V).
- 6) Check f_{MIN} and f_{MAX} on the spectrum analyzer by varying the tuning voltage.
- 7) Check the output power level (-3dBm typ).

Evaluate: MAX2622/MAX2623/MAX2624

MAX2622/MAX2623/MAX2624 Evaluation Kits

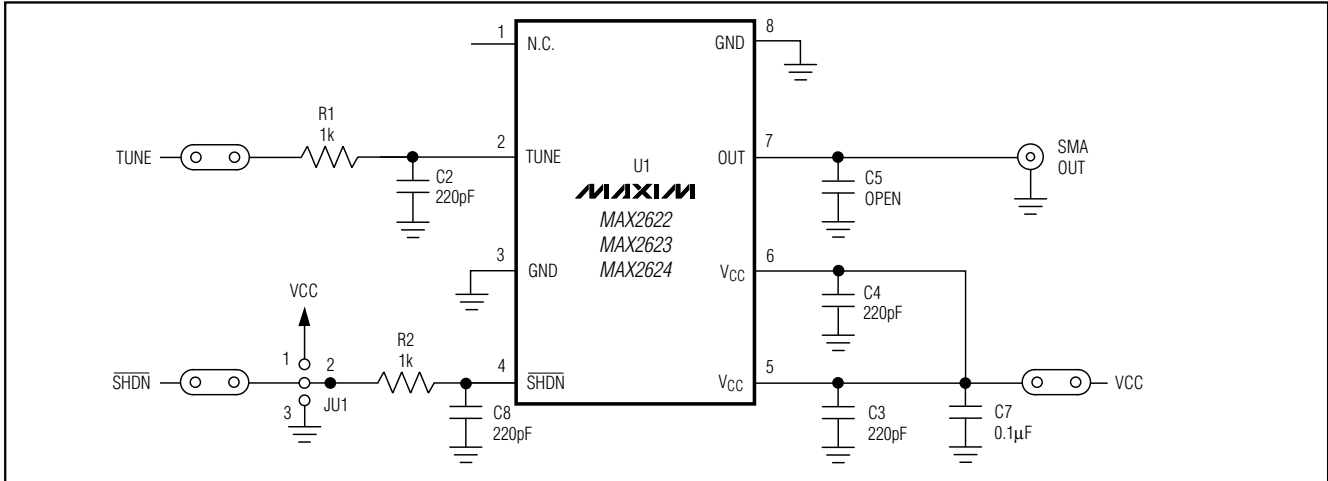


Figure 1. MAX2622/MAX2623/MAX2624 EV Kits Schematic

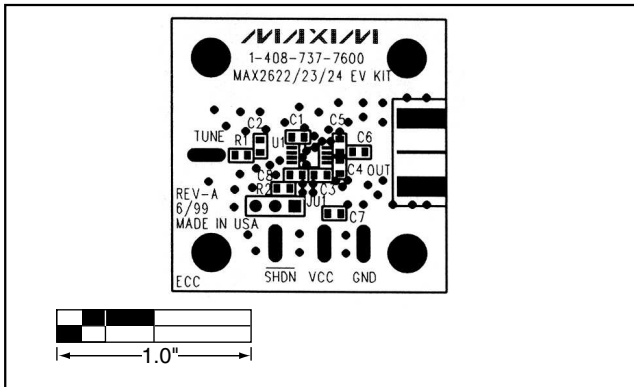


Figure 2. MAX2622/MAX2623/MAX2624 EV Kits Component Placement Guide—Component Side

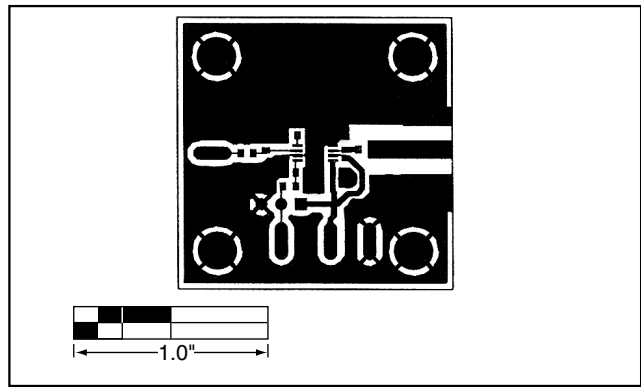


Figure 3. MAX2622/MAX2623/MAX2624 EV Kits PC Board Layout—Component Side

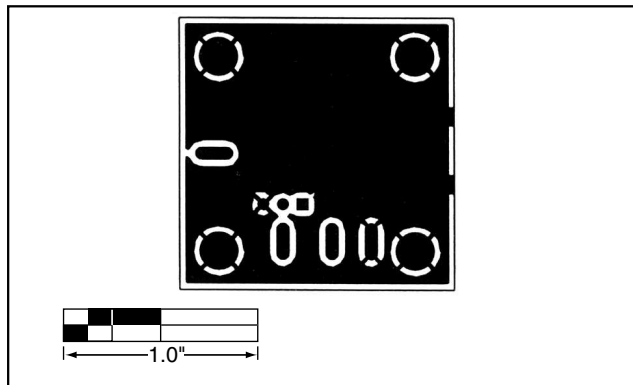


Figure 4. MAX2622/MAX2623/MAX2624 EV Kits PC Board Layout—Ground Plane

Maxim cannot assume responsibility for use of any circuitry other than circuitry entirely embodied in a Maxim product. No circuit patent licenses are implied. Maxim reserves the right to change the circuitry and specifications without notice at any time.

2 _____ **Maxim Integrated Products, 120 San Gabriel Drive, Sunnyvale, CA 94086 408-737-7600**