



Chipsmall Limited consists of a professional team with an average of over 10 year of expertise in the distribution of electronic components. Based in Hongkong, we have already established firm and mutual-benefit business relationships with customers from,Europe,America and south Asia,supplying obsolete and hard-to-find components to meet their specific needs.

With the principle of “Quality Parts,Customers Priority,Honest Operation,and Considerate Service”,our business mainly focus on the distribution of electronic components. Line cards we deal with include Microchip,ALPS,ROHM,Xilinx,Pulse,ON,Everlight and Freescale. Main products comprise IC,Modules,Potentiometer,IC Socket,Relay,Connector.Our parts cover such applications as commercial,industrial, and automotives areas.

We are looking forward to setting up business relationship with you and hope to provide you with the best service and solution. Let us make a better world for our industry!



Contact us

Tel: +86-755-8981 8866 Fax: +86-755-8427 6832

Email & Skype: info@chipsmall.com Web: www.chipsmall.com

Address: A1208, Overseas Decoration Building, #122 Zhenhua RD., Futian, Shenzhen, China



EVALUATION KIT
AVAILABLE



Multirate Clock and Data Recovery with Limiting Amplifier

MAX3872

General Description

The MAX3872 is a compact, multirate clock and data recovery with limiting amplifier for OC-3, OC-12, OC-24, OC-48, OC-48 with FEC SONET/SDH and Gigabit Ethernet (1.25Gbps/2.5Gbps) applications. Without using an external reference clock, the fully integrated phase-locked loop (PLL) recovers a synchronous clock signal from the serial NRZ data input. The input data is then retimed by the recovered clock, providing a clean data output. An additional serial input (SLBI±) is available for system loopback diagnostic testing. Alternatively, this input can be connected to a reference clock to maintain a valid clock output in the absence of data transitions. The device also includes a loss-of-lock (LOL) output.

The MAX3872 contains a vertical threshold control to compensate for optical noise due to EDFAs in DWDM transmission systems. The recovered data and clock outputs are CML with on-chip 50Ω back termination on each line. Its jitter performance exceeds all SONET/SDH specifications.

The MAX3872 operates from a single +3.3V supply and typically consumes 580mW. It is available in a 5mm x 5mm 32-pin thin QFN with exposed-pad package and operates over a -40°C to +85°C temperature range.

Applications

SONET/SDH Receivers and Regenerators
Add/Drop Multiplexers
Digital Cross-Connects
SONET/SDH Test Equipment
DWDM Transmission Systems
Access Networks

Pin Configuration appears at end of data sheet.

Features

- ◆ Multirate Data Input: 2.667Gbps (FEC), 2.488Gbps, 1.244Gbps, 622.08Mbps, 155.52Mbps, 1.25Gbps/2.5Gbps (Ethernet)
- ◆ Reference Clock Not Required for Data Acquisition
- ◆ Exceeds ANSI, ITU, and Bellcore SONET/SDH Jitter Specifications
- ◆ 2.7mUI_{RMS} Jitter Generation
- ◆ 10mV_{p-p} Input Sensitivity Without Threshold Adjust
- ◆ 0.65UI_{p-p} High-Frequency Jitter Tolerance
- ◆ ±170mV Input Threshold Adjust Range
- ◆ Clock Holdover Capability Using Frequency-Selectable Reference Clock
- ◆ Serial Loopback Input Available for System Diagnostic Testing
- ◆ Loss-of-Lock (LOL) Indicator

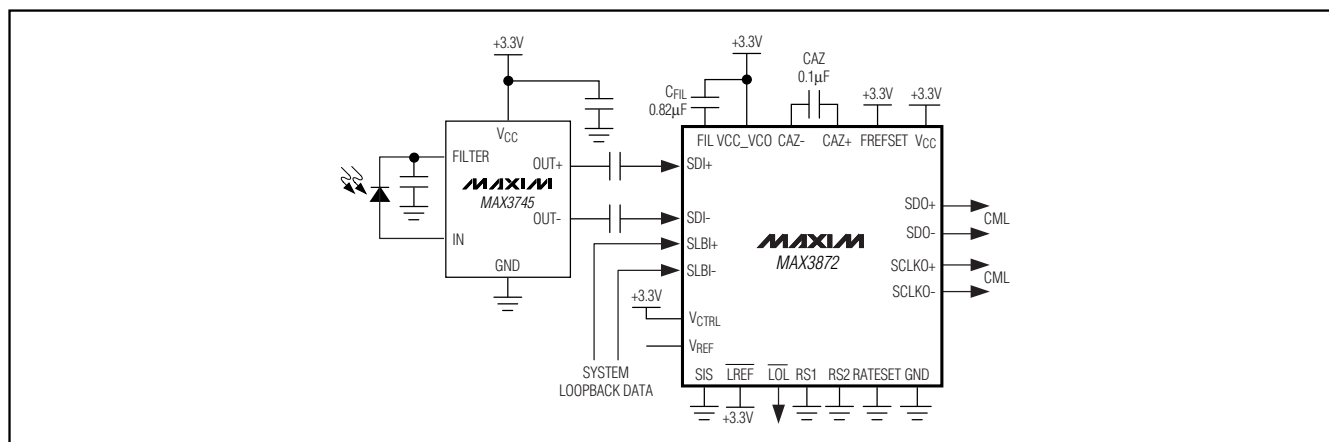
Ordering Information

PART	TEMP RANGE	PIN-PACKAGE	PKG CODE
MAX3872EGJ	-40°C to +85°C	32 QFN-EP*	G3255-1
MAX3872ETJ+	-40°C to +85°C	32 TQFN-EP*	T3255-3

*EP = Exposed pad.

+Denotes lead-free package.

Typical Application Circuit



Multirate Clock and Data Recovery with Limiting Amplifier

ABSOLUTE MAXIMUM RATINGS

Supply Voltage, V_{CC} -0.5V to +5.0V
 Input Voltage Levels
 (SDI+, SDI-, SLBI+, SLBI-) ($V_{CC} - 1.0V$) to ($V_{CC} + 0.5V$)
 Input Current Levels
 (SDI+, SDI-, SLBI+, SLBI-) $\pm 20mA$
 CML Output Current
 (SDO+, SDO-, SCLKO+, SCLKO-) $\pm 22mA$
 Voltage at \overline{LOL} , \overline{LREF} , SIS, FIL,
 RATESET, FREFSET, RS1, RS2,
 V_{CTRL} , V_{REF} , CAZ+, CAZ- -0.5V to ($V_{CC} + 0.5V$)

Continuous Power Dissipation ($T_A = +85^\circ C$)
 32-Pin QFN (derate 21.3mW/ $^\circ C$ above $+85^\circ C$) 1384mW
 Operating Junction Temperature Range $-55^\circ C$ to $+150^\circ C$
 Storage Temperature Range $-55^\circ C$ to $+150^\circ C$
 Processing Temperature (die) $+400^\circ C$
 Lead Temperature (soldering, 10s) $+300^\circ C$

Stresses beyond those listed under "Absolute Maximum Ratings" may cause permanent damage to the device. These are stress ratings only, and functional operation of the device at these or any other conditions beyond those indicated in the operational sections of the specifications is not implied. Exposure to absolute maximum rating conditions for extended periods may affect device reliability.

DC ELECTRICAL CHARACTERISTICS

($V_{CC} = +3.0V$ to $+3.6V$, $T_A = -40^\circ C$ to $+85^\circ C$. Typical values at $V_{CC} = +3.3V$, $T_A = +25^\circ C$, unless otherwise noted.) (Note 1)

PARAMETER	SYMBOL	CONDITIONS	MIN	TYP	MAX	UNITS
Supply Current	I_{CC}	(Note 2)		175	215	mA
INPUT SPECIFICATIONS (SDI\pm, SLBI\pm)						
Single-Ended Input Voltage Range	V_{IS}	Figure 1	$V_{CC} - 0.8$		$V_{CC} + 0.4$	V
Input Common-Mode Voltage		Figure 1	$V_{CC} - 0.4$		V_{CC}	V
Input Termination to V_{CC}	R_{IN}		42.5	50	57.5	Ω
THRESHOLD-SETTING SPECIFICATIONS (SDI\pm)						
Differential Input Voltage Range (SDI \pm)		Threshold adjust enabled	50		600	mV _{P-P}
Threshold Adjustment Range	V_{TH}	Figure 2	-170		+170	mV
Threshold Control Voltage	V_{CTRL}	Figure 2 (Note 3)	0.3		2.1	V
Threshold Control Linearity				± 5		%
Threshold Setting Accuracy		Figure 2	-18		+18	mV
Threshold Setting Stability		$15mV \leq V_{TH} \leq 80mV$	-6		+6	mV
		$80mV < V_{TH} \leq 170mV$	-12		+12	
Maximum Input Current	I_{CTRL}		-10		+10	μA
Reference Voltage Output	V_{REF}		2.14	2.2	2.24	V
CML OUTPUT SPECIFICATIONS (SDO\pm, SCLKO\pm)						
CML Differential Output Swing		(Note 4)	600	800	1000	mV _{P-P}
CML Differential Output Impedance	R_O		85	100	115	Ω
CML Output Common-Mode Voltage		(Note 4)		$V_{CC} - 0.2$		V

Multirate Clock and Data Recovery with Limiting Amplifier

MAX3872

DC ELECTRICAL CHARACTERISTICS (continued)

($V_{CC} = +3.0V$ to $+3.6V$, $T_A = -40^{\circ}C$ to $+85^{\circ}C$. Typical values at $V_{CC} = +3.3V$, $T_A = +25^{\circ}C$, unless otherwise noted.) (Note 1)

PARAMETER	SYMBOL	CONDITIONS	MIN	TYP	MAX	UNITS
LVTTL INPUT/OUTPUT SPECIFICATIONS (LOL, LREF, RATESET, RS1, RS2, FREFSET)						
LVTTL Input High Voltage	V_{IH}		2.0			V
LVTTL Input Low Voltage	V_{IL}				0.8	V
LVTTL Input Current			-10		+10	μA
LVTTL Output High Voltage	V_{OH}	$I_{OH} = +20\mu A$	2.4			V
LVTTL Output Low Voltage	V_{OL}	$I_{OL} = -1mA$			0.4	V

Note 1: At $-40^{\circ}C$, DC characteristics are guaranteed by design and characterization.

Note 2: CML outputs open.

Note 3: Voltage applied to V_{CTRL} pin is from $+0.3V$ to $+2.1V$ when input threshold is adjusted from $+170mV$ to $-170mV$.

Note 4: $R_L = 50\Omega$ to V_{CC} .

AC ELECTRICAL CHARACTERISTICS

($V_{CC} = +3.0V$ to $+3.6V$, $T_A = -40^{\circ}C$ to $+85^{\circ}C$. Typical values are at $V_{CC} = +3.3V$ and $T_A = +25^{\circ}C$, unless otherwise noted.) (Note 5)

PARAMETER	SYMBOL	CONDITIONS	MIN	TYP	MAX	UNITS
Serial Input Data Rate			Table 2			
Differential Input Voltage (SDI_{\pm})	V_{ID}	Threshold adjust disabled, Figure 1 (Note 6)	10		1600	mV _{P-P}
Differential Input Voltage ($SLBI_{\pm}$)		$BER \leq 10^{-10}$	50		800	mV _{P-P}
Jitter Transfer Bandwidth	J_{BW}	OC-3		80	130	kHz
		OC-12		370	500	
		OC-48		1500	2000	
Jitter Peaking	J_P	$f \leq J_{BW}$			0.1	dB
Sinusoidal Jitter Tolerance OC-48		$f = 100kHz$	3.1	8.0		UI _{P-P}
		$f = 1MHz$	0.62	0.93		
		$f = 10MHz$	0.44	0.65		
Sinusoidal Jitter Tolerance OC-12		$f = 25kHz$	2.9	8.3		UI _{P-P}
		$f = 250kHz$	0.59	1.03		
		$f = 2.5MHz$	0.42	0.63		
Sinusoidal Jitter Tolerance OC-3		$f = 6.5kHz$	2.9	7.8		UI _{P-P}
		$f = 65kHz$	0.59	1.05		
		$f = 650kHz$	0.42	0.64		
Sinusoidal Jitter Tolerance with Threshold Adjust Enabled OC-48 (Note 7)		$f = 100kHz$		7.1		UI _{P-P}
		$f = 1MHz$		0.82		
		$f = 10MHz$		0.54		
Jitter Generation	J_{GEN}	(Note 8)		2.7	4.0	mUI _{RMS}
Differential Input Return Loss (SDI_{\pm} , $SLBI_{\pm}$)	$-20 \log S_{11} $	100kHz to 2.5GHz		16		dB
		2.5GHz to 4.0GHz		15		

Multirate Clock and Data Recovery with Limiting Amplifier

AC ELECTRICAL CHARACTERISTICS (continued)

($V_{CC} = +3.0V$ to $+3.6V$, $T_A = -40^{\circ}C$ to $+85^{\circ}C$. Typical values are at $V_{CC} = +3.3V$ and $T_A = +25^{\circ}C$, unless otherwise noted.) (Note 5)

PARAMETER	SYMBOL	CONDITIONS	MIN	TYP	MAX	UNITS
CML OUTPUT SPECIFICATIONS (SDO$_{\pm}$, SCLKO$_{\pm}$)						
Output Edge Speed	t_r, t_f	20% to 80%			110	ps
CML Output Differential Swing		$R_C = 100\Omega$ differential	600	800	1000	mV _{P-P}
Clock-to-Q Delay	t_{CLK-Q}	(Note 9)	-50		+50	ps
PLL ACQUISITION/LOCK SPECIFICATIONS						
Tolerated Consecutive Identical Digits		$BER \leq 10^{-10}$		2000		bits
Acquisition Time		Figure 4 (Note 10)		5.5		ms
\overline{LOL} Assert Time		Figure 4	2.3		100.0	μs
Low-Frequency Cutoff for DC-Offset Cancellation		CAZ = 0.1 μF		4		kHz
CLOCK HOLDOVER SPECIFICATIONS						
Reference Clock Frequency				Table 3		
Maximum VCO Frequency Drift		(Note 11)			400	ppm

Note 5: AC characteristics are guaranteed by design and characterization.

Note 6: Jitter tolerance is guaranteed ($BER \leq 10^{-10}$) within this input voltage range. Input threshold adjust is disabled with VCTRL connected to V_{CC} .

Note 7: Measured at OC-48 data rate using a 100mV_{P-P} differential swing with a 20mVDC offset and an edge speed of 145ps (4th-order Bessel filter with $f_{3dB} = 1.8GHz$).

Note 8: Measured with 10mV_{P-P} differential input, 2²³ - 1 PRBS pattern at OC-48 with bandwidth from 12kHz to 20MHz.

Note 9: Relative to the falling edge of the SCLKO+ (Figure 3).

Note 10: Measured using a 0.82 μF loop-filter capacitor initialized to +3.6V.

Note 11: Measured at OC-48 data rate under LOL condition with the CDR clock output set by the external reference clock.

Timing Diagrams

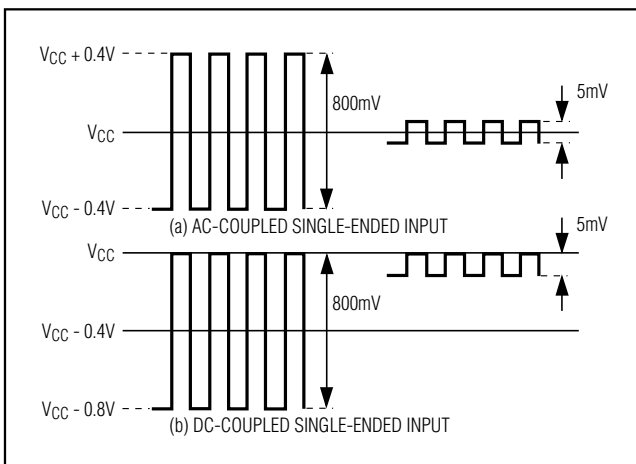


Figure 1. Definition of Input Voltage Swing

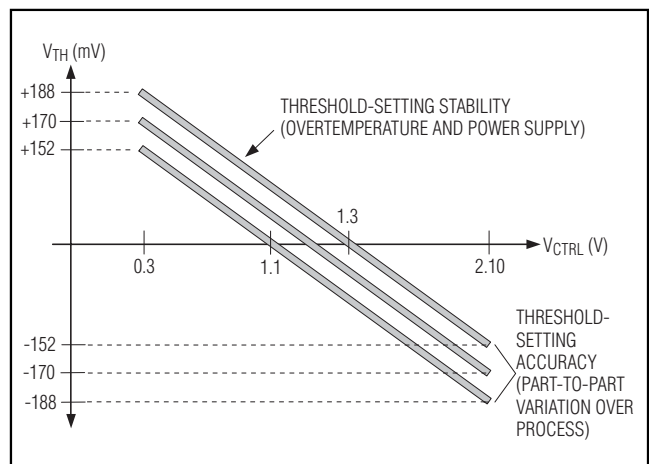


Figure 2. Relationship Between Control Voltage and Threshold Voltage

Multirate Clock and Data Recovery with Limiting Amplifier

MAX3872

Timing Diagrams (continued)

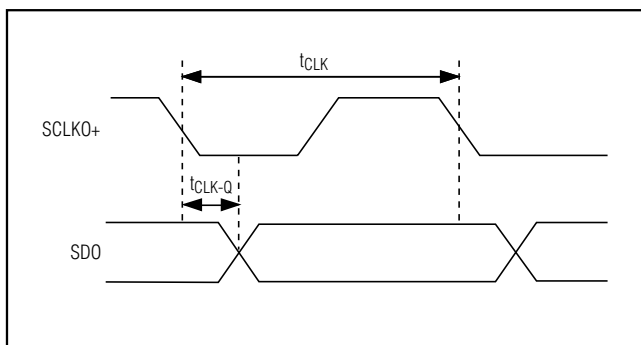


Figure 3. Definition of Clock-to-Q Delay

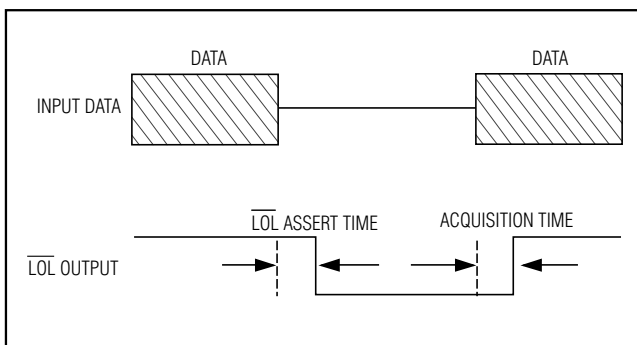
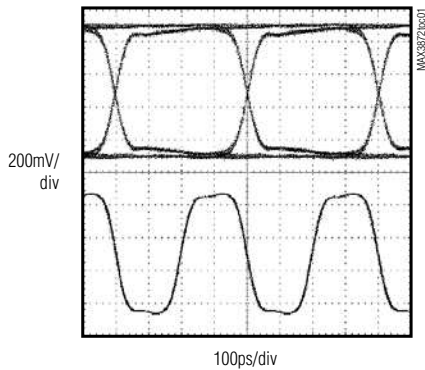


Figure 4. $\overline{\text{LOL}}$ Assert Time and PLL Acquisition Time Measurement

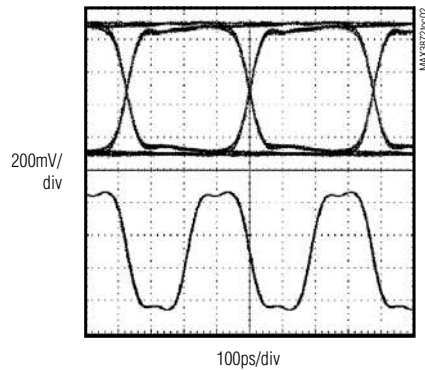
Typical Operating Characteristics

($V_{CC} = +3.3V$, $T_A = +25^\circ C$, unless otherwise noted.)

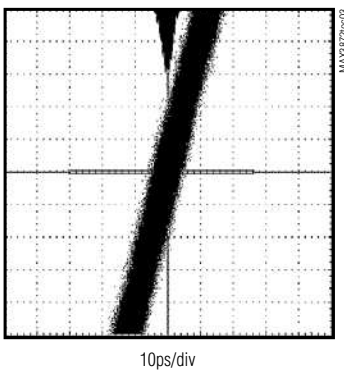
RECOVERED CLOCK AND DATA (2.488Gbps, 2²³ - 1 PATTERN, $V_{IN} = 10mV_{p-p}$)



RECOVERED CLOCK AND DATA (2.67Gbps, 2²³ - 1 PATTERN, $V_{IN} = 10mV_{p-p}$)

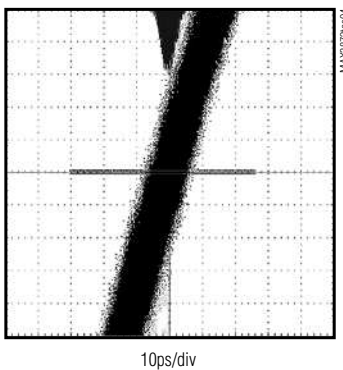


RECOVERED CLOCK JITTER (2.488Gbps)



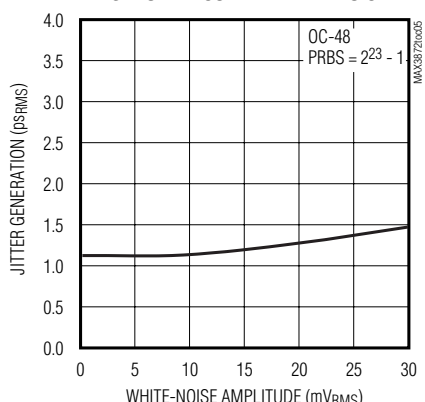
TOTAL WIDEBAND RMS JITTER = 1.60ps
PEAK-TO-PEAK JITTER = 12.20ps

RECOVERED CLOCK JITTER (622.08Mbps)



TOTAL WIDEBAND RMS JITTER = 2.17ps
PEAK-TO-PEAK JITTER = 15.80ps

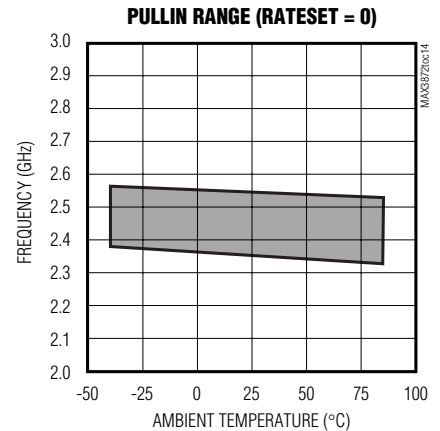
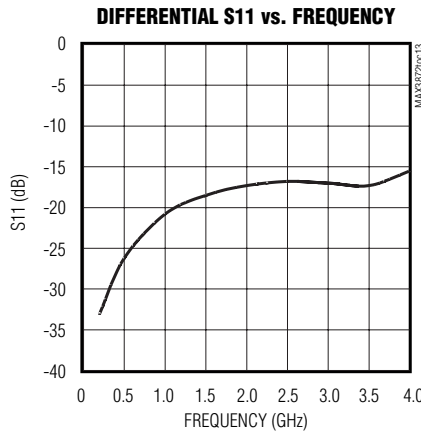
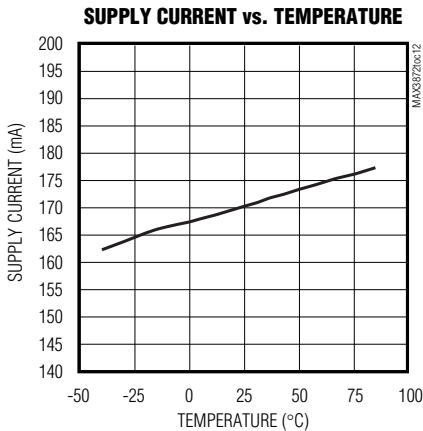
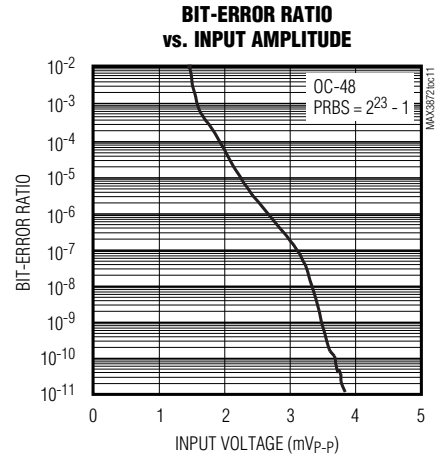
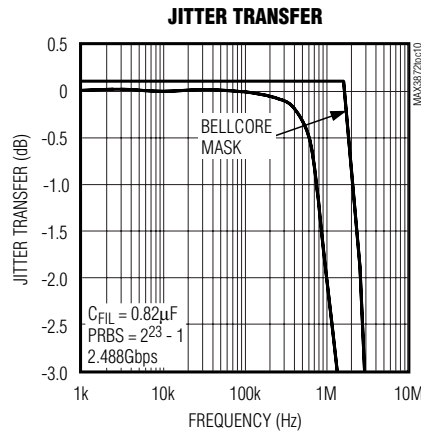
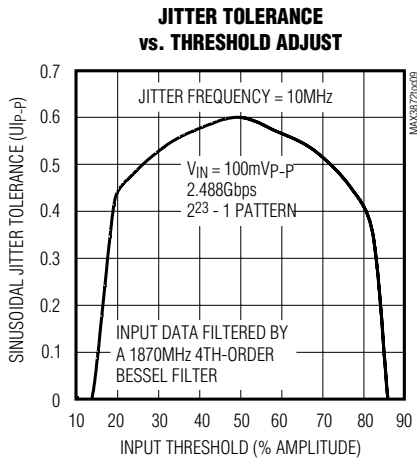
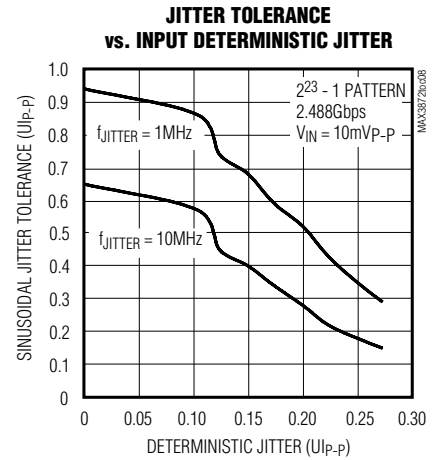
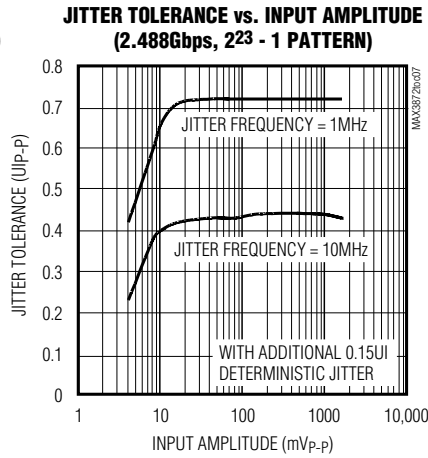
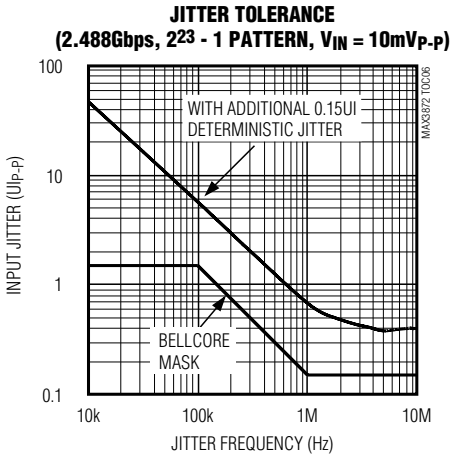
JITTER GENERATION vs. POWER-SUPPLY WHITE NOISE



Multirate Clock and Data Recovery with Limiting Amplifier

Typical Operating Characteristics (continued)

($V_{CC} = +3.3V$, $T_A = +25^\circ C$, unless otherwise noted.)



Multirate Clock and Data Recovery with Limiting Amplifier

Pin Description

PIN	NAME	FUNCTION
1, 4, 27	VCC	+3.3V Supply Voltage
2	SDI+	Positive Serial Data Input, CML
3	SDI-	Negative Serial Data Input, CML
5	SLBI+	Positive System Loopback Input or Reference Clock Input, CML
6	SLBI-	Negative System Loopback Input or Reference Clock Input, CML
7	SIS	Signal Selection Input, LVTTTL. Set low for normal operation, set high for system loopback.
8	$\overline{\text{LREF}}$	Lock to Reference Clock Input, LVTTTL. Set high for PLL lock to serial data, set low for PLL lock to reference clock.
9	$\overline{\text{LOL}}$	Loss-of-Lock Output, LVTTTL. Active low.
10, 11, 16, 25, 32	GND	Supply Ground
12	FIL	PLL Loop Filter Capacitor Input. Connect a 0.82 μ F capacitor between FIL and VCC_VCO.
13, 18	VCC_VCO	+3.3V Supply Voltage for the VCO
14	RS1	Multirate Select Input 1, LVTTTL (Table 2)
15	RS2	Multirate Select Input 2, LVTTTL (Table 2)
17	RATESET	VCO Frequency Select Input, LVTTTL (Table 2)
19	SCLKO-	Negative Serial Clock Output, CML
20	SCLKO+	Positive Serial Clock Output, CML
21, 24	VCC_OUT	+3.3V Supply Voltage for the CML Outputs
22	SDO-	Negative Serial Data Output, CML
23	SDO+	Positive Serial Data Output, CML
26	FREFSET	Reference Clock Frequency Select Input, LVTTTL (Tables 2 and 3)
28	CAZ+	Positive Capacitor Input for DC-Offset Cancellation Loop. Connect a 0.1 μ F capacitor between CAZ+ and CAZ-.
29	CAZ-	Negative Capacitor Input for DC-Offset Cancellation Loop. Connect a 0.1 μ F capacitor between CAZ+ and CAZ-.
30	VREF	+2.2V Bandgap Reference Voltage Output. Optionally used for threshold adjustment.
31	VCTRL	Analog Control Input for Threshold Adjustment. Connect to VCC to disable threshold adjust.
EP	Exposed Pad	Ground. The exposed pad must be soldered to the circuit board ground for proper thermal and electrical performance.

MAX3872

Multirate Clock and Data Recovery with Limiting Amplifier

Detailed Description

The MAX3872 consists of a fully integrated phase-locked loop (PLL), limiting amplifier with threshold adjust, DC-offset cancellation loop, data retiming block, and CML output buffers (Figure 5). The PLL consists of a phase/frequency detector, a loop filter, and a voltage-controlled oscillator (VCO) with programmable dividers.

This device is designed to deliver the best combination of jitter performance and power dissipation by using a fully differential signal architecture and low-noise design techniques.

SDI Input Amplifier

The SDI inputs of the MAX3872 accept serial NRZ data with a differential input amplitude from 10mV_{P-P} up to 1600mV_{P-P}. The input sensitivity is 10mV_{P-P}, at which the jitter tolerance is met for a BER of 10⁻¹⁰ with threshold adjust disabled. The input sensitivity can be as low as 4mV_{P-P} and still maintain a BER of 10⁻¹⁰. The MAX3872 inputs are designed to directly interface with a transimpedance amplifier such as the MAX3745.

For applications in which vertical threshold adjustment is needed, the MAX3872 can be connected to the output of an AGC amplifier such as the MAX3861. When using the threshold adjust, the input voltage range is 50mV_{P-P} to 600mV_{P-P}. See the *Design Procedure* section for decision threshold adjust.

SLBI Input Amplifier

The SLBI input amplifier accepts either NRZ loopback data or a reference clock signal. This amplifier can accept a differential input amplitude from 50mV_{P-P} to 800mV_{P-P}.

Phase Detector

The phase detector incorporated in the MAX3872 produces a voltage proportional to the phase difference between the incoming data and the internal clock. Because of its feedback nature, the PLL drives the error voltage to zero, aligning the recovered clock to the center of the incoming data eye for retiming.

Frequency Detector

The digital frequency detector (FD) acquires frequency lock without the use of an external reference clock. The frequency difference between the received data and the VCO clock is derived by sampling the in-phase and quadrature VCO outputs on both edges of the data input signal. Depending on the polarity of the frequency difference, the FD drives the VCO until the frequency difference is reduced to zero. Once frequency acquisition is complete, the FD returns to a neutral state. False locking is completely eliminated by this digital frequency detector.

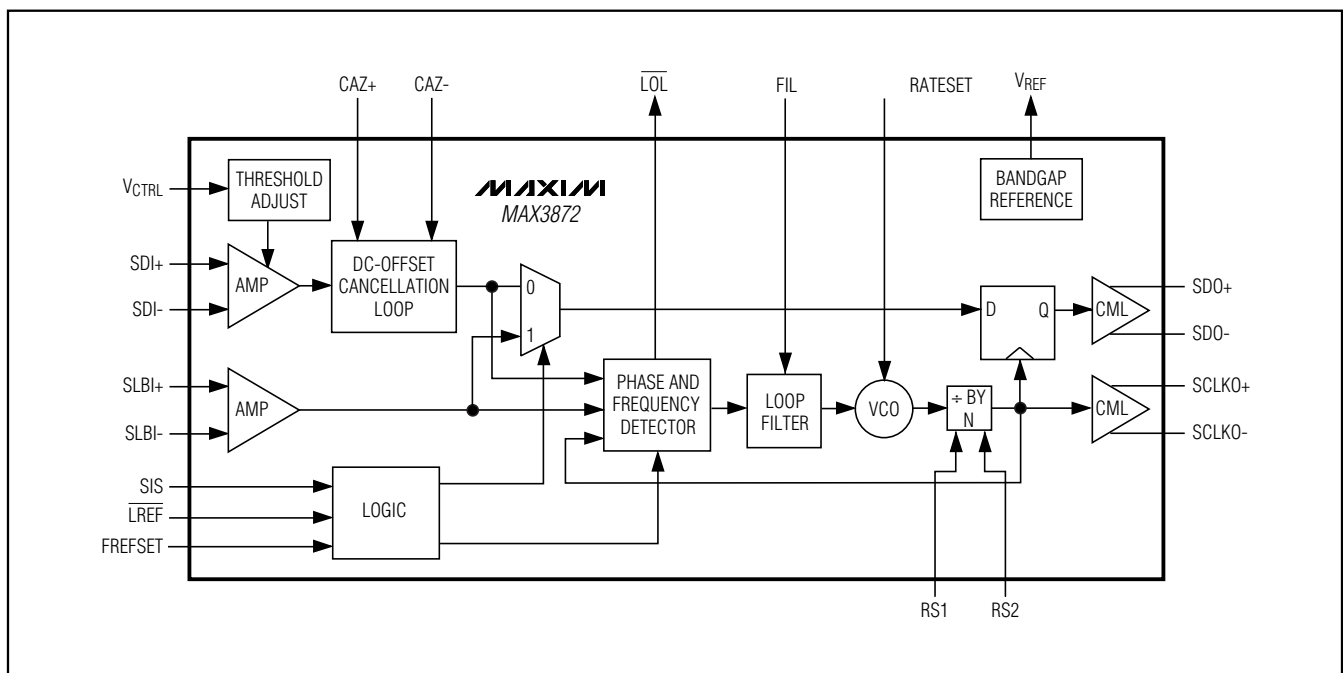


Figure 5. Functional Diagram

Multirate Clock and Data Recovery with Limiting Amplifier

Loop Filter

The phase detector and frequency detector outputs are summed into the loop filter. An external capacitor (C_{FIL}) connected from FIL to VCC_VCO is required to set the PLL damping ratio. Note that the PLL jitter bandwidth does not change as the external capacitor changes, but the jitter peaking, acquisition time, and loop stability are affected. See the *Design Procedure* section for guidelines on selecting this capacitor.

VCOs with Programmable Dividers

The loop filter output controls the two on-chip VCOs. The VCOs provide low phase noise and are trimmed to the frequency of 2.488GHz and 2.667GHz. The RATESET pin is used to select the appropriate VCO. The VCO output is connected to programmable dividers controlled by inputs RS1 and RS2. See Tables 2 and 3 for the proper settings.

LOL Monitor

The \overline{LOL} output indicates a PLL lock failure, either because of excessive jitter present at the data input or because of loss of input data. The \overline{LOL} output is asserted low when the PLL loses lock.

DC-Offset Cancellation Loop

A DC-offset cancellation loop is implemented to remove the DC offset of the limiting amplifier. To minimize the low-frequency pattern-dependent jitter associated with this DC-cancellation loop, the low-frequency cutoff is 10kHz (typ) with $CAZ = 0.1\mu F$, connected from CAZ+ to CAZ-. The DC-offset cancellation loop operates only when threshold adjust is disabled.

Design Procedure

Decision Threshold Adjust

In applications in which the noise density is not balanced between logical zeros and ones (i.e., optical amplification using EDFA amplifiers), lower bit-error ratios (BERs) can be achieved by adjusting the input threshold. Varying the voltage at VCTRL from +0.3V to +2.1V achieves a vertical decision threshold adjustment of +170mV to -170mV, respectively (Figure 2). Use the provided bandgap reference voltage output (VREF) with a voltage-divider circuit or the output of a DAC to set the voltage at VCTRL. VREF can be used to generate the voltage for VCTRL (Figure 10). If threshold adjust is not required, disable it by connecting VCTRL directly to VCC and leave VREF floating.

Modes of Operation

The MAX3872 has three operational modes controlled by the \overline{LREF} and SIS inputs. The three operational modes are normal, system loopback, and clock holdover. Normal operation mode requires a serial data stream at the SDI± input, system loopback mode requires a serial data stream at the SLBI± input, and clock holdover mode requires a reference clock signal at the SLBI± inputs. See Table 1 for the required \overline{LREF} and SIS settings. Once an operational mode is chosen, the remaining logic inputs (RATESET, RS1, RS2, and FREFSET) program the input data rate or reference clock frequency.

Normal and System Loopback Settings

Three pins (RS1, RS2, and RATESET) are available for setting the SDI± and SLBI± input to receive the appropriate data rate. The FREFSET pin can be set to a zero or 1 while in normal or system loopback mode (Table 2).

Clock Frequencies in Holdover Mode

Set the incoming reference clock frequency and outgoing serial clock frequency by setting RS1, RS2, RATESET, and FREFSET appropriately (Table 3).

Table 1. Operational Modes

MODE	\overline{LREF}	SIS
Normal	1	0
System loopback	1	1
Clock holdover	0	1 or 0

Table 2. Data Rate Settings

INPUT DATA RATE (bps)	RS1	RS2	RATESET	FREFSET
2.667G	0	0	1	1 or 0
2.488G/2.5G	0	0	0	1 or 0
1.25G/1.244G	1	1	0	1 or 0
666.51M	0	1	1	1 or 0
622.08M	0	1	0	1 or 0
166.63M	1	0	1	1 or 0
155.52M	1	0	0	1 or 0

Multirate Clock and Data Recovery with Limiting Amplifier

Table 3. Holdover Frequency Settings

REFERENCE CLOCK FREQUENCY (MHz)	SCLKO FREQUENCY	RS1	RS2	RATESET	FREFSET
666.51	2.667GHz	0	0	1	0
666.51	666.51MHz	0	1	1	0
666.51	166.63MHz	1	0	1	0
622.08/625	1.244/1.25GHz	1	1	0	0
622.08/625	2.488GHz/2.5GHz	0	0	0	0
622.08	622.08MHz	0	1	0	0
622.08	155.52MHz	1	0	0	0
166.63	2.67GHz	0	0	1	1
166.63	666.51MHz	0	1	1	1
166.63	166.63MHz	1	0	1	1
155.52/156.25	1.244/1.25GHz	1	1	0	1
155.52/156.25	2.488GHz/2.5GHz	0	0	0	1
155.52	622.08MHz	0	1	0	1
155.52	155.52MHz	1	0	0	1

Setting the Loop Filter

The MAX3872 is designed for regenerator and receiver applications. Its fully integrated PLL is a classic 2nd-order feedback system, with a jitter transfer bandwidth (J_{BW}) below 2.0MHz. The external capacitor (C_{FIL}) connected from FIL to VCC_VCO sets the PLL loop damping. Note that the PLL jitter transfer bandwidth does not change as C_{FIL} changes, but the jitter peaking, acquisition time, and loop stability are affected. Figures 6 and 7 show the open-loop and closed-loop transfer functions.

The PLL zero frequency, f_z , is a function of external capacitor C_{FIL} , and can be approximated according to:

$$f_z = \frac{1}{2\pi(650\Omega)C_{FIL}}$$

For an overdamped system ($f_z / J_{BW} < 0.25$), the jitter peaking (J_p) of a 2nd-order system can be approximated by:

$$J_p = 20\log\left(1 + \frac{f_z}{J_{BW}}\right)$$

where J_{BW} is the jitter transfer bandwidth for a given data rate.

The recommended value of $C_{FIL} = 0.82\mu F$ is to guarantee a maximum jitter peaking of less than 0.1dB for all data rates. Decreasing C_{FIL} from the recommended value decreases acquisition time, with the tradeoff of increased peaking. For data rates greater than OC-3, C_{FIL} can be less than $0.82\mu F$ and still meet the jitter-peaking specification.

Excessive reduction of C_{FIL} might cause PLL instability. C_{FIL} must be a low-TC, high-quality capacitor of type X7R or better.

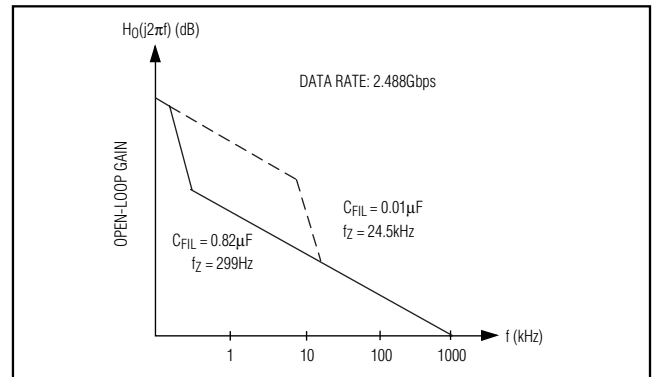


Figure 6. Open-Loop Transfer Function

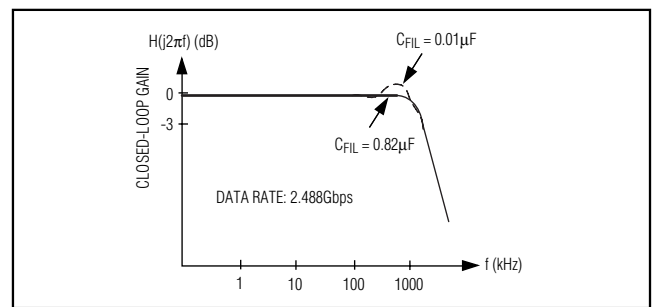


Figure 7. Closed-Loop Transfer Function

Multirate Clock and Data Recovery with Limiting Amplifier

Input Terminations

The SDI± and SLBI± inputs of the MAX3872 are current-mode logic (CML) compatible. The inputs all provide internal 50Ω termination to reduce the required number of external components. AC-coupling is recommended. See Figure 8 for the input structure. For additional information on logic interfacing, refer to Maxim Application Note HFAN 1.0: *Introduction to LVDS, PECL, and CML*.

Output Terminations

The MAX3872 uses CML for its high-speed digital outputs (SDO± and SCLKO±). The configuration of the output circuit includes internal 50Ω back terminations to V_{CC}. See Figure 9 for the output structure. CML outputs can be terminated by 50Ω to V_{CC}, or by 100Ω differential impedance. For additional information on logic interfacing, refer to Maxim Application Note HFAN 1.0: *Introduction to LVDS, PECL, and CML*.

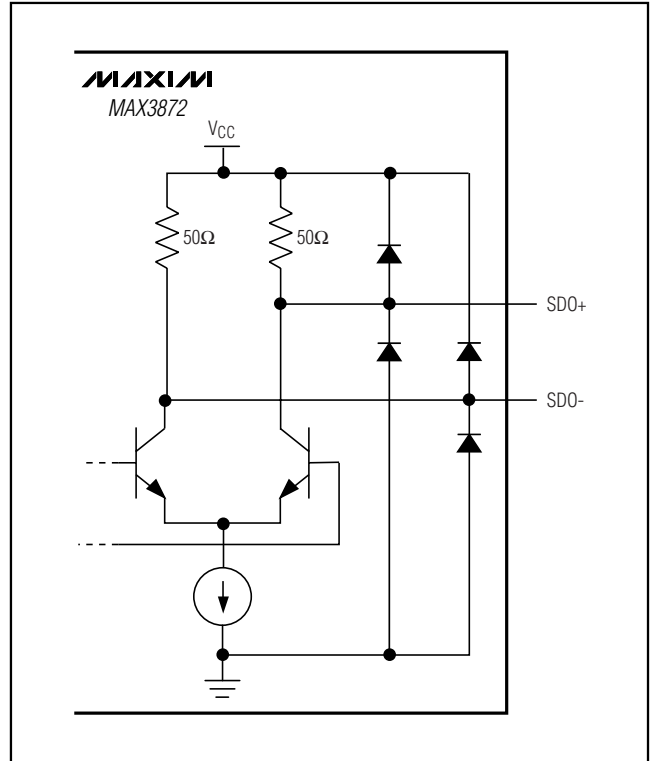


Figure 9. CML Output Model

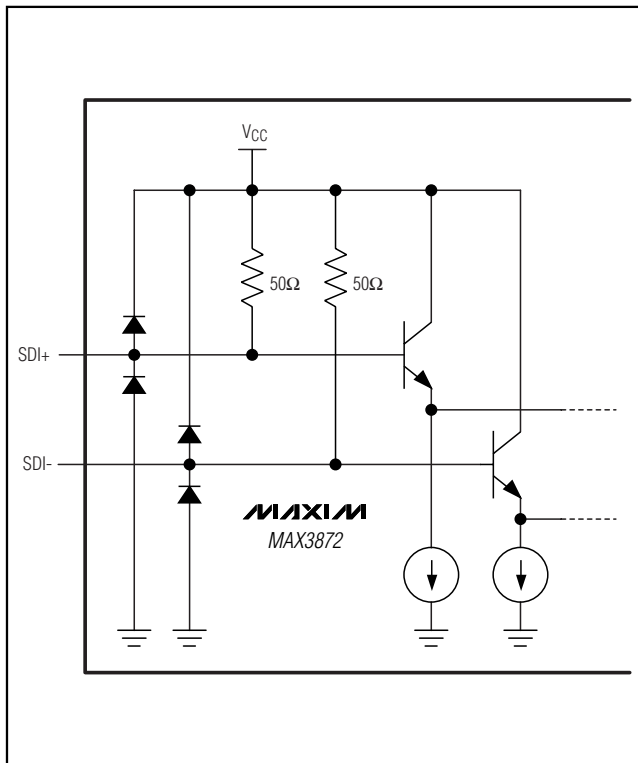


Figure 8. CML Input Model

Applications Information

Clock Holdover Capability

Clock holdover is required in some applications in which a valid clock must be provided to the upstream device in the absence of data transitions. To provide this function, an external reference clock signal must be applied to the SLBI± inputs and the proper control signals set (see the *Modes of Operation* section). To enter holdover mode automatically when there are no transitions applied to the SDI± inputs, $\overline{\text{LOL}}$ or the system LOS can be directly connected to $\overline{\text{LREF}}$.

System Loopback

The MAX3872 is designed to allow system loopback testing. When the device is set for system loopback mode, the serial output data of a transmitter may be directly connected to the SLBI inputs to run system diagnostics. See Table 1 for selecting system loopback operation mode. While in system loopback mode, $\overline{\text{LREF}}$ should not be connected to $\overline{\text{LOL}}$.

Multirate Clock and Data Recovery with Limiting Amplifier

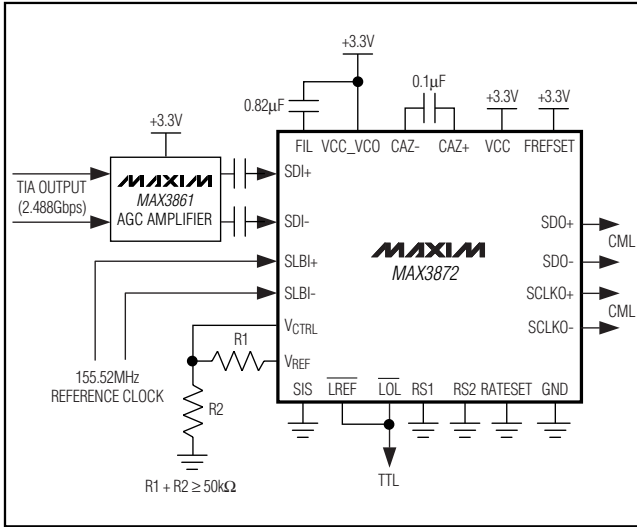


Figure 10. Interfacing with the MAX3861 AGC Using Threshold Adjust

Consecutive Identical Digits (CIDs)

The MAX3872 has a low phase and frequency drift in the absence of data transitions. As a result, long runs of consecutive zeros and ones can be tolerated while maintaining a BER better than 10^{-10} . The CID tolerance is tested using a $2^{13} - 1$ PRBS with long runs of ones and zeros inserted in the pattern. A CID tolerance of 2000 bits is typical.

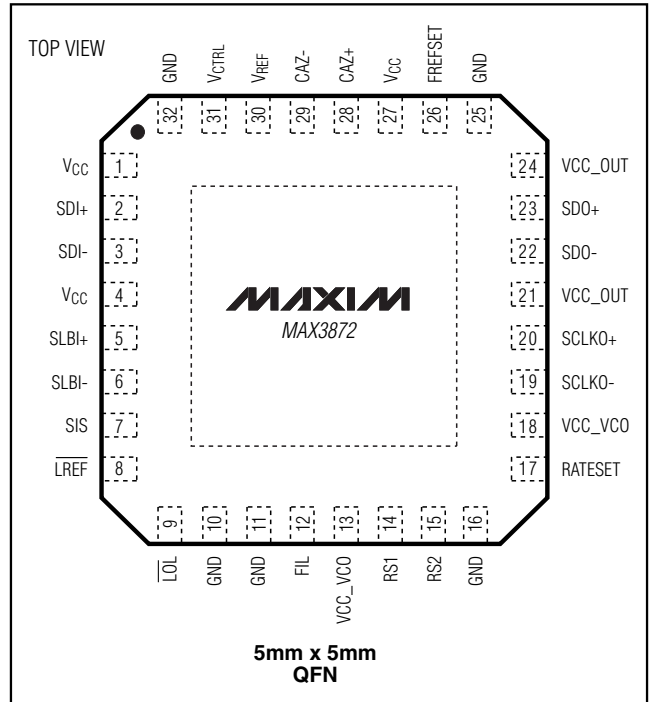
Exposed Pad (EP) Package

The EP 32-pin QFN incorporates features that provide a very-low thermal-resistance path for heat removal from the IC. The pad is electrical ground on the MAX3872 and should be soldered to the circuit board for proper thermal and electrical performance.

Layout Considerations

For best performance, use good high-frequency layout techniques. Filter voltage supplies, keep ground connections short, and use multiple vias where possible. Use controlled-impedance transmission lines to interface with the MAX3872 high-speed inputs and outputs. Power-supply decoupling should be placed as close to VCC as possible. To reduce feedthrough, isolate the input signals from the output signals. If a bare die is used, mount the back of die to ground (GND) potential.

Pin Configuration



Chip Information

TRANSISTOR COUNT: 5142

PROCESS: SiGe BiPOLAR

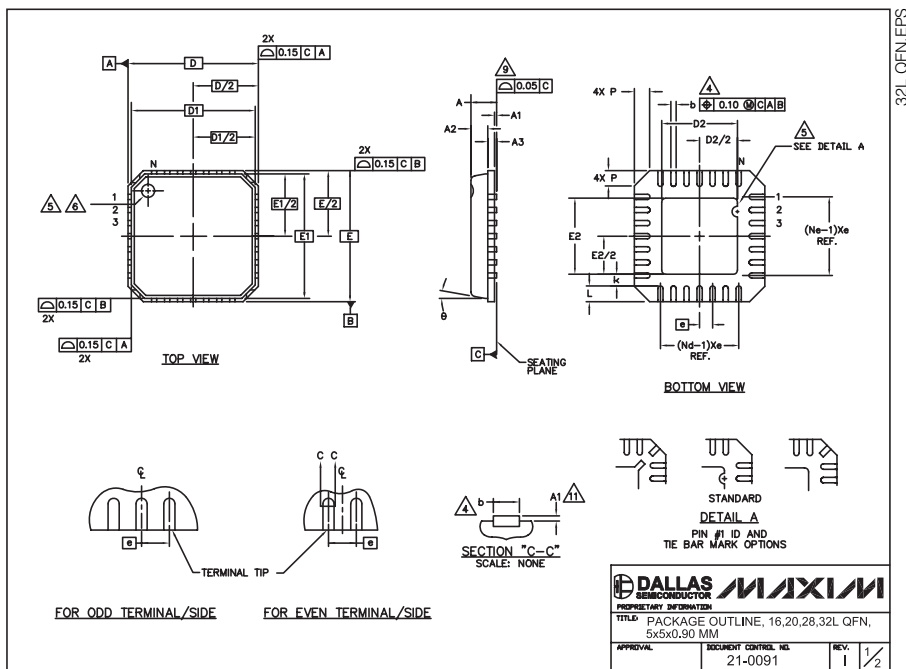
SUBSTRATE: SOI

Multirate Clock and Data Recovery with Limiting Amplifier

Package Information

(The package drawing(s) in this data sheet may not reflect the most current specifications. For the latest package outline information, go to www.maxim-ic.com/packages.)

MAX3872



COMMON DIMENSIONS												
PKG SYMBOL	16L 5x5			20L 5x5			28L 5x5			32L 5x5		
	MIN.	NOM.	MAX.	MIN.	NOM.	MAX.	MIN.	NOM.	MAX.	MIN.	NOM.	MAX.
A	0.80	0.90	1.00	0.80	0.90	1.00	0.80	0.90	1.00	0.80	0.90	1.00
A1	0.00	0.01	0.05	0.00	0.01	0.05	0.00	0.01	0.05	0.00	0.01	0.05
A2	0.00	0.65	1.00	0.00	0.65	1.00	0.00	0.65	1.00	0.00	0.65	1.00
A3	0.20 REF			0.20 REF			0.20 REF			0.20 REF		
b	0.28	0.33	0.40	0.23	0.28	0.35	0.18	0.23	0.30	0.18	0.23	0.30
D	4.90	5.00	5.10	4.90	5.00	5.10	4.90	5.00	5.10	4.90	5.00	5.10
D1	4.75 BSC			4.75 BSC			4.75 BSC			4.75 BSC		
E	4.90	5.00	5.10	4.90	5.00	5.10	4.90	5.00	5.10	4.90	5.00	5.10
E1	4.75 BSC			4.75 BSC			4.75 BSC			4.75 BSC		
e	0.80 BSC			0.65 BSC			0.50 BSC			0.50 BSC		
k	0.25	-	-	0.25	-	-	0.25	-	-	0.25	-	-
L	0.35	0.55	0.75	0.35	0.55	0.75	0.35	0.55	0.75	0.30	0.40	0.50
N	16			20			28			32		
ND	4			5			7			8		
NE	4			5			7			8		
P	0.00	0.42	0.60	0.00	0.42	0.60	0.00	0.42	0.60	0.00	0.42	0.60
θ	0°			12°			0°			12°		

EXPOSED PAD VARIATIONS						
PKG CODES	DE			E2		
	MIN.	NOM.	MAX.	MIN.	NOM.	MAX.
G1655-3	2.95	3.10	3.25	2.95	3.10	3.25
G2055-1	2.55	2.70	2.85	2.55	2.70	2.85
G2055-2	2.95	3.10	3.25	2.95	3.10	3.25
G2855-1	2.55	2.70	2.85	2.55	2.70	2.85
G2855-2	2.95	3.10	3.25	2.95	3.10	3.25
G3255-1	2.95	3.10	3.25	2.95	3.10	3.25

NOTES:

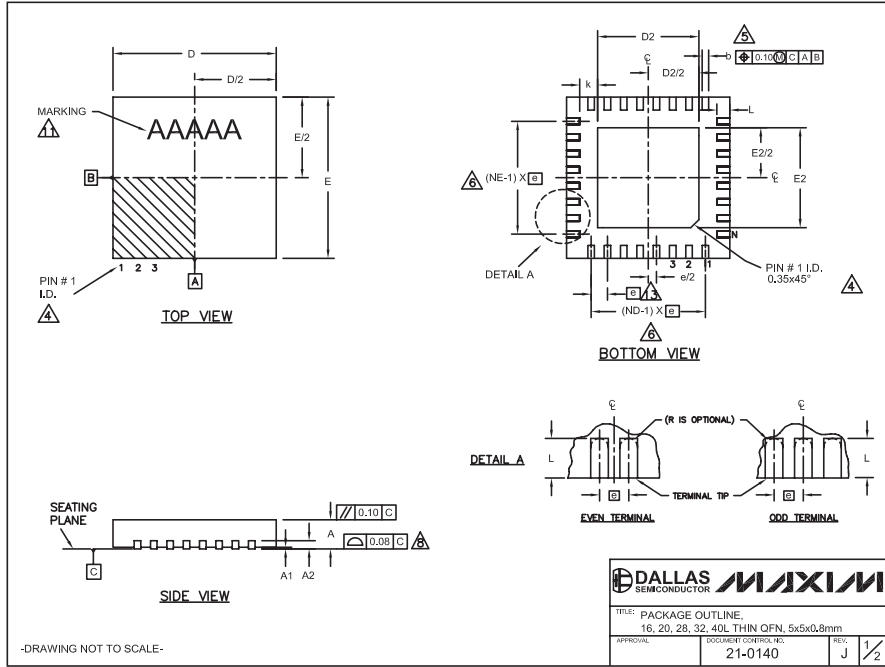
- DIE THICKNESS ALLOWABLE IS 0.305mm MAXIMUM (.012 INCHES MAXIMUM)
- DIMENSIONING & TOLERANCES CONFORM TO ASME Y14.5M. - 1994.
- N IS THE NUMBER OF TERMINALS.
- Nd IS THE NUMBER OF TERMINALS IN X-DIRECTION & Ne IS THE NUMBER OF TERMINALS IN Y-DIRECTION.
- DIMENSION b APPLIES TO PLATED TERMINAL AND IS MEASURED BETWEEN 0.20 AND 0.25mm FROM TERMINAL TIP.
- THE PIN #1 IDENTIFIER MUST BE EXISTED ON THE TOP SURFACE OF THE PACKAGE BY USING INDENTATION MARK OR INK/LASER MARKED. DETAILS OF PIN #1 IDENTIFIER IS OPTIONAL, BUT MUST BE LOCATED WITHIN ZONE INDICATED.
- EXACT SHAPE AND SIZE OF THIS FEATURE IS OPTIONAL.
- ALL DIMENSIONS ARE IN MILLIMETERS.
- PACKAGE WARPAGE MAX 0.05mm.
- APPLIED FOR EXPOSED PAD AND TERMINALS. EXCLUDE EMBEDDED PART OF EXPOSED PAD FROM MEASURING.
- MEETS JEDEC MO220; EXCEPT DIMENSION "b".
- APPLIED FOR EXPOSED PAD AND TERMINALS. EXCLUDE EMBEDDING PART OF EXPOSED PAD FROM MEASURING.
- THIS PACKAGE OUTLINE APPLIES TO ANVIL SINGULATION (STEPPED SIDES).

DALLAS SEMICONDUCTOR **MAXIM**
PROPRIETARY INFORMATION
TITLE: PACKAGE OUTLINE, 16,20,28,32L QFN, 5x5x0,90 MM
APPROVAL: _____ DOCUMENT CONTROL NO. 21-0091 REV. I 1/2

Multirate Clock and Data Recovery with Limiting Amplifier

Package Information (continued)

((The package drawing(s) in this data sheet may not reflect the most current specifications. For the latest package outline information, go to www.maxim-ic.com/packages)



QFN THIN LPS

COMMON DIMENSIONS												
PKG.	16L 5x5		20L 5x5		28L 5x5		32L 5x5		40L 5x5			
SYMBOL	MIN.	NOM.	MAX.	MIN.	NOM.	MAX.	MIN.	NOM.	MAX.	MIN.	NOM.	MAX.
A	0,70	0,75	0,80	0,70	0,75	0,80	0,70	0,75	0,80	0,70	0,75	0,80
A1	0	0,02	0,05	0	0,02	0,05	0	0,02	0,05	0	0,02	0,05
A2	0,20 REF.		0,20 REF.		0,20 REF.		0,20 REF.		0,20 REF.		0,20 REF.	
b	0,25	0,30	0,35	0,25	0,30	0,35	0,20	0,25	0,30	0,20	0,25	0,30
D	4,90	5,00	5,10	4,90	5,00	5,10	4,90	5,00	5,10	4,90	5,00	5,10
E	4,90	5,00	5,10	4,90	5,00	5,10	4,90	5,00	5,10	4,90	5,00	5,10
e	0,80 BSC.		0,65 BSC.		0,50 BSC.		0,50 BSC.		0,40 BSC.			
k	0,25	-	-	0,25	-	-	0,25	-	-	0,25	-	-
L	0,30	0,40	0,50	0,45	0,55	0,65	0,45	0,55	0,65	0,30	0,40	0,50
N	16	20	28	32	40							
ND	4	5	7	8	10							
NE	4	5	7	8	10							
JEDEC	WHHB		WHHC		WHHD-1		WHHD-2		---			

EXPOSED PAD VARIATIONS								
PKG. CODES	D2			E2				
	MIN.	NOM.	MAX.	MIN.	NOM.	MAX.		
T1655-2	3,00	3,10	3,20	3,00	3,10	3,20		
T1655-3	3,00	3,10	3,20	3,00	3,10	3,20		
T1655N-1	3,00	3,10	3,20	3,00	3,10	3,20		
T2055-3	3,00	3,10	3,20	3,00	3,10	3,20		
T2055-4	3,00	3,10	3,20	3,00	3,10	3,20		
T2055-5	3,15	3,25	3,35	3,15	3,25	3,35		
T2855-3	3,15	3,25	3,35	3,15	3,25	3,35		
T2855-4	2,60	2,70	2,80	2,60	2,70	2,80		
T2855-5	2,60	2,70	2,80	2,60	2,70	2,80		
T2855-6	3,15	3,25	3,35	3,15	3,25	3,35		
T2855-7	2,60	2,70	2,80	2,60	2,70	2,80		
T2855-8	3,15	3,25	3,35	3,15	3,25	3,35		
T2855N-1	3,15	3,25	3,35	3,15	3,25	3,35		
T3255-3	3,00	3,10	3,20	3,00	3,10	3,20		
T3255-4	3,00	3,10	3,20	3,00	3,10	3,20		
T3255-5	3,00	3,10	3,20	3,00	3,10	3,20		
T3255N-1	3,00	3,10	3,20	3,00	3,10	3,20		
T4055-1	3,40	3,50	3,60	3,40	3,50	3,60		
T4055-2	3,40	3,50	3,60	3,40	3,50	3,60		

**SEE COMMON DIMENSIONS TABLE

DALLAS SEMICONDUCTOR MAXIM

TITLE: PACKAGE OUTLINE
16, 20, 28, 32, 40L THIN QFN, 5x5x0,8mm

APPROVAL: [] DOCUMENT CONTROL NO. 21-0140 REV. J 1/2

-DRAWING NOT TO SCALE-

- NOTES:
- DIMENSIONING & TOLERANCING CONFORM TO ASME Y14.5M-1994.
 - ALL DIMENSIONS ARE IN MILLIMETERS. ANGLES ARE IN DEGREES.
 - N IS THE TOTAL NUMBER OF TERMINALS.
- △ THE TERMINAL #1 IDENTIFIER AND TERMINAL NUMBERING CONVENTION SHALL CONFORM TO JEDEC 95-1 SPP-012. DETAILS OF TERMINAL #1 IDENTIFIER ARE OPTIONAL, BUT MUST BE LOCATED WITHIN THE ZONE INDICATED. THE TERMINAL #1 IDENTIFIER MAY BE EITHER A MOLD OR MARKED FEATURE.
- △ DIMENSION b APPLIES TO METALLIZED TERMINAL AND IS MEASURED BETWEEN 0,25 mm AND 0,30 mm FROM TERMINAL TIP.
- △ ND AND NE REFER TO THE NUMBER OF TERMINALS ON EACH D AND E SIDE RESPECTIVELY.
7. DEPOPULATION IS POSSIBLE IN A SYMMETRICAL FASHION.
- △ COPLANARITY APPLIES TO THE EXPOSED HEAT SINK SLUG AS WELL AS THE TERMINALS.
9. DRAWING CONFORMS TO JEDEC MO220, EXCEPT EXPOSED PAD DIMENSION FOR T2855-3 AND T2855-6.
- △ WARPAGE SHALL NOT EXCEED 0,10 mm.
11. MARKING IS FOR PACKAGE ORIENTATION REFERENCE ONLY.
12. NUMBER OF LEADS SHOWN ARE FOR REFERENCE ONLY.
- △ LEAD CENTERLINES TO BE AT TRUE POSITION AS DEFINED BY BASIC DIMENSION "e", ±0,05.

Multirate Clock and Data Recovery with Limiting Amplifier

Revision History

- Rev 0; 1/03: Initial data sheet release.
- Rev 1; 5/03: Updated Ordering Information table (page 1).
Updated package drawing (page 13).
- Rev 2; 1/05: Added lead-free package to Ordering Information table (page 1).
- Rev 3; 2/07: Updated Typical Application Circuit figure (page 1).

MAX3872

Maxim cannot assume responsibility for use of any circuitry other than circuitry entirely embodied in a Maxim product. No circuit patent licenses are implied. Maxim reserves the right to change the circuitry and specifications without notice at any time.

Maxim Integrated Products, 120 San Gabriel Drive, Sunnyvale, CA 94086 408-737-7600 _____ 15