



Chipsmall Limited consists of a professional team with an average of over 10 year of expertise in the distribution of electronic components. Based in Hongkong, we have already established firm and mutual-benefit business relationships with customers from,Europe,America and south Asia,supplying obsolete and hard-to-find components to meet their specific needs.

With the principle of "Quality Parts,Customers Priority,Honest Operation,and Considerate Service",our business mainly focus on the distribution of electronic components. Line cards we deal with include Microchip,ALPS,ROHM,Xilinx,Pulse,ON,Everlight and Freescale. Main products comprise IC,Modules,Potentiometer,IC Socket,Relay,Connector.Our parts cover such applications as commercial,industrial, and automotives areas.

We are looking forward to setting up business relationship with you and hope to provide you with the best service and solution. Let us make a better world for our industry!



## Contact us

Tel: +86-755-8981 8866 Fax: +86-755-8427 6832

Email & Skype: info@chipsmall.com Web: www.chipsmall.com

Address: A1208, Overseas Decoration Building, #122 Zhenhua RD., Futian, Shenzhen, China





# MAX4209 Evaluation Kit

## General Description

The MAX4209 evaluation kit (EV kit) simplifies evaluation of the MAX4208 ultra-low offset/drift, fixed gain, precision instrumentation amplifier in a  $\mu$ MAX<sup>®</sup> package. The MAX4209 features high-impedance differential inputs optimized for small voltages ( $\pm 100\text{mV}$  max) and provides rail-to-rail output. The MAX4209 EV kit circuit uses the 100V/V fixed-voltage-gain version of the MAX4209. The EV kit operates from a single-supply voltage between 2.85V and 5.5V, or dual supplies providing  $\pm 1.425\text{V}$  to  $\pm 2.75\text{V}$ .

The MAX4209 EV kit can also evaluate the 10V/V and 1000V/V fixed-gain versions of the MAX4209 amplifiers, as well as the MAX4208 adjustable-gain amplifier. The MAX4209 IC temperature range is  $-40^{\circ}\text{C}$  to  $+125^{\circ}\text{C}$ .

The MAX4208 EV kit, available separately, evaluates the MAX4208 adjustable-gain amplifier with external gain-setting resistors.

**Note:** To evaluate a MAX4208 IC featuring externally adjustable gain, order a MAX4208EVKIT+ or request a free sample of the MAX4208AUA+ IC along with the MAX4209EVKIT+. For the alternate-gain versions of the MAX4209 IC, see the *Part Selection Table* for IC ordering information.

## Features

- ◆ Single- or Dual-Supply Operation
  - 2.85V to 5.5V Single-Supply Operation
  - $\pm 1.425\text{V}$  to  $\pm 2.75\text{V}$  Dual-Supply Operation
- ◆ 100V/V Fixed Voltage Gain
- ◆ Rail-to-Rail Output
- ◆ Configurable Reference Voltage: Externally or Internally Buffered
- ◆ Optional Current-Sense Mode
- ◆ Fully Assembled and Tested

## Ordering Information

PART	TYPE
MAX4209EVKIT+	EV Kit

+Denotes lead-free and RoHS-compliant.

## Component List

DESIGNATION	QTY	DESCRIPTION
C1, C3	2	10 $\mu\text{F}$ $\pm 10\%$ , 10V X5R ceramic capacitors (0805) Murata GRM21BR61A106K KEMET C0805C106K8PAC
C2, C4, C5	3	0.1 $\mu\text{F}$ $\pm 10\%$ , 10V X5R ceramic capacitors (0402) Murata GRM155R61A104K KEMET C0402C104K8RACTU
C6, C7	0	Not installed, capacitors (0603)
C8	1	1000pF $\pm 10\%$ , 16V X5R ceramic capacitor (0402) Murata GRM155R61C102K

DESIGNATION	QTY	DESCRIPTION
JU1	1	4-pin header
JU2, JU3	2	2-pin headers
R1, R2	0	Not installed, resistors (0805)
R3, R4	2	4.99k $\Omega$ $\pm 1\%$ resistors (0603)
R5, R6	0	Not installed, resistors (0603)
R7	0	Not installed, resistor (1206)
U1	1	MAX4209HAUA+ (8-pin $\mu$ MAX)
—	3	Shunts
—	1	PCB: MAX4209 Evaluation Kit+

## Part Selection Table

PART	GAIN (V/V)
MAX4208AUA+	Adjustable
MAX4209TAUA+	10
MAX4209HAUA+	100
MAX4209KAUA+	1000

$\mu$ MAX is a registered trademark of Maxim Integrated Products, Inc.



# MAX4209 Evaluation Kit

## Component Suppliers

SUPPLIER	PHONE	WEBSITE
IRC	361-992-7900	www.ircct.com
KEMET Corp.	864-963-6300	www.kemet.com
Murata Mfg. Co., Ltd.	770-436-1300	www.murata.com

**Note:** Indicate that you are using the MAX4208 or MAX4209 when contacting these component suppliers.

## Quick Start

### Recommended Equipment

- 5V, 1A-rated DC power supply
- Function generator
- Oscilloscope

### Procedure

The MAX4209 EV kit is fully assembled and tested. Follow the steps below to verify board operation. **Caution: Do not turn on the power supply until all connections are completed.**

- 1) Verify that a shunt is installed across pins 1-4 of jumper JU1 (on-board buffered-reference mode).
- 2) Verify that a shunt is installed on jumper JU2 (single-supply operation).
- 3) Verify that a jumper is not installed on jumper JU3 (buffered-reference mode).
- 4) Set the DC power-supply output to 5V and disable the output.
- 5) Set the function generator output to a 10mV<sub>P-P</sub>, 200Hz, 0V DC offset sine wave. Terminate the function generator as needed.
- 6) Connect the power-supply positive output to the VDD PCB pad on the EV kit.
- 7) Connect the power-supply ground to the GND PCB pad next to VDD on the EV kit.
- 8) Connect the function generator output across the differential input PCB pads, IN+ and IN-.
- 9) Connect the IN- PCB pad to the GND PCB pad with a wire.
- 10) Connect the oscilloscope to the OUT PCB pad and the oscilloscope ground clip to the GND PCB pad.
- 11) Enable the DC power supply and the function generator.
- 12) Verify that the oscilloscope measures a 1V<sub>P-P</sub>, 200Hz, 2.5V DC offset sine wave.

## Detailed Description

The MAX4209 EV kit evaluates the MAX4209 instrumentation amplifier that features internally fixed gain, low offset voltage, and low offset voltage drift. The output-voltage range is from VSS + 100mV, to VDD - 100mV. The MAX4209 EV kit voltage gain is fixed at 100V/V. The EV kit operates from a single-supply voltage between 2.85V and 5.5V or from a dual-supply voltage providing ±1.425V to ±2.75V.

The MAX4209 EV kit can evaluate the 10V/V or 1000V/V versions of the MAX4209 ICs and the adjustable-gain MAX4208 IC in the 8-pin  $\mu$ MAX package by replacing the MAX4209 IC (U1). Install gain-setting resistors R1 and R2 for MAX4208 evaluation.

### Power Supply

The MAX4209 EV kit jumper JU2 must be configured properly for single-supply or dual-supply operation. For single-supply operation, a single power supply is connected to VDD and GND. For dual-supply operation, connect a positive supply to VDD, a negative supply to VSS, and supply ground to GND. See Table 1 to configure jumper JU2.

**Table 1. Power-Supply Configuration (Jumper JU2)**

SHUNT POSITION	VSS PIN	EV KIT FUNCTION
Installed	Connected to GND	Single-supply operation. Power only VDD.
Not installed	Not connected	Dual-supply operation. Power VDD and VSS.

# MAX4209 Evaluation Kit

Evaluates: MAX4208/MAX4209

## REFIN/MODE Operation Modes

The EV kit jumper JU1 configures the MAX4209 for direct reference, buffered reference, or shutdown mode. The reference voltage at REF sets the output voltage DC signal, OUT, when the differential input signal  $V_{IN+} - V_{IN-}$  equals zero. In direct-reference-mode operation, connect a user reference voltage directly to the REF PCB pad. In buffered-reference-mode operation, connect a user reference voltage to the REFIN/MODE input PCB pad or use the resistor-divider network R3 and R4 to provide a reference voltage for REFIN/MODE, scaled from VDD. The network is configured to scale the voltage at REFIN/MODE to one-half of VDD. Replace resistors R3 and R4 to modify the voltage applied to REFIN/MODE using the following equation:

$$V_{REFIN/MODE} = VDD \times \left( \frac{R4}{R3 + R4} \right)$$

where VDD is the input supply voltage to the EV kit.

In buffered-reference mode, the MAX4209 internally buffers the REFIN/MODE voltage onto REF.

**Note:** Do not connect an external source to the REF PCB pad in buffered-reference mode. See Table 2 for jumper JU1 configurations.

## REF Input

The EV kit's jumper JU3 must be configured properly for appropriate reference-voltage operation. In direct reference mode, install a shunt on jumper JU3 to connect REF to the on-board ground (GND), or remove the shunt to connect a user reference voltage to the REF input PCB pad. For either buffered-reference mode, REF must not be connected to a reference voltage; thus, the shunt on jumper JU3 must not be installed. See Table 2 for jumper JU3 configurations.

Optional capacitor C6 can be used for reference-voltage stability/filtering. Choose an appropriate value as needed.

## On-Board Current Sensing

The MAX4209 EV kit can be configured for on-board current sensing by installing a surface-mount 1206 sense resistor at R7, located between the IN+ and IN- PCB pads. Use the following equation to select the value for resistor R7:

$$R7 = \frac{30mV}{I_{IN}}$$

where  $I_{IN}$  is the maximum current flowing across resistor R7 and 30mV is a suggested sense voltage. 30mV x 100V/V gives a 3V output swing. Refer to the

**Table 2. Jumpers JU1 and JU3 Configurations**

MODE	JU1 SHUNT POSITION	REFIN/MODE PIN	JU3 SHUNT POSITION	REF PIN	EV KIT FUNCTION
Direct-reference-mode operation	1-2	Connected to VSS	Installed	Connected to GND	JU1 disables the internal REF buffer. JU3 sets the REF voltage to GND.
			Not installed	Connected to user reference voltage	JU1 disables the internal REF buffer. JU3 allows the user to set the REF voltage directly. Apply a user reference voltage to the REF PCB pad in the 0V and VDD - 1.6V range.
Shutdown mode	1-3	Connected to VDD	—	—	Entire IC is in shutdown. $I_{CC} < 5\mu A$ .
Buffered-reference-mode operation (on-board reference)	1-4	Connected to VDD / 2	Not installed	Not connected	The IC buffers the on-board VDD / 2 onto REF. Do not install JU3 or connect an external source to the REF PCB pad.
Buffered-reference-mode operation (user reference)	Not installed	Connected to user reference voltage	Not installed	Not connected	The IC buffers a user reference voltage onto REF. Apply a user reference voltage to the REFIN/MODE PCB pad in the range of VSS + 200mV and VDD - 1.6V. Do not install JU3 or connect an external source to the REF PCB pad.

# MAX4209 Evaluation Kit

MAX4208/MAX4209 IC data sheet for application details. Verify that the selected resistor is rated for the appropriate current and power levels.

For high-power applications, use the IN+ and IN- PCB pads as sense connections to an off-board current-sense resistor.

### Differential Input Filter

The MAX4209 EV kit features an optional balanced-differential resistor-capacitor filter across the MAX4209 IN+ and IN- input pins. Use the surface-mount 0603 PCB pads for installing resistors R5, R6, and capacitor C7, which form the filter. Before installing resistors R5 and R6, cut open the shorting PCB trace located at the respective pads.

### Evaluating the MAX4208 and an Alternate MAX4209

The MAX4209 EV kit can evaluate the adjustable-gain MAX4208 and alternate-voltage-gain versions of the MAX4209 in the 8-pin  $\mu$ MAX package by replacing the IC (U1). Install gain-setting resistors R1 and R2 for MAX4208 evaluation. The MAX4209 features alternate-fixed gains of 10V/V or 1000V/V. See the *Part Selection Table* for IC ordering information.

The MAX4208 EV kit is also available separately.

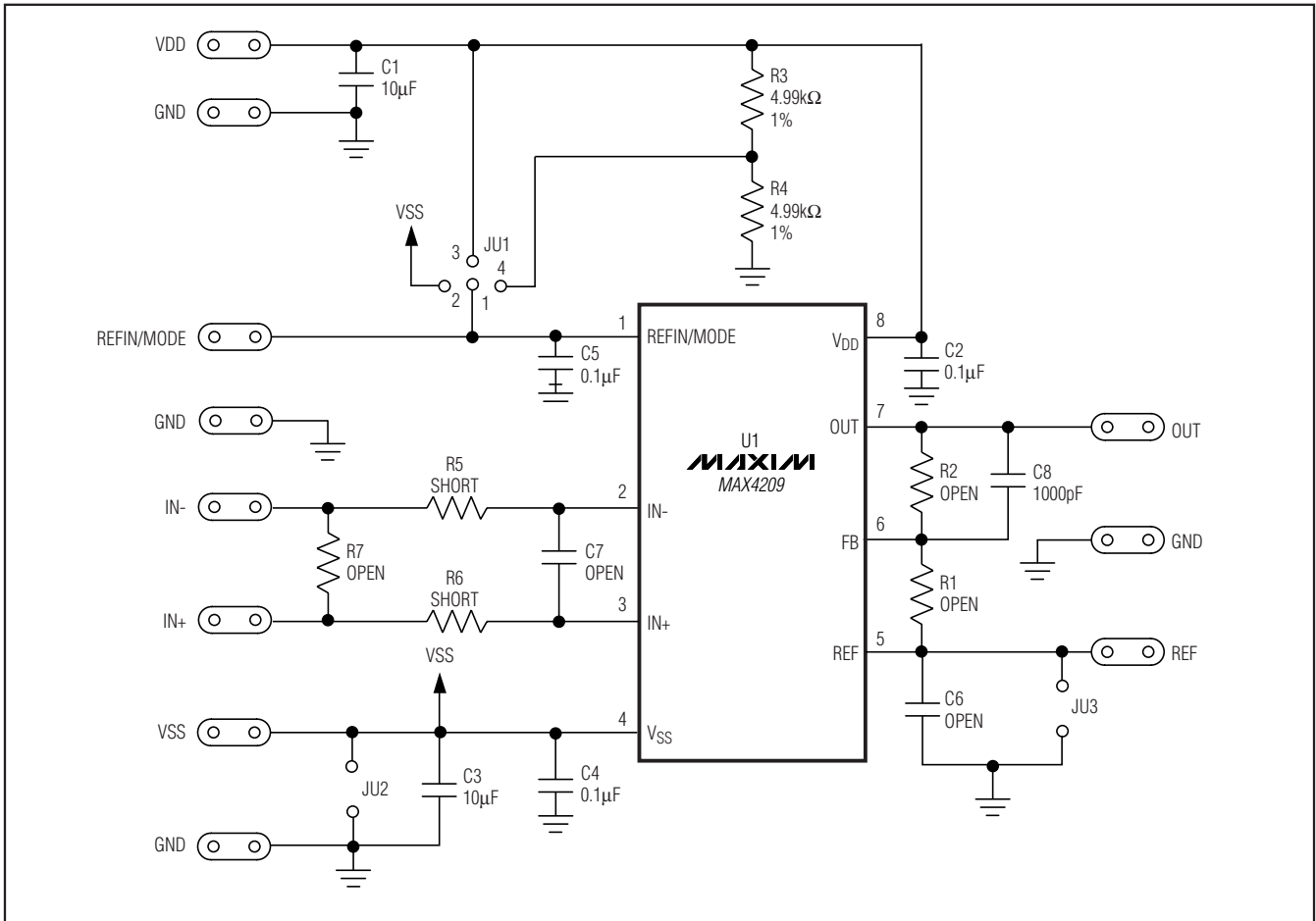


Figure 1. MAX4209 EV Kit Schematic

# MAX4209 Evaluation Kit

Evaluates: MAX4208/MAX4209

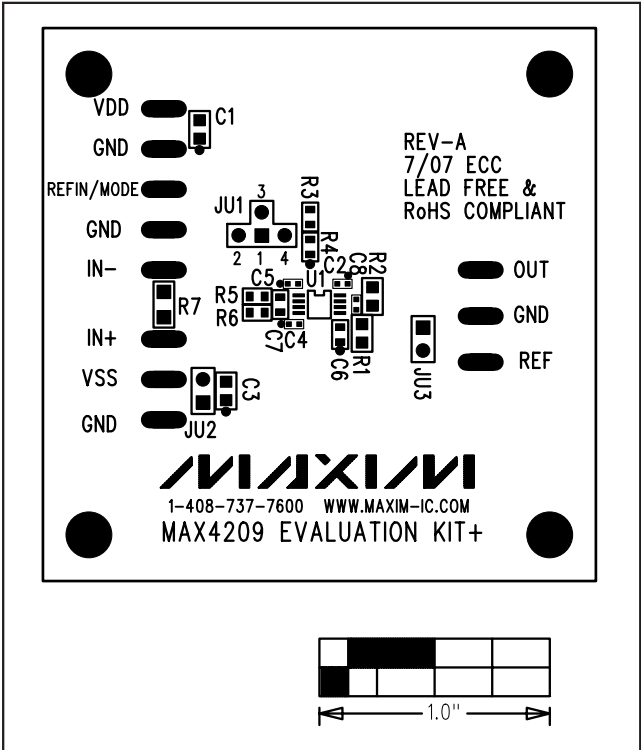


Figure 2. MAX4209 EV Kit Component Placement Guide—(Component Side)

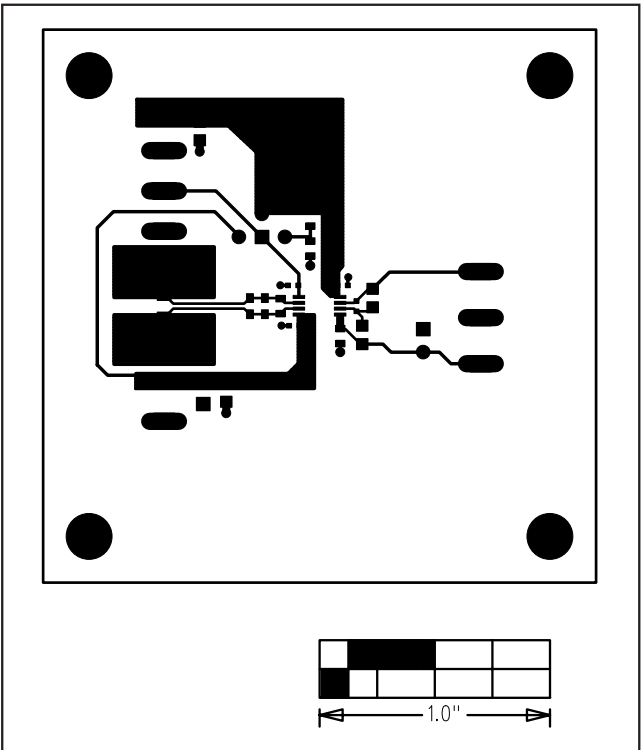


Figure 3. MAX4209 EV Kit PCB Layout—Component Side

# MAX4209 Evaluation Kit

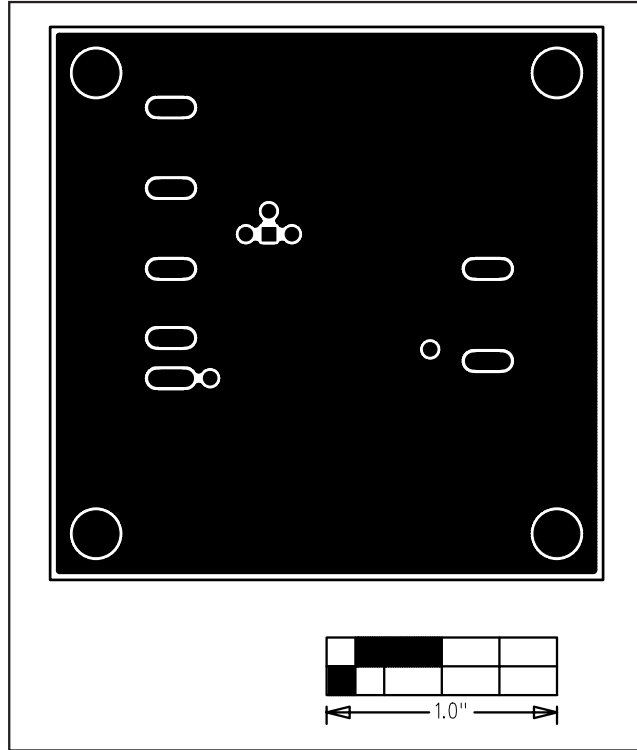


Figure 4. MAX4209 EV Kit PCB Layout—Solder Side

Maxim cannot assume responsibility for use of any circuitry other than circuitry entirely embodied in a Maxim product. No circuit patent licenses are implied. Maxim reserves the right to change the circuitry and specifications without notice at any time.

6 \_\_\_\_\_ **Maxim Integrated Products, 120 San Gabriel Drive, Sunnyvale, CA 94086 408-737-7600**