



Chipsmall Limited consists of a professional team with an average of over 10 year of expertise in the distribution of electronic components. Based in Hongkong, we have already established firm and mutual-benefit business relationships with customers from,Europe,America and south Asia,supplying obsolete and hard-to-find components to meet their specific needs.

With the principle of “Quality Parts,Customers Priority,Honest Operation,and Considerate Service”,our business mainly focus on the distribution of electronic components. Line cards we deal with include Microchip,ALPS,ROHM,Xilinx,Pulse,ON,Everlight and Freescale. Main products comprise IC,Modules,Potentiometer,IC Socket,Relay,Connector.Our parts cover such applications as commercial,industrial, and automotives areas.

We are looking forward to setting up business relationship with you and hope to provide you with the best service and solution. Let us make a better world for our industry!



Contact us

Tel: +86-755-8981 8866 Fax: +86-755-8427 6832

Email & Skype: info@chipsmall.com Web: www.chipsmall.com

Address: A1208, Overseas Decoration Building, #122 Zhenhua RD., Futian, Shenzhen, China



MAXIM

MAX4338 Evaluation Kit

General Description

The MAX4338 evaluation kit (EV kit) is a fully assembled and tested surface-mount circuit board that evaluates the MAX4338 audio amplifier. The MAX4338 EV kit is designed to be driven by the lineout of a CD player or directly connected to any stereo audio source. The MAX4338 EV kit includes RCA jacks on the input and a 3.5mm headphone jack on the output to facilitate easy connections to the circuit board.

This MAX4338 EV kit can also be used to evaluate the MAX4233 high-output-drive, Rail-to-Rail® op amp.

Features

- ◆ Capable of Driving a Stereo 32Ω Load
($P_{OUT} = 60mW$, $V_{CC} = 5V$, $THD + N = 1\%$,
 $R_L = 32\Omega$, $f_{IN} = 1kHz$)
($P_{OUT} = 20mW$, $V_{CC} = 3V$, $THD + N = 1\%$,
 $R_L = 32\Omega$, $f_{IN} = 1kHz$)
- ◆ Single-Supply Operation
- ◆ Low 0.1% THD + N (20Hz to 20kHz)
($V_{CC} = 5V$, $P_{OUT} = 40mW$, $R_L = 32\Omega$)
($V_{CC} = 3V$, $P_{OUT} = 17mW$, $R_L = 32\Omega$)
- ◆ Low-Profile Design (2.0mm, max)
- ◆ Fully Assembled and Tested Surface-Mount Board
- ◆ On-Board Shutdowns

Ordering Information

PART	TEMP RANGE	IC PACKAGE
MAX4338EVKIT	0°C to +70°C	10 μMAX

Note: To evaluate the MAX4233, request a MAX4233AUB free sample with the MAX4338EVKIT.

Component List

DESIGNATION	QTY	DESCRIPTION
C1, C3	2	100pF ±10%, 10V ceramic capacitors (0402) TDK C1005C0G1H101K
C2, C4	2	Through-hole capacitors (not installed)
C5, C6	2	0.47μF ±10%, 20V tantalum capacitors (R-case) AVX TAJR474M020R
C7	1	1μF ±10%, 10V X5R ceramic capacitor (0603) TDK C1608X5R1A104K
C8	1	0.1μF ±10%, 10V X5R ceramic capacitor (0402) TDK C1005X5R1A104K
C9, C10, C11	3	220μF ±10%, 10V tantalum capacitors (Y-case) AVX TPSY227M010R0200 or Sprague 592D227X0010V2T

DESIGNATION	QTY	DESCRIPTION
J1	1	Phono jack (side-entry PC board mount) red
J2	1	Phono jack (side-entry PC board mount) white
J3	1	Stereo headphone jack (3.5mm dia.)
JU1–JU5	5	2-pin headers
R1, R2	2	22.1kΩ ±1% resistors (0603)
R3, R4,	6	100kΩ ±5% resistors (0603)
R5, R6	2	47.5kΩ ±1% resistors (0603)
R7, R8	2	Through-hole resistors (not installed)
U1	1	MAX4338EUB (10-pin μMAX)
None	5	Shunts
None	1	MAX4338 EV kit PC board
None	1	MAX4335–MAX4338 data sheet

Rail-to-Rail is a registered trademark of Nippon Motorola, Ltd.



MAX4338 Evaluation Kit

Component Suppliers

SUPPLIER	PHONE	FAX	WEBSITE
AVX	843-946-0238	843-626-3123	www.avxcorp.com
Sprague	402-563-6866	402-563-6296	www.vishay.com
TDK	847-803-6100	847-390-4405	www.component.tdk.com

Note: Please indicate that you are using the MAX4338 when contacting these component suppliers.

Quick Start

Required Equipment:

- One pair of 32Ω headphones
- One variable DC power supply capable of supplying between 2.7V and 5V at 200mA
- One stereo audio source

The MAX4338 EV kit is fully assembled and tested. Follow the steps below to verify board operation. **Do not turn on the power supply until all connections are completed:**

- 1) Plug the headphones into the 3.5mm headphone jack.
- 2) Ensure that the audio source is turned off.
- 3) Connect the disabled audio source through the RCA phono jacks.
- 4) Ensure that the shunts JU1–JU5 are not installed.
- 5) Connect the 2.7V to 5V DC power supply to the VCC and GND pads.
- 6) Turn on the 2.7V to 5V DC power supply.
- 7) Turn on the audio source.

Detailed Description

The MAX4338 EV kit is a stereo, single-supply audio amplifier. The MAX4338 EV kit is designed to be driven by the stereo lineout of a CD player or directly connected to any stereo audio source. The input impedance is 22.1kΩ. The -3dB corner frequencies are approximately 30Hz and 34kHz with a 32Ω load. The MAX4338 EV kit has a gain of approximately 2.1. An input signal of 700mVRMS, while using a 5V supply, produces a full-range output with a 32Ω load. An input signal of 400mVRMS, while using a 3V supply, produces a full-range output with a 32Ω load.

Shutdown Control

The MAX4338 EV kit provides two SHDN pins to disable the left and right outputs independently. Jumpers JU1 and JU2 control the left and right channels. Jumper JU3 connects both the left channel and right channel SHDN pins together so that both channels can be shut down simultaneously. Table 1 lists the options available for shutdown control. An external controller can be used by removing the shunts on JU1, JU2, JU3 and connecting the external controller to the pads labeled SHDN1 and SHDN2. SHDN1 and SHDN2 are TTL/CMOS logic-level inputs.

MAX4338 Evaluation Kit

Evaluates: MAX4338/MAX4233

Table 1. Shutdown Selection

JUMPER			DESCRIPTION
JU1	JU2	JU3	
Not Installed	Not Installed	Don't Care	Left and right channels enabled
Installed	Not Installed	Not Installed	Right channel disabled
Not Installed	Installed	Not Installed	Left channel disabled
Installed	Installed	Don't Care	Left and right channels disabled
Installed	Not Installed	Installed	
Not Installed	Installed		

Shutdown Current Measurements

The MAX4338 EV kit has active-low shutdowns and uses pullup resistors (R9 and R10) to activate these shutdowns. Any shutdown current measurements should take into account the current being drawn through R9 and R10, as well as the current drawn through the bias resistors R3 and R4. This current can be calculated using the following equations (assumes both shutdowns are active):

$$I_{\text{SUPPLY}} = I_{\text{RES}} + I_{\text{MAX4338}}$$

$$I_{\text{RES}} = \frac{V_{\text{CC}}}{R_9} + \frac{V_{\text{CC}}}{R_{10}} + \frac{V_{\text{CC}}}{R_3 + R_4}$$

The maximum shutdown current of the MAX4338 is 0.5µA.

Table 2. DC-Blocking Capacitor Jumpers

JUMPER	SHUNT POSITION	FUNCTION
JU4	Installed	C9 removed from circuit
	Not Installed	C9 remains in circuit
JU5	Installed	C10 removed from circuit
	Not Installed	C10 remains in circuit

Output Capacitor Jumper Selection

Jumpers JU4 and JU5 removes the output DC-blocking capacitors (C9 and C10) from the circuit. This allows the user to drive a pure resistive load if desired. Inserting JU4 or JU5 produces an output on the corresponding channel with a DC component equal to midrail ($V_{\text{CC}}/2$) and changes the -3dB highpass corner frequency of 30Hz (see Table 2 for shunt positions).

Through-Hole Components

The MAX4338 EV kit also provides pads for the user to solder up to two through-hole components per channel onto the PC board (R7, C2 and R8, C4). This allows the user access to test the op amps capacitive- and resistive-load driving capabilities, without having to access the output of the op amp through the headphone jack.

MAX4338 Evaluation Kit

Evaluates: MAX4338/MAX4233

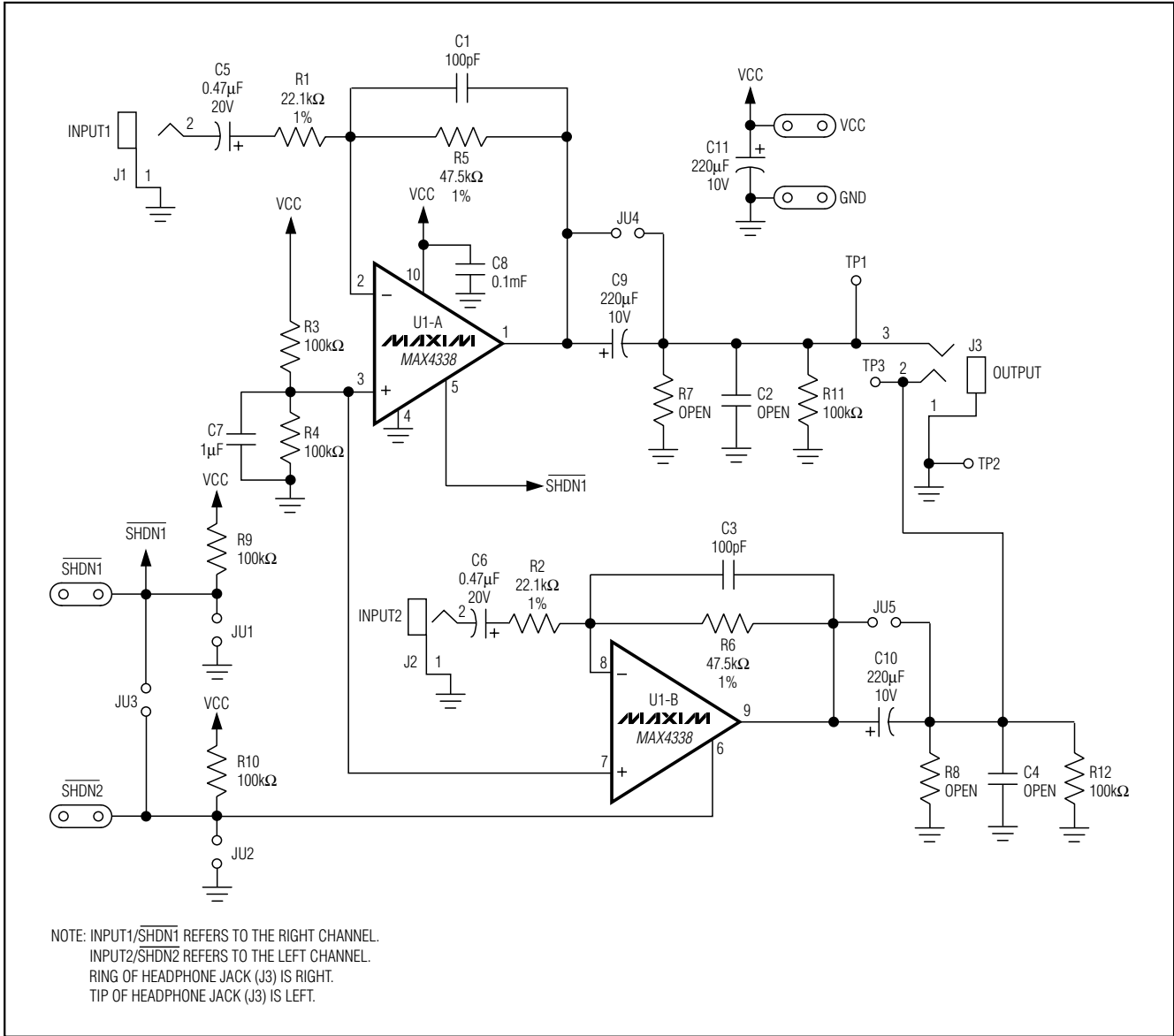


Figure 1. MAX4338 EV Kit Schematic

MAX4338 Evaluation Kit

Evaluates: MAX4338/MAX4233

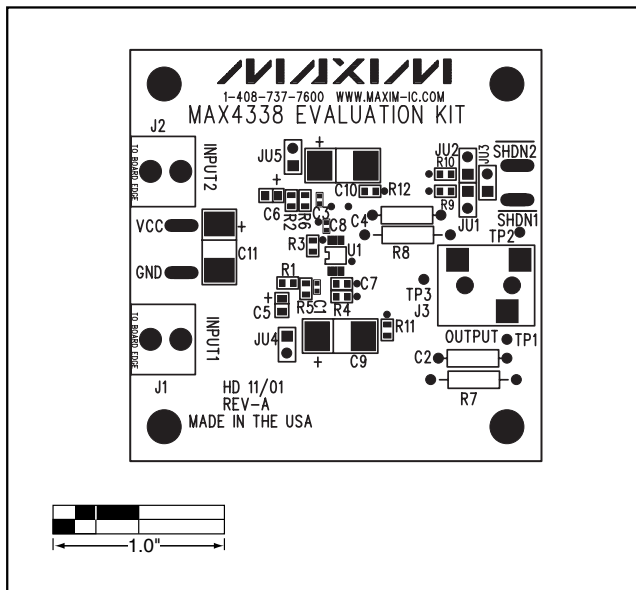


Figure 2. MAX4338 EV Kit Component Placement Guide—Component Side

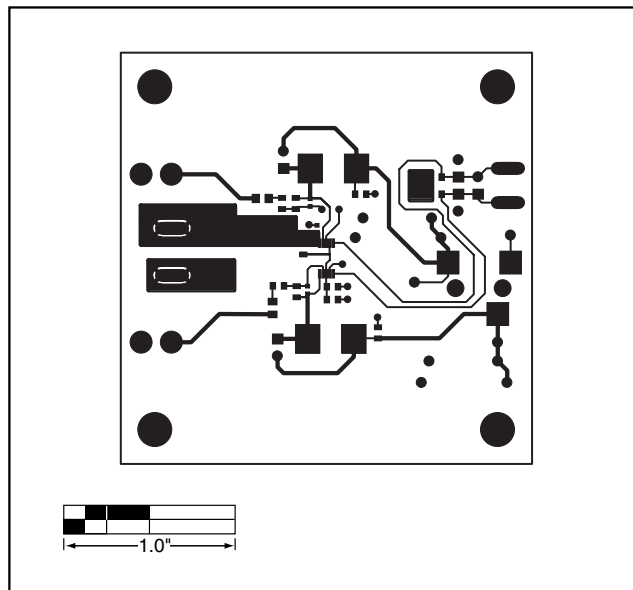


Figure 3. MAX4338 EV Kit PC Board Layout—Component Side

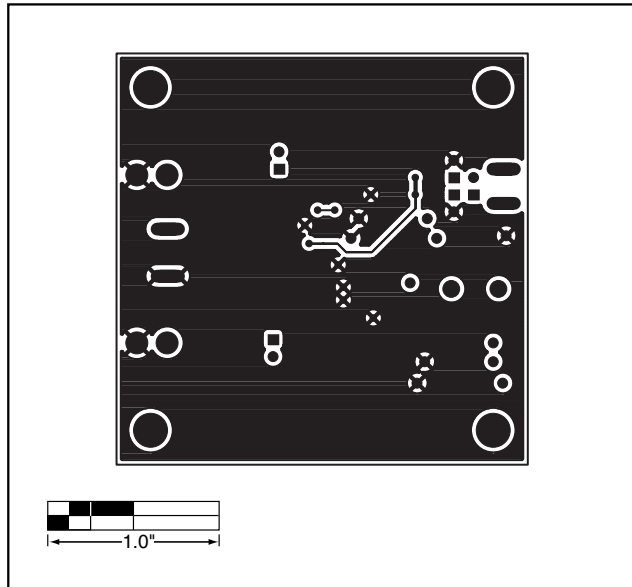


Figure 4. MAX4338 EV Kit PC Board Layout—Solder Side

Maxim cannot assume responsibility for use of any circuitry other than circuitry entirely embodied in a Maxim product. No circuit patent licenses are implied. Maxim reserves the right to change the circuitry and specifications without notice at any time.

Maxim Integrated Products, 120 San Gabriel Drive, Sunnyvale, CA 94086 408-737-7600 _____ 5