



Chipsmall Limited consists of a professional team with an average of over 10 year of expertise in the distribution of electronic components. Based in Hongkong, we have already established firm and mutual-benefit business relationships with customers from,Europe,America and south Asia,supplying obsolete and hard-to-find components to meet their specific needs.

With the principle of “Quality Parts,Customers Priority,Honest Operation,and Considerate Service”,our business mainly focus on the distribution of electronic components. Line cards we deal with include Microchip,ALPS,ROHM,Xilinx,Pulse,ON,Everlight and Freescale. Main products comprise IC,Modules,Potentiometer,IC Socket,Relay,Connector.Our parts cover such applications as commercial,industrial, and automotives areas.

We are looking forward to setting up business relationship with you and hope to provide you with the best service and solution. Let us make a better world for our industry!



Contact us

Tel: +86-755-8981 8866 Fax: +86-755-8427 6832

Email & Skype: info@chipsmall.com Web: www.chipsmall.com

Address: A1208, Overseas Decoration Building, #122 Zhenhua RD., Futian, Shenzhen, China



High-Bandwidth, T1/E1, SPST Analog Switches

General Description

The MAX4815/MAX4816/MAX4817 high-bandwidth, low-on-resistance, quad-SPST analog switches are designed to serve as integrated T1/E1 protection switches for 1+1 and N+1 line-card redundancy applications. Each MAX4815/MAX4816/MAX4817 replaces four electromechanical relays, significantly reducing board space, simplifying PC board routing, and reducing power consumption. These devices operate with $\pm 3.3\text{V}$ or $\pm 5\text{V}$ dual supplies for applications requiring T1/E1 signal switching in the line side of the interface transformer. Internal voltage multipliers drive the analog switches, yielding excellent linearity and low 3.7Ω typical on-resistance within the T1/E1 analog signal range. This high-bandwidth (550MHz typical) family of products is optimized for low return loss and matched pulse template performance in T1/E1 long-haul and short-haul applications.

The MAX4815/MAX4816/MAX4817 are available in a tiny 16-pin, 5mm x 5mm, thin QFN package and are specified over the extended -40°C to $+85^\circ\text{C}$ temperature range.

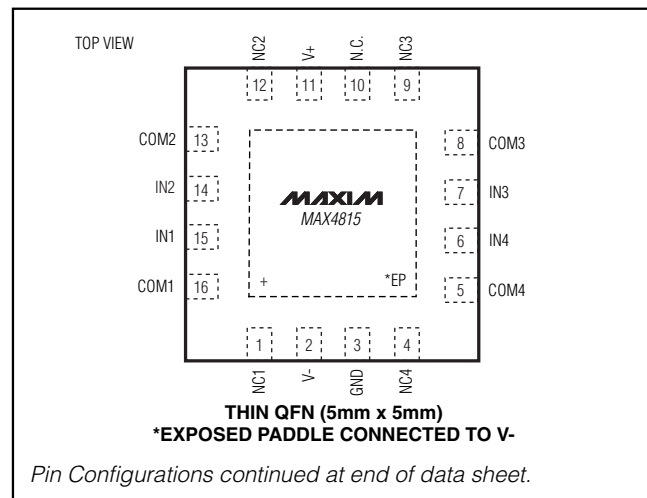
Applications

T1/E1 Redundancy Switching
 Base Stations and Base-Station Controllers
 Add and Drop Multiplexers
 Multiservice Provisioning Platforms
 Edge Routers
 Multiservice Switches (MSSs)
 Digital Loop Carriers
 Industrial Applications
 Data Acquisition
 Telecom Signal Switching
 Test Equipment
 Avionics

Features

- ◆ Quad-SPST NO, NC, and NC/NO Configurations
- ◆ Dual-Supply Operation from $\pm 3.3\text{V}$ to $\pm 5\text{V}$
- ◆ Single-Supply Operation from $+6\text{V}$ to $+11\text{V}$
- ◆ Hot Insertion Tolerant with No DC Path to the Supplies
- ◆ Low On-Resistance, $R_{ON} = 3.7\Omega$ (typ) and 6Ω (max)
- ◆ Over 550MHz, -3dB Signal Bandwidth
- ◆ Excellent Crosstalk and Off-Isolation Performance Over the T1/E1 Signal Spectrum: 110dB Crosstalk Attenuation at 1MHz
- ◆ Low Current Consumption of 2mA (max)
- ◆ -40°C to $+85^\circ\text{C}$ Extended Temperature Range
- ◆ Space-Saving, 16-Pin, 5mm x 5mm Thin QFN

Pin Configurations



Ordering Information

PART	TEMP RANGE	PIN-PACKAGE	CONFIGURATION	PKG CODE
MAX4815ETE+	-40°C to $+85^\circ\text{C}$	16 TQFN-EP*	4 x SPST NC	T1655-3
MAX4816ETE+	-40°C to $+85^\circ\text{C}$	16 TQFN-EP*	4 x SPST NO	T1655-3
MAX4817ETE+	-40°C to $+85^\circ\text{C}$	16 TQFN-EP*	4 x SPST NC/NO	T1655-3

*EP = Exposed paddle.

Devices are available in lead-free packaging.

High-Bandwidth, T1/E1, SPST Analog Switches

ABSOLUTE MAXIMUM RATINGS

(All voltages referenced to GND unless otherwise noted.)

V+-0.3V to +6V
V--6V to +0.3V
V+ to V--0.3V to +12V
IN-0.3V to (V+ + 0.3V)
NO ₋ , NC ₋ , COM ₋-12V to +12V
NO ₋ to COM ₋ , NC ₋ to COM ₋-18V to +18V
Continuous Current (NO ₋ , NC ₋ , COM ₋) ±100mA
Continuous Current (any other terminal) ±30mA

Peak Current (NO ₋ , NC ₋ , COM ₋)	(pulsed at 1ms, 10% duty cycle)..... ±300mA
Continuous Power Dissipation (T _A = +70°C)	16-Pin Thin QFN 5mm x 5mm (derate 33.3mW/°C above +70°C)2667mW
Operating Temperature Range-40°C to +85°C
Storage Temperature Range-65°C to +150°C
Junction Temperature+150°C
Lead Temperature (soldering, 10s) +300°C

Stresses beyond those listed under "Absolute Maximum Ratings" may cause permanent damage to the device. These are stress ratings only, and functional operation of the device at these or any other conditions beyond those indicated in the operational sections of the specifications is not implied. Exposure to absolute maximum rating conditions for extended periods may affect device reliability.

ELECTRICAL CHARACTERISTICS—Dual ±3.3V Supplies

(V+ = +3.3V ±10%, V- = -3.3V ±10%, T_A = T_{MIN} to T_{MAX}, unless otherwise noted. Typical values are at T_A = +25°C.) (Note 1)

PARAMETER	SYMBOL	CONDITIONS	MIN	TYP	MAX	UNITS
ANALOG SWITCH						
Fault-Free Analog Signal Range	V _{COM-} V _{NO-} V _{NC-}		V-		V+	V
On-Resistance (Note 2)	R _{ON}	V+ = +3V, V- = -3V, I _{COM-} = 30mA, V _{NO-} or V _{NC-} = +3V	T _A = +25°C	3.7	5	Ω
			T _A = T _{MIN} to T _{MAX}		6	
On-Resistance Match Between Channels (Notes 2, 3)	ΔR _{ON}	V+ = +3V, V- = -3V, I _{COM-} = 30mA, V _{NO-} or V _{NC-} = +3V	T _A = +25°C	0.1	0.6	Ω
			T _A = T _{MIN} to T _{MAX}		0.8	
On-Resistance Flatness (Notes 2, 4)	R _{FLAT(ON)}	V+ = +3V, V- = -3V, I _{COM-} = 30mA; V _{NO-} or V _{NC-} = -3V, 0V, +3V	T _A = +25°C	0.4	1.2	Ω
			T _A = T _{MIN} to T _{MAX}		1.5	
NO or NC Off-Leakage Current	I _{NO-(OFF)} I _{NC-(OFF)}	V+ = +3.6V, V- = -3.6V; V _{COM-} = -3V, +3V; V _{NO-} or V _{NC-} = +3V, -3V		-10	+10	nA
COM Off-Leakage Current	I _{COM-(OFF)}	V+ = +3.6V, V- = -3.6V; V _{COM-} = -3V, +3V; V _{NO-} or V _{NC-} = +3V, -3V		-10	+10	nA
COM On-Leakage Current	I _{COM-(ON)}	V+ = +3.6V, V- = -3.6V; V _{COM-} = -3V, +3V; NO ₋ or NC ₋ unconnected		-15	+15	nA
FAULT						
Fault Analog Signal Range	V _{COM-}	V+ = +3.3V, V- = -3.3V		-11	+11	V

High-Bandwidth, T1/E1, SPST Analog Switches

MAX4815/MAX4816/MAX4817

ELECTRICAL CHARACTERISTICS—Dual ±3.3V Supplies (continued)

(V+ = +3.3V ±10%, V- = -3.3V ±10%, TA = TMIN to TMAX, unless otherwise noted. Typical values are at TA = +25°C.) (Note 1)

PARAMETER	SYMBOL	CONDITIONS	MIN	TYP	MAX	UNITS
NO or NC Off-Leakage Current	INO_ INC_	V+ = +3.3V, V- = -3.3V; VNO_ or VNC_ = +11V, -11V; VCOM_ = -5.5V, +5.5V	-1		+1	μA
COM Off-Leakage Current	ICOM_	V+ = +3.3V, V- = -3.3V; VCOM_ = +11V, -11V; VNO_ or VNC_ = -5.5V, +5.5V	-1		+1	μA
SWITCH DYNAMIC CHARACTERISTICS						
Crosstalk (Note 5)	VCT1	RL = 50Ω, f = 1.024MHz, Figure 4		110		dB
	VCT2	RL = 50Ω, f = 30MHz, Figure 4		77		
Off-Isolation (Note 6)	VISO1	VCOM_ to VNO_ or VNC_, RL = 50Ω, f = 1.024MHz, Figure 4		60		dB
	VISO2	VCOM_ to VNO_ or VNC_, RL = 50Ω, f = 30MHz, Figure 4		30		
On-Channel -3dB Bandwidth	BW	RS = RL = 50Ω, Figure 4		550		MHz
COM On-Capacitance	CON(COM_)	f = 1MHz, Figure 5		10		pF
COM Off-Capacitance	COFF(COM_)	f = 1MHz, Figure 5		7		pF
NC/NO Off-Capacitance	COFF	f = 1MHz, Figure 5		7		pF
Charge Injection	Q	CL = 1.0nF, VGEN = 0, RGEN = 0, Figure 3		55		pC
Fault Recovery Time	tREC	VNO_, VNC_, VCOM_ = -11V		128		μs
Turn-On Time	tON	VNO_ or VNC_ = +3V, RL = 300Ω, CL = 35pF, Figure 2	TA = +25°C	20	40	μs
			TA = TMIN to TMAX			
Turn-Off Time	tOFF	VNO_ or VNC_ = +3V, RL = 300Ω, CL = 35pF, Figure 2	TA = +25°C	0.5	1	μs
			TA = TMIN to TMAX			
Power-Up Delay	tDEL			128		μs
LOGIC INPUT (IN_)						
Input-Voltage Low	VIL				0.8	V
Input-Voltage High	VIH		2.4			V
Input Leakage Current	IIN	VIN = 0 or V+	-1		+1	μA
POWER SUPPLY						
Quiescent Positive Supply Current	I+	V+ = +3.6V, V- = -3.6V, VIN_ = 0 or V+		0.8	2	mA
Quiescent Negative Supply Current	I-	V+ = +3.6V, V- = -3.6V, VIN_ = 0 or V+		0.8	2	mA
Negative Supply Voltage	V-		-3.6		-3.0	V
Positive Supply Voltage	V+		3.0		3.6	V

High-Bandwidth, T1/E1, SPST Analog Switches

ELECTRICAL CHARACTERISTICS—Dual $\pm 5V$ Supplies

($V_+ = +5V \pm 10\%$, $V_- = -5V \pm 10\%$, $T_A = T_{MIN}$ to T_{MAX} , unless otherwise noted. Typical values are at $T_A = +25^\circ C$.) (Note 1)

PARAMETER	SYMBOL	CONDITIONS	MIN	TYP	MAX	UNITS
ANALOG SWITCH						
Fault-Free Analog Signal Range	$V_{COM_}$ $V_{NO_}$ $V_{NC_}$		V-		V+	V
On-Resistance (Note 2)	R_{ON}	$V_+ = +4.5V$, $V_- = -4.5V$, $I_{COM_} = 30mA$, $V_{NO_}$ or $V_{NC_} = +3V$		3.7	5	Ω
		$T_A = +25^\circ C$ $T_A = T_{MIN}$ to T_{MAX}			6	
On-Resistance Match Between Channels (Notes 2, 3)	ΔR_{ON}	$V_+ = +4.5V$, $V_- = -4.5V$, $I_{COM_} = 30mA$, $V_{NO_}$ or $V_{NC_} = +3V$		0.1	0.6	Ω
		$T_A = +25^\circ C$ $T_A = T_{MIN}$ to T_{MAX}			0.8	
On-Resistance Flatness (Notes 2, 4)	$R_{FLAT(ON)}$	$V_+ = +4.5V$, $V_- = -4.5V$, $I_{COM_} = 30mA$; $V_{NO_}$ or $V_{NC_} = -3V, 0V$, $+3V$		0.4	1.2	Ω
		$T_A = +25^\circ C$ $T_A = T_{MIN}$ to T_{MAX}			1.5	
NO or NC Off-Leakage Current	$I_{NO(OFF)}$ $I_{NC(OFF)}$	$V_+ = +5.5V$, $V_- = -5.5V$; $V_{COM_} = -5V, +5V$; $V_{NO_}$ or $V_{NC_} = +5V, -5V$	-10		+10	nA
COM Off-Leakage Current	$I_{COM(OFF)}$	$V_+ = +5.5V$, $V_- = -5.5V$; $V_{COM_} = -5V, +5V$; $V_{NO_}$ or $V_{NC_} = +5V, -5V$	-10		+10	nA
COM On-Leakage Current	$I_{COM(ON)}$	$V_+ = +5.5V$, $V_- = -5.5V$; $V_{COM_} = -5V, +5V$; NO_- or NO_+ unconnected	-15		+15	nA
FAULT						
Fault Analog Signal Range	$V_{COM_}$ $V_{NO_}$ $V_{NC_}$	$V_+ = +5V$, $V_- = -5V$	-11		+11	V
NO or NC Off-Leakage Current	$I_{NO_}$ $I_{NC_}$	$V_+ = +5V$, $V_- = -5V$; $V_{NO_}$ or $V_{NC_} = +11V, -11V$; $V_{COM_} = -5.5V, +5.5V$	-1		+1	μA
COM Off-Leakage Current	$I_{COM_}$	$V_+ = +5V$, $V_- = -5V$; $V_{COM_} = +11V, -11V$; $V_{NO_}$ or $V_{NC_} = -5.5V, +5.5V$	-1		+1	μA
SWITCH DYNAMIC CHARACTERISTICS						
Crosstalk (Note 5)	V_{CT1}	$R_L = 50\Omega$, $f = 1.024MHz$, Figure 4		110		dB
	V_{CT2}	$R_L = 50\Omega$, $f = 30MHz$, Figure 4		77		

High-Bandwidth, T1/E1, SPST Analog Switches

MAX4815/MAX4816/MAX4817

ELECTRICAL CHARACTERISTICS—Dual ±5V Supplies (continued)

(V+ = +5V ±10%, V- = -5V ±10%, TA = TMIN to TMAX, unless otherwise noted. Typical values are at TA = +25°C.) (Note 1)

PARAMETER	SYMBOL	CONDITIONS	MIN	TYP	MAX	UNITS
Off-Isolation (Note 6)	VISO1	VCOM_ to VNO_ or VNC_, RL = 50Ω, f = 1.024MHz, Figure 4		60		dB
	VISO2	VCOM_ to VNO_ or VNC_, RL = 50Ω, f = 30MHz, Figure 4		30		
On-Channel -3dB Bandwidth	BW	RS = RL = 50Ω, Figure 4		550		MHz
COM On-Capacitance	CON(COM_)	f = 1MHz, Figure 5		10		pF
COM Off-Capacitance	COFF(COM_)	f = 1MHz, Figure 5		7		pF
NC/NO Off-Capacitance	COFF	f = 1MHz, Figure 5		7		pF
Charge Injection	Q	CL = 1.0nF, VGEN = 0, RGEN = 0, Figure 3		55		pC
Fault Recovery Time	tREC	VNO_, VNC_, VCOM_ = -11V		128		μs
Turn-On Time	tON	VNO_ or VNC_ = +3V, RL = 300Ω, CL = 35pF, Figure 2	TA = +25°C	20	40	μs
			TA = TMIN to TMAX		40	
Turn-Off Time	tOFF	VNO_ or VNC_ = +3V, RL = 300Ω, CL = 35pF, Figure 2	TA = +25°C	0.5	1	μs
			TA = TMIN to TMAX		1	
Power-Up Delay	tDEL			128		μs
LOGIC INPUT (IN_)						
Input-Voltage Low	VIL				0.8	V
Input-Voltage High	VIH		2.4			V
Input Leakage Current	IIN	VIN = 0 or V+	-1		+1	μA
POWER SUPPLY						
Quiescent Positive Supply Current	I+	V+ = +5.5V, V- = -5.5V, VIN_ = 0 or V+		0.9	2	mA
Quiescent Negative Supply Current	I-	V+ = +5.5V, V- = -5.5V, VIN_ = 0 or V+		0.9	2	mA
Negative Supply Voltage	V-		-5.5		-4.5	V
Positive Supply Voltage	V+		4.5		5.5	V

Note 1: All parameters are production tested at TA = +85°C and guaranteed by design over specified temperature range.

Note 2: Guaranteed by design, not production tested.

Note 3: ΔRON = RON(MAX) - RON(MIN).

Note 4: Flatness is defined as the difference between the maximum and minimum value of on-resistance as measured over the specified analog signal range.

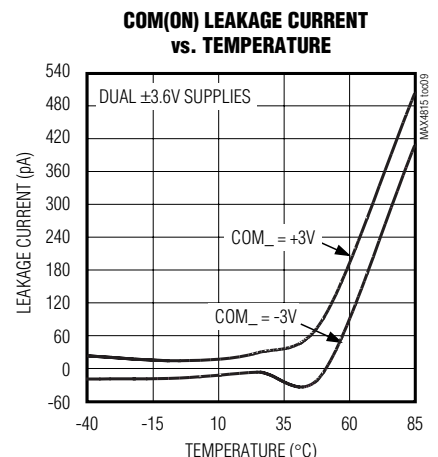
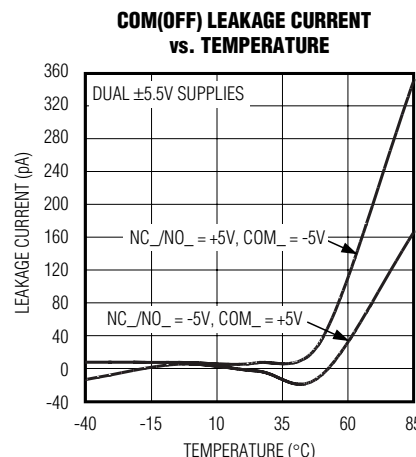
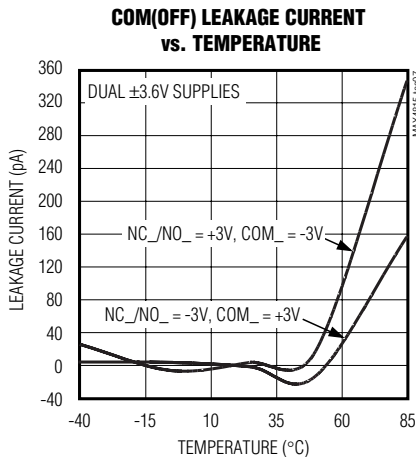
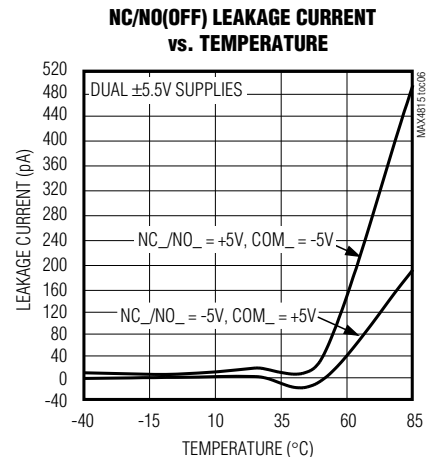
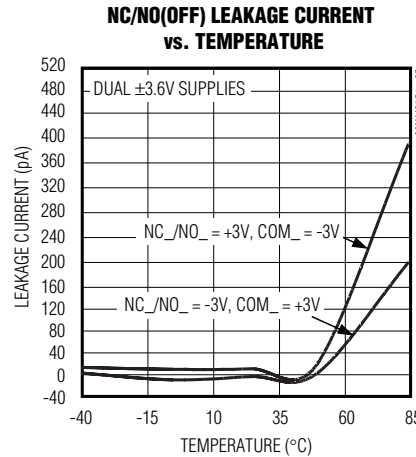
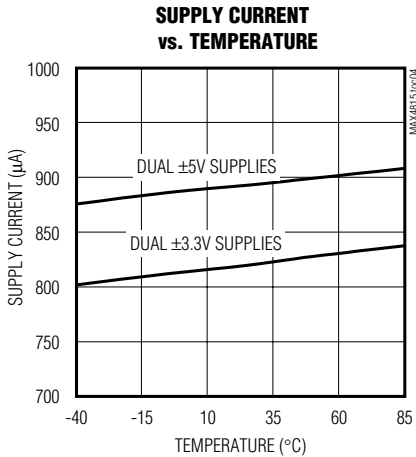
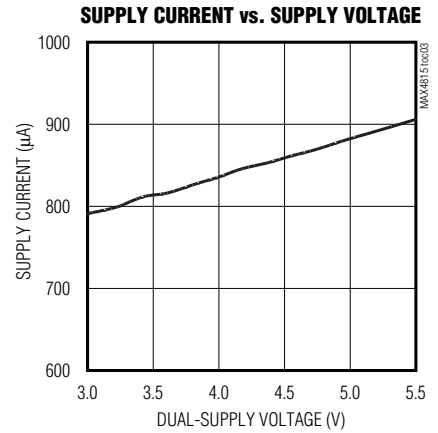
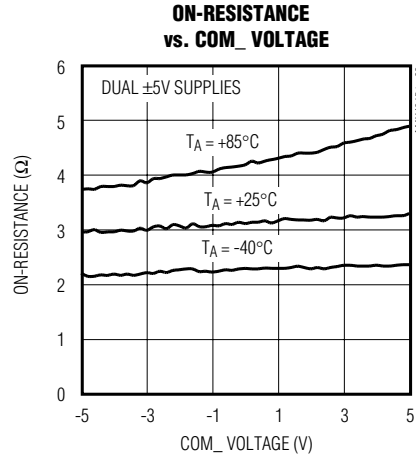
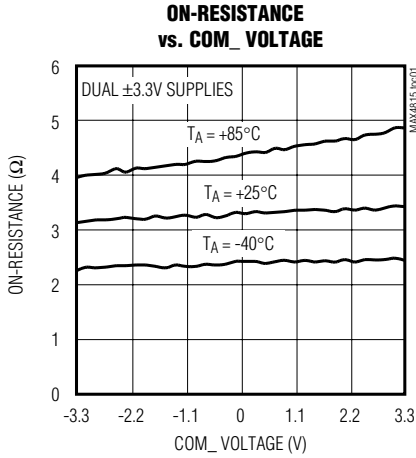
Note 5: Between any two switches.

Note 6: Off-isolation = 20 × log10 [VCOM_/(VNC_ or VNO_)], VCOM_ = output, VNC_ or VNO_ = input to OFF switch.

High-Bandwidth, T1/E1, SPST Analog Switches

Typical Operating Characteristics

(V+ = +3.3V, V- = -3.3V, T_A = +25°C, unless otherwise noted.)

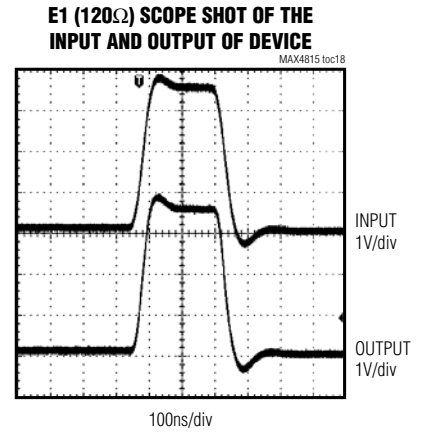
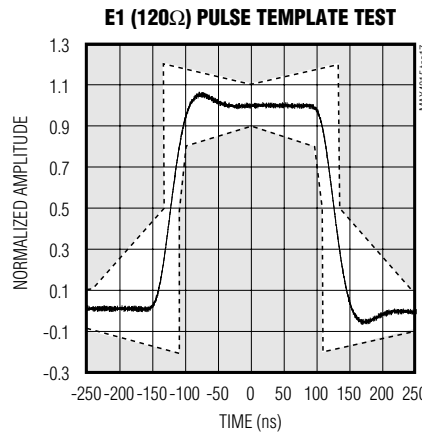
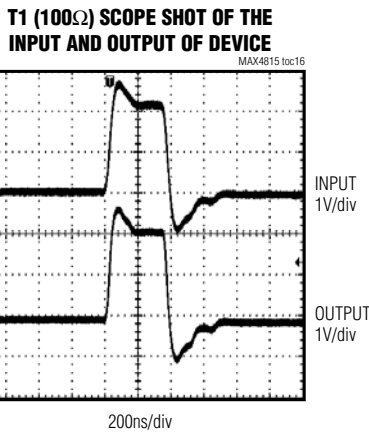
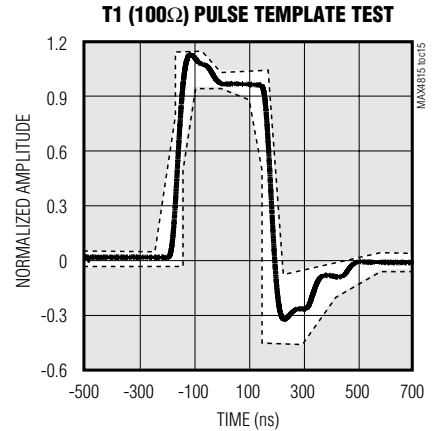
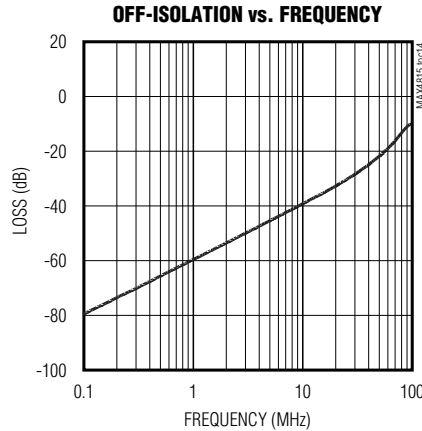
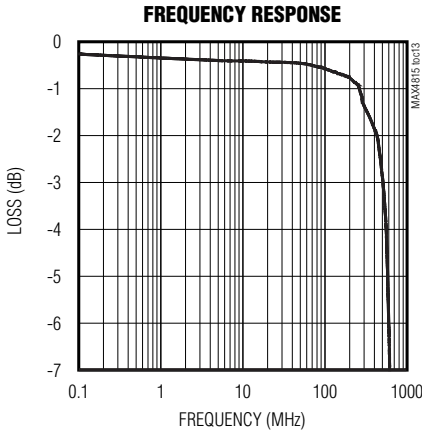
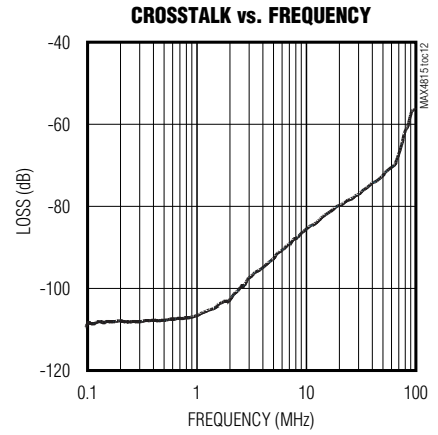
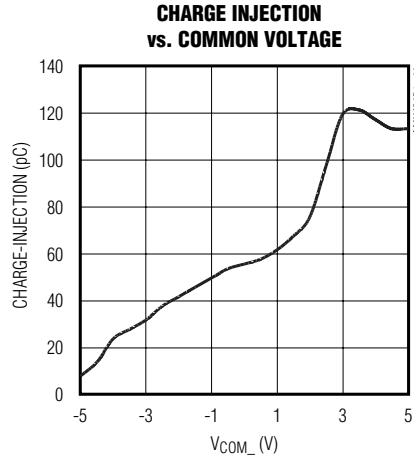
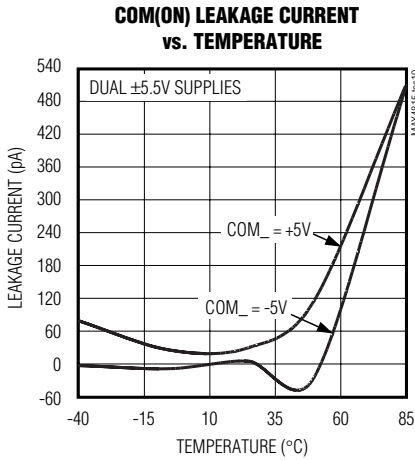


High-Bandwidth, T1/E1, SPST Analog Switches

Typical Operating Characteristics (continued)

(V+ = +3.3V, V- = -3.3V, T_A = +25°C, unless otherwise noted.)

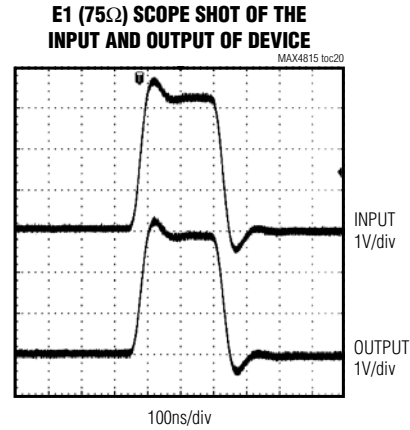
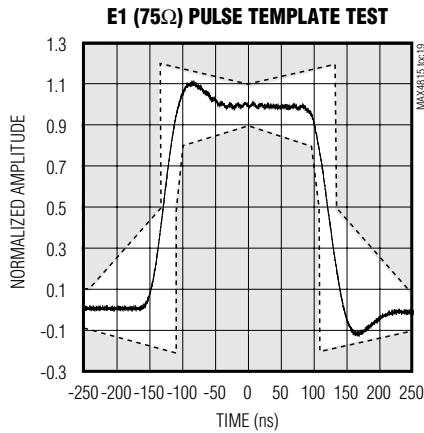
MAX4815/MAX4816/MAX4817



High-Bandwidth, T1/E1, SPST Analog Switches

Typical Operating Characteristics (continued)

(V+ = +3.3V, V- = -3.3V, T_A = +25°C, unless otherwise noted.)



Pin Description

PIN			NAME	FUNCTION
MAX4815	MAX4816	MAX4817		
1	—	—	NC1	Analog Switch Normally Closed Terminal 1
2	2	2	V-	Negative Supply Voltage. Bypass V- to ground with a 0.1μF ceramic capacitor.
3	3	3	GND	Ground
4	—	—	NC4	Analog Switch Normally Closed Terminal 4
5	5	5	COM4	Analog Switch Common Terminal 4
6	6	6	IN4	Switch 4 Logic-Control Input
7	7	7	IN3	Switch 3 Logic-Control Input
8	8	8	COM3	Analog Switch Common Terminal 3
9	—	9	NC3	Analog Switch Normally Closed Terminal 3
10	10	10	N.C.	No Connection. Not internally connected.
11	11	11	V+	Positive Supply Voltage. Bypass V+ to ground with a 0.1μF ceramic capacitor.
12	—	12	NC2	Analog Switch Normally Closed Terminal 2
13	13	13	COM2	Analog Switch Common Terminal 2
14	14	14	IN2	Switch 2 Logic-Control Input
15	15	15	IN1	Switch 1 Logic-Control Input
16	16	16	COM1	Analog Switch Common Terminal 1
—	1	1	NO1	Analog Switch Normally Open Terminal 1
—	4	4	NO4	Analog Switch Normally Open Terminal 4
—	9	—	NO3	Analog Switch Normally Open Terminal 3
—	12	—	NO2	Analog Switch Normally Open Terminal 2
EP	EP	EP	EP	Exposed Paddle. Connect exposed paddle to V- or leave unconnected.

High-Bandwidth, T1/E1, SPST Analog Switches

MAX4815/MAX4816/MAX4817

Detailed Description

The MAX4815/MAX4816/MAX4817 are high-bandwidth, low-on-resistance, quad-SPST analog switches targeted to serve as integrated T1/E1 analog protection switches for 1+1 and N+1 line-card redundancy applications. These devices are designed to replace electromechanical relays to save board space, reduce power consumption, and simplify PC board routing. The devices allow the user to live insert the boards with no adverse effects.

The MAX4815/MAX4816/MAX4817 support $\pm 3.3\text{V}$ or $\pm 5\text{V}$ dual-supply operation, which is required for E1/T1 signal switching in the line-side of the interface transformer. Internal voltage multipliers supply the switches yielding excellent linearity and low on-resistance, typically 3.7Ω , within the E1/T1 analog signal range. This high-bandwidth, typically 550MHz, family of devices is optimized for low return loss and matched pulse template performance in E1/T1 short-haul and long-haul applications.

Analog Signal Levels

The on-resistance of the MAX4815/MAX4816/MAX4817 is very low and stable as the analog signals are swept from V- to V+ (see the *Typical Operating Characteristics*).

Fault Protection

The fault protection of the MAX4815/MAX4816/MAX4817 allows the devices to handle input signals of more than twice the supply voltage without clamping the signal, latching up, or disturbing other cards in the system. The device detects when the input voltage drops below the negative supply. As soon as a fault condition is detected, the switch is immediately turned off for 128 clock cycles (typically 128 μs). At the end of the 128 μs timeout, the switch is turned back on for one clock cycle. At the end of the one clock cycle, if the signal is within the operating range, the switch will remain on. Otherwise, the device will turn the switch off again for 128 clock cycles. This will repeat until the signal is within the operating range. In T1/E1 redundancy applications, this can happen when the load resistor (R_L) is removed or disconnected for any reason, as shown in Figure 1. Without a load resistor, the output voltage when using a 1:2 transformer can be as high as $\pm 11\text{V}$.

Hot Insertion

The MAX4815/MAX4816/MAX4817 tolerate hot insertions, thus are not damaged when inserted into a live backplane. Competing devices can exhibit low impedance when plugged into a live backplane that can cause high power dissipation leading to damage of the device itself. The MAX4815/MAX4816/MAX4817 have relatively high input impedance when V+ and V- are

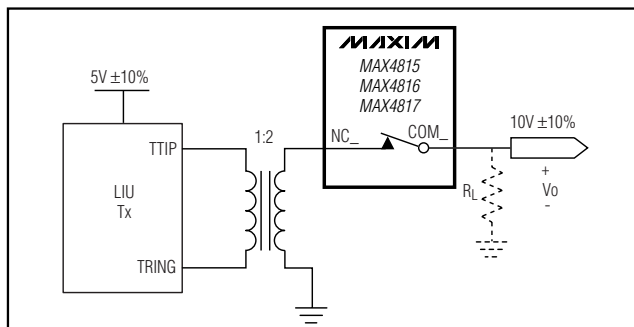


Figure 1. Fault Protection

unconnected or connected to GND. Therefore, the devices are not destroyed by a hot insertion. In order to guarantee data integrity, the V+ and V- supplies must be properly biased.

Applications Information

T1/E1 N+1 Redundancy

The MAX4815/MAX4816/MAX4817 are designed for adjacent line-card protection applications. Figures 6 and 7 show a basic architecture for twisted-pair interface (120 Ω E1, or 100 Ω T1). Coaxial cable interface (75 Ω E1) can be illustrated with the same figures but without the single-ended-to-differential conversion stage. A single protection card can replace up to N line cards in a N+1 redundancy scheme. Figure 6 shows the MAX4815/MAX4816/MAX4817 sitting in the line cards where they can reroute any of the input/output signals to a protection line card. Figure 7 shows the MAX4815/MAX4816/MAX4817 sitting in a protection-switching card where the switches are always powered. These figures do not show the surge protection elements and resistors for line termination/impedance matching.

The low on-resistance and high bandwidth of the MAX4815/MAX4816/MAX4817 yield good pulse template and return-loss performance (see the *Typical Operating Characteristics*). The pulse template tests for E1 (twisted pair interface 120 Ω and coaxial interface 75 Ω) and T1 (twisted pair interface 100 Ω) were tested using the Dallas DS2155 single-chip transceiver evaluation board, and twelve switches in parallel with one switch closed and the other eleven open. The internal transmit termination feature must be disabled when using this circuit. To use the same transmit resistors for E1 twisted pair and coaxial cables, the transmit line build out control register (TLBC) is set to the value 6Ah. This sets the driver voltage so the output pulse has the right amplitude for both 120 Ω (twisted pair) and 75 Ω (coaxial) loads. The analog switches were powered with dual power supplies at $\pm 5\text{V}$.

High-Bandwidth, T1/E1, SPST Analog Switches

Test Circuits/Timing Diagrams

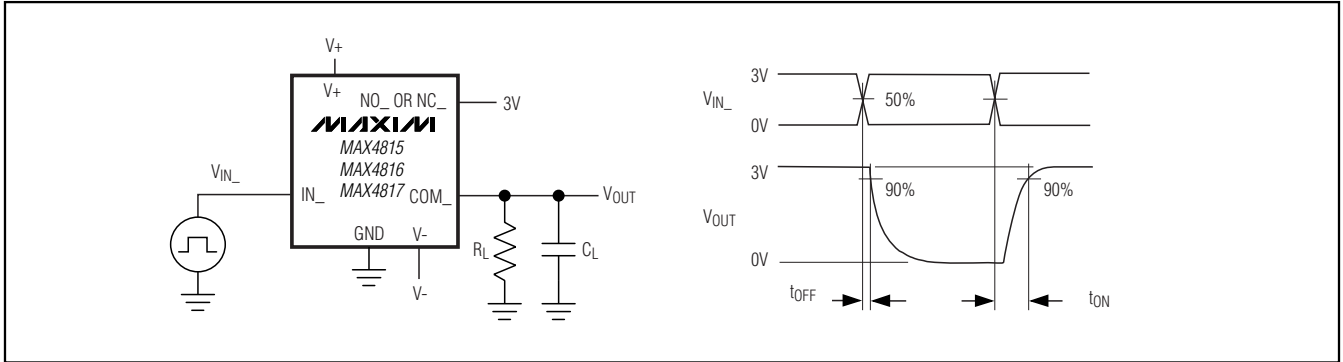


Figure 2. Switch Turn-On/Turn-Off Times

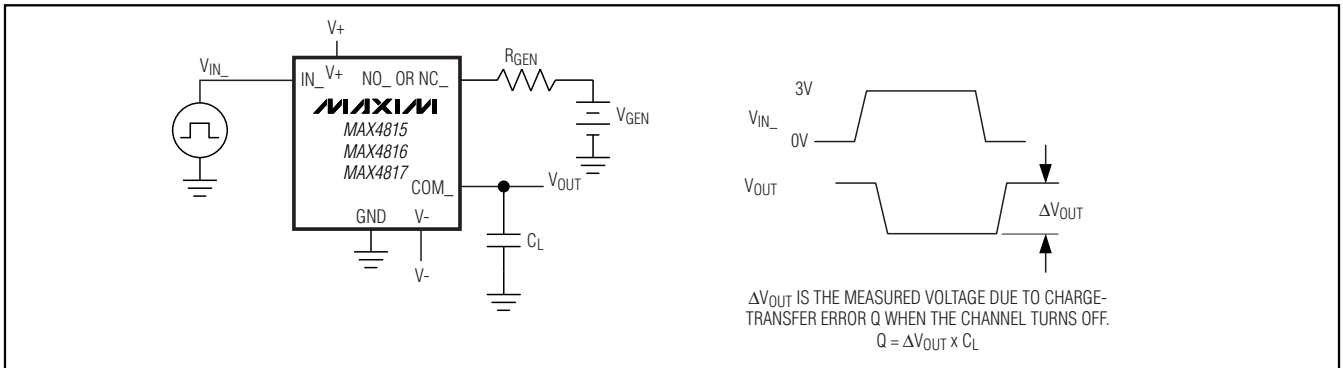


Figure 3. Charge Injection

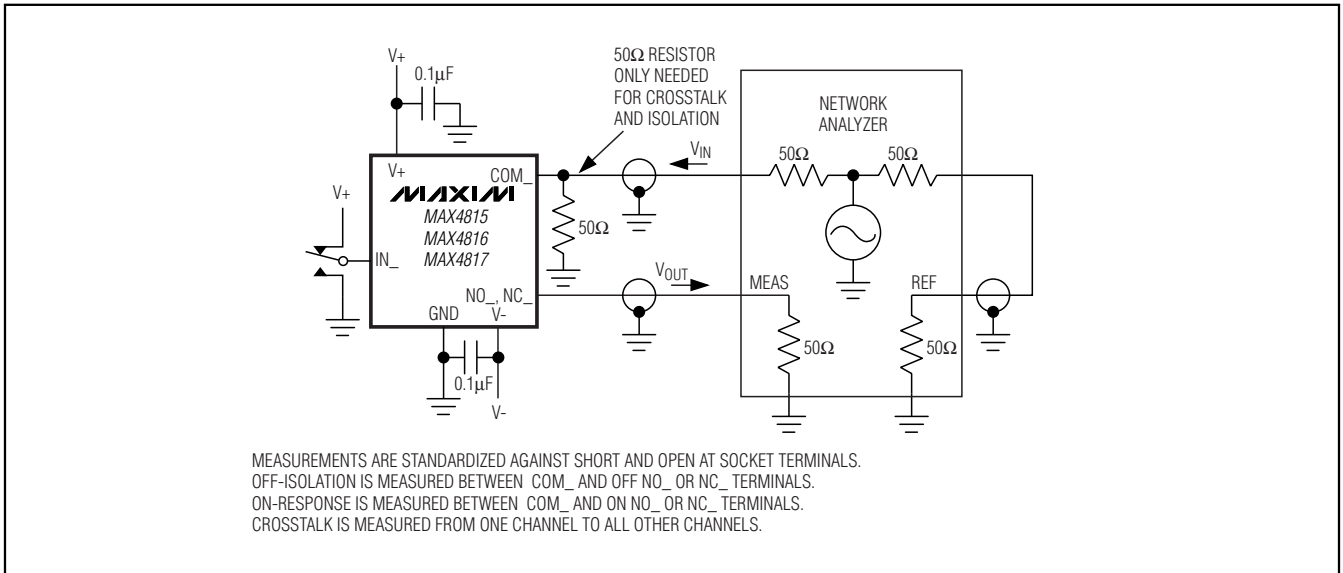


Figure 4. On-Loss, Off-Isolation, and Crosstalk

High-Bandwidth, T1/E1, SPST Analog Switches

Test Circuits/Timing Diagrams (continued)

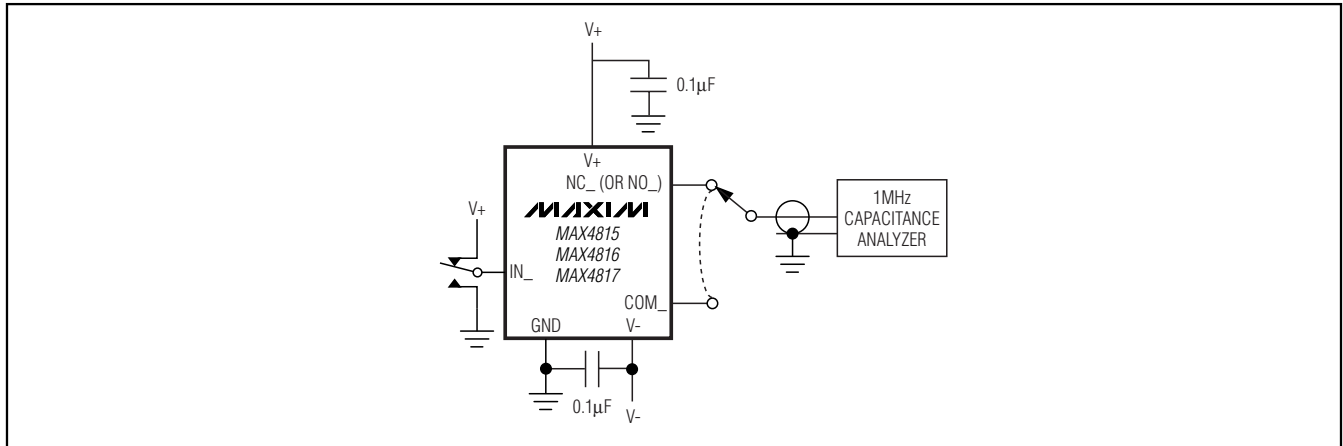


Figure 5. Channel Off-/On-Capacitance

MAX4815/MAX4816/MAX4817

High-Bandwidth, T1/E1, SPST Analog Switches

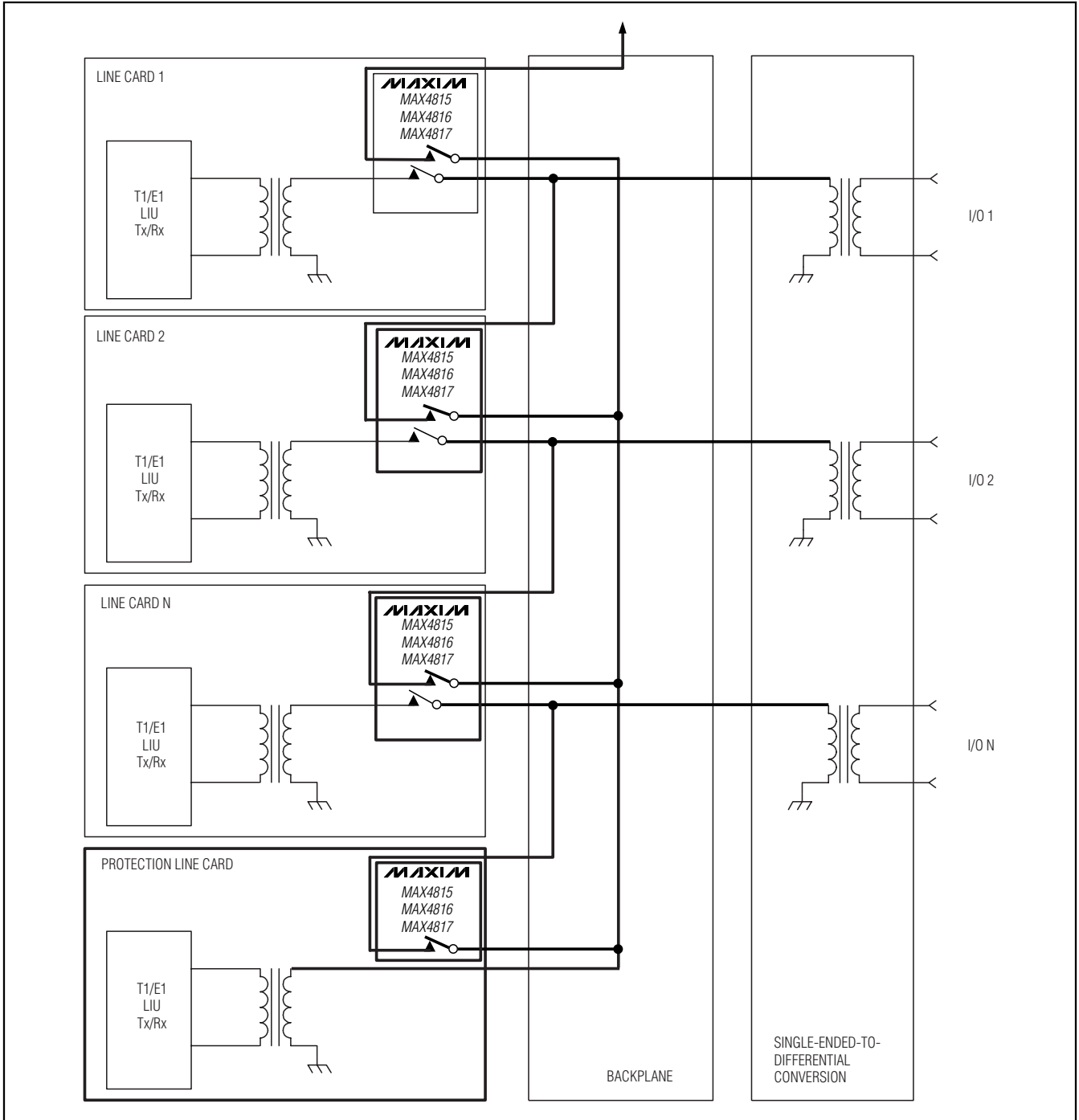


Figure 6. Adjacent Line-Card Protection Architecture with Switches in the Line Cards for Twisted Pair Cable (120Ω E1, or 100Ω T1). Figure for coaxial cable (75Ω E1) is the same without the single-ended-to-differential conversion.

High-Bandwidth, T1/E1, SPST Analog Switches

MAX4815/MAX4816/MAX4817

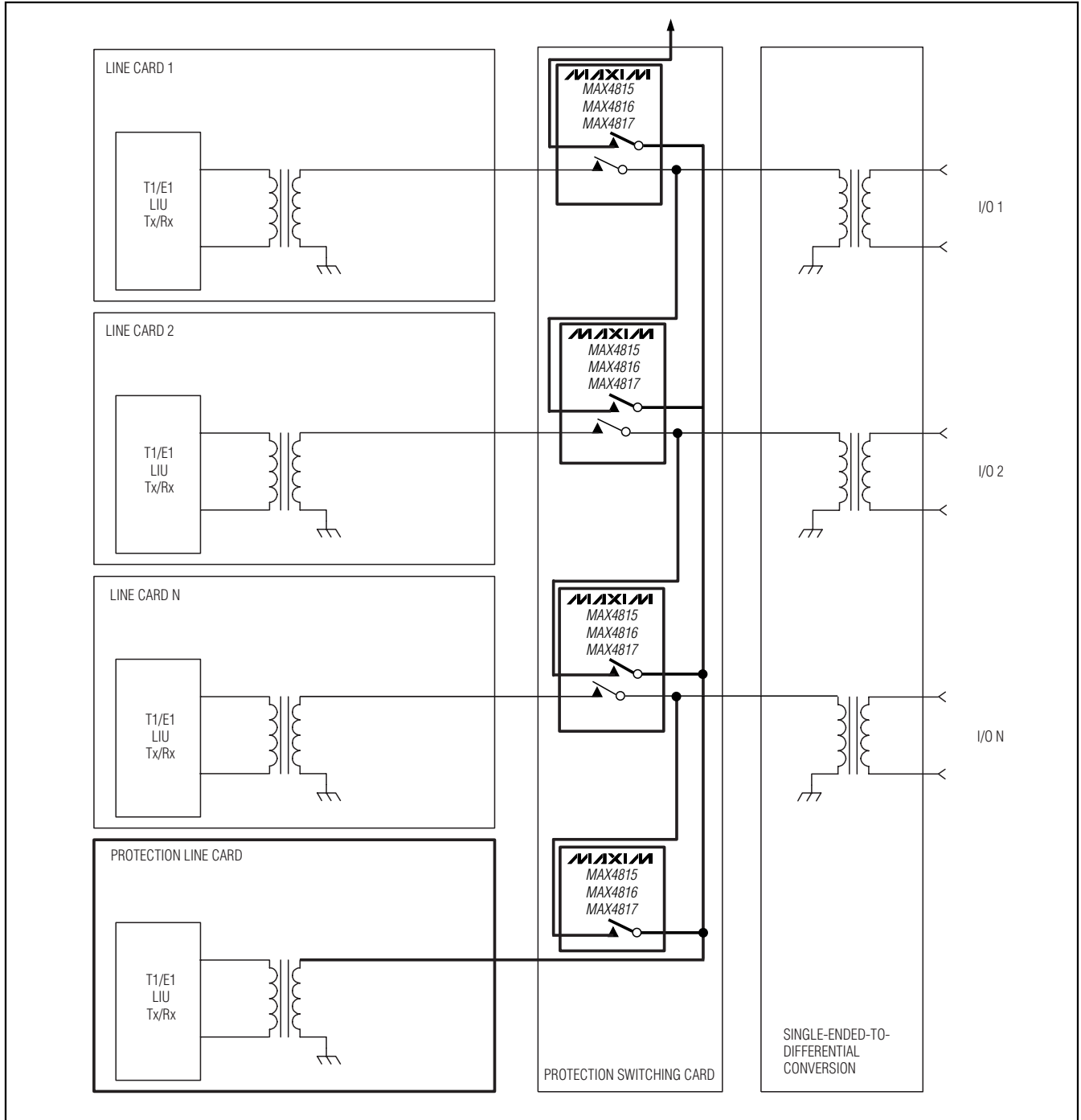
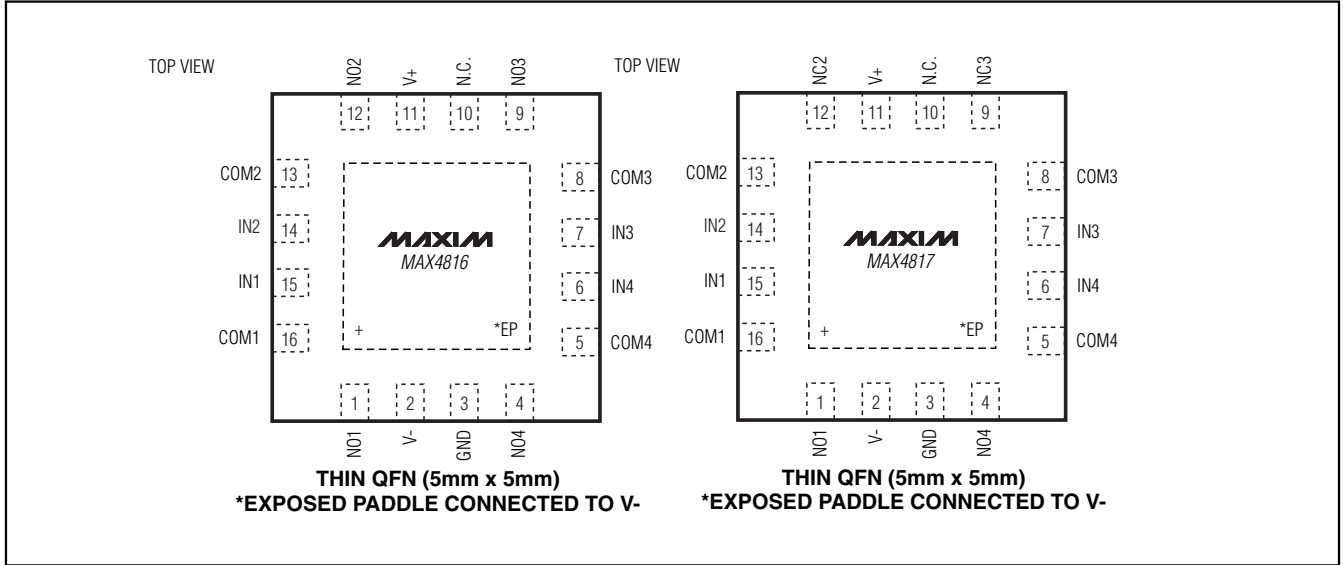


Figure 7. Adjacent Line-Card Protection Architecture with Switches out of the Line Cards for Twisted Pair Cable (120Ω E1, or 100Ω T1). Figure for coaxial cable (75Ω E1) is the same without the single-ended-to-differential conversion.

High-Bandwidth, T1/E1, SPST Analog Switches

Pin Configurations (continued)



Chip Information

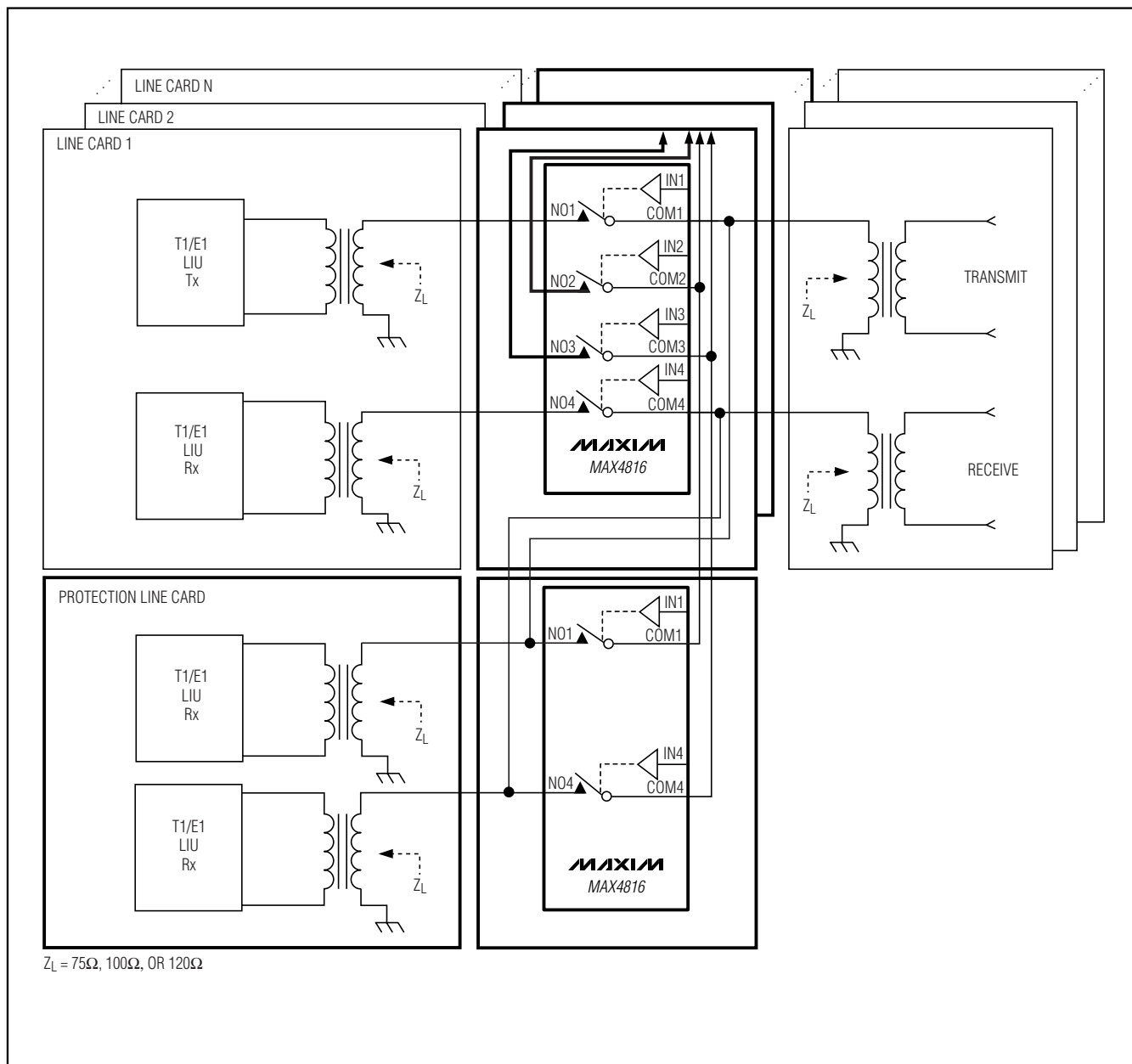
PROCESS: BiCMOS

CONNECT EXPOSED PADDLE TO V-.

High-Bandwidth, T1/E1, SPST Analog Switches

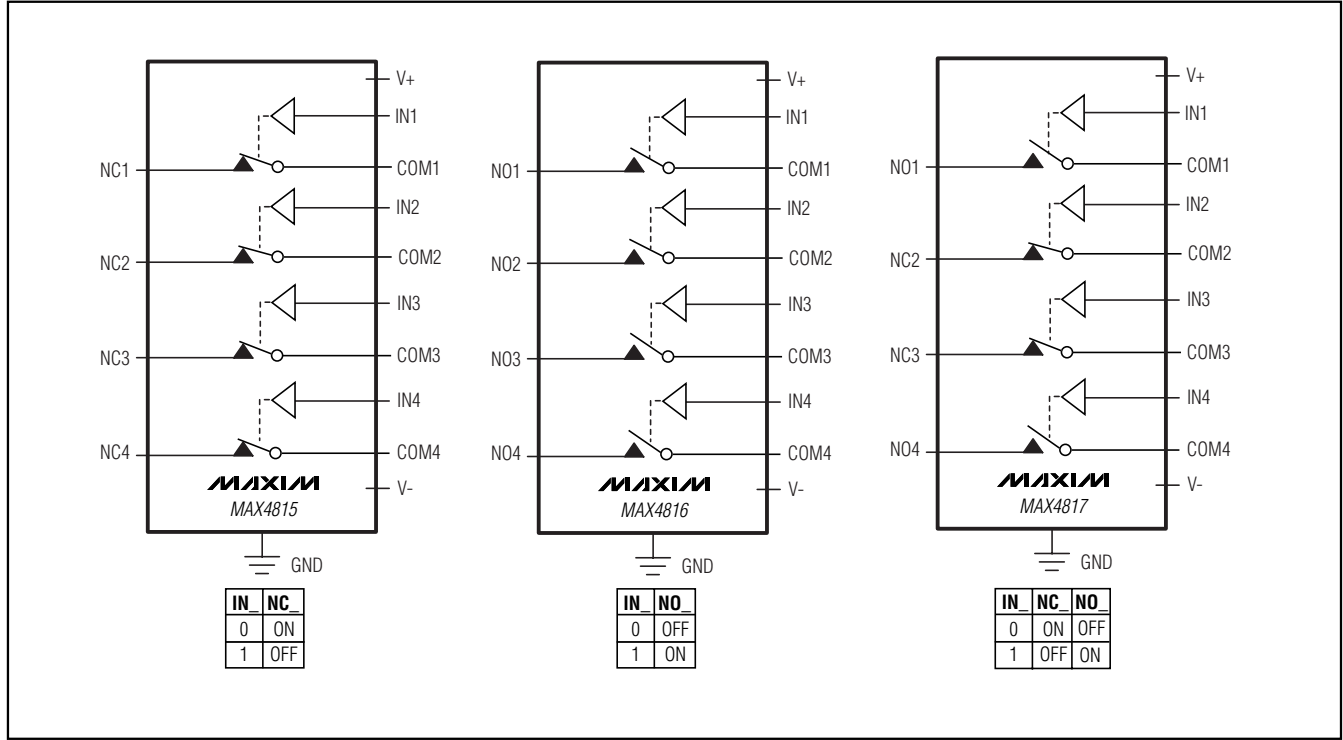
Typical Operating Circuit

MAX4815/MAX4816/MAX4817



High-Bandwidth, T1/E1, SPST Analog Switches

Functional Diagram

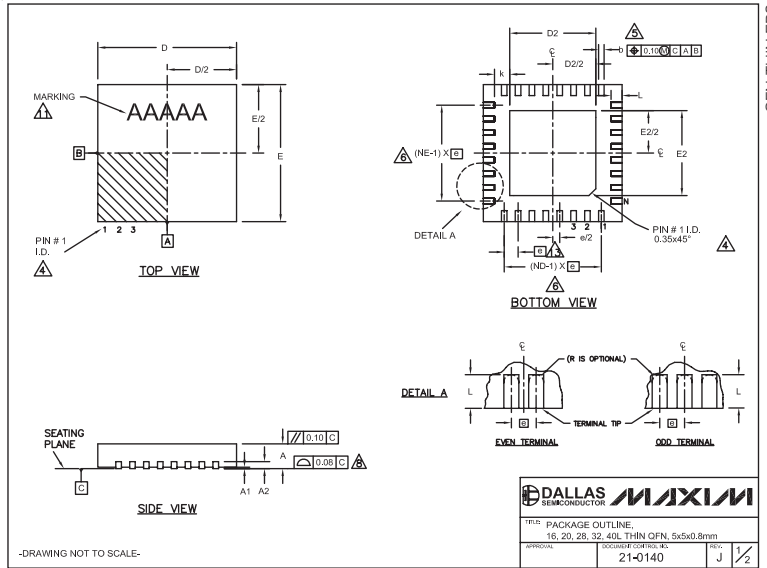


High-Bandwidth, T1/E1, SPST Analog Switches

Package Information

(The package drawing(s) in this data sheet may not reflect the most current specifications. For the latest package outline information, go to www.maxim-ic.com/packages.)

MAX4815/MAX4816/MAX4817



COMMON DIMENSIONS										EXPOSED PAD VARIATIONS						
PKG	16L 5x5		20L 5x5		28L 5x5		32L 5x5		40L 5x5		PKG.	D2		E2		
SYMBOL	MIN	NOM	MAX	MIN	NOM	MAX	MIN	NOM	MAX	MIN	NOM	MAX	MIN	NOM	MAX	
A	0.70	0.75	0.80	0.70	0.75	0.80	0.70	0.75	0.80	0.70	0.75	0.80	3.00	3.10	3.20	
A1	0	0.02	0.05	0	0.02	0.05	0	0.02	0.05	0	0.02	0.05	3.00	3.10	3.20	
A2	0.20 REF.		0.20 REF.		0.20 REF.		0.20 REF.		0.20 REF.		0.20 REF.		3.00	3.10	3.20	
b	0.25	0.30	0.35	0.25	0.30	0.35	0.20	0.25	0.30	0.15	0.20	0.25	3.00	3.10	3.20	
D	4.90	5.00	5.10	4.90	5.00	5.10	4.90	5.00	5.10	4.90	5.00	5.10	3.00	3.10	3.20	
E	4.90	5.00	5.10	4.90	5.00	5.10	4.90	5.00	5.10	4.90	5.00	5.10	3.00	3.10	3.20	
e	0.80 BSC.		0.65 BSC.		0.50 BSC.		0.50 BSC.		0.40 BSC.		T1655-2	3.00	3.10	3.20	3.00	
k	0.25	+	0.25	-	0.25	+	0.25	-	0.25	+	0.25	-	T1655-3	3.00	3.10	3.20
L	0.30	0.40	0.50	0.45	0.55	0.45	0.55	0.30	0.40	0.50	0.30	0.40	0.50	T2855-3	3.15	3.25
ND	16	20	28	32	40	T2855-4	2.60	2.70	2.80	2.60	2.70	2.80	T2855-5	2.60	2.70	
NE	4	5	7	8	10	T2855-6	3.15	3.25	3.35	3.15	3.25	3.35	T2855-7	2.60	2.70	
JEDEC	WH1B	WH1C	WH1D-1	WH1D-2	---	T2855-8	3.15	3.25	3.35	3.15	3.25	3.35	T2855N-1	3.00	3.10	

NOTES:

- DIMENSIONING & TOLERANCING CONFORM TO ASME Y14.5M-1994.
- ALL DIMENSIONS ARE IN MILLIMETERS. ANGLES ARE IN DEGREES.
- N IS THE TOTAL NUMBER OF TERMINALS.
- THE TERMINAL #1 IDENTIFIER AND TERMINAL NUMBERING CONVENTION SHALL CONFORM TO JEDEC 98-1 SPP-012. DETAILS OF TERMINAL #1 IDENTIFIER ARE OPTIONAL, BUT MUST BE LOCATED WITHIN THE ZONE INDICATED. THE TERMINAL #1 IDENTIFIER MAY BE EITHER A MOLD OR MARKED FEATURE.
- DIMENSION 5 APPLIES TO METALLIZED TERMINAL AND IS MEASURED BETWEEN 0.25 mm AND 0.30 mm FROM TERMINAL TIP.
- ND AND NE REFER TO THE NUMBER OF TERMINALS ON EACH D AND E SIDE RESPECTIVELY.
- DEPOPULATION IS POSSIBLE IN A SYMMETRICAL FASHION.
- COPLANARITY APPLIES TO THE EXPOSED HEAT SINK SLUG AS WELL AS THE TERMINALS.
- DRAWING CONFORMS TO JEDEC MO220, EXCEPT EXPOSED PAD DIMENSION FOR T2855-3 AND T2855-6.
- WARPAGE SHALL NOT EXCEED 0.10 mm.
- MARKING IS FOR PACKAGE ORIENTATION REFERENCE ONLY.
- NUMBER OF LEADS SHOWN ARE FOR REFERENCE ONLY.
- LEAD CENTERLINES TO BE AT TRUE POSITION AS DEFINED BY BASIC DIMENSION "e", ±0.05.

SEE COMMON DIMENSIONS TABLE

DALLAS SEMICONDUCTOR MAXIM
PACKAGE OUTLINE, 16, 20, 28, 32, 40L THIN QFN, 5x5x0.8mm
21-0140

Revision History

Pages changed at Rev 2: 1, 9, 17

Maxim cannot assume responsibility for use of any circuitry other than circuitry entirely embodied in a Maxim product. No circuit patent licenses are implied. Maxim reserves the right to change the circuitry and specifications without notice at any time.

Maxim Integrated Products, 120 San Gabriel Drive, Sunnyvale, CA 94086 408-737-7600 17