



Chipsmall Limited consists of a professional team with an average of over 10 year of expertise in the distribution of electronic components. Based in Hongkong, we have already established firm and mutual-benefit business relationships with customers from,Europe,America and south Asia,supplying obsolete and hard-to-find components to meet their specific needs.

With the principle of "Quality Parts,Customers Priority,Honest Operation,and Considerate Service",our business mainly focus on the distribution of electronic components. Line cards we deal with include Microchip,ALPS,ROHM,Xilinx,Pulse,ON,Everlight and Freescale. Main products comprise IC,Modules,Potentiometer,IC Socket,Relay,Connector.Our parts cover such applications as commercial,industrial, and automotives areas.

We are looking forward to setting up business relationship with you and hope to provide you with the best service and solution. Let us make a better world for our industry!



## Contact us

Tel: +86-755-8981 8866 Fax: +86-755-8427 6832

Email & Skype: info@chipsmall.com Web: www.chipsmall.com

Address: A1208, Overseas Decoration Building, #122 Zhenhua RD., Futian, Shenzhen, China



# MAXIM

## Low-Power, Serial, 14-Bit DACs with Voltage Output

MAX5170/MAX5172

### General Description

The MAX5170/MAX5172 low-power, serial, voltage-output, 14-bit digital-to-analog converters (DACs) feature a precision output amplifier in a space-saving 16-pin QSOP package. The MAX5170 operates from a +5V single supply and the MAX5172 operates from a +3V single supply. Both devices draw only 280 $\mu$ A of supply current, which reduces to 1 $\mu$ A in shutdown. In addition, the programmable power-up reset feature allows for a user-selectable power-up output voltage of either 0 or midscale.

The 3-wire serial interface is compatible with SPI™, QSPI™, and MICROWIRE™ standards. An input register followed by a DAC register provides a double-buffered input, allowing the input and DAC registers to be updated independently or simultaneously with a 16-bit serial word. Additional features include software and hardware shutdown, shutdown lockout, a hardware clear pin, and a reference input capable of accepting DC and offset AC signals. These devices provide a programmable digital output pin for added functionality and a serial-data output pin for daisy-chaining. All logic inputs are TTL/CMOS-compatible and are internally buffered with Schmitt triggers to allow direct interfacing to optocouplers.

The MAX5170/MAX5172 incorporate a proprietary on-chip circuit that keeps the output voltage virtually “glitch free,” limiting the glitches to a few millivolts during power-up.

Both devices are available in 16-pin QSOP packages and are specified for the extended (-40°C to +85°C) temperature range. For 100% pin-compatible DACs with internal reference, see the 13-bit MAX5130/MAX5131 and the 12-bit MAX5120/MAX5121 data sheets.

### Applications

Industrial Process Controls  
 Digital Offset and Gain Adjustment  
 Motion Control  
 Automatic Test Equipment (ATE)  
 Remote Industrial Controls  
 $\mu$ P-Controlled Systems

**Functional Diagram appears at end of data sheet.**

SPI and QSPI are trademarks of Motorola, Inc.  
 MICROWIRE is a trademark of National Semiconductor Corp.  
 Rail-to-Rail is a registered trademark of Nippon Motorola, Ltd.

**MAXIM**

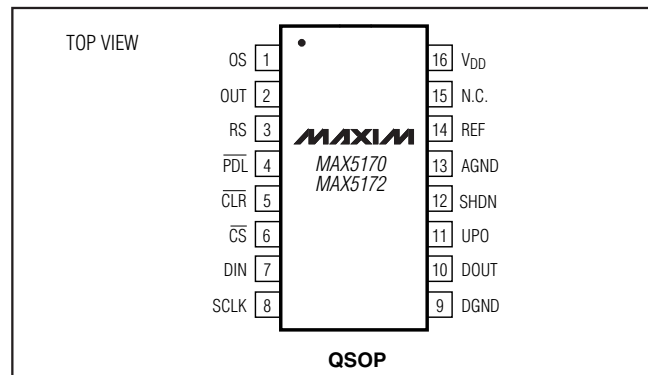
### Features

- ◆  $\pm 1$  LSB INL
- ◆ 1 $\mu$ A Shutdown Current
- ◆ “Glitch Free” Output Voltage at Power-Up
- ◆ Single-Supply Operation
  - +5V (MAX5170)
  - +3V (MAX5172)
- ◆ Full-Scale Output Range
  - +2.048V (MAX5172,  $V_{REF} = +1.25V$ )
  - +4.096V (MAX5170,  $V_{REF} = +2.5V$ )
- ◆ Rail-to-Rail® Output Amplifier
- ◆ Adjustable Output Offset
- ◆ Low THD (-80dB) in Multiplying Operation
- ◆ SPI/QSPI/MICROWIRE-Compatible 3-Wire Serial Interface
- ◆ Programmable Shutdown Mode and Power-Up Reset (0 or Midscale)
- ◆ Buffered Output Capable of Driving 5k $\Omega$  || 100pF Loads
- ◆ User-Programmable Digital Output Pin Allows Serial Control of External Components
- ◆ Pin-Compatible Upgrade to the 12-Bit MAX5174/MAX5176

### Ordering Information

PART	TEMP RANGE	PIN-PACKAGE	INL (LSB)
MAX5170AEEE	-40°C to +85°C	16 QSOP	$\pm 1$
MAX5170BEEE	-40°C to +85°C	16 QSOP	$\pm 2$
MAX5172AEEE	-40°C to +85°C	16 QSOP	$\pm 2$
MAX5172BEEE	-40°C to +85°C	16 QSOP	$\pm 4$

### Pin Configuration



# Low-Power, Serial, 14-Bit DACs with Voltage Output

MAXIM

## ABSOLUTE MAXIMUM RATINGS

V <sub>DD</sub> to AGND, DGND	-0.3V to +6.0V
AGND to DGND	-0.3V to +0.3V
Digital Inputs to DGND	-0.3V to +6.0V
DOUT, UPO to DGND	-0.3V to (V <sub>DD</sub> + 0.3V)
OUT, REF to AGND	-0.3V to (V <sub>DD</sub> + 0.3V)
OS to AGND	(AGND - 4.0V) to (V <sub>DD</sub> + 0.3V)
Maximum Current into Any Pin	50mA

Continuous Power Dissipation (T <sub>A</sub> = +70°C)	
16-Pin QSOP (derate 8mW/°C above +70°C)	667mW
Operating Temperature Range	-40°C to +85°C
Storage Temperature Range	-65°C to +150°C
Lead Temperature (soldering, 10s)	+300°C

Stresses beyond those listed under "Absolute Maximum Ratings" may cause permanent damage to the device. These are stress ratings only, and functional operation of the device at these or any other conditions beyond those indicated in the operational sections of the specifications is not implied. Exposure to absolute maximum rating conditions for extended periods may affect device reliability.

## ELECTRICAL CHARACTERISTICS—MAX5170

(V<sub>DD</sub> = +5V ±10%, V<sub>REF</sub> = 2.5V, OS = AGND = DGND, R<sub>L</sub> = 5kΩ, C<sub>L</sub> = 100pF referenced to ground, T<sub>A</sub> = T<sub>MIN</sub> to T<sub>MAX</sub>, unless otherwise noted. Typical values are at T<sub>A</sub> = +25°C.)

PARAMETER	SYMBOL	CONDITIONS	MIN	TYP	MAX	UNITS
<b>STATIC PERFORMANCE</b>						
Resolution			14			Bits
Integral Nonlinearity (Note 1)	INL	MAX5170A			±1	LSB
		MAX5170B			±2	
Differential Nonlinearity	DNL				±1	LSB
Offset Error (Note 2)	V <sub>OS</sub>				±10	mV
Gain Error	GE	R <sub>L</sub> = ∞		-0.6	±4	LSB
		R <sub>L</sub> = 5kΩ		-1.6	±8	
Power-Supply Rejection Ratio	PSRR			10	120	μV/V
Output Noise Voltage		f = 100kHz		1		LSBp-p
Output Thermal Noise Density				80		nV/√Hz
<b>REFERENCE</b>						
Reference Input Range	V <sub>REF</sub>		0		V <sub>DD</sub> - 1.4	V
Reference Input Resistance	R <sub>REF</sub>		18			kΩ
<b>MULTIPLYING-MODE PERFORMANCE</b>						
Reference -3dB Bandwidth		V <sub>REF</sub> = 0.5Vp-p + 1.5V <sub>DC</sub> , slew-rate limited		350		kHz
Reference Feedthrough		V <sub>REF</sub> = 3.6Vp-p + 1.8V <sub>DC</sub> , f = 1kHz, code = all 0s		-80		dB
Signal-to-Noise Plus Distortion Ratio	SINAD	V <sub>REF</sub> = 1.5 Vp-p + 1.5V <sub>DC</sub> , f = 10kHz, code = 3FFF hex		82		dB
<b>DIGITAL INPUTS</b>						
Input High Voltage	V <sub>IH</sub>		3			V
Input Low Voltage	V <sub>IL</sub>				0.8	V
Input Hysteresis	V <sub>HYS</sub>			200		mV
Input Leakage Current	I <sub>IN</sub>	V <sub>IN</sub> = 0 or V <sub>DD</sub>		0.001	±1	μA
Input Capacitance	C <sub>IN</sub>			8		pF
<b>DIGITAL OUTPUTS</b>						
Output High Voltage	V <sub>OH</sub>	I <sub>SOURCE</sub> = 2mA	V <sub>DD</sub> - 0.5			V
Output Low Voltage	V <sub>OL</sub>	I <sub>SINK</sub> = 2mA		0.13	0.4	V

# Low-Power, Serial, 14-Bit DACs with Voltage Output

MAX5170/MAX5172

## ELECTRICAL CHARACTERISTICS—MAX5170 (continued)

( $V_{DD} = +5V \pm 10\%$ ,  $V_{REF} = 2.5V$ , OS = AGND = DGND,  $R_L = 5k\Omega$ ,  $C_L = 100pF$  referenced to ground,  $T_A = T_{MIN}$  to  $T_{MAX}$ , unless otherwise noted. Typical values are at  $T_A = +25^\circ C$ .)

PARAMETER	SYMBOL	CONDITIONS	MIN	TYP	MAX	UNITS
<b>DYNAMIC PERFORMANCE</b>						
Voltage Output Slew Rate	SR			0.6		V/ $\mu$ s
Output Settling Time		To $\pm 0.5LSB$ , from 10mV to full-scale		18		$\mu$ s
Output Voltage Swing (Note 3)			0		$V_{DD}$	V
OS Pin Input Resistance			80	120		$k\Omega$
Time Required to Exit Shutdown				40		$\mu$ s
Digital Feedthrough		$\overline{CS} = V_{DD}$ , $f_{SCLK} = 100kHz$ , $V_{SCLK} = 5Vp-p$		1		nV-s
<b>POWER SUPPLIES</b>						
Positive Supply Voltage	$V_{DD}$		4.5		5.5	V
Power-Supply Current (Note 4)	$I_{DD}$			0.28	0.4	mA
Shutdown Current (Note 4)				1	10	$\mu$ A
<b>TIMING CHARACTERISTICS</b>						
SCLK Clock Period	$t_{CP}$		100			ns
SCLK Pulse Width High	$t_{CH}$		40			ns
SCLK Pulse Width Low	$t_{CL}$		40			ns
$\overline{CS}$ Fall to SCLK Rise Setup Time	$t_{CSS}$		40			ns
SCLK Rise to $\overline{CS}$ Rise Hold Time	$t_{CSH}$		0			ns
DIN Setup Time	$t_{DS}$		40			ns
DIN Hold Time	$t_{DH}$		0			ns
SCLK Rise to DOUT Valid Propagation Delay	$t_{DO1}$	$C_{LOAD} = 200pF$			80	ns
SCLK Fall to DOUT Valid Propagation Delay	$t_{DO2}$	$C_{LOAD} = 200pF$			80	ns
SCLK Rise to $\overline{CS}$ Fall Delay	$t_{CS0}$		10			ns
$\overline{CS}$ Rise to SCLK Rise Hold Time	$t_{CS1}$		40			ns
$\overline{CS}$ Pulse Width High	$t_{CSW}$		100			ns

# Low-Power, Serial, 14-Bit DACs with Voltage Output

MAX5172

## ELECTRICAL CHARACTERISTICS—MAX5172

( $V_{DD} = +2.7V$  to  $+3.6V$ ,  $V_{REF} = 1.25V$ ,  $OS = AGND = DGND$ ,  $R_L = 5k\Omega$ ,  $C_L = 100pF$  referenced to ground,  $T_A = T_{MIN}$  to  $T_{MAX}$ , unless otherwise noted. Typical values are at  $T_A = +25^\circ C$ ).

PARAMETER	SYMBOL	CONDITIONS	MIN	TYP	MAX	UNITS
<b>STATIC PERFORMANCE</b>						
Resolution			14			Bits
Integral Nonlinearity (Note 5)	INL	MAX5172A			$\pm 2$	LSB
		MAX5172B			$\pm 4$	
Differential Nonlinearity	DNL				$\pm 1$	LSB
Offset Error (Note 2)	$V_{OS}$				$\pm 10$	mV
Gain Error	GE	$R_L = \infty$		-0.6	$\pm 4$	LSB
		$R_L = 5k\Omega$		-1.6	$\pm 8$	
Power-Supply Rejection Ratio	PSRR			10	120	$\mu V/V$
Output Noise Voltage		$f = 100kHz$		2		LSBp-p
Output Thermal Noise Density				80		$nV/\sqrt{Hz}$
<b>REFERENCE</b>						
Reference Input Range	$V_{REF}$		0		$V_{DD} - 1.4$	V
Reference Input Resistance	$R_{REF}$		18			$k\Omega$
<b>MULTIPLYING-MODE PERFORMANCE</b>						
Reference -3dB Bandwidth		$V_{REF} = 0.5V_{p-p} + 0.75V_{DC}$ , slew-rate limited		350		kHz
Reference Feedthrough		$V_{REF} = 1.6V_{p-p} + 0.8V_{DC}$ , $f = 1kHz$ , code = all 0s		-80		dB
Signal-to-Noise Plus Distortion Ratio	SINAD	$V_{REF} = 0.6V_{p-p} + 0.9V_{DC}$ , $f = 10kHz$ , code = 3FFF hex		78		dB
<b>DIGITAL INPUT</b>						
Input High Voltage	$V_{IH}$		2.2			V
Input Low Voltage	$V_{IL}$				0.8	V
Input Hysteresis	$V_{HYS}$			200		mV
Input Leakage Current	$I_{IN}$	$V_{IN} = 0$ or $V_{DD}$		0.001	$\pm 1$	$\mu A$
Input Capacitance	$C_{IN}$			8		pF
<b>DIGITAL OUTPUT</b>						
Output High Voltage	$V_{OH}$	$I_{SOURCE} = 2mA$	$V_{DD} - 0.5$			V
Output Low Voltage	$V_{OL}$	$I_{SINK} = 2mA$		0.13	0.4	V

# Low-Power, Serial, 14-Bit DACs with Voltage Output

MAX5170/MAX5172

## ELECTRICAL CHARACTERISTICS—MAX5172 (continued)

( $V_{DD} = 2.7V$  to  $3.6V$ ,  $V_{REF} = 1.25V$ ,  $OS = AGND = DGND$ ,  $R_L = 5k\Omega$ ,  $C_L = 100pF$  referenced to ground,  $T_A = T_{MIN}$  to  $T_{MAX}$ , unless otherwise noted. Typical values are at  $T_A = +25^\circ C$ ).

PARAMETER	SYMBOL	CONDITIONS	MIN	TYP	MAX	UNITS
<b>DYNAMIC PERFORMANCE</b>						
Voltage Output Slew Rate	SR			0.6		V/ $\mu$ s
Output Settling Time		To $\pm 0.5LSB$ from 10mV to full-scale		18		$\mu$ s
Output Voltage Swing (Note 3)			0		$V_{DD}$	V
OS Pin Input Resistance			80	120		k $\Omega$
Time Required to Exit Shutdown				40		$\mu$ s
Digital Feedthrough		$\overline{CS} = V_{DD}$ , $f_{SCLK} = 100kHz$ , $V_{SCLK} = 3Vp-p$		1		nV-s
<b>POWER SUPPLIES</b>						
Positive Supply Voltage	$V_{DD}$		2.7		3.6	V
Power-Supply Current (Note 4)	$I_{DD}$			0.28	0.4	mA
Shutdown Current (Note 4)				1	10	$\mu$ A
<b>TIMING CHARACTERISTICS</b>						
SCLK Clock Period	$t_{CP}$		150			ns
SCLK Pulse Width High	$t_{CH}$		75			ns
SCLK Pulse Width Low	$t_{CL}$		75			ns
CSB Fall to SCLK Rise Setup Time	$t_{CSS}$		60			ns
SCLK Rise to $\overline{CS}$ Rise Hold Time	$t_{CSH}$		0			ns
DIN Setup Time	$t_{DS}$		60			ns
DIN Hold Time	$t_{DH}$		0			ns
SCLK Rise to DOUT Valid Propagation Delay	$t_{DO1}$	$C_{LOAD} = 200pF$			200	ns
SCLK Fall to DOUT Valid Propagation Delay	$t_{DO2}$	$C_{LOAD} = 200pF$			200	ns
SCLK Rise to $\overline{CS}$ Fall Delay	$t_{CS0}$		10			ns
$\overline{CS}$ Rise to SCLK Rise Hold Time	$t_{CS1}$		75			ns
$\overline{CS}$ Pulse Width High	$t_{CSW}$		150			ns

**Note 1:** INL guaranteed between codes 40 and 16383.

**Note 2:** Offset is measured at the code that comes closest to 10mV.

**Note 3:** Accuracy is better than 1.0 LSB for  $V_{OUT} = 10mV$  to  $V_{DD} - 180mV$ . Guaranteed by PSR test on end points.

**Note 4:**  $R_L =$  open and digital inputs are either  $V_{DD}$  or  $DGND$ .

**Note 5:** INL guaranteed between codes 80 and 16383.

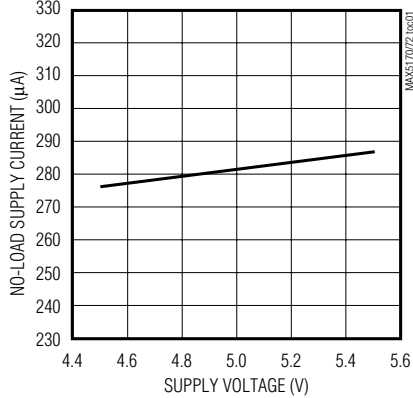
# Low-Power, Serial, 14-Bit DACs with Voltage Output

## Typical Operating Characteristics

(MAX5170:  $V_{DD} = +5V$ ,  $V_{REF} = 2.5V$ ; MAX5172:  $V_{DD} = +3V$ ,  $V_{REF} = 1.25V$ ;  $C_L = 100pF$ , OS = AGND, code = 3FFF hex,  $T_A = +25^\circ C$ , unless otherwise noted.)

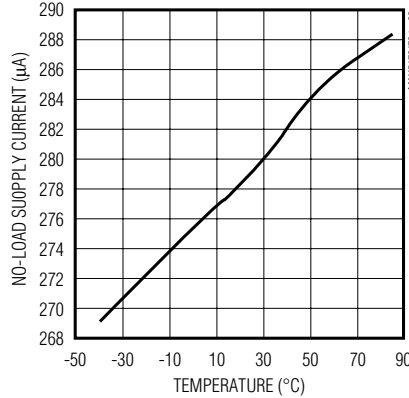
MAX5170/72

**NO-LOAD SUPPLY CURRENT vs. SUPPLY VOLTAGE**

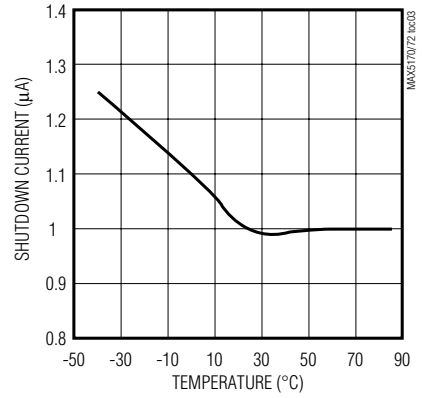


**MAX5170**

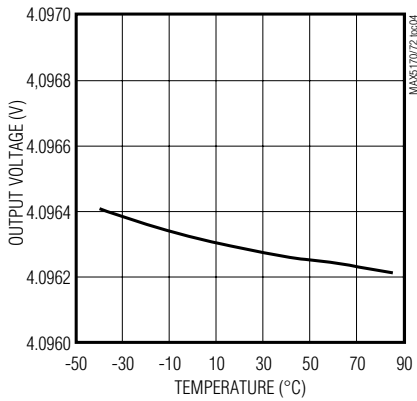
**NO-LOAD SUPPLY CURRENT vs. TEMPERATURE**



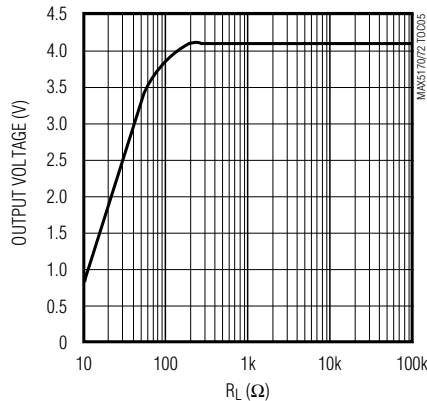
**SHUTDOWN SUPPLY CURRENT vs. TEMPERATURE**



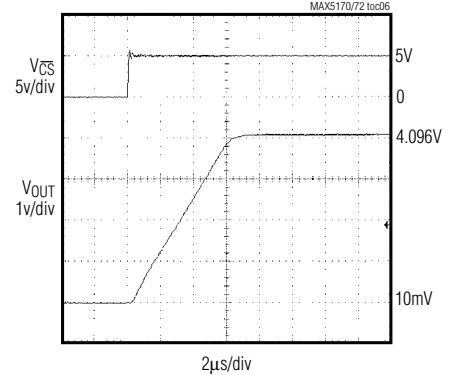
**OUTPUT VOLTAGE vs. TEMPERATURE**



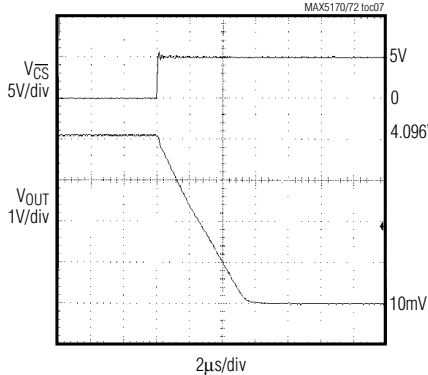
**OUTPUT VOLTAGE vs. LOAD RESISTANCE**



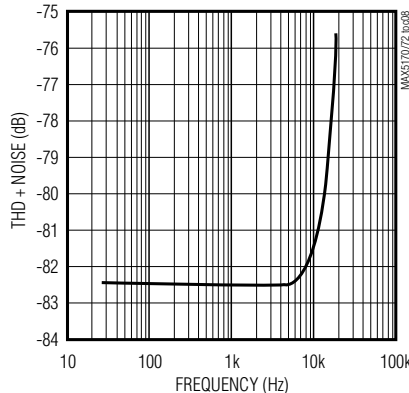
**DYNAMIC RESPONSE**



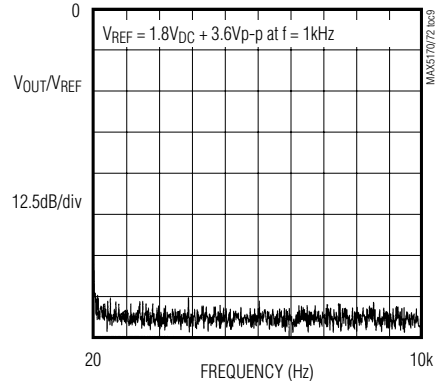
**DYNAMIC RESPONSE**



**TOTAL HARMONIC DISTORTION PLUS NOISE vs. FREQUENCY**



**REFERENCE FEEDTHROUGH**



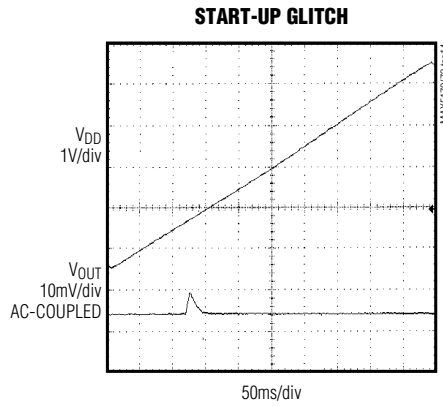
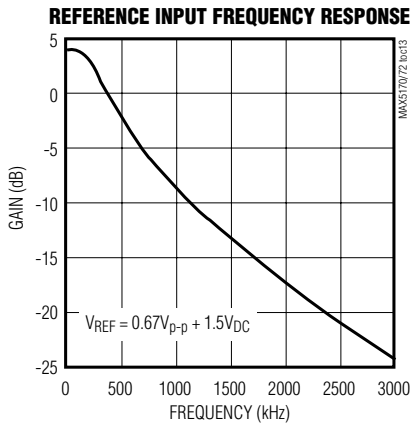
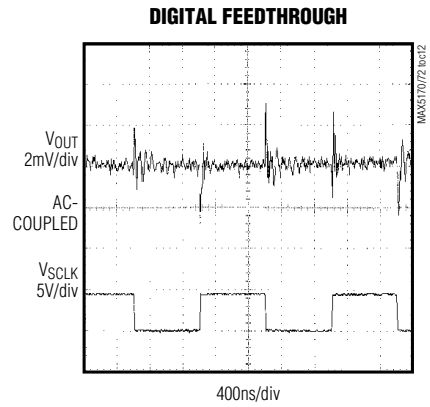
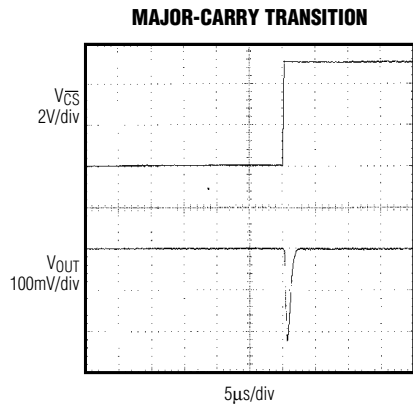
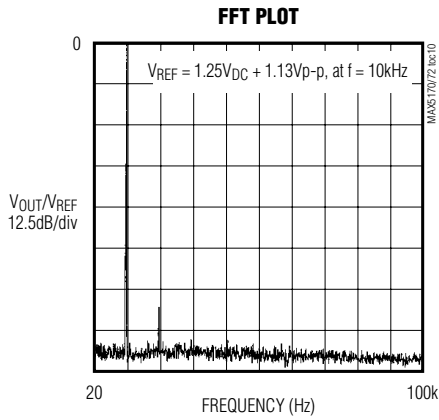
# Low-Power, Serial, 14-Bit DACs with Voltage Output

MAX5170/MAX5172

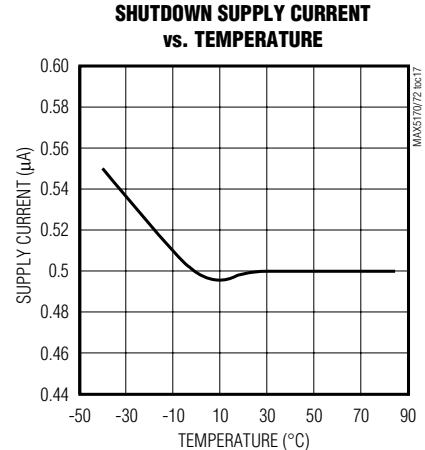
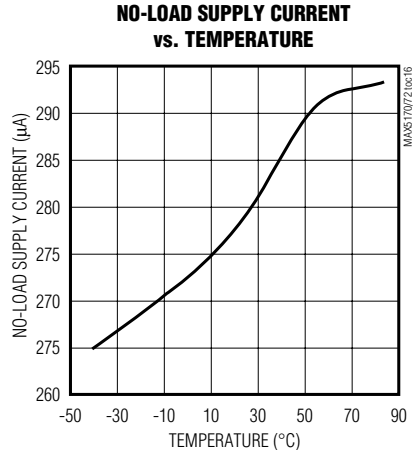
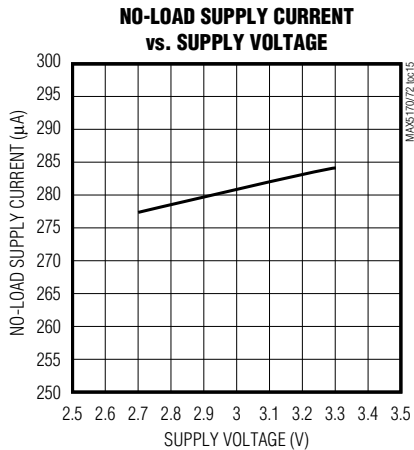
## Typical Operating Characteristics (continued)

(MAX5170:  $V_{DD} = +5V$ ,  $V_{REF} = 2.5V$ ; MAX5172:  $V_{DD} = +3V$ ,  $V_{REF} = 1.25V$ ;  $C_L = 100pF$ , OS = AGND, code = 3FFF hex,  $T_A = +25^\circ C$ , unless otherwise noted.)

### MAX5170



### MAX5172





# Low-Power, Serial, 14-Bit DACs with Voltage Output

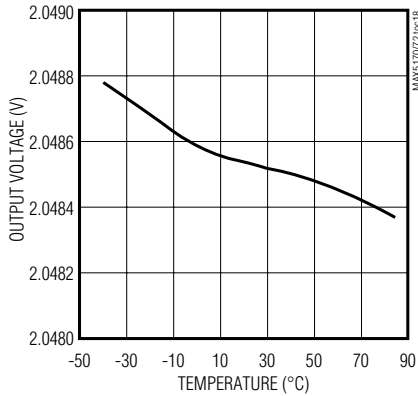
MAX5170/MAX5172

## Typical Operating Characteristics (continued)

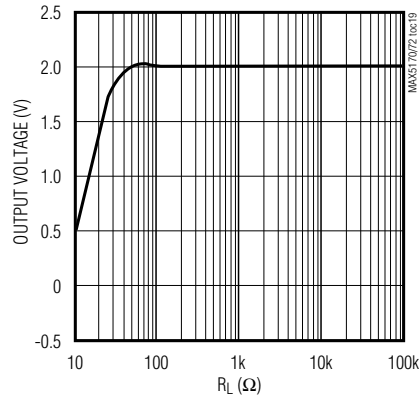
(MAX5170:  $V_{DD} = +5V$ ,  $V_{REF} = 2.5V$ ; MAX5172:  $V_{DD} = +3V$ ,  $V_{REF} = 1.25V$ ;  $C_L = 100pF$ , OS = AGND, code = 3FFF hex,  $T_A = +25^\circ C$ , unless otherwise noted.)

### MAX5172

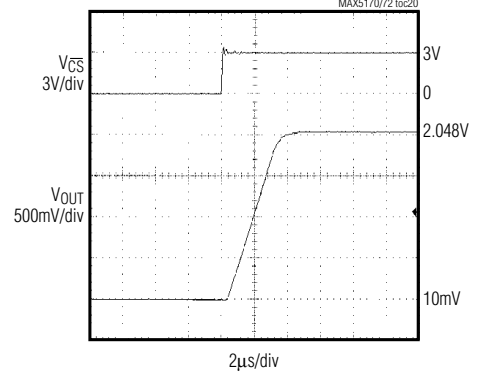
**OUTPUT VOLTAGE vs. TEMPERATURE**



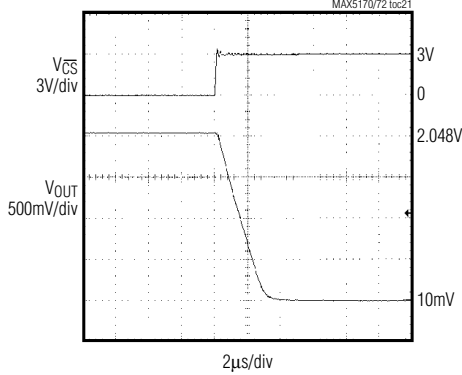
**OUTPUT VOLTAGE vs. LOAD RESISTANCE**



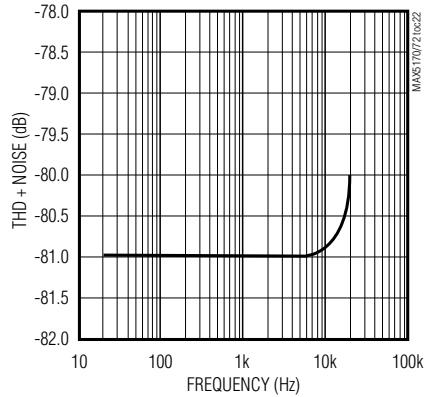
**DYNAMIC RESPONSE**



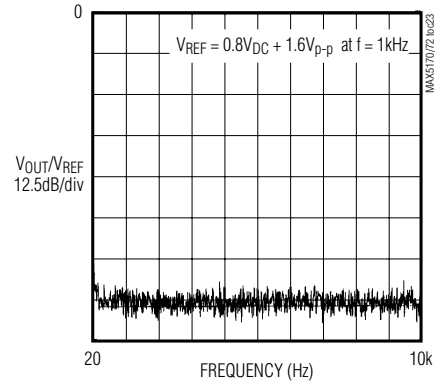
**DYNAMIC RESPONSE**



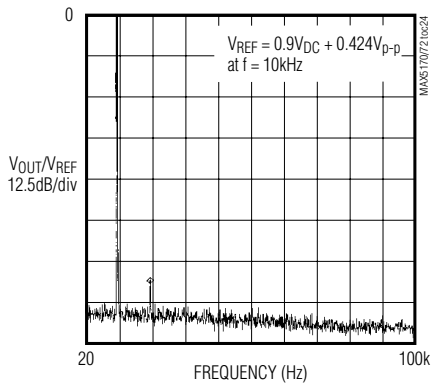
**TOTAL HARMONIC DISTORTION PLUS NOISE vs. FREQUENCY**



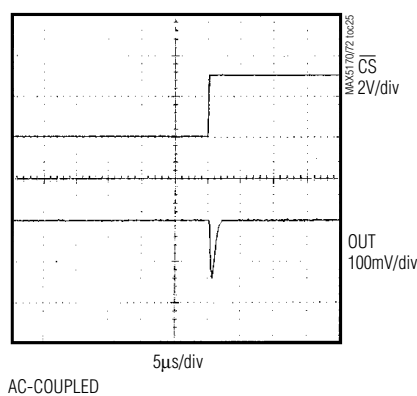
**REFERENCE FEEDTHROUGH**



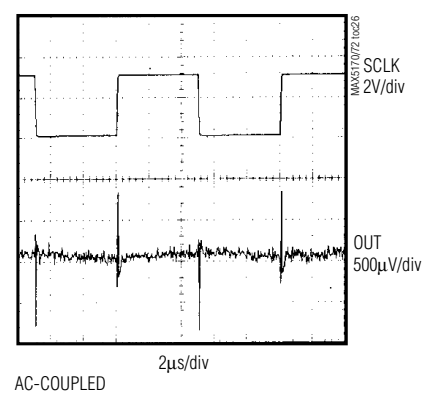
**FFT PLOT**



**MAJOR-CARRY TRANSITION**



**DIGITAL FEEDTHROUGH (SCLK, OUT)**

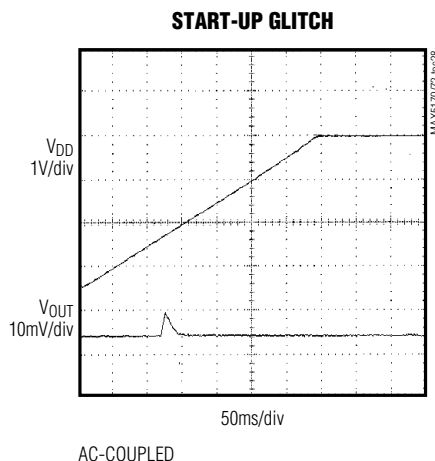
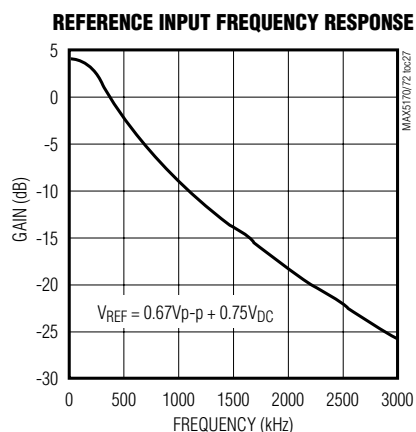


# Low-Power, Serial, 14-Bit DACs with Voltage Output

## Typical Operating Characteristics (continued)

(MAX5170:  $V_{DD} = +5V$ ,  $V_{REF} = 2.5V$ ; MAX5172:  $V_{DD} = +3V$ ,  $V_{REF} = 1.25V$ ;  $C_L = 100pF$ ,  $OS = GND$ , code = 3FFF hex,  $T_A = +25^\circ C$ , unless otherwise noted.)

### MAX5172



MAX5170/MAX5172

## Pin Description

PIN	NAME	FUNCTION
1	OS	Offset Adjustment. Connect to AGND for no offset.
2	OUT	Voltage Output. High impedance when in shutdown. The output voltage is limited to $V_{DD}$ .
3	RS	Reset Mode Select (digital input). Connect to $V_{DD}$ to select midscale reset output voltage. Connect to DGND to select 0 reset output voltage.
4	$\overline{PDL}$	Power-Down Lockout (digital input). Connect to $V_{DD}$ to allow shutdown. Connect to DGND to disable software and hardware shutdown.
5	$\overline{CLR}$	Clear DAC (digital input). Clears the DAC to either zero or midscale as determined by RS.
6	$\overline{CS}$	Chip Select Input (digital input). DIN ignored when $\overline{CS}$ is high.
7	DIN	Serial-Data Input (digital input). Data is clocked in on the rising edge of SCLK.
8	SCLK	Serial Clock Input (digital input)
9	DGND	Digital Ground
10	DOUT	Serial-Data Output
11	UPO	User-Programmable Output. State is set by the serial input.
12	SHDN	Shutdown (digital input). Pulling SHDN high when $\overline{PDL} = V_{DD}$ places the chip in shutdown with a maximum shutdown current of $10\mu A$ .
13	AGND	Analog Ground
14	REF	Reference Input. Maximum $V_{REF}$ is $V_{DD} - 1.4V$ .
15	N.C.	No Connection
16	$V_{DD}$	Positive Supply. Bypass to AGND with a $4.7\mu F$ capacitor in parallel with a $0.1\mu F$ capacitor.

# Low-Power, Serial, 14-Bit DACs with Voltage Output

MAX5170/MAX5172

## Detailed Description

The MAX5170/MAX5172 14-bit, serial, voltage-output DACs operate with a 3-wire serial interface. These devices include a 16-bit shift register and a double-buffered input composed of an input register and a DAC register (see *Functional Diagram*). In addition, these devices employ a rail-to-rail output amplifier and internally trimmed resistors to provide a gain of +1.638V/V, maximizing the output voltage swing. The MAX5170/MAX5172's offset adjust pin allows for a DC shift in the DAC output. The DACs are designed with an inverted R-2R ladder network (Figure 1) which produces a weighted voltage proportional to the reference voltage.

### Reference Inputs

The reference input accepts both AC and DC values with a voltage range extending from 0 to  $V_{DD} - 1.4V$ . The following equation represents the resulting output voltage:

$$V_{OUT} = \frac{V_{REF} \times N \times \text{Gain}}{16384}$$

where N is the numeric value of the DAC's binary input code (0 to 16383),  $V_{REF}$  is the reference voltage, and Gain is the internal set voltage gain (+1.638V/V if OS = AGND). The maximum output voltage is  $V_{DD}$ . The reference pin has a minimum impedance of 18k $\Omega$  and is code dependent.

### Output Amplifier

With OS connected to AGND, the output amplifier employs an internal, trimmed resistor-divider setting the gain to +1.638V/V and minimizing gain error. The output amplifier has a typical slew rate of 0.6V/ $\mu$ s and settles to  $\pm 0.5$ LSB from a full-scale transition within 18 $\mu$ s, when loaded with 5k $\Omega$  in parallel with 100pF. Loads less than 2k $\Omega$  degrade performance.

For alternative output amplifier setups, refer to the *Applications Information* section.

### Shutdown Mode

The MAX5170/MAX5172 feature a software- and hardware-programmable shutdown mode that reduces the typical supply current to 1 $\mu$ A. Enter shutdown by writing the appropriate input-control word as shown in Table 1 or by using the hardware shutdown. In shutdown mode, the reference input and the amplifier output become high-impedance and the serial interface remains active. Data in the input register is saved, allowing the MAX5170/MAX5172 to recall the prior output state when returning to normal operation. Exit shutdown by

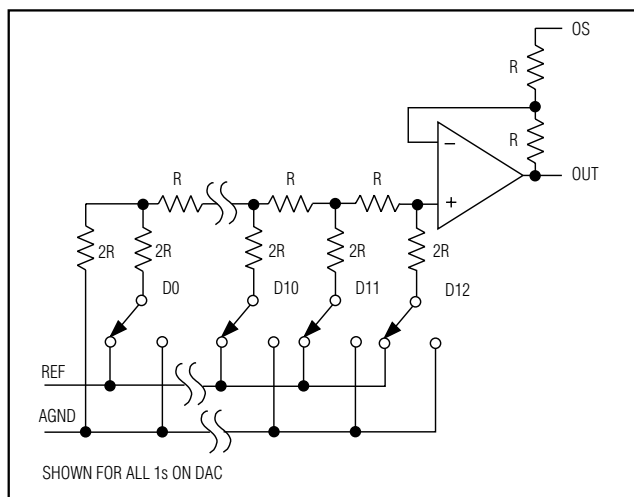


Figure 1. Simplified DAC Circuit Diagram

reloading the DAC register from the shift register, by simultaneously loading the input and DAC registers, or by toggling  $\overline{PDL}$ . When returning from shutdown, wait 40 $\mu$ s for the output to settle.

### Power-Down Lockout

Power-Down Lockout disables the software/hardware shutdown mode. A high-to-low transition brings the device out of shutdown and returns the output to its previous state.

### Shutdown

Pulling SHDN high while  $\overline{PDL}$  is high places the MAX5170/MAX5172 in shutdown. Pulling SHDN low will not return the device to normal operation. A high-to-low transition on  $\overline{PDL}$  or an appropriate command from the serial data line (see Table 1 for commands) is required to exit shutdown.

### Serial-Interface

The MAX5170/MAX5172 3-wire serial interface is compatible with SPI, QSPI (Figure 2) and MICROWIRE (Figure 3) interface standards. The 16-bit serial input word consists of two control bits and 14 bits of data (MSB to LSB).

The control bits determine the MAX5170/MAX5172's operation as outlined in Table 1. The MAX5170/MAX5172's digital inputs are double buffered, which allows any of the following:

- Loading the input register without updating the DAC register
- Updating the DAC register from the input register
- Updating the input and DAC registers simultaneously.

# Low-Power, Serial, 14-Bit DACs with Voltage Output

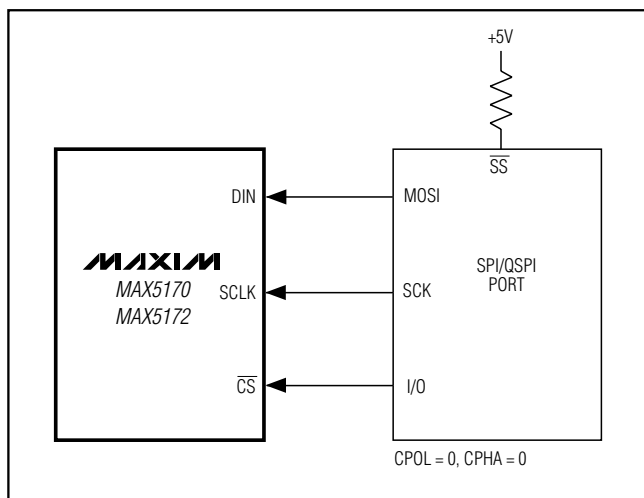


Figure 2. Connections for SPI and QSPI Interface

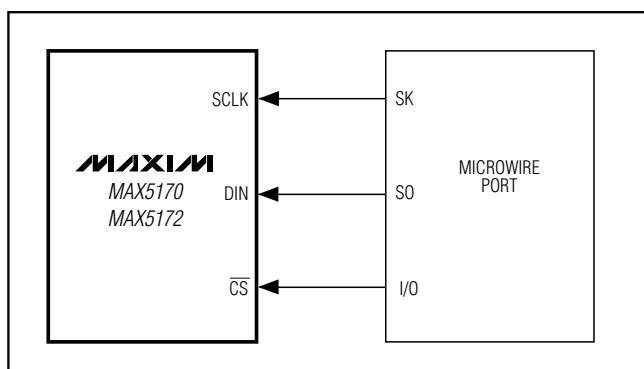


Figure 3. Connections for MICROWIRE Interface Standards

The MAX5170/MAX5172 accepts one 16-bit packet or two 8-bit packets sent while  $\overline{CS}$  remains low. The MAX5170/MAX5172 allow the following to be configured:

- Clock edge on which serial data output (DOUT) is clocked out
- State of the user-programmable logic output
- Configuration of the reset state.

Specific commands for setting these are shown in Table 1.

The general timing diagram in Figure 4 illustrates how the MAX5170/MAX5172 acquire data.  $\overline{CS}$  must go low at least  $t_{CS}$  before the rising edge of the serial clock (SCLK). With  $\overline{CS}$  low, data is clocked into the register on the rising edge of SCLK. The maximum serial clock frequency guaranteed for proper operation is 10MHz for MAX5170 and 6MHz for MAX5172. See Figure 5 for a detailed timing diagram of the serial interface.

### Serial Data Output (DOUT)

The serial-data output, DOUT, is the internal shift register's output and allows for daisy-chaining of multiple devices as well as data readback (see *Applications Information*). By default upon start-up, data shifts out of DOUT on the serial clock's rising edge (Mode 0) and provides a lag of 16 clock cycles, thus maintaining SPI, QSPI, and MICROWIRE compatibility. However, if the device is programmed for Mode 1, the output data lags DIN by 16.5 clock cycles and is clocked out on the serial clock's rising edge. During shutdown, DOUT retains its last digital state prior to shutdown.

Table 1. Serial-Interface Programming Commands

16-BIT SERIAL WORD			FUNCTION
C1	C0	D13.....D0	
0	0	14-bit DAC data	Load input register; DAC registers are unchanged.
0	1	14-bit DAC data	Load input register; DAC registers are updated (start-up DAC with new data).
1	0	x x x xxx xxxx xxxx	Update DAC register from input register (start-up DAC with data previously stored in the input registers).
1	1	0 0 x xxx xxxx xxxx	No operation (NOP).
1	1	0 1 x xxx xxxx xxxx	Shut down DAC (provided $\overline{PDL} = 1$ ).
1	1	1 0 0 xxx xxxx xxxx	UPO goes low (default).
1	1	1 0 1 xxx xxxx xxxx	UPO goes high.
1	1	1 1 0 xxx xxxx xxxx	Mode 1, DOUT clocked out on SCLK's rising edge.
1	1	1 1 1 xxx xxxx xxxx	Mode 0, DOUT clocked out on SCLK's falling edge (default).

# Low-Power, Serial, 14-Bit DACs with Voltage Output

MAX5170/MAX5172

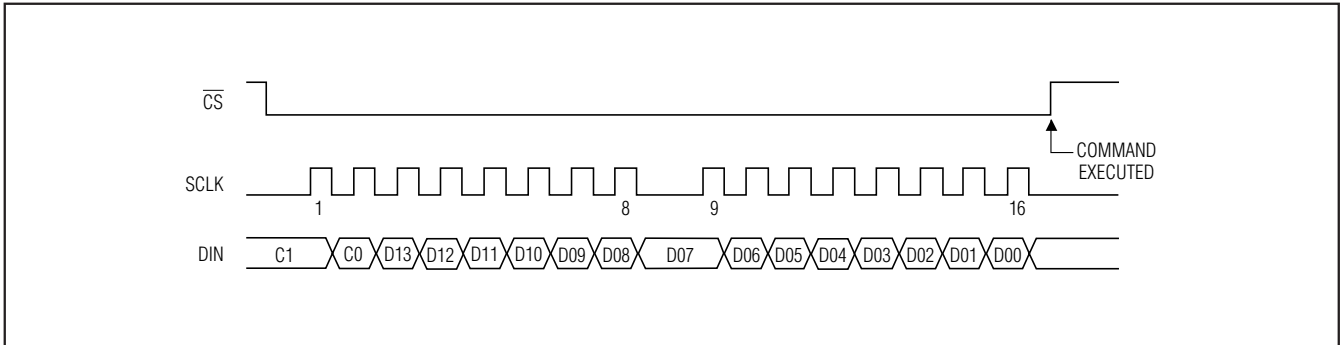


Figure 4. Serial-Interface Timing Diagram

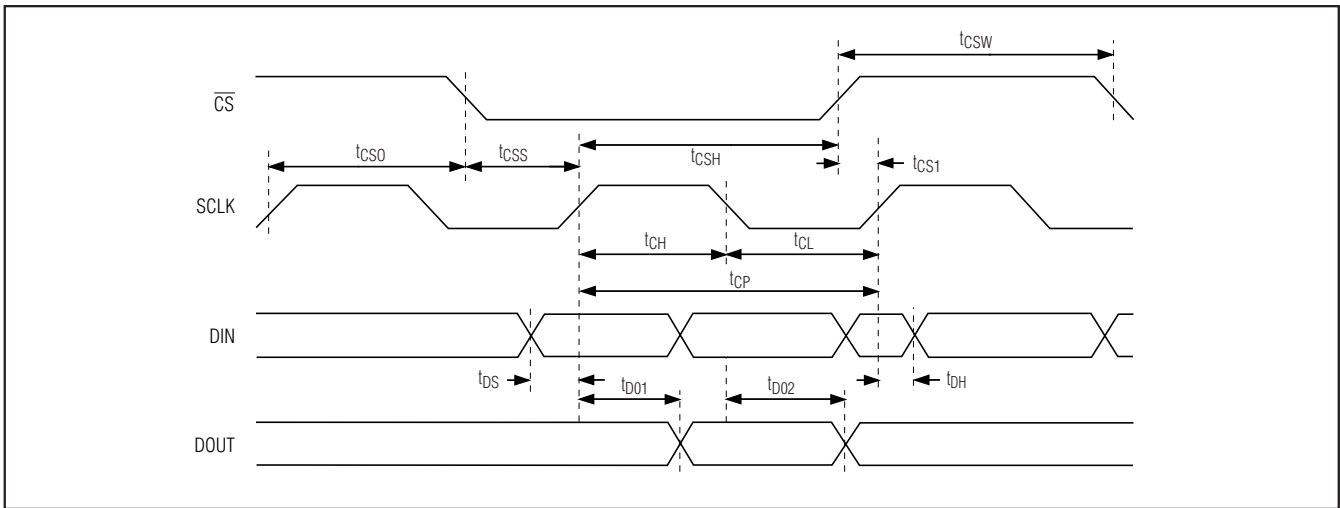


Figure 5. Detailed Serial-Interface Timing Diagram

## User-Programmable Logic Output (UPO)

The UPO allows control of an external device through the serial interface, thereby reducing the number of microcontroller I/O pins required. During power-down, this output retains its digital state prior to shutdown. When  $\overline{\text{CLR}}$  is pulled low, UPO resets to its programmed default state. See Table 1 for specific commands to control the UPO.

## Reset (RS) and Clear (CLR)

The MAX5170/MAX5172 offers a clear pin which resets the output voltage. If RS = DGND, then  $\overline{\text{CLR}}$  resets the output voltage to the minimum voltage (0 if OS = AGND). If RS = VDD, then  $\overline{\text{CLR}}$  resets the output voltage to midscale. In either case,  $\overline{\text{CLR}}$  resets UPO to its programmed default state.

# Low-Power, Serial, 14-Bit DACs with Voltage Output

## Applications Information

### Unipolar Output

Figure 6 shows the MAX5170/MAX5172 configured for unipolar, rail-to-rail operation with a gain of +1.638V/V. Table 2 lists the codes for unipolar output voltages. The maximum output voltage is limited to V<sub>DD</sub>. Use the OS pin to introduce an offset voltage as shown in Figure 7 and described in the *Offset and Buffer Configurations* section.

### Bipolar Output

Figure 8 shows the MAX5170/MAX5172 configured for bipolar output operation. The output voltage is given by the following equation (OS = AGND):

$$V_{OUT} = V_{REF} \left( \frac{2 \times N}{16,384} - 1 \right)$$

where N represents the numeric value of the DAC's binary input code, V<sub>REF</sub> is the voltage of the external reference. Table 3 shows digital codes and the corresponding output voltage for Figure 8's circuit.

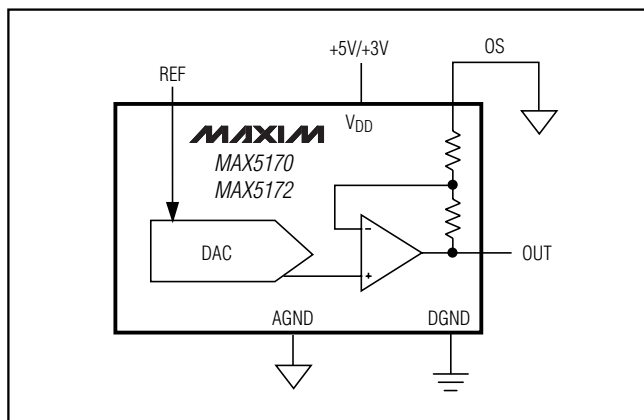


Figure 6. Unipolar Output Circuit (Rail-to-Rail)

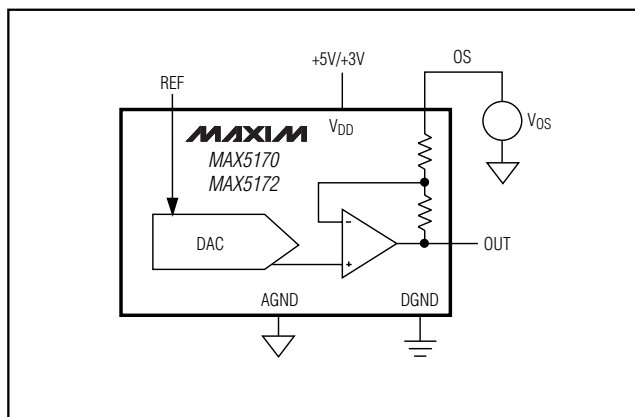


Figure 7. Setting OS for Output Offset

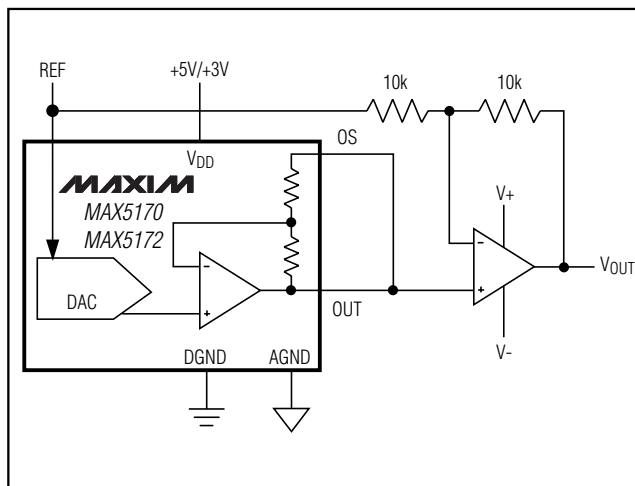


Figure 8. Bipolar Output Circuit

**Table 2. Unipolar Code Table (Circuit of Figure 6)**

DAC CONTENTS MSB	LSB	ANALOG OUTPUT
11	1111 1111 1111	+V <sub>REF</sub> (16383/16384) • 1.638
10	0000 0000 0001	+V <sub>REF</sub> (8193/16384) • 1.638
10	0000 0000 0000	+V <sub>REF</sub> (8192/16384) • 1.638
01	1111 1111 1111	+V <sub>REF</sub> (8191/16384) • 1.638
00	0000 0000 0001	+V <sub>REF</sub> (1/16384) • 1.638
00	0000 0000 0000	0

**Table 3. Bipolar Code Table (Circuit of Figure 8)**

DAC CONTENTS MSB	LSB	ANALOG OUTPUT
11	1111 1111 1111	+V <sub>REF</sub> [(2 • 16383/16384) - 1]
10	0000 0000 0001	+V <sub>REF</sub> [(2 • 8193/16384) - 1]
10	0000 0000 0000	+V <sub>REF</sub> [(2 • 8192/16384) - 1]
01	1111 1111 1111	+V <sub>REF</sub> [(2 • 8191/16384) - 1]
00	0000 0000 0001	+V <sub>REF</sub> [(2 • 1/16384) - 1]
00	0000 0000 0000	-V <sub>REF</sub>

# Low-Power, Serial, 14-Bit DACs with Voltage Output

## Offset and Buffer Configurations

The simple circuit of Figure 7 illustrates how to introduce an offset to the output voltage. The amount of offset introduced by a voltage at the OS pin is shown in the following equation:

$$V_{\text{OFFSET}} = V_{\text{OS}} \times (1 - \text{Gain})$$

where Gain = 1.638. However, the total output voltage of the device cannot exceed  $V_{\text{DD}}$  regardless of the voltage on the OS pin.

To set the gain of the output amplifier to 1, connect OS to OUT.

## Daisy-Chaining Devices

The serial data output pin (DOUT) allows multiple MAX5170/MAX5172s to be daisy-chained together, as shown in Figure 9. The advantage of this is that only two lines are needed to control all the DACs on the line. The disadvantage is that it takes  $n$  commands to program the DACs. Figure 10 shows several MAX5170/MAX5172s sharing one common DIN signal line. In this configuration, the data bus is common to all devices. However, more I/O lines are required for this configuration because each device requires a dedicated  $\overline{\text{CS}}$  line. The advantage of this configuration is that only one command is needed to program any DAC.

## Using an AC Reference

The MAX5170/MAX5172 accepts reference voltages with AC components as long as the reference voltage remains between 0 and  $V_{\text{DD}} - 1.4\text{V}$ . Figure 11 shows a technique for applying an offset sine wave signal to REF. The reference voltage must remain above AGND.

## Power-Supply and Layout Considerations

Wire-wrap boards are not recommended. For optimum system performance, use printed circuit boards with separate analog and digital ground planes. Connect the two ground planes together at the low-impedance power-supply source. Connect DGND and AGND pins together at the IC. The best ground connection is achieved by connecting the DAC's DGND and AGND pins together and connecting that point to the system analog ground plane. This is useful because if the DAC's DGND is connected to the system digital ground, digital noise may get through to the DAC's analog portion.

Bypass the power supply with a 4.7 $\mu\text{F}$  capacitor in parallel with a 0.1 $\mu\text{F}$  capacitor to AGND. Minimize their lead lengths to reduce inductance. If noise becomes an issue, use shielding and/or ferrite beads to increase isolation.

To maintain INL and DNL performance as well as gain drift, it is extremely important to provide the lowest possible reference output impedance at the DAC reference input pin. INL degrades if the series resistance on REF pin exceeds 0.1 $\Omega$ . The same consideration must be made for the AGND pin.

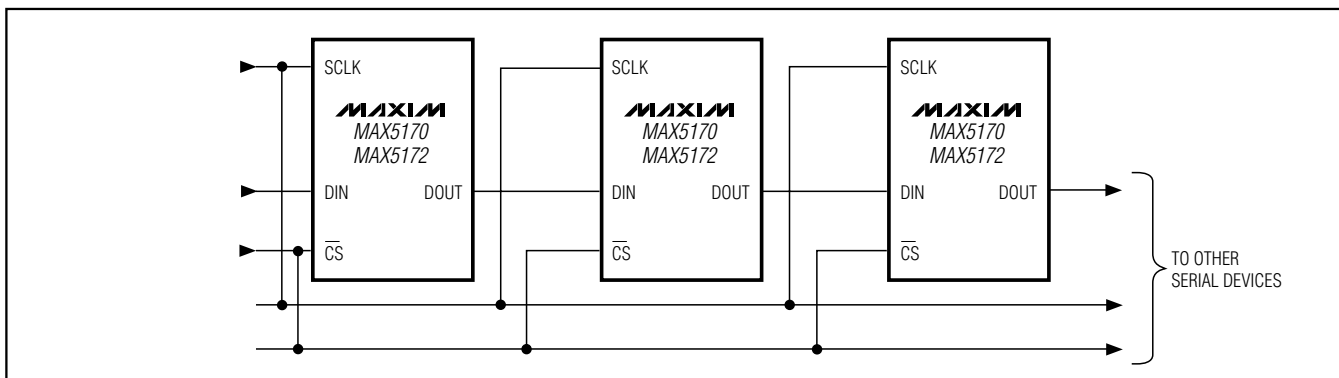


Figure 9. Daisy-Chaining MAX5170/MAX5172 Devices

# Low-Power, Serial, 14-Bit DACs with Voltage Output

**MAX5170/MAX5172**

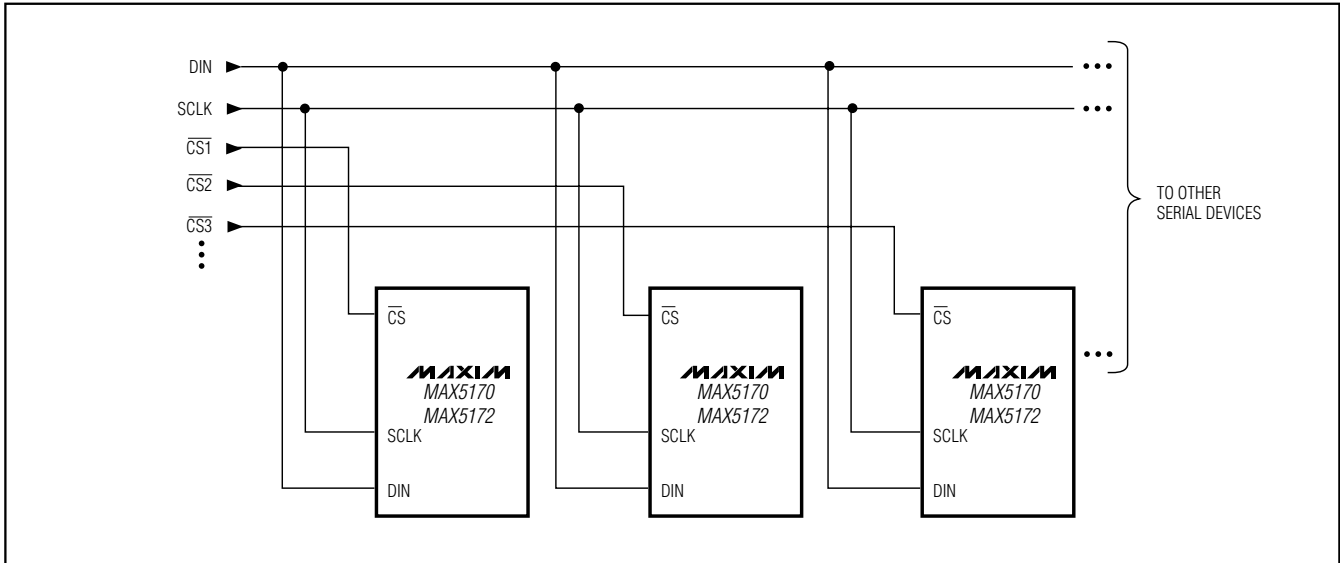


Figure 10. Multiple MAX5170/MAX5172s Sharing Common DIN and SCLK Lines

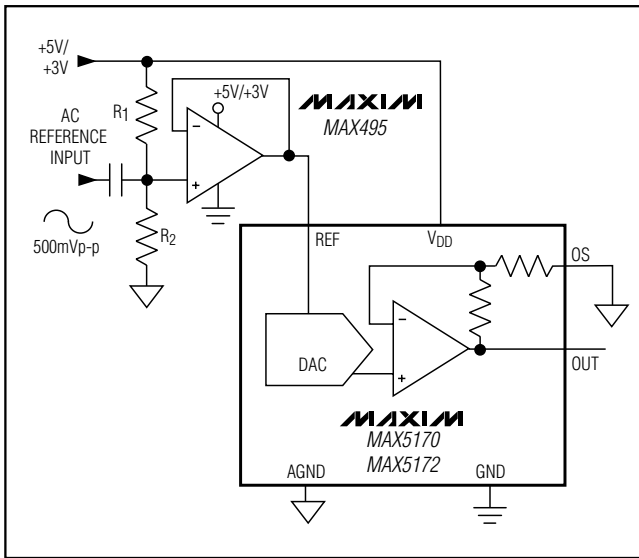


Figure 11. AC Reference Input Circuit

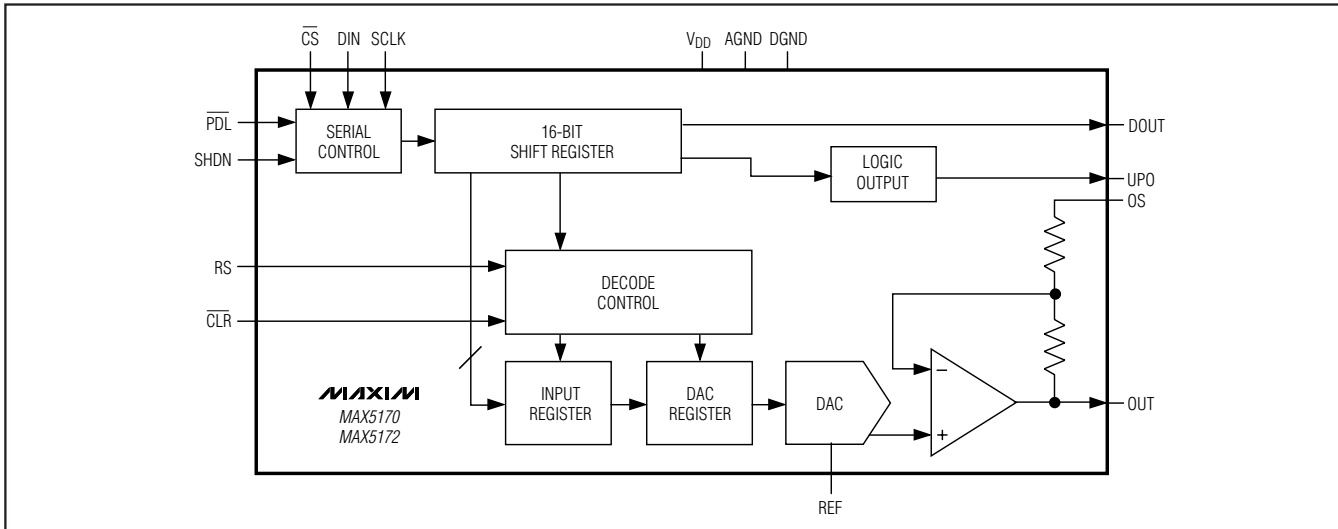
## Chip Information

TRANSISTOR COUNT: 3457



# Low-Power, Serial, 14-Bit DACs with Voltage Output

## Functional Diagram



## Package Information

(The package drawing(s) in this data sheet may not reflect the most current specifications. For the latest package outline information, go to [www.maxim-ic.com/packages](http://www.maxim-ic.com/packages).)

DIM	INCHES		MILLIMETERS	
	MIN	MAX	MIN	MAX
A	.061	.068	1.55	1.73
A1	.004	.0098	0.102	0.249
A2	.055	.061	1.40	1.55
B	.008	.012	0.20	0.31
C	.0075	.0098	0.191	0.249
D	SEE VARIATIONS			
E	.150	.157	3.81	3.99
e	.025 BSC		0.635 BSC	
H	.230	.244	5.84	6.20
h	.010	.016	0.25	0.41
L	.016	.035	0.41	0.89
N	SEE VARIATIONS			
X	SEE VARIATIONS			
Y	.071	.087	1.803	2.209
α	0°	8°	0°	8°

VARIATIONS:				
DIM	INCHES		MILLIMETERS	
	MIN.	MAX.	MIN.	MAX.
D	.189	.196	4.80	4.98
S	.0020	.0070	0.05	0.18
X	.107	.123	2.72	3.12
D	.337	.344	8.56	8.74
S	.0500	.0550	1.270	1.397
D	.337	.344	8.56	8.74
S	.0250	.0300	0.635	0.762
D	.386	.393	9.80	9.98
S	.0250	.0300	0.635	0.762
X	.271	.287	6.88	7.29

NOTES:  
 1. D & E DO NOT INCLUDE MOLD FLASH OR PROTRUSIONS.  
 2. MOLD FLASH OR PROTRUSIONS NOT TO EXCEED .006" PER SIDE.  
 3. HEAT SLUG DIMENSIONS X AND Y APPLY ONLY TO 16 AND 28 LEAD POWER-QSDP PACKAGES.  
 4. CONTROLLING DIMENSIONS: INCHES.  
 5. MEETS JEDEC MOI37.

**MAXIM**  
 PROPRIETARY INFORMATION  
 TITLE: PACKAGE OUTLINE, QSDP, .150", .025" LEAD PITCH  
 APPROVAL: \_\_\_\_\_ DOCUMENT CONTROL NO: 21-0055 REV: C 1/1

Maxim cannot assume responsibility for use of any circuitry other than circuitry entirely embodied in a Maxim product. No circuit patent licenses are implied. Maxim reserves the right to change the circuitry and specifications without notice at any time.

16 Maxim Integrated Products, 120 San Gabriel Drive, Sunnyvale, CA 94086 408-737-7600