



Chipsmall Limited consists of a professional team with an average of over 10 year of expertise in the distribution of electronic components. Based in Hongkong, we have already established firm and mutual-benefit business relationships with customers from,Europe,America and south Asia,supplying obsolete and hard-to-find components to meet their specific needs.

With the principle of "Quality Parts,Customers Priority,Honest Operation,and Considerate Service",our business mainly focus on the distribution of electronic components. Line cards we deal with include Microchip,ALPS,ROHM,Xilinx,Pulse,ON,Everlight and Freescale. Main products comprise IC,Modules,Potentiometer,IC Socket,Relay,Connector.Our parts cover such applications as commercial,industrial, and automotives areas.

We are looking forward to setting up business relationship with you and hope to provide you with the best service and solution. Let us make a better world for our industry!



Contact us

Tel: +86-755-8981 8866 Fax: +86-755-8427 6832

Email & Skype: info@chipsmall.com Web: www.chipsmall.com

Address: A1208, Overseas Decoration Building, #122 Zhenhua RD., Futian, Shenzhen, China



MAX6326/MAX6327/ MAX6328/MAX6346/ MAX6347/MAX6348

3-Pin, Ultra-Low-Power SC70/SOT µP Reset Circuits

General Description

The MAX6326/MAX6327/MAX6328/MAX6346/MAX6347/MAX6348 microprocessor (µP) supervisory circuits monitor the power supplies in µP and digital systems. These devices provide excellent circuit reliability and low cost by eliminating external components and adjustments when used with 2.5V, 3V, 3.3V, and 5V powered circuits.

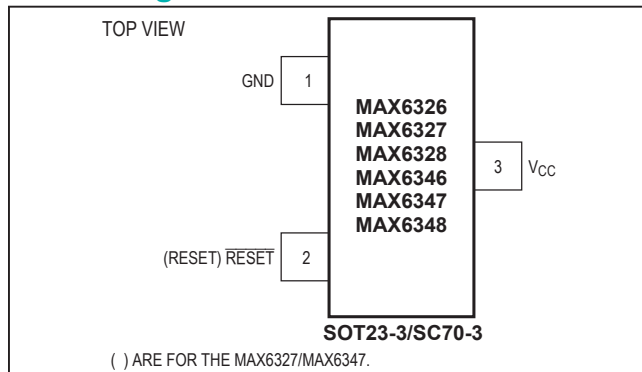
These circuits perform a single function: they assert a reset signal whenever the V_{CC} supply voltage declines below a preset threshold, keeping it asserted for at least 100ms after V_{CC} has risen above the reset threshold. The only difference between the devices is their output. The MAX6326/MAX6346 (push-pull) and MAX6328/MAX6348 (open-drain) have an active-low reset output. The MAX6327/MAX6347 have an active-high push-pull reset output. All of these parts are guaranteed to be in the correct state for V_{CC} down to 1V. The reset comparator is designed to ignore fast transients on V_{CC} . Reset thresholds are factory-trimmable between 2.2V and 4.63V, in approximately 100mV increments. Twenty-one standard versions are available. Contact the factory for availability of nonstandard versions.

Ultra-low supply currents (1µA max for the MAX6326/MAX6327/MAX6328) make these parts ideal for use in portable equipment. All six devices are available in space-saving SOT23 and SC70 packages.

Applications

- Computers
- Intelligent Instruments
- Controllers
- Critical µP and µC
- Power Monitoring
- Portable/Battery-Powered Equipment

Pin Configuration



Features

- Ultra-Low 1µA (max) Supply Current (MAX6326/MAX6327/MAX6328)
- Precision Monitoring of 2.5V, 3V, 3.3V, and 5V Power-Supply Voltages
- Reset Thresholds Available from 2.2V to 4.63V
- Fully Specified Over Temperature
- 100ms (min) Power-On Reset Pulse Width
- Low Cost
- Available in Three Versions: Push-Pull $\overline{\text{RESET}}$, Push-Pull RESET, and Open-Drain $\overline{\text{RESET}}$
- Power-Supply Transient Immunity
- No External Components
- 3-Pin SC70/SOT23 Packages
- Pin Compatible with MAX803/MAX809/MAX810

Ordering Information

PART†	TEMP. RANGE	PIN-PACKAGE
MAX6326XR__-T	-40°C to +85°C	3 SC70-3
MAX6326UR__-T	-40°C to +85°C	3 SOT23-3
MAX6327XR__-T	-40°C to +85°C	3 SC70-3
MAX6327UR__-T	-40°C to +85°C	3 SOT23-3
MAX6328XR__-T	-40°C to +85°C	3 SC70-3
MAX6328UR__-T	-40°C to +85°C	3 SOT23-3
MAX6346XR__-T	-40°C to +85°C	3 SC70-3
MAX6346UR__-T	-40°C to +85°C	3 SOT23-3
MAX6347XR__-T	-40°C to +85°C	3 SC70-3
MAX6347UR__-T	-40°C to +85°C	3 SOT23-3
MAX6348XR__-T	-40°C to +85°C	3 SC70-3
MAX6348UR__-T	-40°C to +85°C	3 SOT23-3

†The MAX6326/MAX6327/MAX6328/MAX6346/MAX6347/MAX6348 are available in factory-set V_{CC} reset thresholds from 2.2V to 4.63V, in approximately 0.1V increments. Choose the desired reset-threshold suffix from Table 1 and insert it in the blank spaces following "R". There are 21 standard versions with a required order increment of 2500 pieces. Sample stock is generally held on the standard versions only (see the Selector Guide). Required order increment is 10,000 pieces for nonstandard versions (Table 2). Contact factory for availability. All devices available in tape-and-reel only. Devices are available in both leaded and lead-free packaging. Specify lead-free by replacing "-T" with "+T" when ordering.

Selector Guide appears at end of data sheet.



MAX6326/MAX6327/
MAX6328/MAX6346/
MAX6347/MAX6348

3-Pin, Ultra-Low-Power SC70/SOT
μP Reset Circuits

Absolute Maximum Ratings

Terminal Voltage (with respect to GND)

V _{CC}	-0.3V to +6V
RESET, $\overline{\text{RESET}}$ (push-pull).....	-0.3V to (V _{CC} + 0.3V)
$\overline{\text{RESET}}$ (open drain).....	-0.3V to +6V
Input Current (V _{CC}).....	20mA
Output Current (RESET, $\overline{\text{RESET}}$).....	20mA
Rate of Rise (V _{CC}).....	100V/μs

Continuous Power Dissipation (T_A = +70°C)

3-Pin SC70 (derate 2.7mW/°C above +70°C).....	174mW
3-Pin SOT23 (derate 4mW/°C above +70°C).....	320mW
Operating Temperature Range.....	-40°C to +85°C
Storage Temperature Range.....	-65°C to +150°C
Lead Temperature (soldering, 10s).....	+300°C

Stresses beyond those listed under "Absolute Maximum Ratings" may cause permanent damage to the device. These are stress ratings only, and functional operation of the device at these or any other conditions beyond those indicated in the operational sections of the specifications is not implied. Exposure to absolute maximum rating conditions for extended periods may affect device reliability.

Electrical Characteristics

(V_{CC} = full range, T_A = -40°C to +85°C, unless otherwise noted. Typical values are at T_A = +25°C and V_{CC} = 3V.) (Note 1)

PARAMETER	SYMBOL	CONDITIONS		MIN	TYP	MAX	UNITS
V _{CC} Range		T _A = 0°C to +70°C		1.0		5.5	V
		T _A = -40°C to +85°C		1.2		5.5	
Supply Current	I _{CC}	MAX632_ only, V _{CC} = 3.0V for V _{TH} ≤ 2.93V, V _{CC} = 3.2V for V _{TH} > 2.93V, no load			0.5	1.0	μA
		V _{CC} = 5.5V, no load			1.0	1.75	
Reset Threshold	V _{TH}	Table 1	T _A = +25°C	V _{TH} - 1.5%	V _{TH}	V _{TH} + 1.5%	V
			T _A = -40°C to +85°C	V _{TH} - 2.5%	V _{TH}	V _{TH} + 2.5%	
Reset Threshold Tempco	ΔV _{TH} /°C				40		ppm/°C
V _{CC} to Reset Delay		V _{CC} = V _{TH} to (V _{TH} - 100mV)			20		μs
Reset Active Timeout Period				100	185	280	ms
$\overline{\text{RESET}}$ Output Voltage (MAX6326/MAX6328/MAX6346/MAX6348)	V _{OL}	I _{SINK} = 1.6mA, V _{CC} > 2.1V, reset asserted				0.3	V
		I _{SINK} = 100μA, V _{CC} ≥ 1.2V, reset asserted				0.4	
$\overline{\text{RESET}}$ Output Voltage (MAX6326/MAX6346)	V _{OH}	I _{SOURCE} = 500μA, V _{CC} = 3.2V, MAX6326 only		0.8 · V _{CC}			V
		I _{SOURCE} = 800μA, V _{CC} = 4.5V, V _{TH} ≤ 4.38V		0.8 · V _{CC}			
		I _{SOURCE} = 800μA, V _{CC} = V _{TH} (MAX), V _{TH} ≥ 4.5V		0.8 · V _{CC}			
RESET Output Voltage (MAX6327/MAX6347)	V _{OH}	I _{SOURCE} = 500μA, V _{CC} ≥ 2.1V, reset asserted		0.8 · V _{CC}			V
		I _{SOURCE} = 50μA, V _{CC} ≥ 1.2V, reset asserted		0.8 · V _{CC}			
	V _{OL}	I _{SINK} = 1.2mA, V _{CC} ≥ 3.2V, reset not asserted, MAX6327 only				0.3	
		I _{SINK} = 3.2mA, V _{CC} ≥ 4.5V, reset not asserted, V _{TH} ≤ 4.38V				0.4	
		I _{SINK} = 3.2mA, V _{CC} = V _{TH} (MAX), V _{TH} ≥ 4.5V				0.4	
RESET Threshold Hysteresis		MAX6326/MAX6327/MAX6328			6.3		mV
		MAX6346/MAX6347/MAX6348			9.5		
Open-Drain $\overline{\text{RESET}}$ Output Leakage Current						0.1	μA

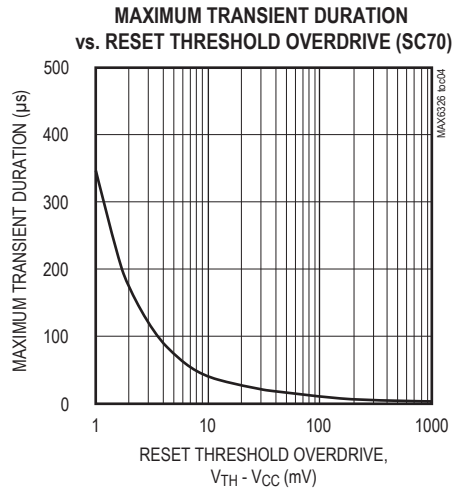
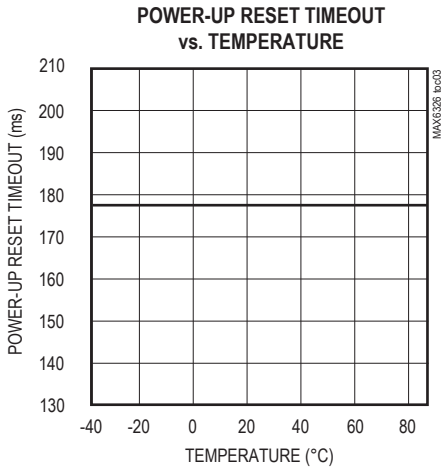
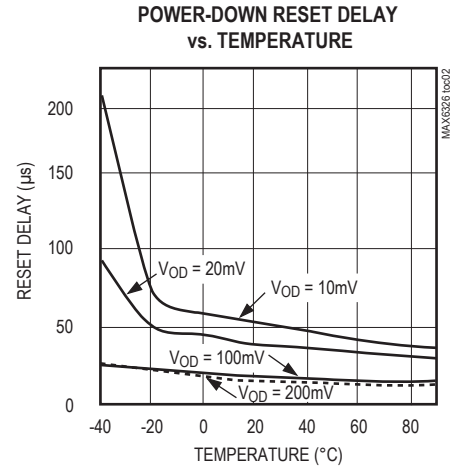
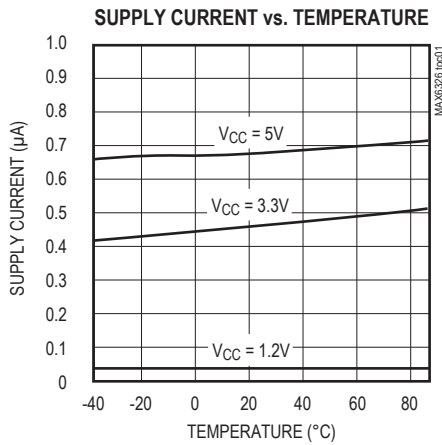
Note 1: Overtemperature limits are guaranteed by design and not production tested.

MAX6326/MAX6327/
MAX6328/MAX6346/
MAX6347/MAX6348

3-Pin, Ultra-Low-Power SC70/SOT
μP Reset Circuits

Typical Operating Characteristics

(T_A = +25°C, unless otherwise noted.)



Pin Description

PIN		NAME	FUNCTION
MAX6326/MAX6346 MAX6328/MAX6348	MAX6327 MAX6347		
1	1	GND	Ground
2	—	$\overline{\text{RESET}}$	Active-Low Reset Output. $\overline{\text{RESET}}$ remains low while V _{CC} is below the reset threshold and for at least 100ms after V _{CC} rises above the reset threshold. $\overline{\text{RESET}}$ is open-drain on the MAX6328/MAX6348 and push-pull on the MAX6326/MAX6346.
—	2	RESET	Active-High Reset Output. RESET remains high while V _{CC} is below the reset threshold and for at least 100ms after V _{CC} rises above the reset threshold.
3	3	V _{CC}	Supply Voltage

MAX6326/MAX6327/
 MAX6328/MAX6346/
 MAX6347/MAX6348

3-Pin, Ultra-Low-Power SC70/SOT μ P Reset Circuits

Applications Information

Interfacing to μ Ps with Bidirectional Reset Pins

Since the $\overline{\text{RESET}}$ output on the MAX6328/MAX6348 is open drain, these devices interface easily with microprocessors (μ Ps) that have bidirectional reset pins, such as the Motorola 68HC11. Connecting the μ P supervisor's $\overline{\text{RESET}}$ output directly to the microcontroller's (μ C's) $\overline{\text{RESET}}$ pin with a single pull-up resistor allows either device to assert reset (Figure 1).

Negative-Going V_{CC} Transients

In addition to issuing a reset to the μ P during power-up, power-down, and brownout conditions, these devices are relatively immune to short-duration, negative-going V_{CC} transients (glitches).

The *Typical Operating Characteristics* show the Maximum Transient Duration vs. Reset Threshold Overdrive graph, for which reset pulses are not generated. The graph shows the maximum pulse width that a negative-going V_{CC} transient may typically have when issuing a reset signal. As the amplitude of the transient increases, the maximum allowable pulse width decreases.

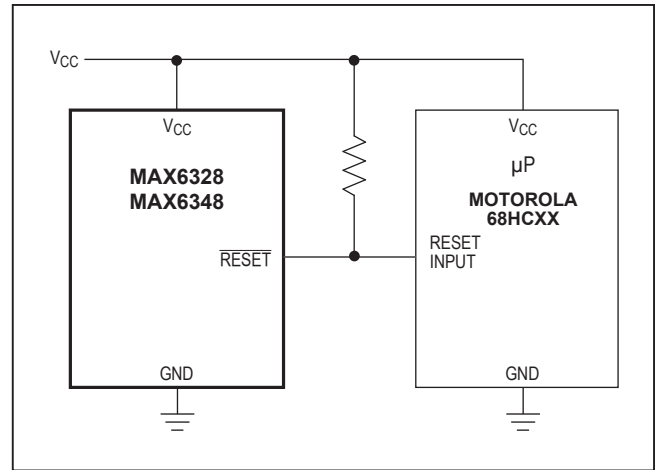


Figure 1. Interfacing to μ Ps with Bidirectional Reset Pins

Table 1. Factory-Trimmed Reset Thresholds \ddagger

PART	SUFFIX	RESET THRESHOLD VOLTAGE, V_{TH} (V)				
		$T_A = +25^\circ\text{C}$			$T_A = -40^\circ\text{C to } +85^\circ\text{C}$	
		MIN	TYP	MAX	MIN	MAX
MAX632__R	22	2.167	2.200	2.233	2.145	2.250
MAX632__R	23	2.285	2.320	2.355	2.262	2.375
MAX632__R	24	2.364	2.400	2.436	2.340	2.460
MAX632__R	25	2.462	2.500	2.537	2.437	2.562
MAX632__R	26	2.591	2.630	2.669	2.564	2.696
MAX632__R	27	2.660	2.700	2.741	2.633	2.768
MAX632__R	28	2.758	2.800	2.842	2.730	2.870
MAX632__R	29	2.886	2.930	2.974	2.857	3.000
MAX632__R	30	2.955	3.000	3.045	2.925	3.075
MAX632__R	31	3.034	3.080	3.126	3.003	3.150
MAX634__R	33	3.250	3.300	3.350	3.217	3.383
MAX634__R	34	3.349	3.400	3.451	3.315	3.485
MAX634__R	35	3.447	3.500	3.552	3.412	3.587
MAX634__R	36	3.546	3.600	3.654	3.510	3.690
MAX634__R	37	3.644	3.700	3.755	3.607	3.792
MAX634__R	38	3.743	3.800	3.857	3.705	3.895

\ddagger Factory-trimmed reset thresholds are available in approximately 100mV increments with a 1.5% room-temperature variance.

MAX6326/MAX6327/
MAX6328/MAX6346/
MAX6347/MAX6348

3-Pin, Ultra-Low-Power SC70/SOT
µP Reset Circuits

Table 1. Factory-Trimmed Reset Thresholds‡ (continued)

PART	SUFFIX	RESET THRESHOLD VOLTAGE, V _{TH} (V)				
		T _A = +25°C			T _A = -40°C to +85°C	
		MIN	TYP	MAX	MIN	MAX
MAX634__R	39	3.841	3.900	3.958	3.802	3.997
MAX634__R	40	3.940	4.000	4.060	3.900	4.100
MAX634__R	41	4.038	4.100	4.161	3.997	4.202
MAX634__R	42	4.137	4.200	4.263	4.095	4.305
MAX634__R	43	4.235	4.300	4.364	4.192	4.407
MAX634__R	44	4.314	4.380	4.446	4.270	4.489
MAX634__R	45	4.432	4.500	4.567	4.387	4.612
MAX634__R	46	4.560	4.630	4.699	4.514	4.746

‡Factory-trimmed reset thresholds are available in approximately 100mV increments with a 1.5% room-temperature variance.

Table 2. Device Marking Codes and Minimum Order Increments

PART	TOP MARK		ORDER INCREMENT(k)	PART	TOP MARK		ORDER INCREMENT (k)
	SOT23	SC70			SOT23	SC70	
MAX6346_R46-T	FZBI	ACO	2.5	MAX6347_R46-T	FZBW	ACF	2.5
MAX6346_R45-T	FZBH	–	10	MAX6347_R45-T	FZBV	–	10
MAX6346_R44-T	FZBG	ACK	2.5	MAX6347_R44-T	FZBU	ACL	2.5
MAX6346_R43-T	FZBF	–	10	MAX6347_R43-T	FZBT	–	10
MAX6346_R42-T	FZBE	–	10	MAX6347_R42-T	FZBS	–	10
MAX6346_R41-T	FZBD	–	10	MAX6347_R41-T	FZBR	–	10
MAX6346_R40-T	FZBC	–	10	MAX6347_R40-T	FZBQ	–	10
MAX6346_R39-T	FZBB	–	10	MAX6347_R39-T	FZBP	–	10
MAX6346_R38-T	FZBA	–	10	MAX6347_R38-T	FZBO	–	10
MAX6346_R37-T	FZAZ	–	10	MAX6347_R37-T	FZBN	–	10
MAX6346_R36-T	FZAY	–	10	MAX6347_R36-T	FZBM	–	10
MAX6346_R35-T	FZAX	–	10	MAX6347_R35-T	FZBL	–	10
MAX6346_R34-T	FZAW	–	10	MAX6347_R34-T	FZBK	–	10
MAX6346_R33-T	FZAV	–	10	MAX6347_R33-T	FZBJ	–	10
MAX6326_R31-T	FDAA	ACE	2.5	MAX6327_R31-T	FMAA	ACT	2.5
MAX6326_R30-T	FEAA	–	10	MAX6327_R30-T	FNAA	–	10
MAX6326_R29-T	FCAA	ACP	2.5	MAX6327_R29-T	FLAA	ACS	2.5
MAX6326_R28-T	FBAA	–	10	MAX6327_R28-T	FKAA	–	10
MAX6326_R27-T	FAAA	–	10	MAX6327_R27-T	FJAA	–	10
MAX6326_R26-T	EZAA	ACI	2.5	MAX6327_R26-T	FIAA	ACR	2.5
MAX6326_R25-T	EYAA	–	10	MAX6327_R25-T	FHAA	–	10
MAX6326_R24-T	EXAA	–	10	MAX6327_R24-T	FGAA	–	10
MAX6326_R23-T	EWAA	ACH	2.5	MAX6327_R23-T	FFAA	ACQ	2.5
MAX6326_R22-T	EHAA	AAH	2.5	MAX6327_R22-T	EIAA	AAI	2.5

MAX6326/MAX6327/
MAX6328/MAX6346/
MAX6347/MAX6348

3-Pin, Ultra-Low-Power SC70/SOT
µP Reset Circuits

Table 2. Device Marking Codes and Minimum Order Increments (continued)

PART	TOP MARK		ORDER INCREMENT (k)
	SOT23	SC70	
MAX6348 _R46-T	SOT23	SC70	
MAX6348_R46-T	FZCK	ACN	2.5
MAX6348_R45-T	FZCJ	–	10
MAX6348_R44-T	FZCI	ACM	2.5
MAX6348_R43-T	FZCH	–	10
MAX6348_R42-T	FZCG	–	10
MAX6348_R41-T	FZCF	–	10
MAX6348_R40-T	FZCE	–	10
MAX6348_R39-T	FZCD	–	10
MAX6348_R38-T	FZCC	–	10
MAX6348_R37-T	FZCB	–	10
MAX6348_R36-T	FZCA	–	10
MAX6348_R35-T	FZBZ	–	10

PART	TOP MARK		ORDER INCREMENT (k)
	SOT23	SC70	
MAX6348_R34-T	FZBY	–	10
MAX6348_R33-T	FZBX	–	10
MAX6328 _R31-T	FVAA	ACW	2.5
MAX6328_R30-T	FWAA	–	10
MAX6328_R29-T	FUAA	ACV	2.5
MAX6328_R28-T	FTAA	–	10
MAX6328_R27-T	FSAA	–	10
MAX6328_R26-T	FRAA	ACJ	2.5
MAX6328_R25-T	FQAA	–	10
MAX6328_R24-T	FPAA	–	10
MAX6328_R23-T	FOAA	ACU	2.5
MAX6328_R22-T	EJAA	AAJ	2.5

Selector Guide (standard versions*)

PART	NOMINAL V _{TH} (V)
MAX634__R46-T	4.63
MAX634__R44-T	4.38
MAX632__R31-T	3.08
MAX632__R29-T	2.93
MAX632__R26-T	2.63
MAX632__R23-T	2.32
MAX632__R22-T	2.20

*Sample stock is generally held on all standard versions.

Chip Information

TRANSISTOR COUNT: 419

Package Information

For the latest package outline information and land patterns (footprints), go to www.maximintegrated.com/packages. Note that a “+”, “#”, or “-” in the package code indicates RoHS status only. Package drawings may show a different suffix character, but the drawing pertains to the package regardless of RoHS status.

PACKAGE TYPE	PACKAGE CODE	OUTLINE NO.	LAND PATTERN NO.
3 SC70	X3-2	21-0075	90-0208
3 SOT23	U3-1	21-0051	90-0179

MAX6326/MAX6327/
MAX6328/MAX6346/
MAX6347/MAX6348

3-Pin, Ultra-Low-Power SC70/SOT
μP Reset Circuits

Revision History

REVISION NUMBER	REVISION DATE	DESCRIPTION	PAGES CHANGED
0	12/05	Initial release	—
1	4/14	No /V OPNs; removed Automotive reference from <i>Applications</i> section	1

For pricing, delivery, and ordering information, please contact Maxim Direct at 1-888-629-4642, or visit Maxim Integrated's website at www.maximintegrated.com.

Maxim Integrated cannot assume responsibility for use of any circuitry other than circuitry entirely embodied in a Maxim Integrated product. No circuit patent licenses are implied. Maxim Integrated reserves the right to change the circuitry and specifications without notice at any time. The parametric values (min and max limits) shown in the Electrical Characteristics table are guaranteed. Other parametric values quoted in this data sheet are provided for guidance.