



Chipsmall Limited consists of a professional team with an average of over 10 year of expertise in the distribution of electronic components. Based in Hongkong, we have already established firm and mutual-benefit business relationships with customers from,Europe,America and south Asia,supplying obsolete and hard-to-find components to meet their specific needs.

With the principle of “Quality Parts,Customers Priority,Honest Operation,and Considerate Service”,our business mainly focus on the distribution of electronic components. Line cards we deal with include Microchip,ALPS,ROHM,Xilinx,Pulse,ON,Everlight and Freescale. Main products comprise IC,Modules,Potentiometer,IC Socket,Relay,Connector.Our parts cover such applications as commercial,industrial, and automotives areas.

We are looking forward to setting up business relationship with you and hope to provide you with the best service and solution. Let us make a better world for our industry!



Contact us

Tel: +86-755-8981 8866 Fax: +86-755-8427 6832

Email & Skype: info@chipsmall.com Web: www.chipsmall.com

Address: A1208, Overseas Decoration Building, #122 Zhenhua RD., Futian, Shenzhen, China



EVALUATION KIT
AVAILABLE

MAXIM

ISO/IEC 14443 Type B-Compliant 64-Bit UID

MAX66000

General Description

The MAX66000 combines a 64-bit unique identifier (UID) and a 13.56MHz RF interface (ISO/IEC 14443 Type B, Parts 2-4) in a single chip. The UID can be read through the block transmission protocol (ISO/IEC 14443-4), where requests and responses are exchanged through I-blocks once a device is in the ACTIVE state. The data rate can be as high as 847.5kbps. The reader must support a frame size of 19 bytes. The device supports an application family identifier (AFI) and a card identifier (CID). AFI and the application data field can be factory programmed with customer-supplied data. ISO/IEC 14443 functions not supported are chaining, frame-waiting time extension, and power indication.

Applications

Driver Identification (Fleet Application)
Access Control
Asset Tracking

Mechanical Drawings appear at end of data sheet.

Features

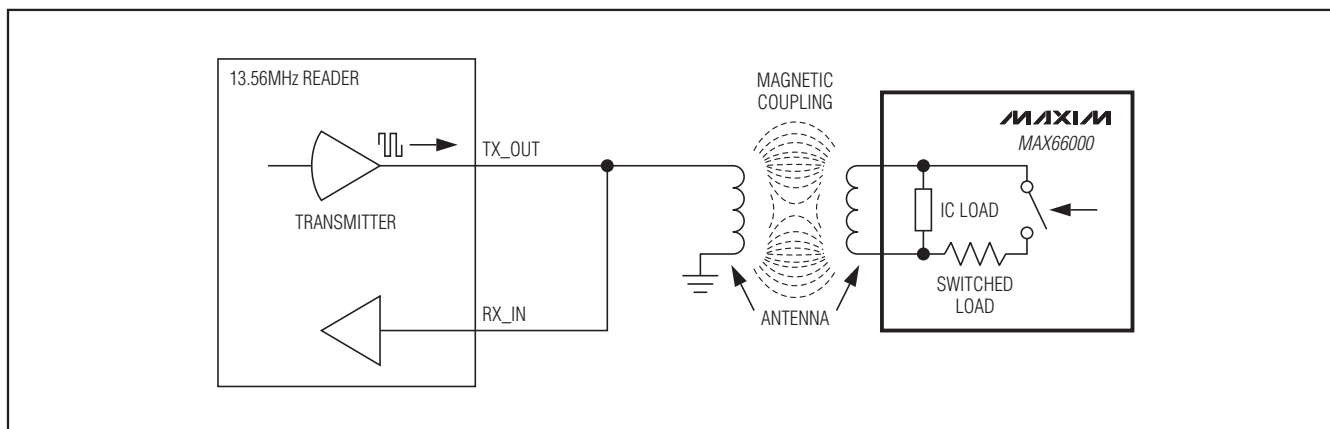
- ◆ Fully Compliant ISO/IEC 14443 (Parts 2-4) Type B Interface
- ◆ 13.56MHz ± 7 kHz Carrier Frequency
- ◆ 64-Bit UID
- ◆ Supports AFI and CID Function
- ◆ Write: 10% ASK Modulation at 105.9kbps, 211.9kbps, 423.75kbps, or 847.5kbps
- ◆ Read: Load Modulation Using BPSK Modulated Subcarrier at 105.9kbps, 211.9kbps, 423.75kbps, or 847.5kbps
- ◆ Powered Entirely Through the RF Field
- ◆ Operating Temperature: -25°C to +50°C

Ordering Information

PART	TEMP RANGE	PIN-PACKAGE
MAX66000E-000AA+	-25°C to +50°C	ISO Card
MAX66000K-000AA+	-25°C to +50°C	Key Fob

+ Denotes a lead(Pb)-free/RoHS-compliant package.

Typical Operating Circuit



ISO/IEC 14443 Type B-Compliant 64-Bit UID

ABSOLUTE MAXIMUM RATINGS

Maximum Incident Magnetic Field Strength	141.5dB μ A/m	Relative Humidity	(Water Resistant)
Operating Temperature Range	-25°C to +50°C	Storage Temperature Range	-25°C to +50°C

Stresses beyond those listed under "Absolute Maximum Ratings" may cause permanent damage to the device. These are stress ratings only, and functional operation of the device at these or any other conditions beyond those indicated in the operational sections of the specifications is not implied. Exposure to absolute maximum rating conditions for extended periods may affect device reliability.

ELECTRICAL CHARACTERISTICS

(T_A = -25°C to +50°C.) (Note 1)

PARAMETER	SYMBOL	CONDITIONS	MIN	TYP	MAX	UNITS
RF INTERFACE						
Carrier Frequency	f _c	(Note 1)	13.553	13.560	13.567	MHz
Operating Magnetic Field Strength (Note 1)	H	At +25°C, MAX66000E	111.0		137.5	dB μ A/m
		At +25°C, MAX66000K	123.5		137.5	
Power-Up Time	t _{POR}	(Note 2)			1.0	ms

Note 1: System requirement.

Note 2: Measured from the time at which the incident field is present with strength greater than or equal to H_(MIN) to the time at which the MAX66000's internal power-on reset signal is deasserted and the device is ready to receive a command frame. Not characterized or production tested; guaranteed by simulation only.

Detailed Description

The MAX66000 combines a 64-bit UID and a 13.56MHz RF interface (ISO/IEC 14443 Type B, Parts 2-4) in a single chip. The UID can be read through the ISO/IEC 14443-4 block transmission protocol, where requests and responses are exchanged through I-blocks once a device is in the ACTIVE state. The reader must support a frame size of at least 19 bytes. The data rate can be as high as 847.5kbps. The MAX66000 supports AFI and CID. ISO 14443 functions not supported are chaining, frame-waiting time extension, and power indication. Applications of the MAX66000 include driver identification (fleet application), access control, and asset tracking.

Overview

Figure 1 shows the relationships between the major control and memory sections of the MAX66000. Figure 2 shows the hierarchical structure of the ISO/IEC 14443 Type B-compliant access protocol. The master must first apply network function commands to put the MAX66000 into the ACTIVE state to read the UID or system information. The protocol required for these network function commands is described in the *Network Function Commands* section. Once the MAX66000 is in the ACTIVE state, the master can use the memory function commands. Upon completion of such a command,

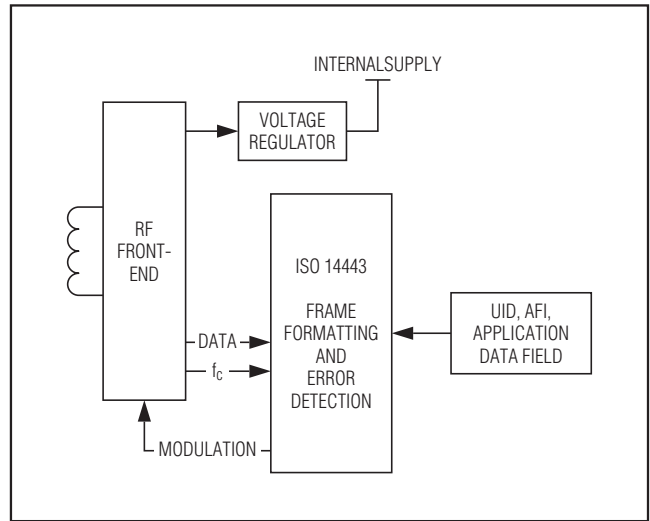


Figure 1. Block Diagram

the MAX66000 returns to the ACTIVE state and the master can issue another memory function command or deselect the device, which returns it to the HALT state. The protocol for these commands is described in the *Memory Commands* section. All data is read and written least significant bit (LSb) first, starting with the least significant byte (LSB).

ISO/IEC 14443 Type B-Compliant 64-Bit UID

MAX66000

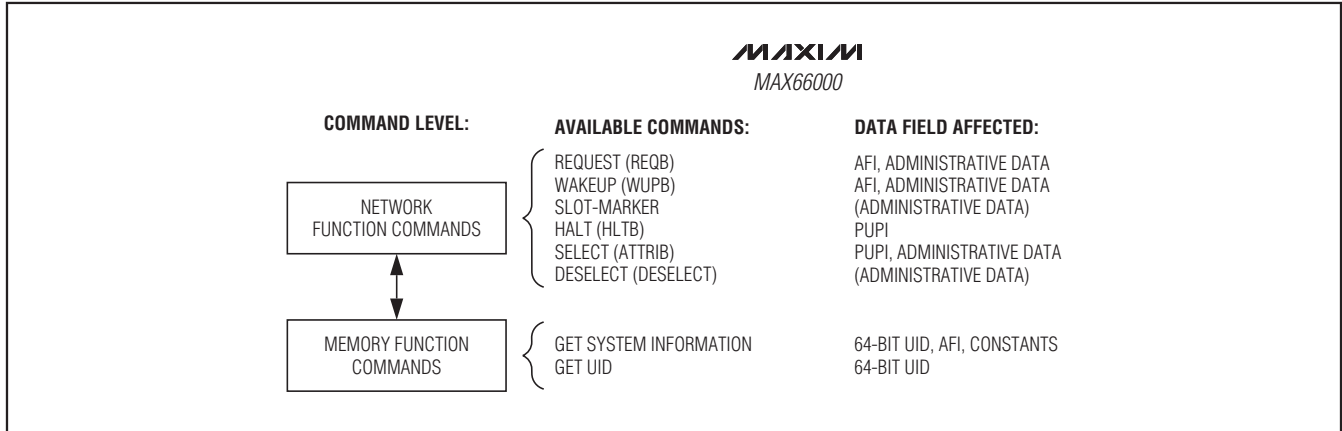


Figure 2. Hierarchical Structure of ISO/IEC 14443 Type B Protocol

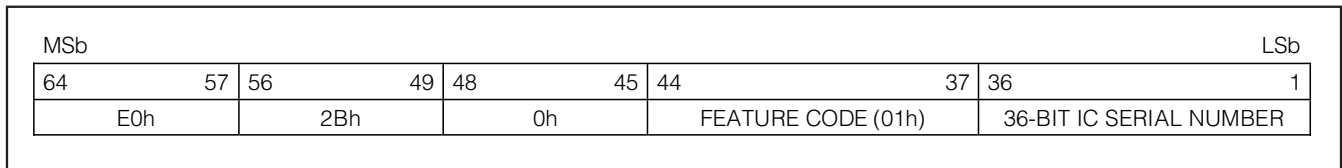


Figure 3. 64-Bit UID

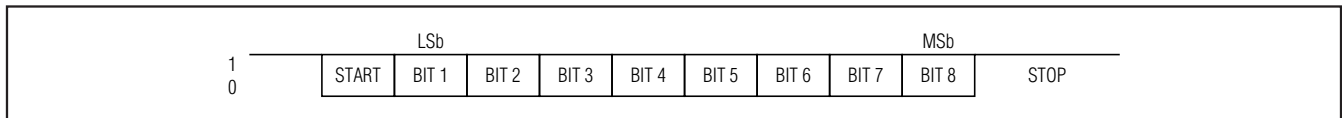


Figure 4. ISO/IEC 14443 Data Character Format

Parasite Power

As a wireless device, the MAX66000 is not connected to any power source. It gets the energy for operation from the surrounding RF field, which needs to have a minimum strength as specified in the *Electrical Characteristics* table.

Unique Identification Number (UID)

Each MAX66000 contains a factory-programmed and locked identification number that is 64 bits long (Figure 3). The lower 36 bits are the serial number of the chip. The next 8 bits store the device feature code, which is 01h. Bits 45 to 48 are 0h. The code in bit locations 49 to 56 identifies the chip manufacturer according to ISO/IEC 7816-6/AM1. This code is 2Bh for Maxim. The code in the upper 8 bits is E0h. The UID is read accessible through the Get UID and Get System Information commands. The lower 32 bits of the UID are transmitted in the PUPI field of the ATQB response to the REQB, WUPB, or SLOT-MARKER command. The upper 32 bits of the UID are factory programmed into

the application data field, which is transmitted as part of the ATQB response. This way the master receives the complete UID in the first response from the slave. See the *Network Function Commands* section for details.

ISO/IEC 14443 Type B Communication Concept

The communication between the master and the MAX66000 (slave) is based on the exchange of data packets. The master initiates every transaction; only one side (master or slaves) transmits information at any time. Data packets are composed of characters, which always begin with a START bit and typically end with one or more STOP bits (Figure 4). The least significant data bit is transmitted first. Data characters have 8 bits. Each data packet begins with a start-of-frame (SOF) character and ends with an end-of-frame (EOF) character. The EOF/SOF characters have 9 all-zero data bits (Figure 5). The SOF has 2 STOP bits, after which data characters are transmitted. A data packet with at least

ISO/IEC 14443 Type B-Compliant 64-Bit UID

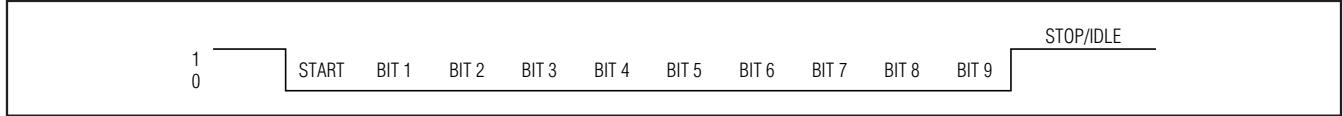


Figure 5. ISO/IEC 14443 SOF/EOF Character Format

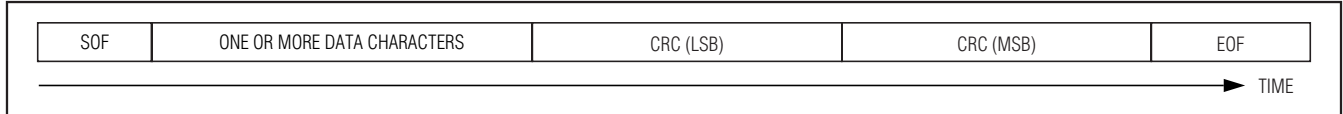


Figure 6. ISO/IEC 14443 Frame Format

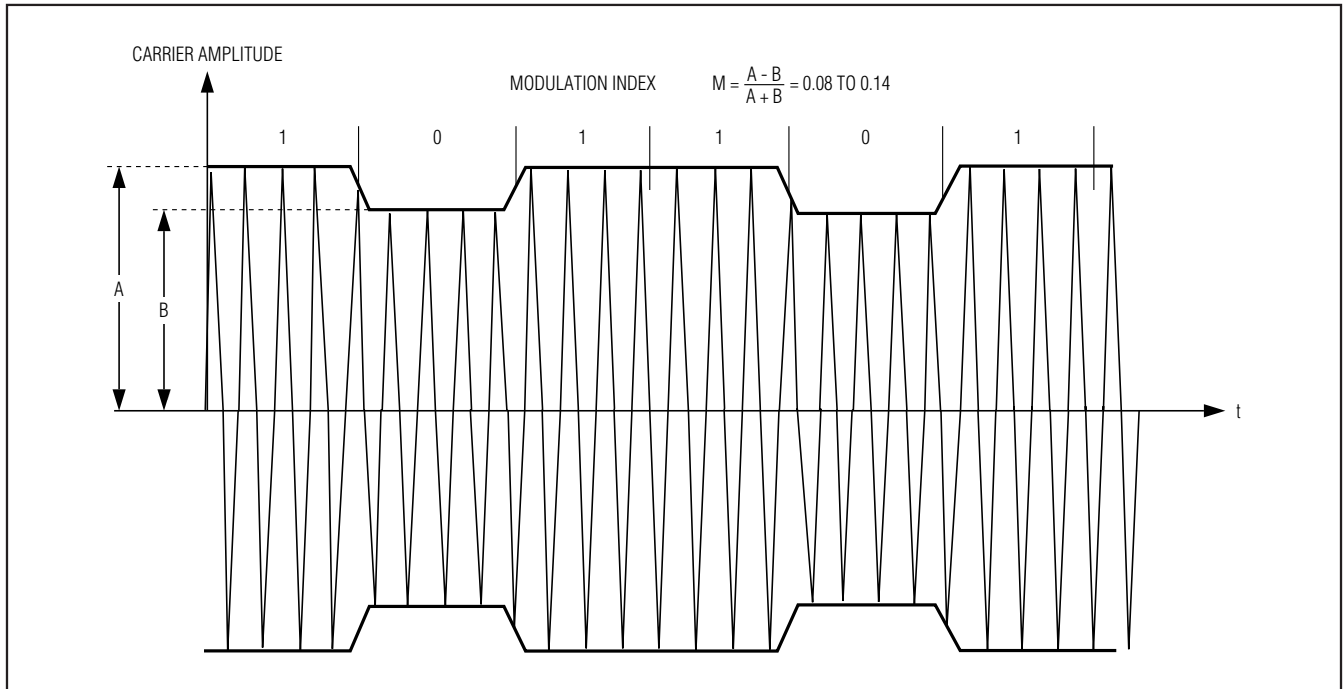


Figure 7. Downlink: 8% to 14% Amplitude Modulation

3 bytes between SOF and EOF is called a frame (Figure 6). The last two data characters of an ISO/IEC 14443 Type B frame are an inverted 16-bit CRC of the preceding data characters generated according to the CRC-16-CCITT polynomial. This CRC is transmitted with the LSB first. For more details on the CRC-16-CCITT, refer to ISO/IEC 14443-3, Annex B. With network function commands, the command code, parameters, and response are embedded between SOF and CRC. With memory function commands, command code, and parameters are placed into the information field of l-blocks (see the *Block Types* section), which in turn are embedded between SOF and EOF.

For transmission, the frame information is modulated on a carrier frequency, which is 13.56MHz for ISO/IEC 14443. The subsequent paragraphs are a concise description of the required modulation and coding. For full details including SOF/EOF and subcarrier on/off timing, refer to ISO/IEC 14443-3, Sections 7.1 and 7.2.

The path from **master to slave** uses amplitude modulation with a modulation index between 8% and 14% (Figure 7). In this direction, a START bit and logic 0 bit correspond to a modulated carrier; STOP bit and logic 1 bit correspond to the unmodulated carrier. EOF ends with an unmodulated carrier instead of STOP bits.

ISO/IEC 14443 Type B-Compliant 64-Bit UID

MAX66000

The path from **slave to master** uses an 847.5kHz subcarrier, which is modulated using binary phase-shift key (BPSK) modulation. Depending on the data rate, the transmission of a single bit takes eight, four, two, or one subcarrier cycles. The slave generates the subcarrier only when needed, i.e., starting shortly before an SOF and ending shortly after an EOF. The standard defines the phase of the subcarrier before the SOF as

0° reference, which corresponds to logic 1. The phase of the subcarrier changes by 180° whenever there is a binary transition in the character to be transmitted (Figure 8). The first phase transition represents a change from logic 1 to logic 0, which coincides with the beginning of the SOF. The BPSK modulated subcarrier is used to modulate the load on the device's antenna (Figure 9).

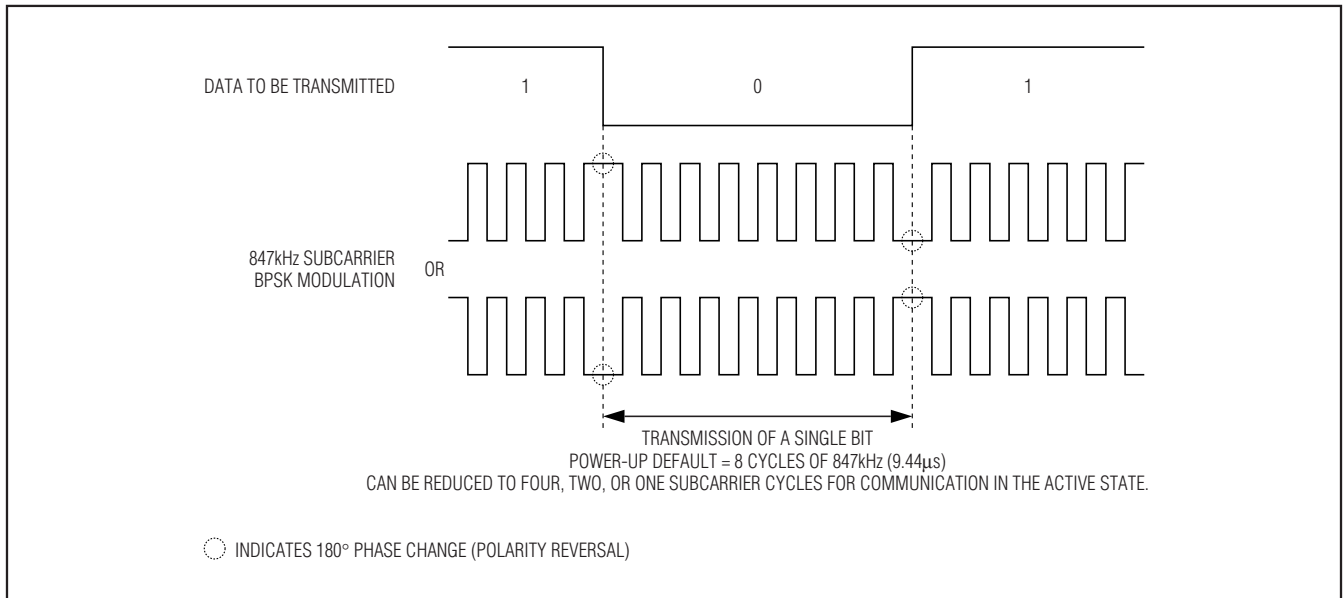


Figure 8. Uplink: BPSK Modulation of the 847.5kHz Subcarrier

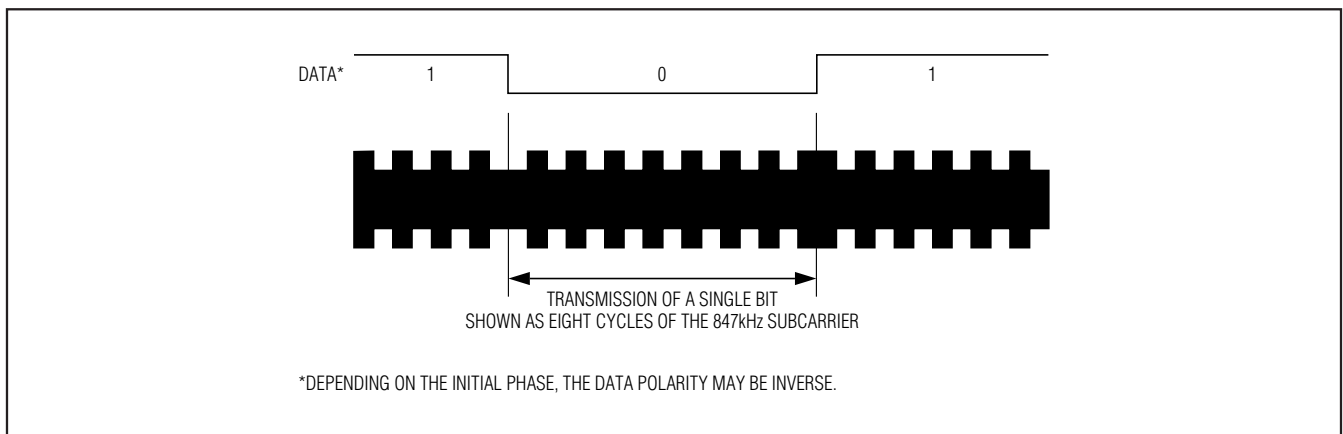


Figure 9. Uplink: Load Modulation of the RF Field by the BPSK Modulated Subcarrier

ISO/IEC 14443 Type B-Compliant 64-Bit UID

PROLOGUE FIELD			INFORMATION FIELD	EPILOGUE FIELD	
PCB	CID	NAD	(DATA)	CRC (LSB)	CRC (MSB)
1 BYTE	1 BYTE	1 BYTE	0 OR MORE BYTES	1 BYTE	1 BYTE

Figure 10. ISO/IEC 14443-4 Type B Block Format

MSb				LSb			
BIT 8	BIT 7	BIT 6	BIT 5	BIT 4	BIT 3	BIT 2	BIT 1
0	0	0	CH	CID	NAD	1	#

Figure 11. Bit Assignments for I-Block PCB

MSb				LSb			
BIT 8	BIT 7	BIT 6	BIT 5	BIT 4	BIT 3	BIT 2	BIT 1
1	0	1	AN	CID	0	1	#

Figure 12. Bit Assignments for R-Block PCB

ISO/IEC 14443 Block Transmission Protocol

Before the master can send a data packet to access the memory, the MAX66000 must be in the ACTIVE state. The protocol to put the MAX66000 into the ACTIVE state is explained in the *Network Function Commands* section. While in the ACTIVE state, the communication between the master and the MAX66000 follows the block transmission protocol as specified in Section 7 of ISO/IEC 14443-4. Such a block (Figure 10) consists of three parts: the prologue field, the information field, and the epilogue field. The prologue can contain up to 3 bytes, called the protocol control byte (PCB), card identifier (CID), and the node address (NAD). Epilogue is another name for the 16-bit CRC that precedes the EOF. The information field is the general location for data.

Block Types

The standard defines three types of blocks: I-block, R-block, and S-block. Figures 11, 12, and 13 show the applicable PCB bit assignments.

The I-block is the main tool to access the memory. For I-blocks, bit 2 must be 1 and bit 6 to bit 8 must be 0. Bit 5, marked as CH, is used to indicate chaining, a function that is not used or supported by the MAX66000. Therefore, bit 5 must always be 0. Bit 4, marked as CID,

is used by the master to indicate whether the prologue field contains a CID byte. The MAX66000 processes blocks with and without CID as defined in the standard. The master must include the CID byte if bit 4 is 1. Bit 3, marked as NAD, is used to indicate whether the prologue field contains an NAD byte, a feature not supported by the MAX66000. Therefore, bit 3 must always be 0. Bit 1, marked as #, is the block number field. The block number is used to ensure that the response received relates to the request sent. This function is important in the error handling, which is illustrated in Annex B of ISO/IEC 14443-4. The rules that govern the numbering and handling of blocks are found in Sections 7.5.3 and 7.5.4 of ISO/IEC 14443-4. The MAX66000 ignores I-blocks that have bit 5 or bit 3 set to 1.

For R-blocks, the states of bit 2, bit 3, bit 6, bit 7, and bit 8 are fixed and must be transmitted as shown in Figure 12. The function of bit 1 (block number) and bit 4 (CID indicator) is the same as for I-blocks. Bit 5, marked as AN, is used to acknowledge (if transmitted as 0) or not to acknowledge (if transmitted as 1) the reception of the last frame for recovery from certain error conditions. The MAX66000 fully supports the function of the R-block as defined in the standard. For details and the applicable rules, refer to Sections 7.5.3 and 7.5.4 and Annex B of ISO/IEC 14443-4.

ISO/IEC 14443 Type B-Compliant 64-Bit UID

MSb				LSb			
BIT 8	BIT 7	BIT 6	BIT 5	BIT 4	BIT 3	BIT 2	BIT 1
1	1			CID	0	1	0

Figure 13. Bit Assignments for S-Block PCB

MSb				LSb			
BIT 8	BIT 7	BIT 6	BIT 5	BIT 4	BIT 3	BIT 2	BIT 1
0	0	0	0				
(POWER LEVEL)		(FIXED)		CARD IDENTIFIER VALUE			

Figure 14. Bit Assignments for CID Byte in I-Blocks

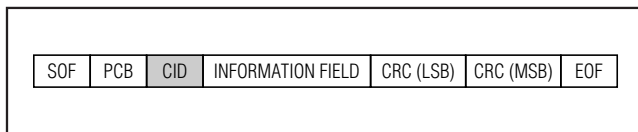


Figure 15. Frame Format for Block Transmission Protocol

For S-blocks, the states of bit 1, bit 2, bit 3, and bit 7 and bit 8 are fixed and must be transmitted as shown in Figure 13. The function of bit 4 (CID indicator) is the same as for I-blocks. Bit 5 and bit 6, when 00b, specify whether the S-block represents a DESELECT command. If bit 5 and bit 6 are 11b, the S-block represents a frame-waiting time extension (WTX) request, a feature to tell the master that the response is going to take longer than specified by the frame waiting time (FWT) (see the *ATQB Response* section). However, the MAX66000 does not use this feature, and, consequently, the only use of the S-block is to transition the device from the ACTIVE state to the HALT state using the DESELECT command (see the *Network Function Commands* section).

Card Identifier

Figure 14 shows the bit assignment within the card identifier byte. The purpose of bits 4 to 1 is to select one of multiple slave devices that the master has elevated to the ACTIVE state. The CID is assigned to a slave through Param 4 of the ATTRIB command (see the *Network Function Commands* section). While in the ACTIVE state, a compliant slave only processes blocks that contain a matching CID and blocks without a CID if the assigned CID is all zeros. If the master includes a

CID, then the slave's response also includes a CID byte. Blocks with a nonmatching CIDs are ignored.

According to the standard, the slave can use bits 8 and 7 to inform the master whether power-level indication is supported, and, if yes, whether sufficient power is available for full functionality. Since the MAX66000 does not support power-level indication, the power-level bits are always 00b. When the master transmits a CID byte, the power-level bits must be 00b.

Information Field

Since the MAX66000 does not generate WTX requests, the information field (Figure 10) is found only with I-blocks. The length of the information field is calculated by counting the number of bytes of the whole block minus the length of the prologue and epilogue field. The ISO/IEC 14443 standard does not define any rules for the contents of the information field. The MAX66000 assumes that the first byte it receives in the information field is a command code followed by 0 or more command-specific parameters. When responding to an I-block, the first byte of the information field indicates success (code 00h) followed by command-specific data or failure (code 01h) followed by one error code.

Memory Function Commands

The commands described in this section are transmitted using the block transmission protocol. The data of a block (from prologue to epilogue) is embedded between SOF and EOF, as shown in Figure 15. The CID field (shaded) is optional. If the request contains a CID, the response also contains a CID.

The command descriptions in this section only show the information field of the I-blocks used to transmit requests and responses. Since the MAX66000 neither supports chaining nor generates WTX requests, when it receives an I-block, the MAX66000 responds with an I-block. The block number in the I-block response is the same as in the I-block request.

Error Indication

In case of an error, the response to a request begins with a 01h byte followed by one error code.

If there was no error, the information field of the response begins with 00h followed by command-specific data, as specified in the detailed command description. If the MAX66000 does not recognize a command, it does not generate a response.

ISO/IEC 14443 Type B-Compliant 64-Bit UID

Response Information Field for the Get System Information Command (No Error)

INDICATOR	INFO FLAGS	UID	(DUMMY)	AFI	NUMBER OF BLOCKS	MEMORY BLOCK SIZE	IC REFERENCE
00h	0Fh	(8 Bytes)	(1 Byte)	(1 Byte)	02h	07h	(1 Byte)

Response Information Field for the Get UID Command (No Error)

INDICATOR	UID
00h	(8 Bytes)

Detailed Command Descriptions

Get System Information

This command allows the master to retrieve technical information about the MAX66000. In the response, the least significant UID byte is transmitted first. The response is adapted from ISO 15693-3, Section 10. The IC reference code indicates the die revision in hexadecimal format, such as A1h, A2h, B1h, etc. To receive the system information, issue a request with the command code 2Bh in the request information field.

Get UID

This command allows the master to retrieve the device's unique identification number, UID. In the response, the least significant UID byte is transmitted first. To read the UID, issue a request with the command code 30h in the request information field.

ISO/IEC 14443-3 Type B Initialization and Anticollision Protocol

Before an ISO/IEC 14443-compliant RF device gives access to its memory, a communication path between the master and the RF device must be established. Initially, the master has no information whether there are any RF devices in the field of its antenna. To find out whether there are one or more RF devices compliant to a known standard in the field, the master uses a standard-specific initialization and anticollision protocol. The ISO/IEC 14443 Type B protocol defines six states: POWER-OFF, IDLE, WAITING FOR SLOT-MARKER, READY, HALT, and ACTIVE. Figure 16 shows these states and the conditions under which a slave transitions between states. For most cases, letters surrounded by small circles reference the condition under which a transition occurs. The conditions are explained in the legend to Figure 16. Table 1 explains terms that are used in the anticollision protocol and in the network function command description.

ISO/IEC 14443 Type B-Compliant 64-Bit UID

MAX66000

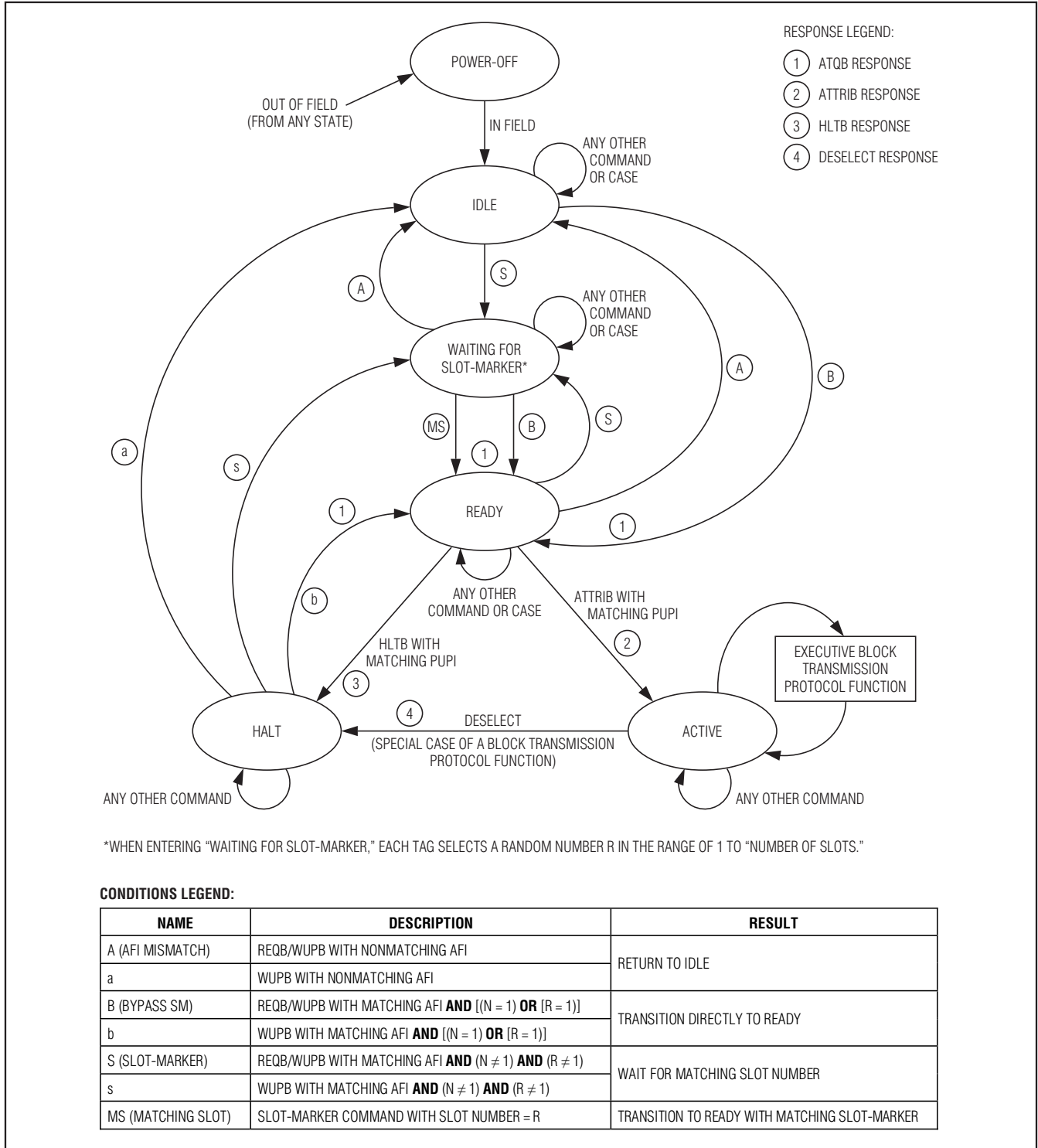


Figure 16. ISO/IEC 14443 Type B State Transitions Diagram

ISO/IEC 14443 Type B-Compliant 64-Bit UID

Table 1. ISO/IEC 14443 Type B Technical Terms

TERM	DESCRIPTION
ACTIVE	One of the slave's six states. In this state, the memory and control function commands and deselect apply.
ADC	Application Data Coding. 2-Bit field of the 3rd protocol info byte of the ATQB response.
AFI	Application Family Identifier. 1-Byte field used in the REQB/WUPB request to preselect slaves.
ATQB	Answer to Request, Type B. Response to REQB, WUPB, and SLOT-MARKER command.
ATTRIB	Slave Selection Command, Type B. Used to transition a slave from READY to the ACTIVE state.
BPSK	Binary Phase-Shift Keying Modulation
CID	Card Identifier. 4-Bit temporary identification number assigned to a slave through the ATTRIB command, used in conjunction with the block transmission protocol.
EOF	End of Frame
DESELECT	Slave Deselection Command. Transitions the slave from the ACTIVE state to the HALT state.
f_c	Carrier Frequency = 13.56MHz
FO	Frame Option. 2-Bit field of the 3rd protocol info byte of the ATQB response.
f_s	Subcarrier Frequency = $f_c/16 = 847.5\text{kHz}$
FWI	Frame-Waiting Time Integer. 4-Bit field of the 3rd protocol info byte of the ATQB response.
FWT	Frame-Waiting Time. Calculated from FWI.
HALT	One of the slave's six states. The master puts a slave in this state to park it.
HLTB	Halt Command, Type B
IDLE	One of the slave's six states. In this state, the slave has power and is waiting for action.
INF	Information Field for Higher Layer Protocol (per ISO/IEC 14443-4)
MBLI	Maximum Buffer Length Index of Slave (per ISO/IEC 14443-4). 4-Bit field of the first protocol info byte of the ATQB response.
N	Number of Anticollision Slots (or response probability per slot)
NAD	Node Address (per ISO/IEC 14443-4)
POWER-OFF	One of the slave's six states. In this state, the slave has no power and consequently cannot do anything.
PUPI	Pseudo Unique Identifier. 4-Byte field of the ATQB response.
R	4-Bit Random Number Chosen by a Slave When Processing the REQB or WUPB Command
READY	One of the slave's six states; official name is READY-DECLARED SUBSTATE. In this state, the slave has identified itself and is waiting for transition to ACTIVE (memory functions) or HALT (parking).
REQB	Request Command, Type B. Used to probe the RF field for the presence of slave devices.
RF	Radio Frequency
S	Slot Number. 4-Bit field sent to slave with SLOT-MARKER command.
SLOT-MARKER	Command used in the time-slot approach to identify slaves in the RF field
SOF	Start of Frame
TR0	Guard Time per ISO/IEC 14443-2
TR1	Synchronization Time per ISO/IEC 14443-2
WAITING FOR SLOT-MARKER	One of the slave's six states; official name is READY-REQUESTED SUBSTATE. In this state, the slave is waiting to be called by its random number R to transition to READY.
WUPB	Wake-Up Command, Type B. Similar to REQB, required to wake up slaves in the HALT state.

ISO/IEC 14443 Type B-Compliant 64-Bit UID

MAX66000

ISO/IEC 14443 Type B States and Transitions

POWER-OFF State

This state applies if the slave is outside the master's RF field. A slave transitions to the POWER-OFF state when leaving the power-delivering RF field. When entering the RF field, the slave automatically transitions to the IDLE state.

IDLE State

The purpose of the IDLE state is to have the slave population ready to participate in the anticollision protocol. When transitioning to the IDLE state, the slave does not generate any response. To maintain this state, the slave must continuously receive sufficient power from the master's RF field to prevent transitioning into the POWER-OFF state. While in the IDLE state, the slave listens to the commands that the master sends, but reacts only on the REQB and WUPB commands, provided that they include a matching AFI value. If the master sends a command with a nonmatching AFI byte (conditions A and a), a transition to IDLE is also possible from the HALT state, the READY state, and the WAITING FOR SLOT-MARKER state. From IDLE, a slave can transition to the higher states READY (condition B) or WAITING FOR SLOT-MARKER (condition S). For details, see the *REQB/WUPB* command description in the *Network Function Commands* section.

WAITING FOR SLOT-MARKER State (READY REQUESTED SUBSTATE)

The WAITING FOR SLOT-MARKER state is used in the time-slot anticollision approach. A slave can transition to WAITING FOR SLOT-MARKER from the IDLE, HALT, or READY state upon receiving a REQB or WUPB command with a matching AFI (conditions S and s), provided that both the number of slots specified in the REQB/WUPB command and the random number that the slave has chosen are different from 1. To maintain this state, the slave must continuously receive sufficient power from the master's RF field to prevent transitioning into the POWER-OFF state. A slave in the WAITING FOR SLOT-MARKER state listens to the commands that the master sends, but reacts only on the REQB, WUPB, and SLOT-MARKER commands. From WAITING FOR SLOT-MARKER, a slave can transition to the higher state READY under condition B (bypassing the SLOT-MARKER), or MS (matching slot, SLOT-MARKER command with a slot number that matches the random number R). Condition A (AFI mismatch) returns the slave to the IDLE state.

READY State (READY DECLARED SUBSTATE)

The READY state applies to a slave that has met the criteria in the anticollision protocol to send an ATQB response. A slave can transition to READY from IDLE or HALT (conditions B and b) or from WAITING FOR SLOT-MARKER (conditions B and MS). When transitioning to the READY state, the slave transmits an ATQB response. To maintain this state, the slave must continuously receive sufficient power from the master's RF field to prevent transitioning into the POWER-OFF state. A slave in the READY state listens to the commands that the master sends, but reacts only on the REQB, WUPB, ATTRIB, and HLTB commands. From READY, a slave can transition to ACTIVE (ATTRIB command with matching PUPI), HALT (HLTB command with matching PUPI), or IDLE (condition A).

HALT State

The HALT state is used to silence slaves that have been identified and shall no longer participate in the anticollision protocol. This state is also used to park slaves after communication in the ACTIVE state was completed. A slave transitions to the HALT state either from READY (HLTB command with matching PUPI) or from ACTIVE (DESELECT command with matching CID). When transitioning to the HALT state, the slave transmits a response that confirms the transition. To maintain this state, the slave must continuously receive sufficient power from the master's RF field to prevent transitioning into the POWER-OFF state. The normal way out of the HALT state is through the WUPB command. From HALT, a slave can transition to IDLE (condition a), READY (condition b), or WAITING FOR SLOT-MARKER (condition s).

ACTIVE State

The ACTIVE state enables the slave to process commands sent through the block transmission protocol. When entering the ACTIVE state, the slave confirms the transition with a response. The only way for a slave to transition to the ACTIVE state is from the READY state (ATTRIB command with a matching PUPI). In the ATTRIB command, the master assigns a 4-bit CID that is used to address one of multiple slaves that could all be in the ACTIVE state. To maintain this state, the slave must continuously receive sufficient power from the master's RF field to prevent transitioning into the POWER-OFF state. The normal way out of the ACTIVE state is through the DESELECT command, which transitions the slave to the HALT state.

ISO/IEC 14443 Type B-Compliant 64-Bit UID

Network Function Commands

To transition slaves devices between states, the ISO/IEC 14443 Type B standard defines six network function commands, called REQB, WUPB, SLOT-MARKER, HLTB, ATTRIB, and DESELECT. The master issues the commands in the form of request frames and the slaves respond by transmitting response frames. With network function commands, command code, parameters and response are embedded between SOF and CRC. This section describes the format of the response and request frames and the coding of the data fields inside the frames as detailed as necessary to operate the MAX66000. Not all of the fields and cases that the standard defines are relevant for the MAX66000. For a full description of those fields refer to the ISO/IEC 14443-3, Section 7.

REQB/WUPB Command

The REQUEST command, Type B (REQB) and the WAKEUP command, Type B (WUPB) are the general tools for the master to probe the RF field for the presence of slave devices and to preselect them for action based on the value of the application family identifier (AFI). An ISO/IEC 14443 Type B-compliant slave watches for these commands while in the IDLE state, WAITING FOR SLOT-MARKER state, and READY state. In the HALT state, the slave only acts upon receiving a WUPB command. The REQB or WUPB command is transmitted as a frame, as shown in Figure 17. Besides

the command code, the request includes two parameters, AFI and PARAM. The response to REQB/WUPB is named ATQB. See the *ATQB Response* section for details.

The ISO/IEC 14443 standard defines rules for the assignment of the AFI codes and the behavior of the slaves when receiving a REQB/WUPB request. If the request specifies an AFI of 00h, a slave must process the command regardless of its actual AFI value. If the least significant nibble of the AFI in the request is 0000b, the slave must process the command only if the most significant nibble of the AFI sent by the master matches the most significant nibble of the slave's AFI. For all other AFI values, the slave processes the command only if the AFI in the request and the slave match. The AFI code is factory programmed to a customer-specific value (default is 00h) and cannot be changed.

The bit assignments of the PARAM byte are shown in Figure 18. Bits 5 to 8 are reserved and must be transmitted as 0. Bit 4, if 0, indicates that the request is a REQB command; bit 4, if 1, defines a WUPB command.

Bits 1, 2, and 3 specify the number of slots (N) to be used in the anticollision protocol. Table 2 shows the codes. In the case of N = 1, the SLOT-MARKER command does not apply and all slaves with a matching AFI transition to the READY state. With multiple slaves in the field, this leads to a data collision, since the response frames are transmitted simultaneously. If N is

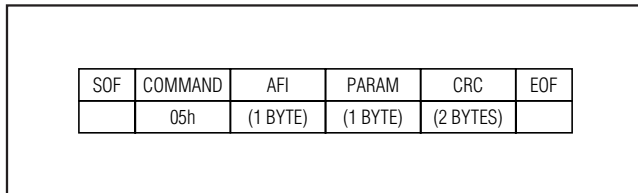


Figure 17. REQB/WUPB Request Frame

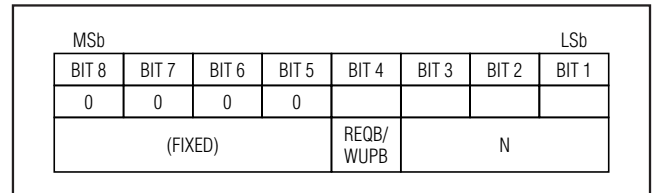


Figure 18. Bit Assignments for PARAM Byte

Table 2. Number of Slots Codes

BIT 3	BIT 2	BIT 1	N
0	0	0	1
0	0	1	2
0	1	0	4
0	1	1	8
1	0	0	16
1	0	1	(RESERVED)
1	1	X	(RESERVED)

ISO/IEC 14443 Type B-Compliant 64-Bit UID

larger than 1, each slave in the field selects its own 4-bit random number, R, in the range of 1 to N. A slave that happens to choose R = 1 responds to the REQB/WUPB request. The larger N is the lower the probability of colliding response frames; however, if N is 16 and there is only a single slave in the field, it can take up to 15 SLOT-MARKER commands to get a response. The method to identify all slaves in the field relying solely on the random number R and the REQB/WUPB command is called the “probabilistic approach.” For more information about the anticollision process, see the *Anticollision Examples* section.

SLOT-MARKER Command

Instead of relying on the fact that a participating slave chooses a new random number for every REQB/WUPB command, in the “time-slot approach” the master calls the slaves by their random number R using the SLOT-MARKER command. Before this can be done, the master must have issued the REQB/WUPB command with a number of slots (N) value greater than 1. The master can send up to (N - 1) SLOT-MARKER commands. Figure 19 shows the format of the SLOT-MARKER request frame. The AFI field is not needed since the slaves have already been preselected through the preceding REQB/WUPB request. The response to the SLOT-MARKER command is called ATQB. See the *ATQB Response* section for details.

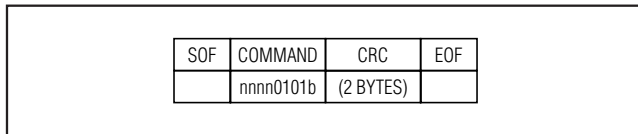


Figure 19. SLOT-MARKER Request Frame

The bits marked as “nnnn” specify the slot number as defined in the Table 3. Any sequence of the permissible slot numbers is permitted.

ATQB Response

The response for both the REQB/WUPB and the SLOT-MARKER command is called ATQB, which stands for “answer to request, Type B.” Figure 20 shows the format of the ATQB response. The PUPI field (pseudo-unique identifier) is used by the master to address a slave for transitioning to the ACTIVE or HALT state. The data reported as PUPI is the least significant 4 bytes of the 64-bit UID. The application data field reports user-defined data that is relevant for distinguishing otherwise equal slaves in the RF field. The application data field is factory programmed to reflect the most significant 4 bytes of the 64-bit UID. This allows the master to obtain the full 64-bit UID in the first response from the slave. However, this field may be factory-programmed to a customer-specific value.

The protocol info field provides the master with administrative information, such as data rate, frame size, ISO/IEC 14443-4 compliance, frame waiting time, and whether the slave supports CID and NAD in the ISO/IEC 14443-4 block transmission protocol. Figure 21 shows where this information is located in the protocol info field and what the values are.

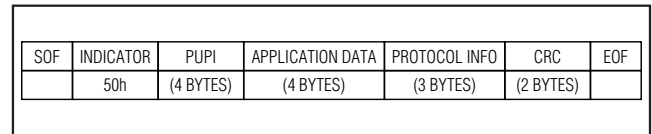


Figure 20. ATQB Response Frame

Table 3. Slot Numbering

BIT 8	BIT 7	BIT 6	BIT 5	SLOT NUMBER
0	0	0	1	2
0	0	1	0	3
0	0	1	1	4
...
1	1	1	0	15
1	1	1	1	16

ISO/IEC 14443 Type B-Compliant 64-Bit UID

1ST BYTE	2ND BYTE	3RD BYTE, UPPER NIBBLE	3RD BYTE, BIT 4, BIT 3	3RD BYTE, BIT 2, BIT 1
BIT RATE CAPABILITY	MAXIMUM FRAME SIZE, PROTOCOL TYPE	FWI	ADC	FO
77h	11h	0110b	00b	01b

Figure 21. Protocol Info Field Details

SOF	COMMAND	PUPI	CRC	EOF
	50h	(4 BYTES)	(2 BYTES)	

Figure 22. HLTB Request Frame

SOF	INDICATOR	CRC	EOF
	00h	(2 BYTES)	

Figure 23. HLTB Response Frame

The bit-rate capability of the MAX66000 ranges from 105.kbps to 847.5kbps in both directions (request and response); request and response bit rate need not be the same. The maximum frame size (upper nibble of the 2nd byte) of any request/response specifies 24 bytes. The largest frame that occurs with the MAX66000 is 19 bytes (Get System Information response). The protocol type (lower nibble of the 2nd byte) specifies that the MAX66000 supports the ISO/IEC 14443-4 block transmission protocol. The FWI code 0110b specifies a frame waiting time of 19.3ms. Note that a slave may respond long before the maximum frame waiting time is expired. The ADC code 00b specifies that the MAX66000 uses proprietary coding for the application data field. The FO code 01b implies that the MAX66000 supports CID, but does not support the NAD field in the ISO/IEC 14443-4 block transmission protocol.

HLTB Command

The HLTB command is the only network function command to silence a slave by parking it in the HALT state. If, based on the ATQB response, the master does not want to further communicate with the slave, the master issues the HLTB command. Figures 22 and 23 show the format of the HLTB request frame and the corresponding response frame. The data to be used in the PUPI field must match the PUPI information that the slave has transmitted in the ATQB response. While in the HALT state, the slave only responds to the WUPB request.

ATTRIB Command

The ATTRIB command is the only way to select a slave and make it process commands that are transmitted according to the ISO/IEC 14443 block transmission protocol. If, based on the ATQB response, the master wants to communicate with the slave, the master must put the slave into the ACTIVE state using the slave selection command ATTRIB. The normal way for the master to move a slave out of the ACTIVE state is by sending a DESELECT command, which uses an S-block to convey a network function command.

Figure 24 shows the format of the ATTRIB request frame. The data to be used in the PUPI field must match the PUPI information that the slave has transmitted in the ATQB response. Param 1 tells the slave how much time the master needs to switch from transmit to receive (TR0), how much time the master needs to synchronize to the slave's subcarrier (TR1), and whether the master is capable of receiving response frames without SOF and/or EOF.

The MAX66000 ignores the data of Param 1. To ease requirements for ISO/IEC 14443 Type B readers, the MAX66000 has TR0 and TR1 fixed at 128/fs (151µs; fs is the subcarrier frequency of 847.5kHz) and always begins and ends its responses with SOF and EOF, respectively.

SOF	COMMAND	PUPI	PARAM 1	PARAM 2	PARAM 3	PARAM 4	HLINF	CRC	EOF
	10h	(4 BYTES)	(1 BYTE)	(1 BYTE)	01h	(1 BYTE)	(≥ 0 BYTES)	(2 BYTES)	

Figure 24. ATTRIB Request Frame

ISO/IEC 14443 Type B-Compliant 64-Bit UID

MAX66000

MSb				LSb			
BIT 8	BIT 7	BIT 6	BIT 5	BIT 4	BIT 3	BIT 2	BIT 1
				X	X	X	X
RESPONSE DATA RATE (UPLINK)		REQUEST DATA RATE (DOWNLINK)		RECEIVER FRAME SIZE CAPABILITY			

Figure 25. Bit Assignments for Param 2 Byte

MSb				LSb			
BIT 8	BIT 7	BIT 6	BIT 5	BIT 4	BIT 3	BIT 2	BIT 1
0	0	0	0				
(FIXED)				CARD IDENTIFIER VALUE (CID)			

Figure 26. Bit Assignments for Param 4 Byte

SOF	INDICATOR	HL RESPONSE	CRC	EOF
	MBLI, CID	(≥ 0 BYTES)	(2 BYTES)	

Figure 27. ATTRIB Response Frame

FRAME WITHOUT CID				
SOF	COMMAND	CRC	EOF	
	C2h	(2 BYTES)		
FRAME WITH CID				
SOF	COMMAND	CID	CRC	EOF
	CAh	(1 BYTE)	(2 BYTES)	

Figure 28. DESELECT Request and Response Frames

Param 2 informs the slave about the data rate that shall be used for communication in the ACTIVE state and the maximum frame size that the master can receive. Figure 25 shows the bit assignments for the Param 2 byte. The MAX66000 supports the data rates of 105.9kbps (code 00b), 211.9kbps (code 01b), 423.75kbps (code 10b), and 847.5kbps (code 11b). The master can choose different data rates for request and response. Since it does not support chaining, the MAX66000 ignores the frame size capability and assumes that the master can receive frames as large as specified in the ATQB response.

The lower nibble of Param 3 is used to confirm the protocol type as specified in the lower nibble of the second byte of the ATQB protocol info. Since ISO/IEC 14443-3 sets the upper nibble of Param 3 to 0000b, the Param 3 value to be used for the MAX66000 in the ATTRIB request is 01h.

Param 4 assigns the slave the CID number that is used with the block transmission protocol to address one of several slaves in the ACTIVE state. Figure 26 shows the Param 4 bit assignments. Since the MAX66000 supports the CID field, the master can assign any number in the range from 0 to 14. According to ISO/IEC 14443-3, code 15 is reserved.

The ATTRIB request frame contains one optional field, called higher layer information (HLINF). This field can be used to include data as in the information field of the ISO/IEC 14443 Type B block transmission protocol (see Figure 10). If such data is present and the slave supports the HLINF field, then the slave processes the HLINF data and returns the result in its response to the ATTRIB request. Typically, the ATTRIB request is transmitted without HLINF field. The only HLINF data that the MAX66000 accepts and processes is the Get UID command, code 30h.

If the ATTRIB request has a matching PUPI and a valid CRC, the slave transmits an ATTRIB response frame, as shown in Figure 27. The upper nibble of the indicator, also referred to as MBLI, is 0000b, telling that the slave does not provide any information on its internal input buffer size; the lower nibble returns the card identifier value that the master has just assigned to the slave.

The HL response field is optional. There are three cases to be distinguished:

- If there was no HLINF field in the ATTRIB request, then there is no HL response field in the response.
- If there was a Get UID command code (30h) in the HLINF field of the ATTRIB request, then the HL response field is identical to the Get UID response information field (i.e., 00h followed by the 8-byte UID).
- If the code in the HLINF field of the ATTRIB request was different from 30h, then the response frame does not contain an HL response field.

DESELECT Command

The DESELECT command is used to transition the slave from the ACTIVE to the HALT state after the master has completed the communication with the slave. There are two versions of the deselect request frame, one without CID and one with CID. Figure 28 shows both versions. Figure 26 shows the CID format.

ISO/IEC 14443 Type B-Compliant 64-Bit UID

Logically, the DESELECT command is a special case of the S-block of the block transmission protocol, as defined in part 4 of the ISO/IEC 14443 standard. The MAX66000 responds to a DESELECT command if the CID in the request and the CID in the device match. If the DESELECT request does not include a CID, the MAX66000 only responds to the request if its CID is 0000b.

The response frame to the DESELECT command is identical to the request frame. The slave returns the same data that it had received, confirming that the slave addressed in the request has been transitioned to the HALT state.

Anticollision Examples

Probabilistic Anticollision

The master starts the anticollision process by issuing an REQB or WUPB command. The WUPB command involves any slave in the field with a matching AFI code. The REQB command performs the same function, but is ignored by slaves in the HALT state. Both commands include the parameter N, which according to Table 2 is used to set the probability of an ATQB response to 1/N.

If N = 1, all participating slaves respond with the ATQB response. If N is greater than one, then each slave selects a random number R in the range of 1 to N. If a slave happens to choose R = 1, then it responds with ATQB. If R is greater than 1, then the slave waits for another REQB or WUPB command, which causes the participating slaves to choose a new random number R.

The ATQB response contains a field named PUPI, which is used to direct commands to a specific slave

during the anticollision process. When the master receives an ATQB response, it should issue a matching HLTB command to halt the slave or issue a matching ATTRIB command to assign a CID and place the slave in the ACTIVE state. If this is not done, the slaves continue to participate in the anticollision process. A slave in the ACTIVE state ignores all REQB, WUPB, SLOT-MARKER, ATTRIB, and HLTB commands, but responds to the DESELECT command.

An ATQB response received with a CRC error indicates a collision because two or more slaves have responded at the same time. With probabilistic anticollision, the master must issue another REQB command to cause the slaves in the field that are not in the HALT or ACTIVE state to select a new random number R. If one of the slaves has chosen R = 1, it responds with ATQB.

A REQB without ATQB response does not guarantee that all slaves in the field have been identified.

Figure 29 shows an example of the time-slot anticollision, assuming that there are four slaves in IDLE state in the field. The process begins with the master sending an REQB request with N = 1, which forces all slaves to respond with ATQB, resulting in a collision. Knowing that slaves are present, the master now sends REQB with N = 8. This causes all slaves to select a random number in the range of 1 to 8. Only the slave that has chosen R = 1 responds, which is slave C in the example. Knowing that there are more slaves in the field, the master continues issuing REQB commands, which in the example, eventually identifies all slaves. Due to its statistical nature, probabilistic anticollision is less likely to find every slave in the field than the time-slot anticollision.

	TESTING FOR SLAVES	ATTEMPT 1	ATTEMPT 2	ATTEMPT 3	ATTEMPT 4	ATTEMPT 5	ATTEMPT 6
MASTER	REQB (N = 1)	REQB (N = 8)	REQB (N = 8)	REQB (N = 8)	REQB (N = 8)	REQB (N = 8)	REQB (N = 8)
SLAVE A		ATQB (R = 3)	ATQB (R = 7)	ATQB (R = 1)	ATQB (R = 3)	ATQB (R = 6)	ATQB (R = 8)
SLAVE B		ATQB (R = 6)	ATQB (R = 4)	ATQB (R = 8)	ATQB (R = 8)	ATQB (R = 5)	ATQB (R = 1)
SLAVE C		ATQB (R = 1)	ATQB (R = 8)	ATQB (R = 2)	ATQB (R = 4)	ATQB (R = 3)	ATQB (R = 4)
SLAVE D		ATQB (R = 2)	ATQB (R = 1)	ATQB (R = 5)	ATQB (R = 8)	ATQB (R = 4)	ATQB (R = 2)

Figure 29. Probabilistic Anticollision Example

ISO/IEC 14443 Type B-Compliant 64-Bit UID

MAX66000

	TESTING FOR SLAVES	SLOT 1	SLOT 2	SLOT 3	SLOT 4	SLOT 5	SLOT 6	SLOT 7	SLOT 8
MASTER	REQB (N = 1)	REQB (N = 8)	SM2	SM3	SM4	SM5	SM6	SM7	SM8
SLAVE A		ATQB (R = 3)		ATQB					
SLAVE B		ATQB (R = 6)					ATQB		
SLAVE C		ATQB (R = 1)	ATQB						
SLAVE D		ATQB (R = 2)		ATQB					

Figure 30. Time-Slot Anticollision Example

Time-Slot Anticollision

The master starts the anticollision process by issuing an REQB or WUPB command. The WUPB command involves any slave in the field with a matching AFI code. The REQB command performs the same function, but is ignored by slaves in the HALT state. Both commands include the parameter N, which according to Table 2 specifies the number of slots to be used in the anticollision protocol.

If N = 1, all participating slaves respond with the ATQB response. If N is greater than one, then each slave selects a random number R in the range of 1 to N. If a slave happens to choose R = 1, then it responds with ATQB. If R is greater than 1, then the slave waits for a SLOT-MARKER command with a slot number that is equal to R and then responds with ATQB. The master must try all slot numbers from 2 to N to ensure that no slave is missed.

The ATQB response contains a field named PUPI, which is used to direct commands to a specific slave during the anticollision process. When the master receives an ATQB response, it should issue a matching HLTB command to halt the slave, or issue a matching ATTRIB command to assign a CID and place the slave in the ACTIVE state. A slave in the ACTIVE state ignores all REQB, WUPB, SLOT-MARKER, ATTRIB, and HLTB commands, but responds to the DESELECT command.

An ATQB response received with a CRC error indicates a collision because two or more slaves have responded

at the same time. Typically the master continues issuing SLOT-MARKER commands to test for slaves with random numbers R different from 1. If additional collisions were encountered, the master must issue a new REQB command, causing each slave in the field that is not in the HALT or ACTIVE state to select a new random number R. The anticollision process then continues in this manner until all slaves in the field have been identified and put either into the HALT or ACTIVE state.

Figure 30 shows an example of the time-slot anticollision, assuming that there are four slaves in IDLE state in the field. The process begins with the master sending an REQB request with N = 1, which forces all slaves to respond with ATQB, resulting in a collision. Knowing that slaves are present, the master now sends REQB with N = 8. This causes all slaves to select a random number in the range of 1 to 8. This does not prevent two slaves from choosing the same value for R, but the higher N is, the less likely this is to occur. In the example, slave C has chosen R = 1 and responds right after REQB. The master now sends a SLOT-MARKER command with slot number 2 (SM2), which causes slave D to respond. The master continues testing all slots, and, if a slave with matching R is present, receives an ATQB. In case the master detects a collision in a slot, the slaves identified in the remaining slots need to be put in the HALT or ACTIVE state first, before another anticollision process is started. Note that there is no need for the master to test the slots in numerical order, as in the example.

ISO/IEC 14443 Type B-Compliant 64-Bit UID

CRC Generation

The ISO/IEC 14443 standard uses a 16-bit CRC, generated according to the CRC-16-CCITT polynomial function: $X^{16} + X^{12} + X^5 + 1$ (Figure 31). This CRC is used for error detection in request and response data packets and is always communicated in the inverted form.

After all data bytes are shifted into the CRC generator, the state of the 16 flip-flops is parallel-copied to a shift register and shifted out for transmission with the LSb first. For more details on this CRC refer to ISO/IEC 14443-3, Annex B, CRC_B encoding.

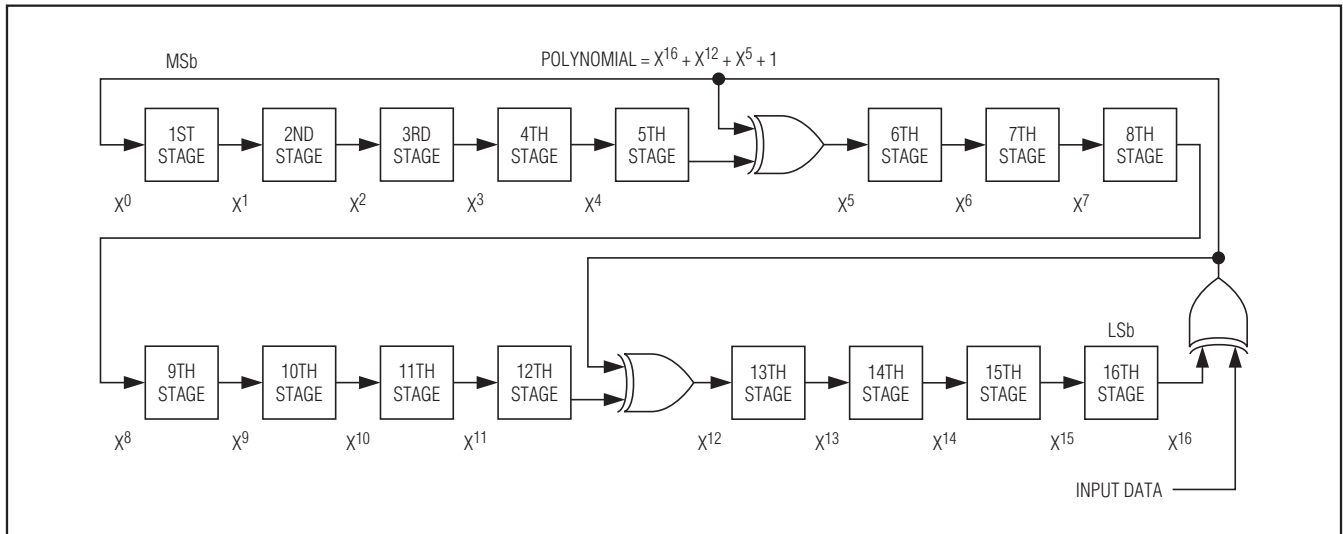


Figure 31. CRC-16-CCITT Generator

ISO/IEC 14443 Type B-Compliant 64-Bit UID

MAX66000

Command-Specific ISO/IEC 14443 Communication Protocol—Legend

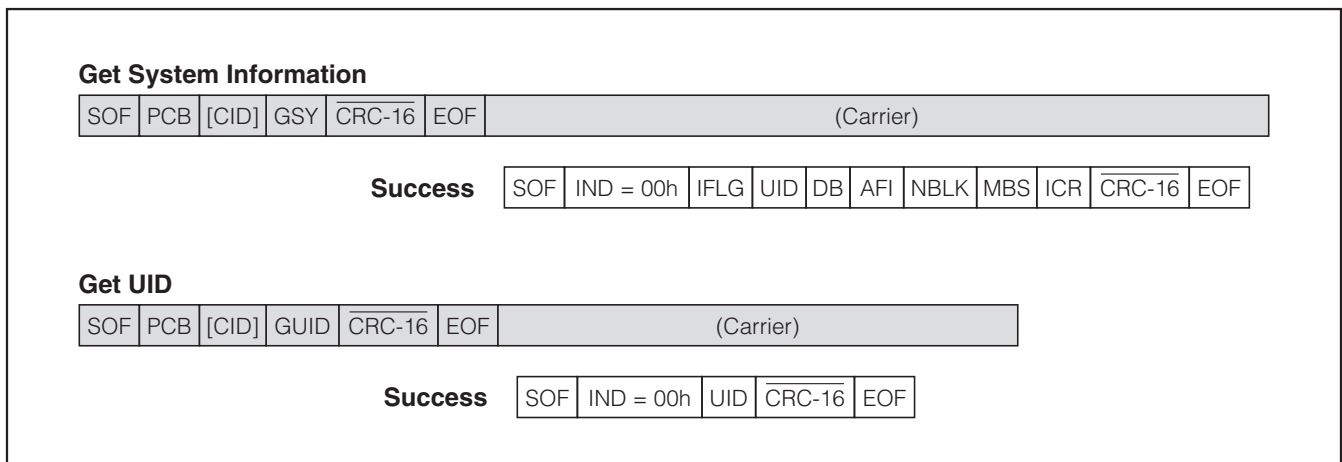
SYMBOL	DESCRIPTION
GSY	Command “Get System Information”
GUID	Command “Get UID”
SOF	Start Of Frame
PCB	Protocol Control Byte (see section <i>ISO/IEC 14443 Block Transmission Protocol</i> for details)
[CID]	The tag’s assigned card identifier (see section <i>Network Function Commands</i> for details). The brackets [] indicate that the transmission of the CID depends on the Protocol Control Byte (PCB).
CRC-16	Transmission of an inverted CRC-16 (2 bytes) generated according to CRC16-CCITT.
EOF	End Of Frame
IND	Response indicator byte
IFLG	Info Flags byte
UID	The tag’s unique 8-byte identification number
DB	Dummy byte
AFI	Application Family Identifier byte
NBLK	Number of Blocks byte (slave memory size indicator)
MBS	Memory Block Size byte (slave memory block size)
ICR	IC-Reference byte (slave chip revision)

Command-Specific ISO/IEC 14443 Communication Protocol—Color Codes

<table border="1"> <tr> <td>Master-to-Slave</td> <td>Slave-to-Master</td> </tr> </table>	Master-to-Slave	Slave-to-Master
Master-to-Slave	Slave-to-Master	

ISO/IEC 14443 Communication Examples

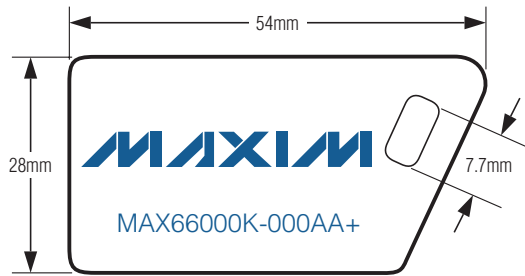
Precondition: The slave device is already in the ACTIVE state. See section *Network Function Commands* on how to enter and exit the ACTIVE state.



ISO/IEC 14443 Type B-Compliant 64-Bit UID

Mechanical Drawings

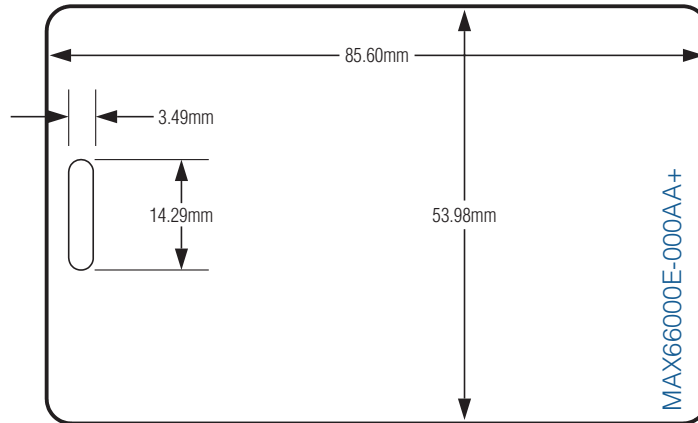
TOP VIEW



SIDE VIEW



TOP VIEW



SIDE VIEW



ISO/IEC 14443 Type B-Compliant 64-Bit UID

Revision History

REVISION NUMBER	REVISION DATE	DESCRIPTION	PAGES CHANGED
0	1/11	Initial release	—

MAX66000

Maxim cannot assume responsibility for use of any circuitry other than circuitry entirely embodied in a Maxim product. No circuit patent licenses are implied. Maxim reserves the right to change the circuitry and specifications without notice at any time.

Maxim Integrated Products, 120 San Gabriel Drive, Sunnyvale, CA 94086 408-737-7600 _____ 21