



Chipsmall Limited consists of a professional team with an average of over 10 year of expertise in the distribution of electronic components. Based in Hongkong, we have already established firm and mutual-benefit business relationships with customers from,Europe,America and south Asia,supplying obsolete and hard-to-find components to meet their specific needs.

With the principle of "Quality Parts,Customers Priority,Honest Operation,and Considerate Service",our business mainly focus on the distribution of electronic components. Line cards we deal with include Microchip,ALPS,ROHM,Xilinx,Pulse,ON,Everlight and Freescale. Main products comprise IC,Modules,Potentiometer,IC Socket,Relay,Connector.Our parts cover such applications as commercial,industrial, and automotives areas.

We are looking forward to setting up business relationship with you and hope to provide you with the best service and solution. Let us make a better world for our industry!



## Contact us

Tel: +86-755-8981 8866 Fax: +86-755-8427 6832

Email & Skype: info@chipsmall.com Web: www.chipsmall.com

Address: A1208, Overseas Decoration Building, #122 Zhenhua RD., Futian, Shenzhen, China





## Low-Voltage Analog Temperature Sensors in SC70 and SOT23 Packages

### General Description

The MAX6607/MAX6608 precision, low-voltage, analog output temperature sensors are available in 5-pin SC70 and SOT23 packages. The devices have a +1.8V to +3.6V supply voltage range and 8 $\mu$ A supply current over the -20°C to +85°C temperature range. Accuracy is  $\pm 0.6^\circ\text{C}$  (typ) from  $T_A = +20^\circ\text{C}$  to +50°C and is  $\pm 0.7^\circ\text{C}$  (typ) from  $T_A = 0^\circ\text{C}$  to +70°C.

The MAX6607/MAX6608 output voltage depends on its die temperature and has a slope of 10mV/°C and an offset of 500mV at 0°C.

### Features

- ◆ Operate Down to 1.8V Supply
- ◆ Low Current Consumption (15 $\mu$ A max)
- ◆ Small SC70 and SOT23 Packages
- ◆  $\pm 2.0^\circ\text{C}$  (max) Accuracy from +20°C to +50°C
- ◆ Optimized to Drive Capacitive Loads Up to 1000pF

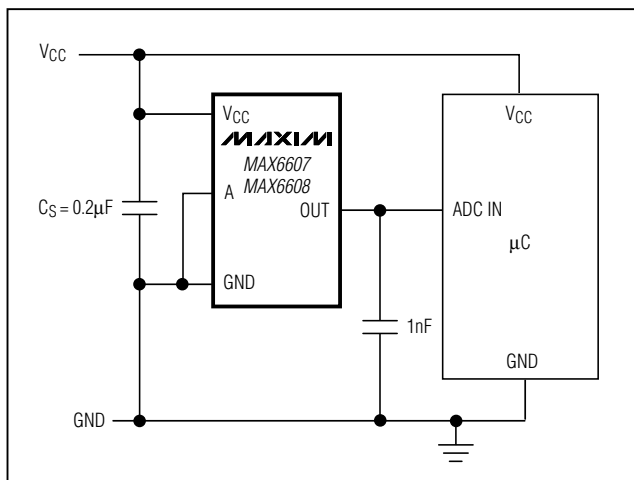
### Applications

Cellular Phones	Digital Cameras
Battery Packs	Portable Equipment
GPS Equipment	

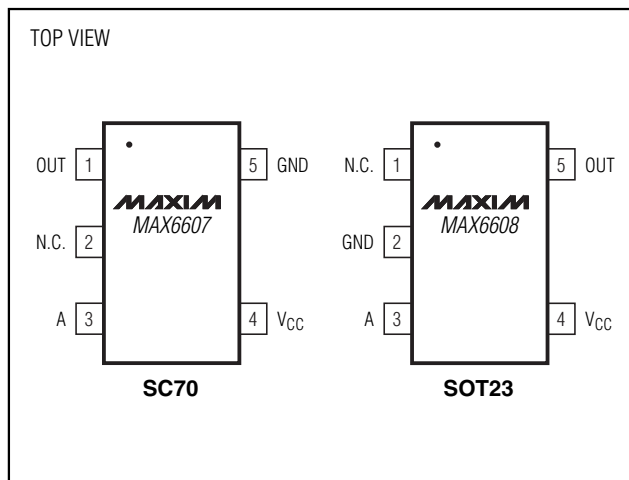
### Ordering Information

PART	TEMP. RANGE	PIN-PACKAGE
MAX6607IXK-T	-20°C to +85°C	5-SC70-5
MAX6608IUK-T	-20°C to +85°C	5-SOT23-5

### Typical Application Circuit



### Pin Configurations



# Low-Voltage Analog Temperature Sensors in SC70 and SOT23 Packages

## ABSOLUTE MAXIMUM RATINGS

V<sub>CC</sub> to GND .....-0.3V to +6V  
 OUT, A to GND .....-0.3V to (V<sub>CC</sub> + 0.3V)  
 ESD Protection (Human Body Model) .....>2000V  
 Current into Any Pin .....10mA  
 Output Short-Circuit Duration .....Continuous  
 Continuous Power Dissipation (T<sub>A</sub> = +70°C)  
   5-Pin SC70 (derate 3.1mW/°C above +70°C) .....245mW  
   5-Pin SOT23 (derate 7.1mW/°C above +70°C) .....571mW

Operating Temperature Range .....-55°C to +125°C  
 Junction Temperature .....+150°C  
 Storage Temperature Range .....-65°C to +150°C  
 Lead Temperature (soldering, 10s) .....+300°C

*Stresses beyond those listed under "Absolute Maximum Ratings" may cause permanent damage to the device. These are stress ratings only, and functional operation of the device at these or any other conditions beyond those indicated in the operational sections of the specifications is not implied. Exposure to absolute maximum rating conditions for extended periods may affect device reliability.*

## ELECTRICAL CHARACTERISTICS

(V<sub>CC</sub> = +1.8V to +3.6V, C<sub>L</sub> = 1nF, T<sub>A</sub> = -20°C to +85°C, typical values are at T<sub>A</sub> = +25°C, unless otherwise noted.) (Note 1)

PARAMETER	SYMBOL	CONDITIONS	MIN	TYP	MAX	UNITS	
Temperature Error		V <sub>CC</sub> = +2.4V	T <sub>A</sub> = +20°C to +50°C	-2.0	0.6	+2.0	°C
			T <sub>A</sub> = 0°C to +70°C	-3.5	0.7	+3.5	
			T <sub>A</sub> = -10°C to +85°C	-5.0	1.0	+5.0	
			T <sub>A</sub> = -20°C to -10°C	-6.0	1.5	+6.0	
Supply Voltage	V <sub>CC</sub>		1.8		3.6	V	
Maximum Rate of Rise of Supply Voltage (Note 2)		V <sub>CC</sub> < 2.8V	T <sub>A</sub> = +70°C		1000	V/s	
			T <sub>A</sub> = +80°C		500		
			T <sub>A</sub> = +85°C		100		
Supply Current	I <sub>Q</sub>	No load		8	15	μA	
Output Voltage	V <sub>OUT</sub>	T <sub>A</sub> = 0°C		500		mV	
Sensor Gain (Average Slope)				10		mV/°C	
Maximum Capacitive Load				1		nF	
Load Regulation		I <sub>OUT</sub> = -1.2μA to +20μA		0.15	0.2	°C/μA	
Line Regulation				0.3	0.9	°C/V	

**Note 1:** All parameters are measured at T<sub>A</sub> = +25°C. Specifications over temperature range are guaranteed by design.

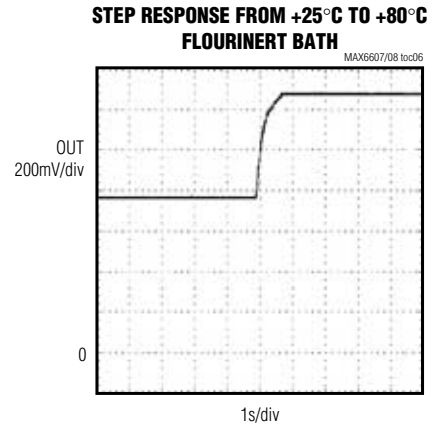
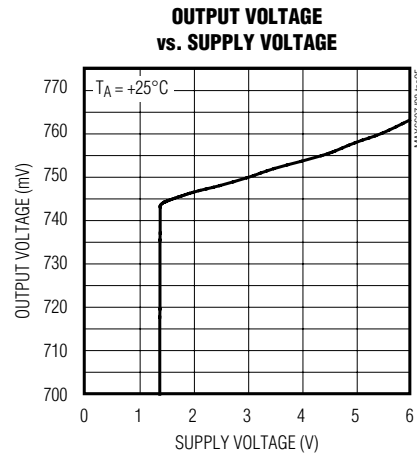
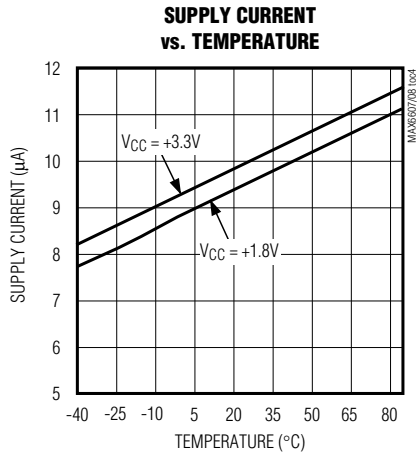
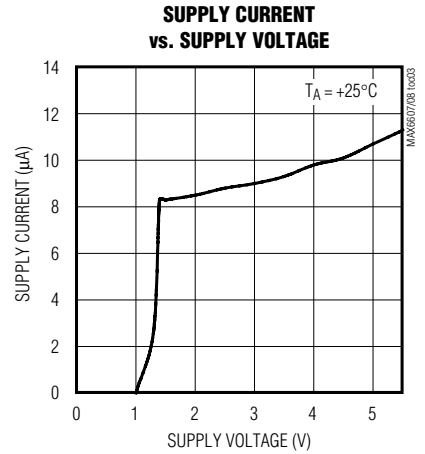
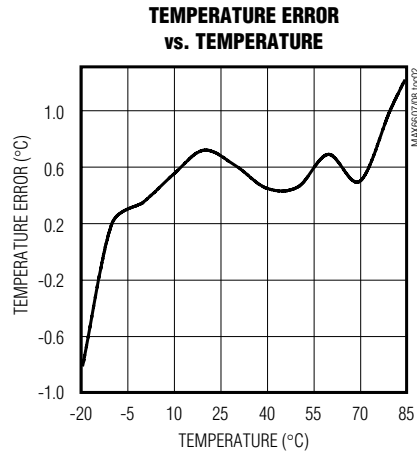
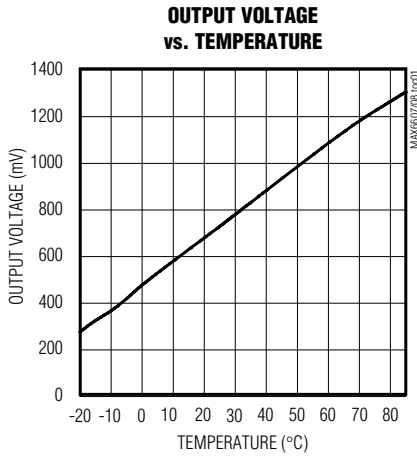
**Note 2:** Not production tested, guaranteed by design.

# Low-Voltage Analog Temperature Sensors in SC70 and SOT23 Packages

## Typical Operating Characteristics

( $V_{CC} = +1.8V$ ,  $C_S = 0.1\mu F$ ,  $C_L = 1nF$ , unless otherwise noted.)

MAX6607/MAX6608



# Low-Voltage Analog Temperature Sensors in SC70 and SOT23 Packages

## Pin Description

PIN		NAME	FUNCTION
SC70	SOT23		
1	5	OUT	Temperature Sensor Output
2	1	N.C.	Not Connected
3	3	A	Must be connected to GND.
4	4	V <sub>CC</sub>	Supply Input. Decouple with a 0.1μF capacitor to GND.
5	2	GND	Ground

## Detailed Description

The MAX6607/MAX6608 analog output temperature sensors' output voltage is a linear function of its die temperature. The slope of the output voltage is 10mV/°C, and there is a 500mV offset at 0°C to allow measurement of negative temperatures. The maximum supply current is 15μA, and the supply voltage range is from +1.8V to +3.6V for the -20°C to +85°C temperature range.

### Transfer Function

The temperature-to-voltage transfer function has an approximately linear positive slope and can be described by the equation:

$$V_{OUT} = 500\text{mV} + (T \times 10\text{mV}/^{\circ}\text{C})$$

where T is the die temperature of the MAX6607/MAX6608 in °C.

Therefore:

$$T (^{\circ}\text{C}) = (V_{OUT} - 500\text{mV}) / 10\text{mV}/^{\circ}\text{C}$$

## Applications Information

### Sensing Circuit Board and Ambient Temperatures

Temperature sensor ICs like the MAX6607/MAX6608 that sense their own die temperatures must be mounted on, or close to, the object whose temperature they are intended to measure. Because there is a good thermal path between the package's metal leads and the IC die, the MAX6607/MAX6608 can accurately measure the temperature of the circuit board to which it is soldered. If the sensor is intended to measure the temperature of a heat-generating component on the circuit board, it should be mounted as close as possible to that component and should share supply and ground traces (if they are not noisy) with that component where possible. This maximizes the heat transfer from the component to the sensor.

The thermal path between the plastic package and the die is not as good as the path through the leads, so the MAX6607/MAX6608, like all temperature sensors in plastic packages, are less sensitive to the temperature of the surrounding air than they are to the temperature of their leads. They can be successfully used to sense ambient temperature if the circuit board is designed to track the ambient temperature.

As with any IC, the wiring and circuits must be kept insulated and dry to avoid leakage and corrosion, especially if the part is operated at cold temperatures where condensation can occur.

The error introduced by the part self-heating is negligible.

## Chip Information

TRANSISTOR COUNT: 111

PROCESS: BiCMOS

# Low-Voltage Analog Temperature Sensors in SC70 and SOT23 Packages

## Package Information

SYMBOL	MIN	MAX
e	0.65	BSC
D	1.80	2.20
b	0.15	0.30
E	1.15	1.35
HE	1.80	2.40
Q1	0.10	0.40
A2	0.80	1.00
A1	0.00	0.10
A	0.80	1.10
c	0.10	0.18
L	0.10	0.30
L1	0.425	TYP.

NOTE:

1. ALL DIMENSIONS ARE IN MILLIMETERS
2. DIMENSIONS ARE INCLUSIVE OF PLATING
3. DIMENSIONS ARE EXCLUSIVE OF MOLD FLASH & METAL BURR
4. ALL SPECIFICATIONS COMPLY TO EIAJ SC70
5. COPLANARITY 4 MILS. MAX.

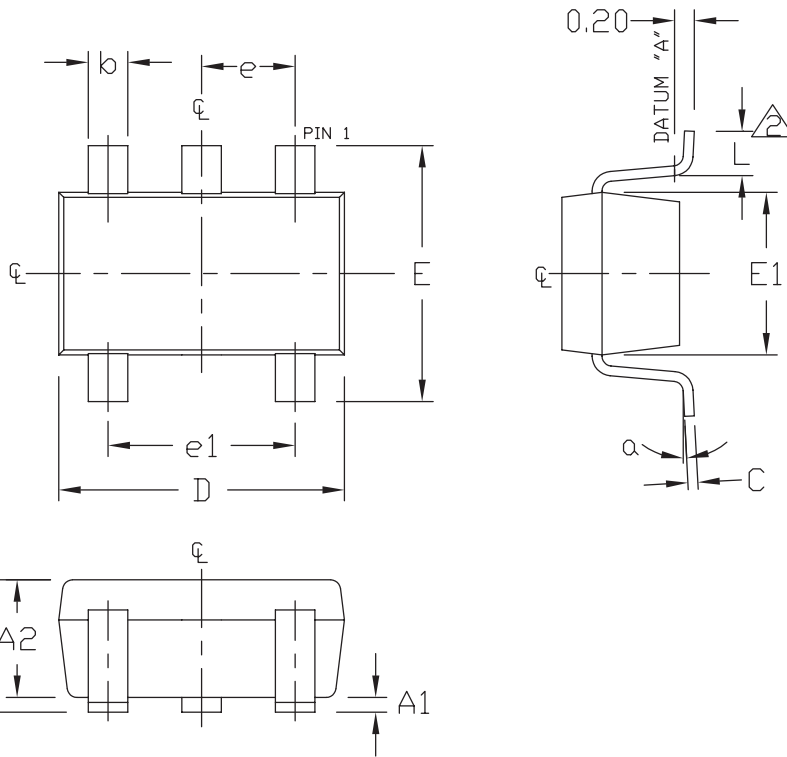
<b>MAXIM</b>			
PROPRIETARY INFORMATION			
TITLE: PACKAGE OUTLINE, SC70, 5L			
APPROVAL	DOCUMENT CONTROL NO. 21-0076	REV B	1/1

SC70, 5L.EPS

MAX6607/MAX6608

# Low-Voltage Analog Temperature Sensors in SC70 and SOT23 Packages

## Package Information (continued)



SYMBOL	MIN	MAX
A	0.90	1.45
A1	0.00	0.15
A2	0.90	1.30
b	0.35	0.50
C	0.08	0.20
D	2.80	3.00
E	2.60	3.00
E1	1.50	1.75
L	0.35	0.55
e	0.95 REF	
e1	1.90 REF	
α	0°	10°

NOTES:

1. ALL DIMENSIONS ARE IN MILLIMETERS.
2. FOOT LENGTH MEASURED AT INTERCEPT POINT BETWEEN DATUM A & LEAD SURFACE.
3. PACKAGE OUTLINE EXCLUSIVE OF MOLD FLASH & METAL BURR.
4. PACKAGE OUTLINE INCLUSIVE OF SOLDER PLATING.
5. MEETS JEDEC MO178.

<b>MAXIM</b>			
<small>PROPRIETARY INFORMATION</small>			
<small>TITLE:</small>			
PACKAGE OUTLINE, SOT-23, 5L			
<small>APPROVAL</small>	<small>DOCUMENT CONTROL NO.</small>	<small>REV</small>	<small>1/1</small>
	21-0057	C	

Maxim cannot assume responsibility for use of any circuitry other than circuitry entirely embodied in a Maxim product. No circuit patent licenses are implied. Maxim reserves the right to change the circuitry and specifications without notice at any time.

6 Maxim Integrated Products, 120 San Gabriel Drive, Sunnyvale, CA 94086 408-737-7600