

Chipsmall Limited consists of a professional team with an average of over 10 year of expertise in the distribution of electronic components. Based in Hongkong, we have already established firm and mutual-benefit business relationships with customers from,Europe,America and south Asia,supplying obsolete and hard-to-find components to meet their specific needs.

With the principle of “Quality Parts,Customers Priority,Honest Operation,and Considerate Service”,our business mainly focus on the distribution of electronic components. Line cards we deal with include Microchip,ALPS,ROHM,Xilinx,Pulse,ON,Everlight and Freescale. Main products comprise IC,Modules,Potentiometer,IC Socket,Relay,Connector.Our parts cover such applications as commercial,industrial, and automotives areas.

We are looking forward to setting up business relationship with you and hope to provide you with the best service and solution. Let us make a better world for our industry!



Contact us

Tel: +86-755-8981 8866 Fax: +86-755-8427 6832

Email & Skype: info@chipsmall.com Web: www.chipsmall.com

Address: A1208, Overseas Decoration Building, #122 Zhenhua RD., Futian, Shenzhen, China

MAXIM

MAX6629 Evaluation Kit

General Description

The MAX6629 evaluation kit (EV kit) is an assembled and tested PC board that demonstrates the MAX6629 temperature sensor. It monitors the junction temperature of the MAX6629 and converts the temperature to 12-bit + sign data.

Windows 95/98/2000®-compatible software provides a user-friendly interface to exercise the features of the MAX6629. The program is menu driven and offers a graphic interface with control buttons and temperature display.

Component List

DESIGNATION	QTY	DESCRIPTION
C1, C4	2	0.1µF, 16V X7R ceramic capacitors (0603) Taiyo Yuden EMK107BJ104KA, Murata GRM39X7R104K016, or TDK C1608X7R1C104K
C2	1	0.1µF, 50V X7R ceramic capacitor (0805) Taiyo Yuden UMK212BJ104KG, Murata GRM40X7R104K050, or TDK C2012X7R1H104K
C3	1	2.2µF, 16V X7R ceramic capacitor (1206) Taiyo Yuden EMK316BJ225ML, Murata GRM426X7R225K016, or TDK C3216X7R1C225M
J1	1	DB25 male right-angle connector
JU1-JU6	0	Not installed
U1	1	MAX6629MUT
U2	1	MAX1615EUK
U3	1	74HCT04 hex inverter

Component Suppliers

SUPPLIER	PHONE	FAX
Murata	814-237-1431	814-238-0490
Taiyo Yuden	408-573-4150	408-573-4159
TDK	847-803-6100	847-803-6296

Windows is a registered trademark of Microsoft Corp.

SPI is a trademark of Motorola, Inc.

Features

- ◆ Measures and Displays Temperature
- ◆ SPI™-Compatible Serial Interface
- ◆ Easy-to-Use Menu-Driven Software
- ◆ Available in a 6-Pin SOT23 Package
- ◆ Assembled and Tested
- ◆ Includes Windows 95/98/2000-Compatible Software and Demo PC Board

Ordering Information

PART	TEMP. RANGE	IC PACKAGE
MAX6629EVKIT*	0°C to +70°C	6 SOT23

*To evaluate the MAX6630, MAX6631, or MAX6632, order a free sample of the MAX6630MUT, MAX6631MUT, or MAX6632MUT.

Quick Start

Required Equipment

Before you begin, you will need the following equipment:

- An IBM PC-compatible computer running Windows 95/98/2000
- A parallel printer port (this is a 25-pin socket on the back of the computer)
- A standard 25-pin, straight-through, male-to-female cable (printer extension cable) to connect the computer's parallel port to the MAX6629 EV kit
- A DC power supply capable of supplying any voltage between +7V and +20V at 100mA

Procedure

Do not turn on the power until all connections are made.

- 1) Connect a cable from the computer's parallel port to the MAX6629 EV kit. Use a straight-through 25-pin female-to-male cable. To avoid damaging the EV kit or your computer, do not use a 25-pin SCSI port or any other connector that is physically similar to the 25-pin parallel printer port.
- 2) The MAX6629.EXE software program can be run from the floppy or hard drive. Use the Windows program manager to run the program. If desired, you may use the INSTALL.EXE program to copy the files

MAX6629 Evaluation Kit

and create icons for them in the Windows 95/98/2000 Start menu. An uninstall program is included with the software. Click on the UNINSTALL icon to remove the EV kit software from the hard drive.

- 3) Connect the +7V to +20V supply to the pads labeled VIN and GND.
- 4) Turn on the power supply.
- 5) Start the MAX6629 program by opening its icon in the Start menu.
- 6) Observe as the program automatically detects the MAX6629 and starts the main program.

Detailed Description

Figure 1 is the main display for the MAX6629 EV kit.

User-Interface Panel

The user interface is easy to operate. Use either the mouse or the Tab key to navigate. **Note:** Words in bold face are user-selectable features in the software.

The program continually polls the device for new temperature data. To disable the continuous polling of data, uncheck the **Automatic Read** checkbox. Press **Read Temp** to get the current temperature.

Data Logging

Check the **Data Logging** checkbox to activate data logging. Data logging saves temperature and status data to a text file that includes a time/date stamp next to each data point. If **Automatic Read** is enabled, data is sampled at 1Hz; however, the data is logged to the file only if the temperature changes. This slows the growth of the data-logging file. When **Automatic Read** is disabled, the data is logged each time the **Read Temp** button is clicked. To stop data logging, uncheck the **Data Logging** checkbox.

General-Purpose SPI Utility

There are two methods for communicating with the MAX6629: through the user-interface panel or through the general-purpose SPI utility. This utility (Figure 2) configures SPI parameters such as clock polarity (CPOL), clock phase (CPHA), and chip-select (CS) polarity.

The fields where pin numbers are required apply to the pins of the parallel port connector.

The utility handles the data only in byte (8-bit) format. Data longer than a byte must be handled as multiple bytes. For example, a 16-bit word should be broken into two 8-bit bytes.

To write data to the slave device, enter the data into the field labeled Data bytes to be written. Each data byte should be hexadecimal, prefixed by 0x, and separated with a comma. Press the **Send Now** button to write the data to the slave. **Note:** The MAX6629 is a read-only device and cannot be written to.

To read data from the slave device, the field Data bytes to be written must contain hexadecimal values. Include the same number of bytes as to be read from the slave. For example, to read 16-bit data from the MAX6629, 2 bytes must be written, each prefixed by 0x and separated by a comma (default is 0x00, 0x00). **Note:** When using the SPI utility, uncheck the **Automatic Read** checkbox in the main display (Figure 1).

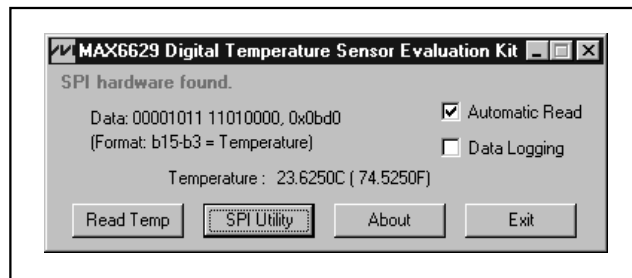


Figure 1. Main Display for MAX6629 EV Kit

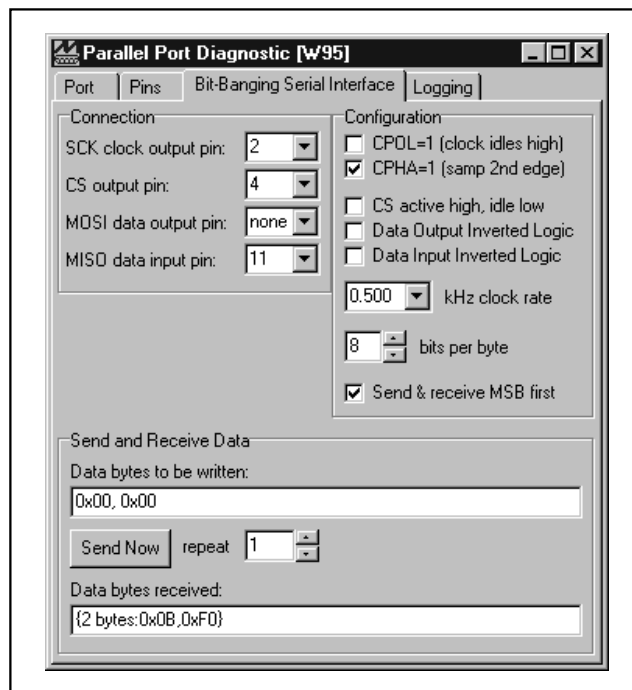


Figure 2. SPI Utility Showing the Settings to Communicate with the MAX6629 EV Kit

MAX6629 Evaluation Kit

Evaluates: MAX6629—MAX6632

Evaluating with a Lower Voltage

The MAX6629 EV kit is configured for operating at +5V. To evaluate the MAX6629 at a lower voltage, cut the traces shorting the pins of JU2 and JU3. Apply the desired voltage (between +3V and +5V) to the VCC pad and apply +5V to the VINVERTER pad.

Caution: Operating the 74HCT04 inverter with a supply voltage below +5V might damage the inverter.

Connecting to a Microcontroller

The MAX6629 EV kit can be monitored externally with a microcontroller or other control device by cutting the traces shorting the pins of JU4, JU5, and JU6 and connecting to the pads labeled SCK, \overline{CS} , and SDO.

Evaluating the MAX6630/ MAX6631/MAX6632

The MAX6629 EV kit can also evaluate the MAX6630, MAX6631, or MAX6632. Remove the MAX6629 from the board and install the new part.

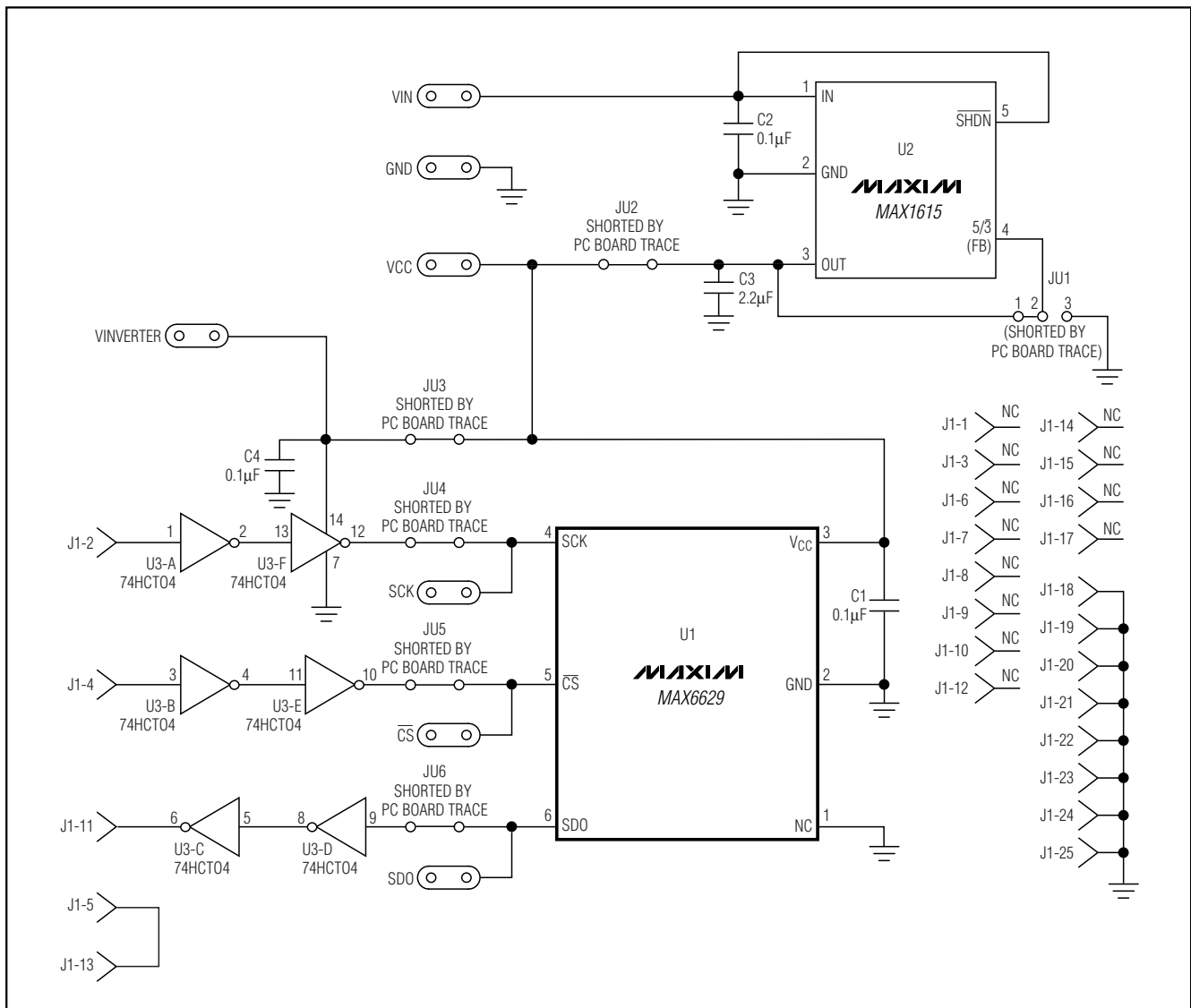


Figure 3. MAX6629 EV Kit Schematic

MAX6629 Evaluation Kit

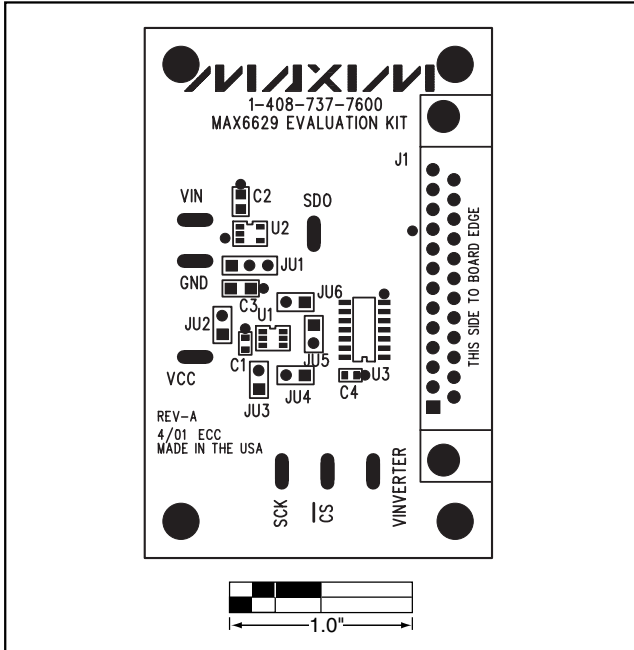


Figure 4. MAX6629 EV Kit Component Placement Guide—Component Side

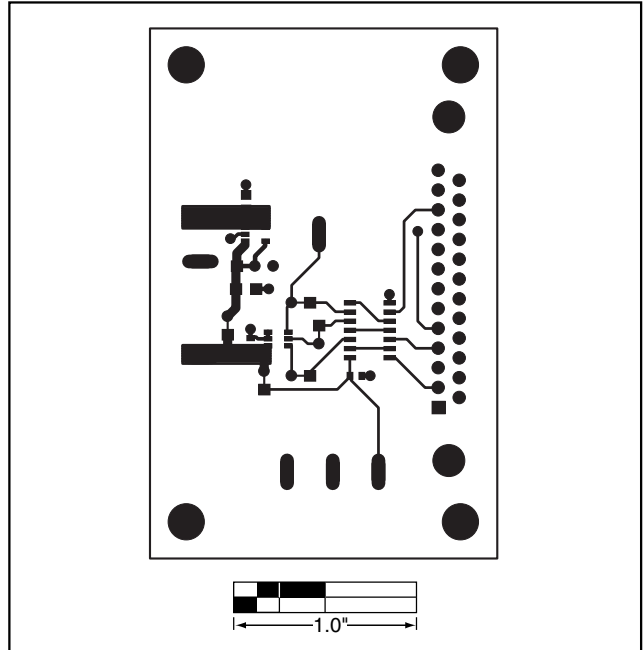


Figure 5. MAX6629 EV Kit PC Board Layout—Component Side

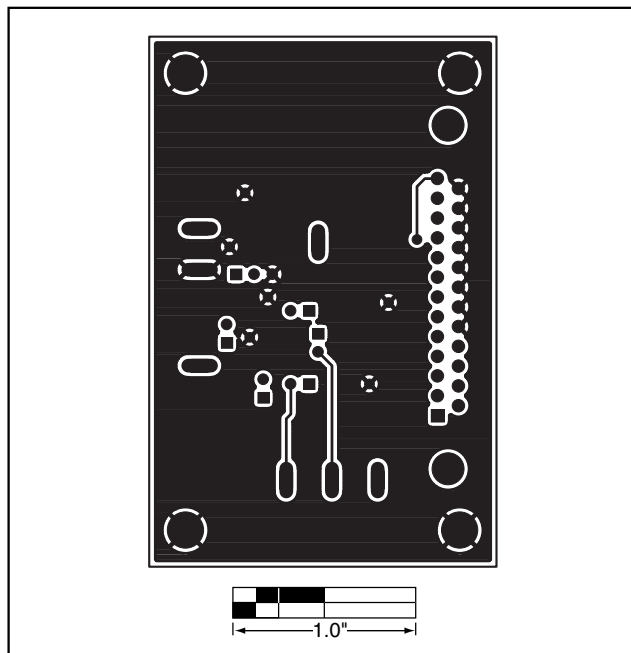


Figure 6. MAX6629 EV Kit PC Board Layout—Solder Side

Maxim cannot assume responsibility for use of any circuitry other than circuitry entirely embodied in a Maxim product. No circuit patent licenses are implied. Maxim reserves the right to change the circuitry and specifications without notice at any time.

4 _____ **Maxim Integrated Products, 120 San Gabriel Drive, Sunnyvale, CA 94086 408-737-7600**