



Chipsmall Limited consists of a professional team with an average of over 10 year of expertise in the distribution of electronic components. Based in Hongkong, we have already established firm and mutual-benefit business relationships with customers from,Europe,America and south Asia,supplying obsolete and hard-to-find components to meet their specific needs.

With the principle of "Quality Parts,Customers Priority,Honest Operation,and Considerate Service",our business mainly focus on the distribution of electronic components. Line cards we deal with include Microchip,ALPS,ROHM,Xilinx,Pulse,ON,Everlight and Freescale. Main products comprise IC,Modules,Potentiometer,IC Socket,Relay,Connector.Our parts cover such applications as commercial,industrial, and automotives areas.

We are looking forward to setting up business relationship with you and hope to provide you with the best service and solution. Let us make a better world for our industry!



Contact us

Tel: +86-755-8981 8866 Fax: +86-755-8427 6832

Email & Skype: info@chipsmall.com Web: www.chipsmall.com

Address: A1208, Overseas Decoration Building, #122 Zhenhua RD., Futian, Shenzhen, China





I²C-Compatible RTC in a TDFN

MAX6900

General Description

The MAX6900, I²C-bus-compatible real-time clock (RTC) in a 6-pin TDFN package contains a real-time clock/calendar and 31-byte × 8-bit wide of static random access memory (SRAM). The real-time clock/calendar provides seconds, minutes, hours, day, date, month, and year information. The end of the month date is automatically adjusted for months with fewer than 31 days, including corrections for leap year up to the year 2100. The clock operates in either the 24hr or 12hr format with an AM/PM indicator.

Applications

Portable Instruments
Point-of-Sale Equipment
Intelligent Instruments
Battery-Powered Products

Features

- ◆ Real-Time Clock Counts Seconds, Minutes, Hours, Date, Month, Day, and Year
- ◆ Leap Year Compensation Valid up to Year 2100
- ◆ Fast (400kHz) I²C-Bus-Compatible Interface from 2.0V to 5.5V
- ◆ 31 × 8 SRAM for Scratchpad Data Storage
- ◆ Uses Standard 32.768kHz, 12.5pF Load, Watch Crystal
- ◆ Ultra-Low 225nA (typ) Timekeeping Current
- ◆ Single-Byte or Multiple-Byte (Burst Mode) Data Transfer for Read or Write of Clock Registers or SRAM
- ◆ 6-Pin 3mm x 3mm x 0.8mm TDFN Surface-Mount Package
- ◆ No External Crystal Bias Resistors or Capacitors Required

Ordering Information

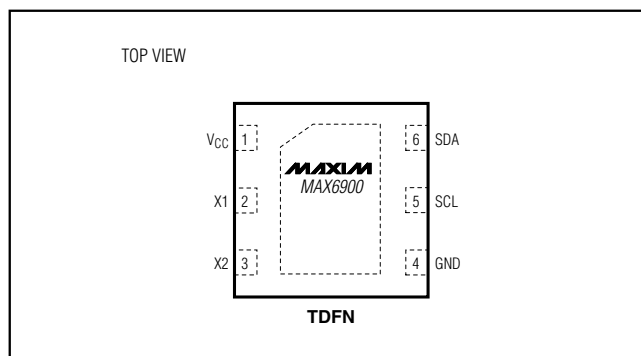
PART	TEMP RANGE	PIN-PACKAGE	TOP MARK
MAX6900ETT-T	-40°C to +85°C	6 TDFN	AEU

Related Real-Time Clock Products

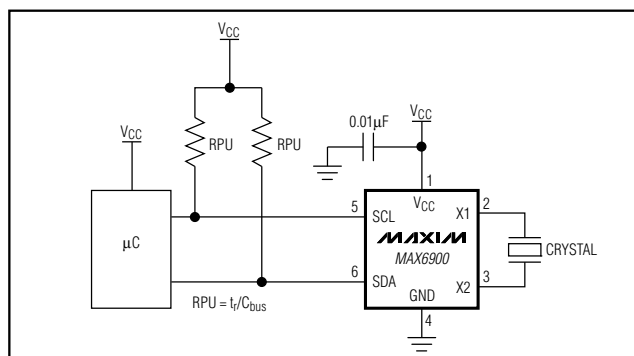
PART	SERIAL BUS	SRAM	ALARM FUNCTION	OUTPUT FREQUENCY	PIN-PACKAGE
MAX6900	I ² C compatible	31 × 8	—	—	6 TDFN
MAX6901	3-wire	31 × 8	Polled	32kHz	8 TDFN
MAX6902	SPI™ compatible	31 × 8	Polled	—	8 TDFN

SPI is a trademark of Motorola, Inc.

Pin Configuration



Typical Operating Circuit



I²C-Compatible RTC in a TDFN

ABSOLUTE MAXIMUM RATINGS

V _{CC} to GND	-0.3V to +6V
All Other Pins to GND	-0.3V to (V _{CC} + 0.3V)
Input Current	
All Pins	20mA
Output Current	
All Outputs	20mA
Rate of Rise, V _{CC}	100V/μs

Continuous Power Dissipation (T _A = +70°C)	
6-Pin TDFN (derate 24.4mW/°C above +70°C)	1951.0mW
Operating Temperature Range	T _{MIN} to T _{MAX}
MAX6900 ETT-T	T _{MIN} = -40°C, T _{MAX} = +85°C
Junction Temperature	+150°C
Storage Temperature Range	-65°C to +150°C
ESD Protection (all pins, Human Body model)	2000V
Lead Temperature (soldering, 10s)	+300°C

Stresses beyond those listed under "Absolute Maximum Ratings" may cause permanent damage to the device. These are stress ratings only, and functional operation of the device at these or any other conditions beyond those indicated in the operational sections of the specifications is not implied. Exposure to absolute maximum rating conditions for extended periods may affect device reliability.

DC ELECTRICAL CHARACTERISTICS

(V_{CC} = +2.0V to +5.5V, T_A = T_{MIN} to T_{MAX}, unless otherwise noted. Typical values are at V_{CC} = +3.3V, T_A = +25°C.) (Note 1)

PARAMETER	SYMBOL	CONDITIONS	MIN	TYP	MAX	UNITS
Operating Voltage Range	V _{CC}		2		5.5	V
Active Supply Current (Note 2)	I _{CC}	V _{CC} = +2.0V			30	μA
		V _{CC} = +5.0V			110	
Timekeeping Supply Current (Note 3)	I _{TK}	V _{CC} = +2.0V		0.225	0.630	μA
		V _{CC} = +5.0V		1.2	1.7	
2-WIRE DIGITAL INPUTS SCL, SDA						
Input High Voltage	V _{IH}		0.7 x V _{CC}			V
Input Low Voltage	V _{IL}				0.3 x V _{CC}	V
Input Hysteresis (Note 5)	V _{HYS}		0.05 x V _{CC}			V
Input Leakage Current (Note 4)		0 < V _{IN} < V _{CC}	-10		10	nA
Input Capacitance (Note 5)					10	pF
2-WIRE DIGITAL OUTPUT SDA						
Output Low Voltage	V _{OL}	I _{SINK} = 4mA			0.4	V

AC ELECTRICAL CHARACTERISTICS

(V_{CC} = +2.0V to +5.5V, T_A = T_{MIN} to T_{MAX}, unless otherwise noted. Typical values are at V_{CC} = +3.3V, T_A = +25°C.) (Notes 1, 6)

PARAMETER	SYMBOL	CONDITIONS	MIN	TYP	MAX	UNITS
OSCILLATOR						
X1 to Ground Capacitance				25		pF
X2 to Ground Capacitance				25		pF
FAST I²C-BUS-COMPATIBLE TIMING						
SCL Clock Frequency	f _{SCL}		0		400	kHz
Bus Free Time Between STOP and START Condition (Note 4)	t _{BUF}		1.3			μs

I²C-Compatible RTC in a TDFN

MAX6900

AC ELECTRICAL CHARACTERISTICS (continued)

(V_{CC} = +2.0V to +5.5V, T_A = T_{MIN} to T_{MAX}, unless otherwise noted. Typical values are at V_{CC} = +3.3V, T_A = +25°C.) (Notes 1, 6)

PARAMETER	SYMBOL	CONDITIONS	MIN	TYP	MAX	UNITS
Hold Time After (Repeated) START Condition (After this Period, the First Clock Is Generated)	t _{HD:STA}		0.6			μs
Repeated START Condition Setup Time	t _{SU:STA}		0.6			μs
STOP Condition Setup Time	t _{SU:STO}		0.6			μs
Data Hold Time (Note 7)	t _{HD:DAT}		0		0.9	μs
Data Setup Time	t _{SU:DAT}		100			ns
SCL Low Period	t _{LOW}		1.3			μs
SCL High Period	t _{HIGH}		0.6			μs
Minimum SCL/SDA Rise Time (Note 8)	t _r			20 + 0.1C _B		ns
Maximum SCL/SDA Rise Time (Note 8)	t _r			300		ns
Minimum SCL/SDA Fall Time (Receiving) (Notes 8, 9)	t _f			20 + 0.1C _B		ns
Maximum SCL/SDA Fall Time (Receiving) (Notes 8, 9)	t _f			300		ns
Minimum SDA Fall Time (Transmitting) (Notes 8, 9)	t _f			20 + 0.1C _B		ns
Maximum SDA Fall Time (Transmitting) (Notes 8, 9)	t _f			250		ns
Pulse Width of Spike Suppressed	t _{SP}			50		ns
Capacitive Load for Each Bus Line	C _B				400	pF

Note 1: All parameters are 100% tested at T_A = +25°C. Limits over temperature are guaranteed by design and not production tested.

Note 2: I_{CC} is specified with SCL = 400kHz and SDA = 400kHz.

Note 3: I_{TK} is specified with SCL = Logic High (4.7kΩ pullup resistor) and SDA = Logic High (4.7kΩ pullup resistor); I²C-compatible bus inactive.

Note 4: MAX6900 I/O pins do not obstruct the SDA and SCL lines if V_{CC} is switched off.

Note 5: Guaranteed by design. Not subject to production testing.

Note 6: All values referred to V_{IH min} and V_{IL max} levels.

Note 7: The MAX6900 internally provides a hold time of at least 300ns for the SDA signal (referred to the V_{IH min} of the SCL signal) in order to bridge the undefined region of the falling edge of SCL.

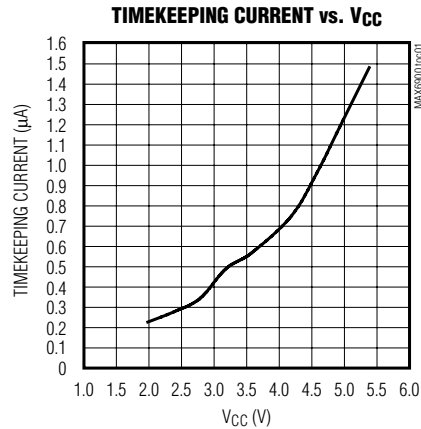
Note 8: C_B = total capacitance of one bus line in pF.

Note 9: The maximum t_f for the SDA and SCL bus lines is specified at 300ns. The maximum fall time for the SDA output stage t_f is specified at 250ns. This allows series protection resistors to be connected between the SDA/SCL pins and the SDA/SCL bus lines without exceeding the maximum specified t_f.

I²C-Compatible RTC in a TDFN

Typical Operating Characteristics

(T_A = +25°C, unless otherwise noted.)



Pin Description

PIN	NAME	FUNCTION
1	VCC	Power Supply
2	X1	32.768kHz External Crystal
3	X2	32.768kHz External Crystal
4	GND	Ground
5	SCL	I ² C-Bus-Compatible Clock Input
6	SDA	I ² C-Bus-Compatible Data Input/Output
—	PAD	Ground

Detailed Description

The MAX6900 contains eight timekeeping registers, burst address registers, a control register, an on-chip 32.768kHz oscillator circuit, and a serial 2-wire, I²C-compatible interface. There are also 31 bytes, 8 bits wide of SRAM on board. Time and calendar data are stored in the registers in a binary-coded decimal (BCD) format. Figure 1 shows an I²C-bus-compatible timing diagram. Figure 2 shows the MAX6900 functional diagram.

Real-Time Clock

The RTC provides seconds, minutes, hours, day, date, month, and year information. The end of the month is automatically adjusted for months with fewer than 31

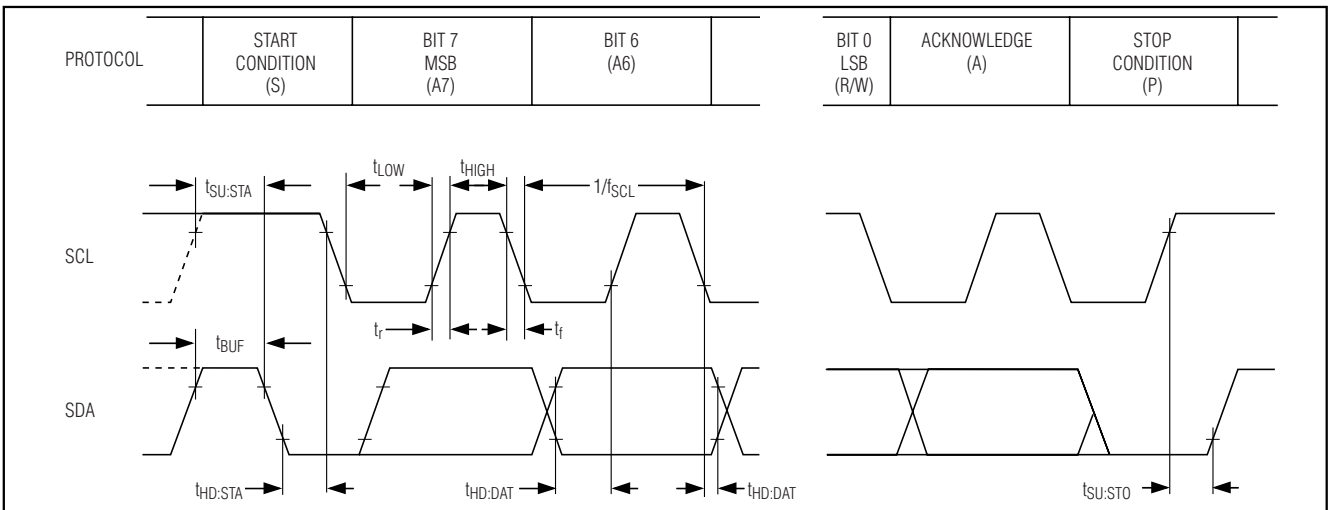


Figure 1. Detailed I²C-Bus Timing Diagrams

I²C-Compatible RTC in a TDFN

MAX6900

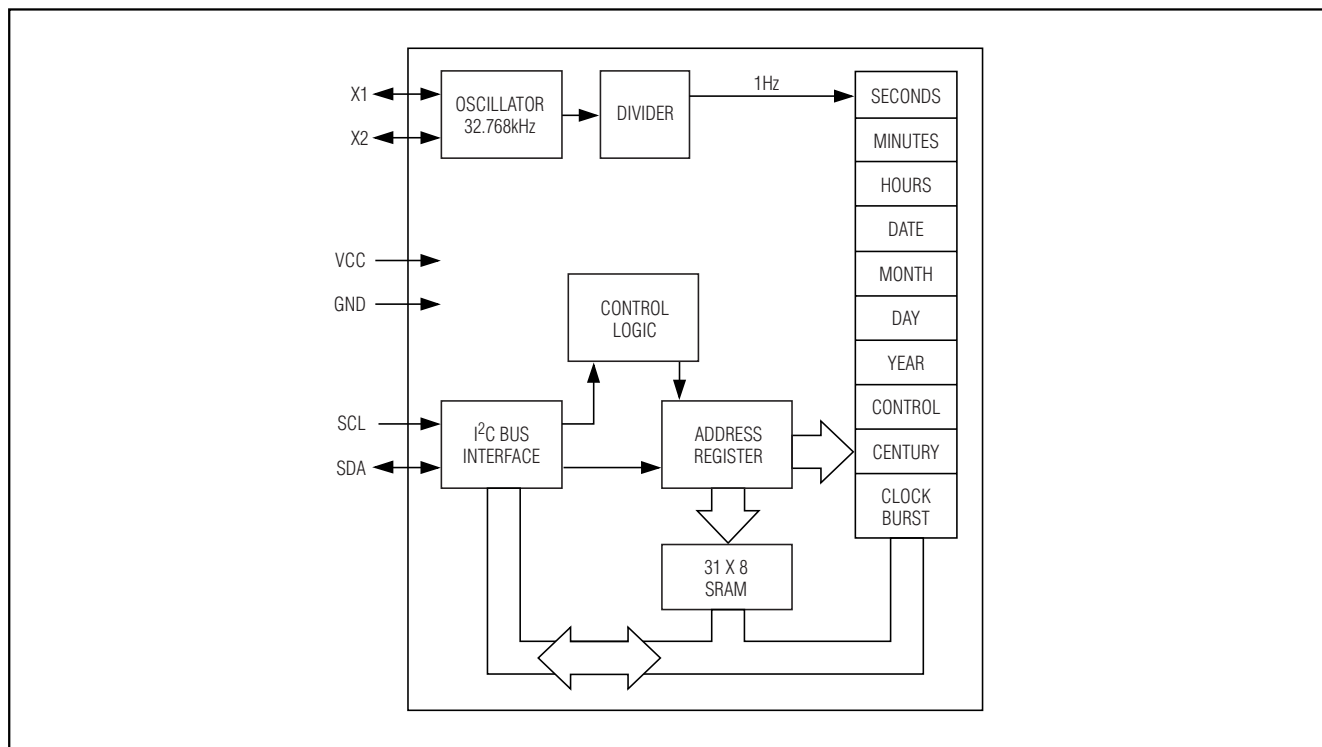


Figure 2. Functional Diagram

days, including corrections for leap year up to the year 2100.

Crystal Oscillator

The MAX6900 uses an external, standard 12.5pF load watch crystal. No other external components are required for this timekeeping oscillator. Power-up oscillator start-time is dependent mainly upon applied VCC and ambient temperature. The MAX6900, because of its low timekeeping current, exhibits a typical startup time between 5s to 10s.

I²C-Compatible Interface

Interfacing the MAX6900 with a microprocessor or other I²C master is made easier by using the serial, I²C-bus-compatible or other I²C master interface. Only 2 wires are required to communicate with the clock and SRAM: SCL (serial clock) and SDA (data line). Data is transferred to and from the MAX6900 over the I/O data line, SDA. The MAX6900 uses 7-bit slave ID addressing. The MAX6900 does not respond to general call address commands.

Applications Information

I²C-Bus-Compatible Interface

The I²C-bus-compatible serial interface allows bidirectional, 2-wire communication between multiple ICs. The two lines are SDA and SCL. Connect both lines to a positive supply through individual pullup resistors. A device on the I²C-compatible bus that generates a message is called a transmitter and a device that receives the message is a receiver. The device that controls the message is the master and the devices that are controlled by the master are called slaves (Figure 3). The word message refers to data in the form of three 8-bit bytes for a Single Read or Write. The first byte is the Slave ID byte, the second byte is the Address/Command byte, and the third is the data.

Data transfer can only be initiated when the bus is not busy (both SDA and SCL are high). A high-to-low transition of SDA while SCL is high is defined as the Start (S) condition; low-to-high transition of the data line while SCL is high is defined as the Stop (P) condition (Figure 4).

I²C-Compatible RTC in a TDFN

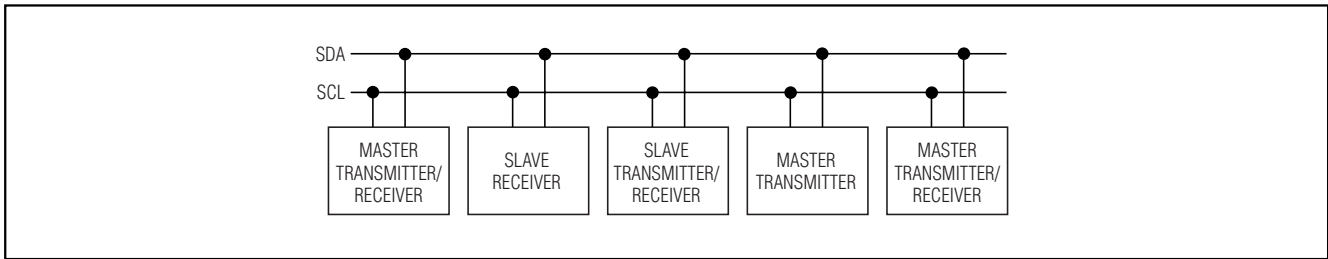


Figure 3. I²C Bus System Configuration

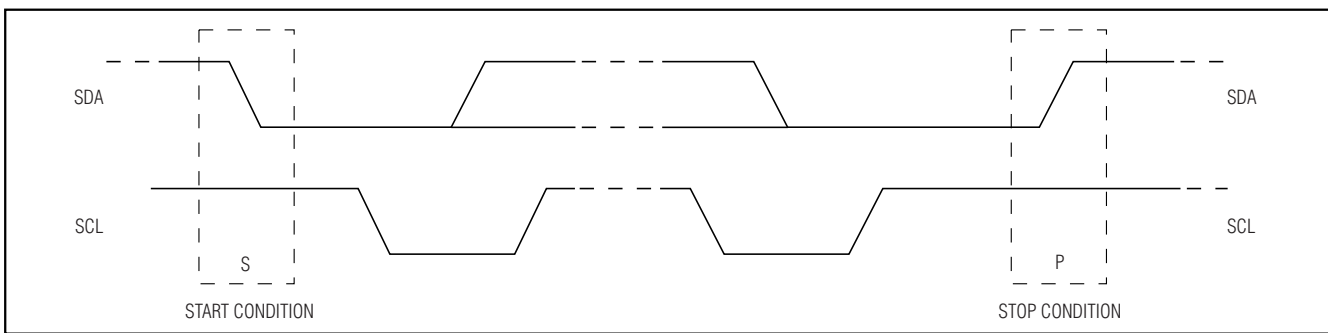


Figure 4. I²C Bus Start and Stop Conditions

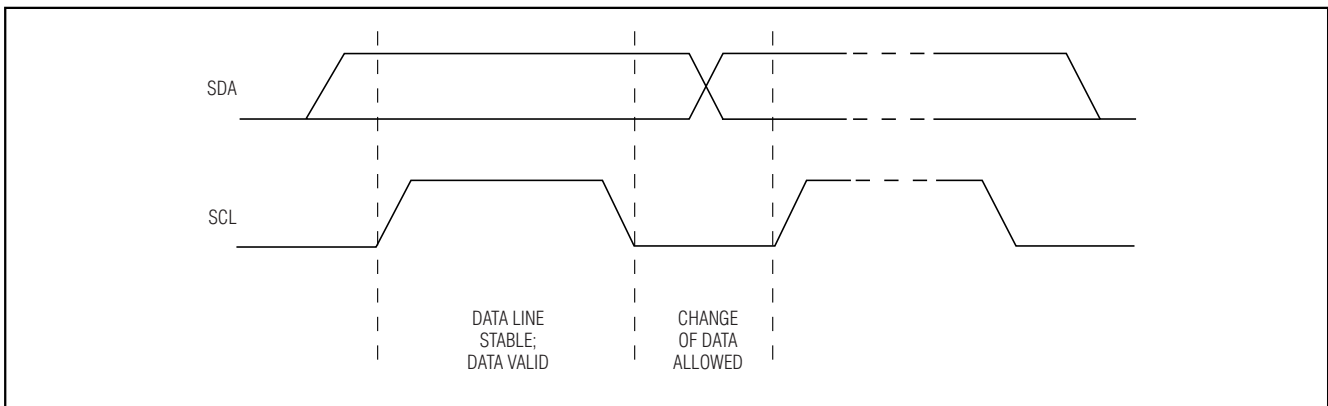


Figure 5. I²C Bus Bit Transfer

After the Start condition occurs, 1 bit of data is transferred for each clock pulse. The data on SDA must remain stable during the high portion of the clock pulse as changes in data during this time are interpreted as a control signal (Figure 5). Any time a start condition occurs, the Slave ID must follow immediately, regardless of completion of the previous data transfer.

Before any data is transmitted on the I²C-bus-compatible serial interface, the device that is expected to respond is addressed first. The first byte sent after the start (S) procedure is the Address byte or 7-bit Slave

ID. The MAX6900 acts as a slave transmitter/receiver. Therefore, SCL is only an input clock signal and SDA is a bidirectional data line. The Slave Address for the MAX6900 is shown in Figure 6.

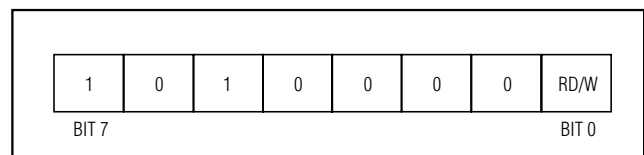


Figure 6. I²C Bus Slave Address or 7-Bit Slave ID

I²C-Compatible RTC in a TDFN

MAX6900

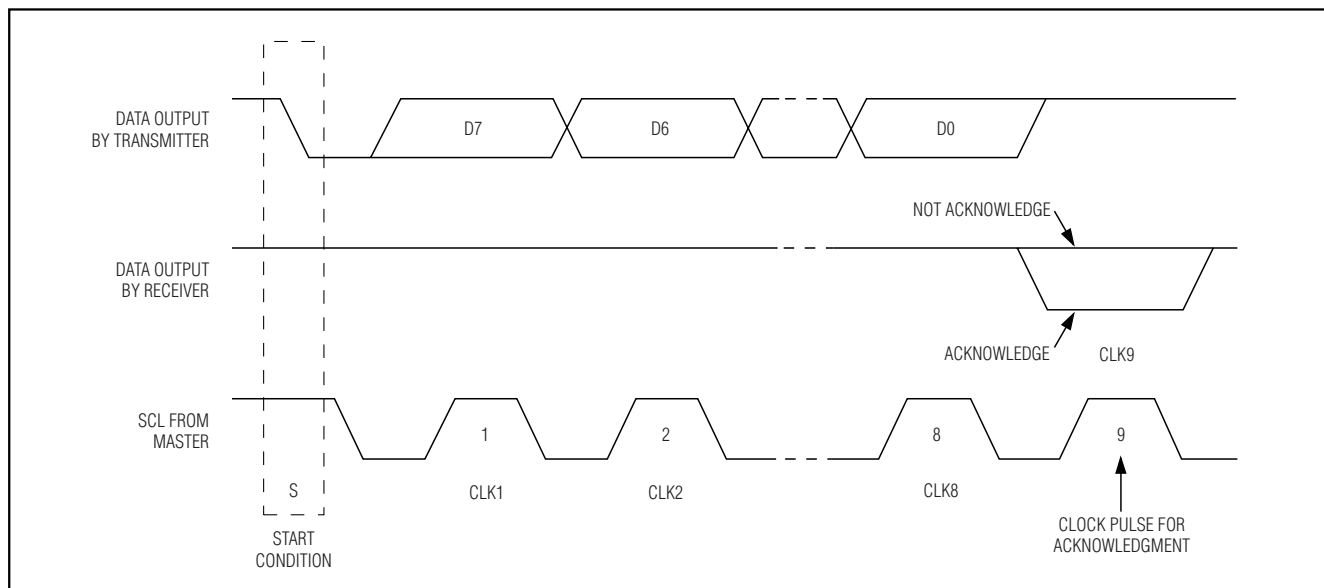


Figure 7. I²C Bus Acknowledge

An unlimited number of data bytes between the start and stop conditions can be sent between the transmitter and receiver. Each 8-bit byte is followed by an acknowledge bit. Also, a master receiver must generate an acknowledge after each byte it receives that has been clocked out of the slave transmitter.

The device that acknowledges must pull down the SDA line during the acknowledge clock pulse (Figure 7), so that the SDA line is stable low during the high period of the acknowledge clock pulse (setup and hold times must also be met). A master receiver must signal an end of data to the transmitter by not generating an acknowledge on the last byte that has been clocked out of the slave. In this case, the transmitter must leave SDA high to enable the master to generate a stop condition. Any time a stop condition is received before the current byte of data transfer is complete, the last incomplete byte is ignored.

The second byte of data sent after the start condition is the Address/Command byte (Figure 8). Each data transfer is initiated by an Address/Command byte. The MSB (bit 7) must be a logic 1. When the MSB is zero, Writes to the MAX6900 are disabled. Bit 6 specifies clock/calendar data if logic 0 or RAM data if logic 1 (Tables 1 and 2). Bits 1 through 5 specify the designated registers to be input or output. The LSB (bit 0) specifies a Write operation (input) if logic 0 or Read operation (output) if logic 1. The Command byte is always input starting with the MSB (bit 7).

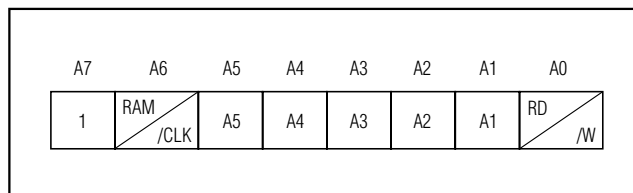


Figure 8. Address/Command Byte

Reading from the Timekeeping Registers

The timekeeping registers (Seconds, Minutes, Hours, Date, Month, Day, Year, and Century) read either with a Single Read or a Burst Read. Since the clock runs continuously and a Read takes a finite amount of time, it is possible that the clock counters could change during a Read operation, thereby reporting inaccurate timekeeping data. In the MAX6900, the clock counter data is buffered by a latch. Clock counter data is latched by the I²C-bus-compatible read command (on the falling edge of SCL when the Slave Acknowledge bit is sent after the Address/Command byte has been sent by the master to read a timekeeping register). Collision-detection circuitry ensures that this does not happen coincident with a seconds counter update to ensure accurate time data is being read. This avoids time data changes during a Read operation. The clock counters continue to count and keep accurate time during the Read operation.

When using a Single Read to read each of the timekeeping registers individually, perform error checking

I²C-Compatible RTC in a TDFN

Table 1. Register Address Definition

FUNCTION	A7	A6	A5	A4	A3	A2	A1	A0	VALUE	D7	D6	D5	D4	D3	D2	D1	D0
CLOCK																	
SEC	1	0	0	0	0	0	0	RD	00-59	7	10 SEC		1 SEC				
								/W	*POR STATE	0	0	0	0	0	0	0	0
MIN	1	0	0	0	0	0	1	RD	00-59	0	10 MIN		1 MIN				
								/W	*POR STATE	0	0	0	0	0	0	0	0
HR	1	0	0	0	0	1	0	RD	00-23	12/24	0	10 HR	10 HR	1 HR			
							/W	01-12	1/0	A/P		0/1					
									*POR STATE	0	0	0	0	0	0	0	0
DATE	1	0	0	0	0	1	1	RD	01-28/29	0	0	10 DATE		1 DATE			
								/W	01-30								
									01-31								
									*POR STATE	0	0	0	0	0	0	0	1
MONTH	1	0	0	0	1	0	0	RD	01-12	0	0	0	10M	1 MONTH			
								/W	*POR STATE	0	0	0	0	0	0	0	1
DAY	1	0	0	0	1	0	1	RD	01-07	0	0	0	0	0	WEEK DAY		
								/W	*POR STATE	0	0	0	0	0	0	0	1
YEAR	1	0	0	0	1	1	0	RD	00-99	10 YEAR			1 YEAR				
								/W	*POR STATE	0	1	1	1	0	0	0	0
CONTROL	1	0	0	0	1	1	1	RD		WP	0	0	0	0	0	0	0
								/W	*POR STATE	0	0	0	0	0	0	0	0
CENTURY	1	0	0	1	0	0	1	RD	00-99	1000 YEAR			100 YEAR				
								/W	*POR STATE	0	0	0	1	1	0	0	1
RESERVED	1	0	0	1	0	1	1	RD		0	0	0	0	0	0	0	0
								/W	*POR STATE	0	0	0	0	0	1	1	1
CLOCK BURST	1	0	1	1	1	1	1	RD									
								/W									

I²C-Compatible RTC in a TDFN

MAX6900

Table 1. Register Address Definition (continued)

FUNCTION	A7	A6	A5	A4	A3	A2	A1	A0	VALUE	D7	D6	D5	D4	D3	D2	D1	D0
CLOCK																	
RAM																	
RAM 0	1	1	0	0	0	0	0	0	RD /W	RAM DATA 0	x	x	x	x	x	x	x
RAM 30	1	1	1	1	1	1	0	0	RD /W	RAM DATA 30	x	x	x	x	x	x	x
RAM BURST	1	1	1	1	1	1	1	1	RD /W								

Note: POR STATE defines power-on reset state of register contents.

Table 2. Hex Register Address Definition

HEX REGISTER ADDRESS/DESCRIPTION			
WRITE ADDRESS/COMMAND BYTE (HEX)	READ ADDRESS/COMMAND BYTE (HEX)	DESCRIPTION	POR CONTENTS
80	81	Seconds	00
82	83	Minutes	00
84	85	Hours	00
86	87	Date	01
88	89	Month	01
8A	8B	Day	01
8C	8D	Year	70
8E	8F	Control	00
92	93	Century	19
96	97	Reserved	07
BE	BF	Clock Burst	N/A
C0	C1	RAM 0	Indeterminate
C2	C3	RAM 1	Indeterminate
C4	C5	RAM 2	Indeterminate
C6	C7	RAM 3	Indeterminate
C8	C9	RAM 4	Indeterminate
CA	CB	RAM 5	Indeterminate
CC	CD	RAM 6	Indeterminate
CE	CF	RAM 7	Indeterminate

I²C-Compatible RTC in a TDFN

MAX6900

Table 2. Hex Register Address Definition (continued)

HEX REGISTER ADDRESS/DESCRIPTION			
WRITE ADDRESS/ COMMAND BYTE (HEX)	READ ADDRESS/ COMMAND BYTE (HEX)	DESCRIPTION	POR CONTENTS
D0	D1	RAM 8	Indeterminate
D2	D3	RAM 9	Indeterminate
D4	D5	RAM 10	Indeterminate
D6	D7	RAM 11	Indeterminate
D8	D9	RAM 12	Indeterminate
DA	DB	RAM 13	Indeterminate
DC	DD	RAM 14	Indeterminate
DE	DF	RAM 15	Indeterminate
E0	E1	RAM 16	Indeterminate
E2	E3	RAM 17	Indeterminate
E4	E5	RAM 18	Indeterminate
E6	E7	RAM 19	Indeterminate
E8	E9	RAM 20	Indeterminate
EA	EB	RAM 21	Indeterminate
EC	ED	RAM 22	Indeterminate
EE	EF	RAM 23	Indeterminate
F0	F1	RAM 24	Indeterminate
F2	F3	RAM 25	Indeterminate
F4	F5	RAM 26	Indeterminate
F6	F7	RAM 27	Indeterminate
F8	F9	RAM 28	Indeterminate
FA	FB	RAM 29	Indeterminate
FC	FD	RAM 30	Indeterminate
FE	FF	RAM Burst	N/A

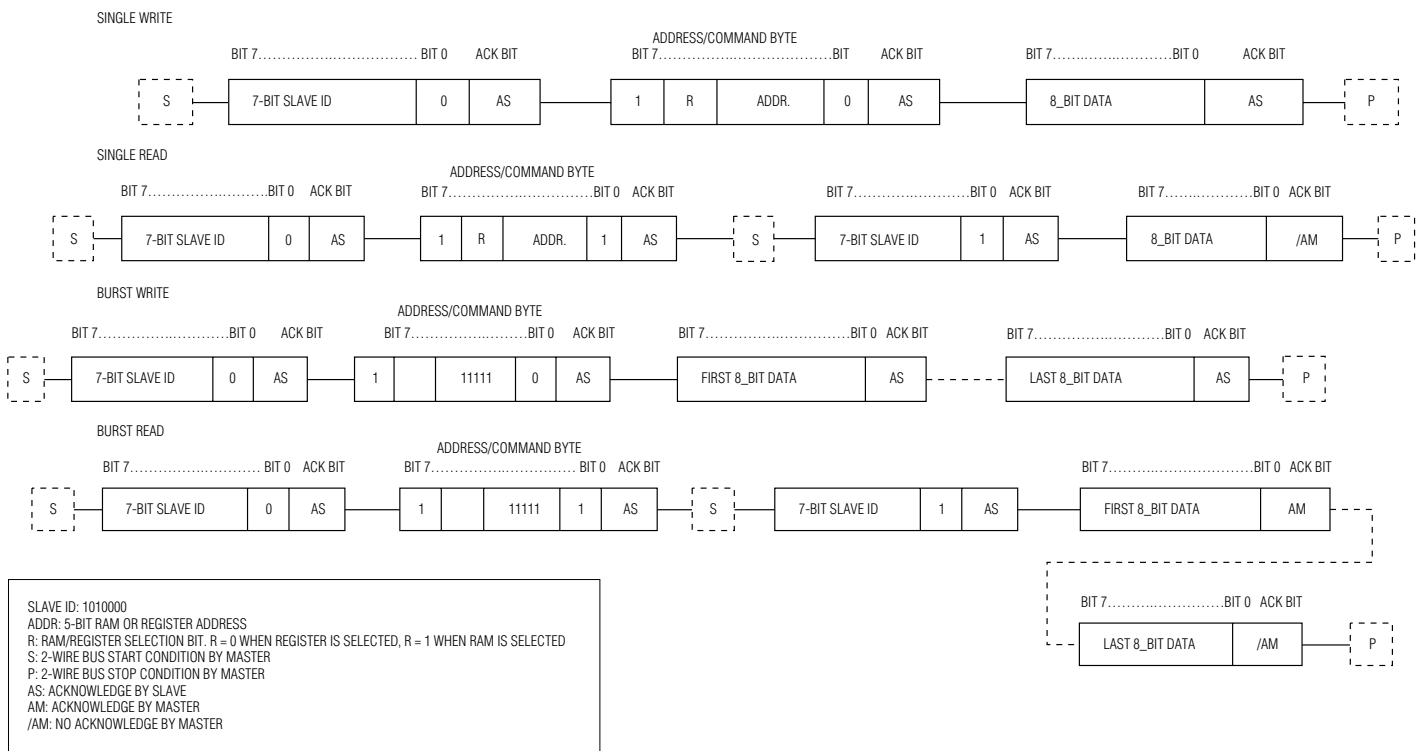
on the receiving end. The potential for errors occurs when the seconds counter increments before all the other registers are read out. For example, suppose a carry of 13:59:59 to 14:00:00 occurs during Single Read operations of the timekeeping registers. The net data could become 14:59:59, which is erroneous real-time data. To prevent this with Single Read operations, read the Seconds register first (initial seconds) and store this value for future comparison. When the remaining timekeeping registers have been read out, read the Seconds register again (final seconds). If the initial seconds value is 59, check that the final seconds value is still 59; if not, repeat the entire Single Read process for the timekeeping registers. A comparison of

the initial seconds value with the final seconds value can indicate if there was a bus delay problem in reading the timekeeping data (difference should always be 1s or less). Using a 100kHz bus speed, sequential Single Reads take under 2.5ms to read all seven of the timekeeping registers plus a second read of the Seconds register.

The most accurate way to read the timekeeping registers is a Burst Read. In the Burst Read mode, the main timekeeping registers (Seconds, Minutes, Hours, Date, Month, Day, Year) and the Control register are read sequentially. All of the main timekeeping registers and the Control register must be read out as a group of eight registers, with 8 bytes each, for proper execution

I²C-Compatible RTC in a TDFN

Table 3. Data Transfer Summary



I²C-Compatible RTC in a TDFN

of the Burst Read function. The seven timekeeping registers are latched upon the receipt of the Burst Read command. The worst-case error that can occur between the actual time and the read time is 1s, assuming the entire Burst Read is done in less than 1s.

Writing to the Timekeeping Registers

The time and date may be set by writing to the timekeeping registers (Seconds, Minutes, Hours, Date, Month, Day, Year, and Century). To avoid changing the current time by an incomplete Write operation, the current time value is buffered from being written directly to the clock counters. Current time data is loaded into this buffer at the falling edge of SCL, on the Slave Acknowledge bit, before the data input byte or bytes are sent to the MAX6900. The clock counters continue to count. The new data replaces the current contents of this input buffer. The time update data is loaded into the clock counters by the Stop bit at the end of the I²C-bus-compatible Write operation. Collision-detection circuitry ensures that this does not happen coincident with a seconds counter update to ensure accurate time data is being written. This avoids time data changes during a Write operation. An incomplete Write operation aborts the time update procedure and the contents of the input buffer are discarded. The clock counters reflect the new time data beginning with the first 1s clock cycle after the Stop bit.

When using single Write operations to write to each of the timekeeping registers, error checking is needed. If the Seconds register is the one to be updated, update it first and then read it back and store its value as the initial seconds. Update the remaining timekeeping registers and then read the Seconds register again (final seconds). If initial seconds was 59, ensure that it is still 59. If initial seconds was not 59, ensure that final seconds is within 1s of initial seconds. If the Seconds register is not to be written to, then read the Seconds register first and save it as initial seconds. Write to the required timekeeping registers and then read the Seconds register again (final seconds). If initial seconds was 59, ensure it is still 59. If initial seconds was not 59, ensure that final seconds is within 1s of initial seconds.

The burst write mode is the most accurate way to write to the timekeeping registers, although both single Writes and Burst Writes are possible. In Burst Write, the main timekeeping registers (Seconds, Minutes, Hours, Date, Month, Day, Year) and the control register are written to sequentially. All the main timekeeping registers and the Control register must be written to as a group of eight registers, with 8 bytes each, for proper execution of the

burst write function. All seven timekeeping registers are simultaneously loaded into the clock counters by the Stop bit at the end of the I²C-bus-compatible Write operation. The worst-case error that can occur between the actual time and the write time update is 1s, assuming the entire Burst Write is done in less than 1s. **Note: After writing to any time or date register, no read or write operations are allowed for 2.5ms.**

Write Protect Bit

Bit 7 of the Control register is the Write Protect bit. The lower 7 bits (bits 0 to 6) are forced to zero and always read a zero when read. Before any Write operation to the clock or RAM, bit 7 must be zero. When high, the Write Protect bit prevents a Write operation to any other register.

AM-PM/12Hr-24Hr Mode

Bit 7 of the Hours register is defined as the 12hr or 24hr Mode Select bit. When high, the 12hr mode is selected. In the 12hr mode, bit 5 is the AM/PM bit with logic high being PM. In the 24hr mode, bit 5 is the second 10hr bit (20hr to 23hr).

Clock Burst Mode

Addressing the Clock Burst register (BEh for write, or BFh for read) specifies burst mode operation. In this mode, the first eight clock/calendar registers can be consecutively read or written starting with bit 7 of Address/Command 81h (Read) or 80h (Write). If the Write Protect bit is set high when a write clock/calendar burst mode is specified, no data transfer occurs to any of the eight clock/calendar registers or the Control register. When writing to the clock registers in the burst mode, the first eight registers must be written in order for the data to be transferred.

RAM

The static RAM is 31 bytes addressed consecutively in the RAM address space. Even Address/Commands (C0h–FCh) are used for Writes, and odd Address/Commands (C1h–FDh) are used for Reads. The contents of the RAM are static and remain valid for V_{CC} down to 2V.

RAM Burst Mode

Addressing the RAM Burst register (FEh for Write, or FFh for Read) specifies burst mode operation. In this mode, the 31 RAM locations can be consecutively read or written starting with bit 7 of Address/Command C1h (Read) or C0h (Write). When writing to RAM in burst mode, it is not necessary to write all 31 bytes for the data to transfer. Each byte that is written to is transferred to RAM. If the Write Protect bit is set high when a

I²C-Compatible RTC in a TDFN

MAX6900

RAM burst mode is specified, no data transfer occurs to any of the RAM locations. Burst writes of data greater than 31 bytes could cause erroneous data in the MAX6900.

Power-On Reset (POR)

The MAX6900 contains an integral POR circuit that ensures all registers are reset to a known state on power-up. Once V_{CC} rises above 1.6V (typ), the POR circuit releases the registers for normal operation. When V_{CC} drops to less than 1.6V (typ), the MAX6900 resets all register contents to the POR defaults.

Oscillator Startup

The MAX6900 oscillator typically takes 5s to 10s to begin oscillating. To ensure the oscillator is operating correctly, the software should validate proper time-keeping. This is accomplished by reading the Seconds register. Any reading of 1s or more from the POR is a validation of proper startup.

Reserved Register

This is reserved for factory testing ONLY. Do not write to this register. If inadvertent Writes are done to this register, cycle power on the MAX6900.

Crystal Selection

Connect a 32.768kHz watch crystal directly to the MAX6900 through pin 2 and pin 3 (X1, X2). Use a crys-

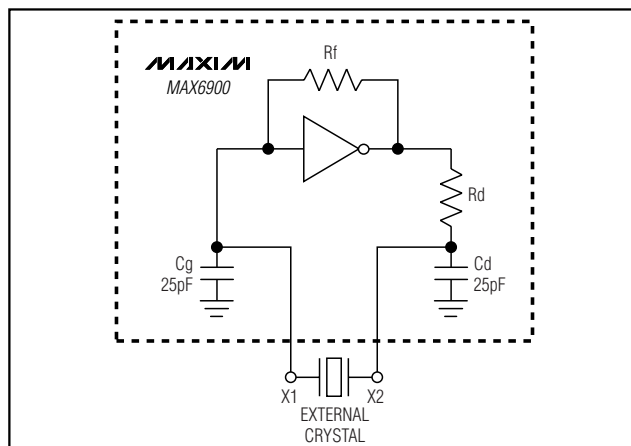


Figure 9. Oscillator Functional Schematic

tal with a specified load capacitance (C_L) of 12.5pF. See Table 4 for a list of crystal parameters.

Table 5 lists some crystal manufacturers and part numbers for their surface-mount 32.768kHz watch crystals that require 12.5pF. In addition, these manufacturers offer other package options depending upon the specific application considerations.

Frequency Stability Overtemperature

Timekeeping accuracy of the MAX6900 is dependent on the frequency stability of the external crystal. To

Table 4. Quartz Crystal Parameters

PARAMETER	SYMBOL	MIN	TYP	MAX	UNITS
Frequency	f		32.768		kHz
Equivalent Series Resistance (ESR)	R_s	40		60	k Ω
Parallel Load Capacitance	C_L	11.2	12.5	13.7	pF
Q Factor	Q	40,000		60,000	

Table 5. Crystal Manufacturers

MANUFACTURER	MANUFACTURER PART NO.	TEMP. RANGE	C_L (pF)	+25°C FREQUENCY TOLERANCE (ppm)
Abracon Corporation	ABS25-32.768-12.5-B-	-40°C to +85°C	12.5	±20
Caliber Electronics	AWS2A-32.768KHz	-20°C to +70°C	12.5	±20
ECS INC International	ECS-.327-12.5-17	-10°C to +60°C	12.5	±20
Fox Electronics	FSM327	-40°C to +85°C	12.5	±20
M-tron	SX2010/SX2020	-20°C to +75°C	12.5	±20
Raltron	RSE-32.768-12.5-C-T	-10°C to +60°C	12.5	±20
SaRonix	32S12A	-40°C to +85°C	12.5	±20

I²C-Compatible RTC in a TDFN

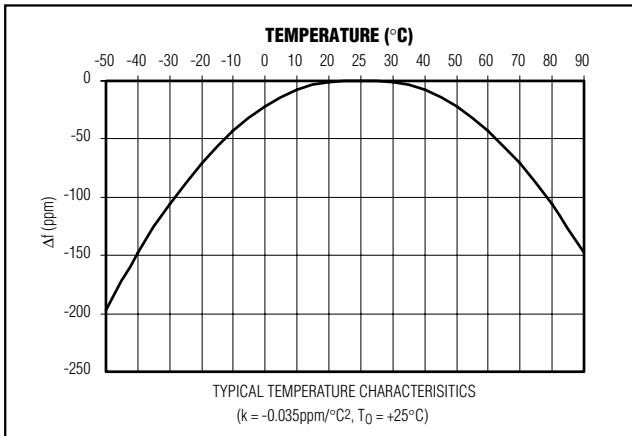


Figure 10. Typical Temperature Curve for 32.768kHz Watch Crystal

determine frequency stability, use the parabolic curve in Figure 10 and the following equations:

$$\Delta f = f \times k \times (T_0 - T)^2$$

where:

Δf = change in frequency from +20°C.

f = nominal crystal frequency.

k = parabolic curvature constant (-0.035 ± 0.005 ppm/°C² for 32.768kHz watch crystals).

T_0 = turnover temperature (+25°C ± 5 °C for 32.768kHz watch crystals).

T = temperature of interest (°C).

For example: What is the worst-case change in oscillator frequency from +25°C to +45°C ambient?

$$\Delta f \text{ (worst case)} = 32,768 \times (-0.04 / 1 \times 10^6) \times (20 - 45)^2 = -0.8192\text{Hz}$$

After 1 month, that translates to:

$$\Delta_t = (31 \text{ days}) \times \left(24 \frac{\text{hr}}{\text{day}} \right) \times \left(60 \frac{\text{min}}{\text{hr}} \right) \times \left(60 \frac{\text{s}}{\text{min}} \right) \times \left(\frac{-0.8192\text{Hz}}{32768\text{Hz}} \right) = 66.96\text{s}$$

Assuming ± 20 ppm initial crystal tolerance (± 53 s initial accuracy); total worst-case timekeeping error at the end of 1 month = 66.96s - 53s = -13.96s or about 2 minutes (assumes negligible parasitic layout capacitance).

Power-Supply Considerations

For most applications, a 0.1 μ F capacitor from V_{CC} to GND provides adequate bypassing for the MAX6900. Because the MAX6900's supply current is well under 1 μ A, a series resistor can be added to the supply to reject extremely harsh noise.

PC Board Layout Considerations

When designing the PC board, keep the crystal as close to the X1 and X2 pins of the MAX6900 as possible (Figure 11). Keep the trace lengths short and small to avoid introducing excessive capacitive loading and preventing unwanted noise pickup. Place a guard ring around the crystal and tie the ring to ground to help isolate the crystal from unwanted noise pickup. Keep all signals away from the crystal and the X1 and X2 pins to prevent noise coupling. Finally, an additional local ground plane on an adjacent PC board layer can be added under the crystal to shield it from unwanted pickup from traces on other layers of the board. This plane should be isolated from the regular PC board ground plane and tied to the GND pin of the MAX6900. This plane needs to be no larger than the perimeter of the guard ring. Ensure that this ground plane does not contribute to significant capacitance between ground and the traces that run from X1 and X2 to the crystal.

Chip Information

TRANSISTOR COUNT: 19,307

PROCESS: CMOS

I²C-Compatible RTC in a TDFN

MAX6900

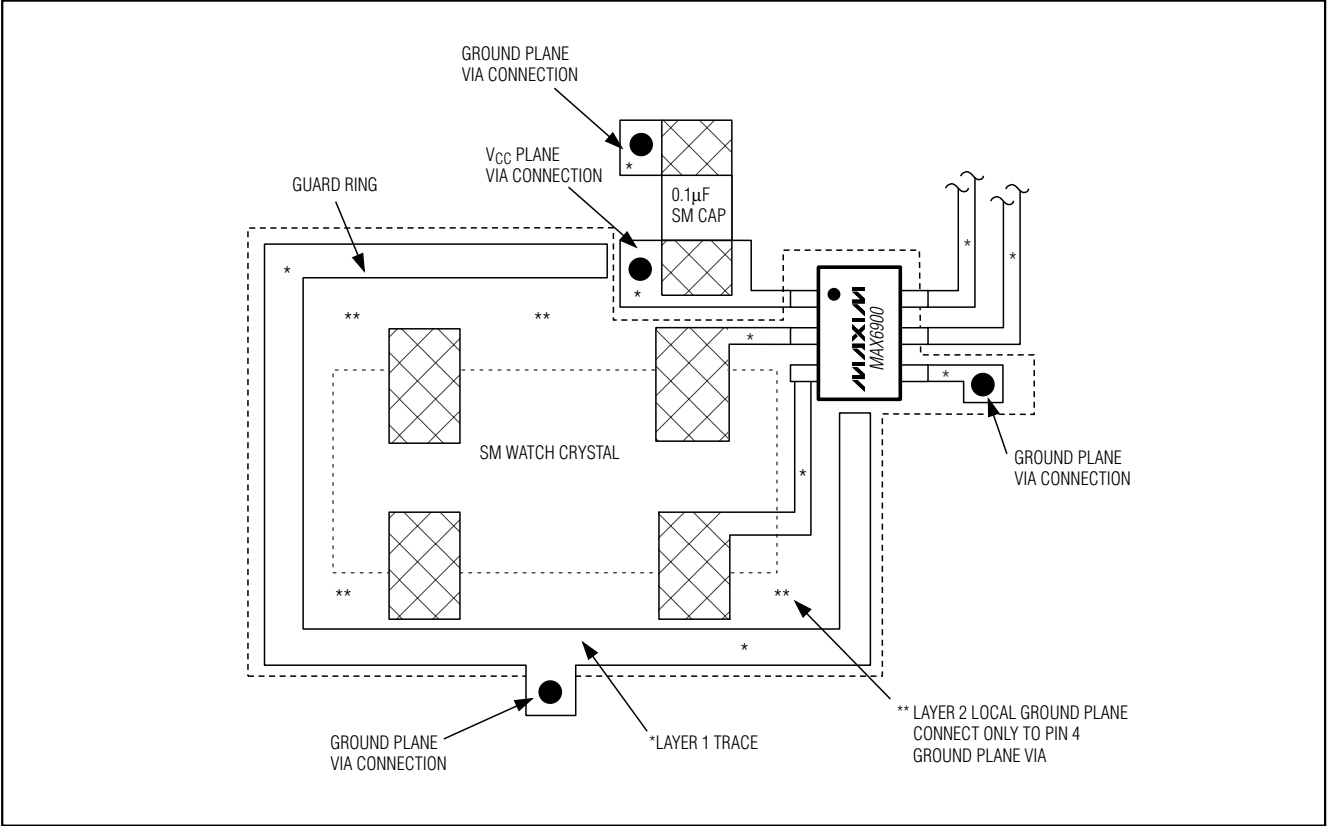
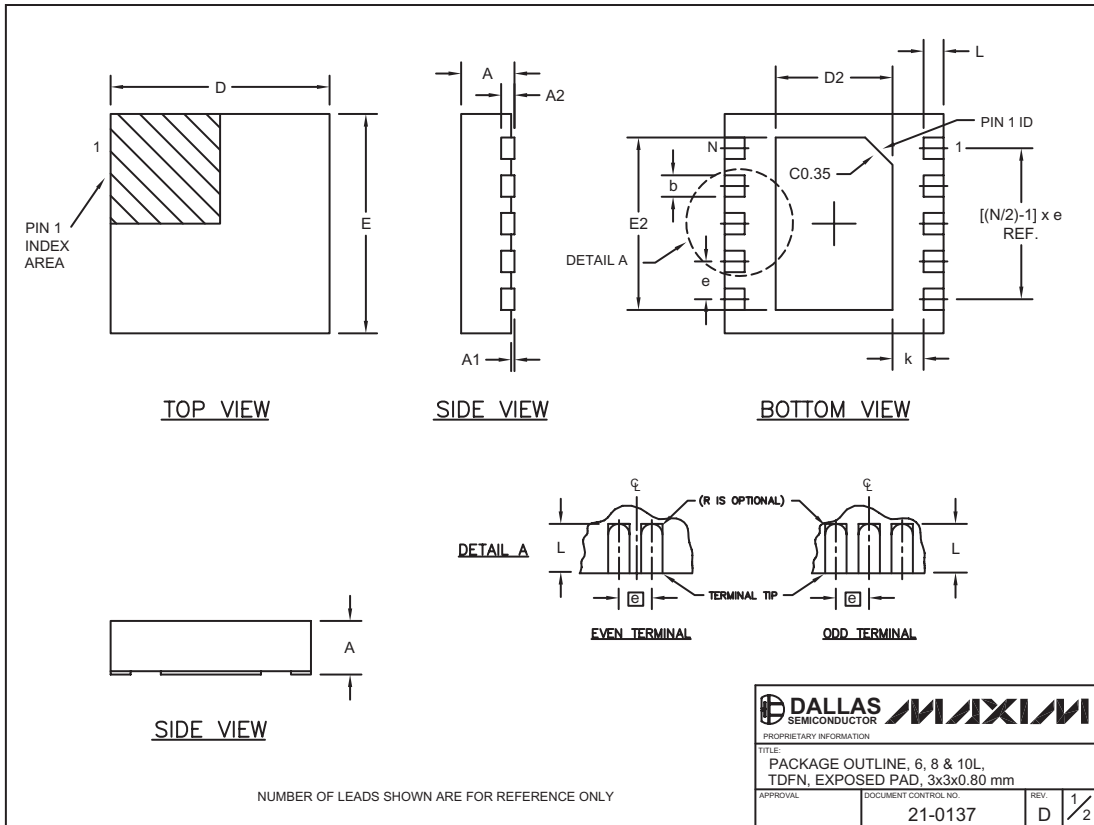


Figure 11. Recommended Board Layout

I²C-Compatible RTC in a TDFN

Package Information

(The package drawing(s) in this data sheet may not reflect the most current specifications. For the latest package outline information go to www.maxim-ic.com/packages.)



I²C-Compatible RTC in a TDFN

MAX6900

Package Information (continued)


(The package drawing(s) in this data sheet may not reflect the most current specifications. For the latest package outline information go to www.maxim-ic.com/packages.)

COMMON DIMENSIONS		
SYMBOL	MIN.	MAX.
A	0.70	0.80
D	2.90	3.10
E	2.90	3.10
A1	0.00	0.05
L	0.20	0.40
k	0.25 MIN.	
A2	0.20 REF.	

PACKAGE VARIATIONS							
PKG. CODE	N	D2	E2	e	JEDEC SPEC	b	[(N/2)-1] x e
T633-1	6	1.50-0.10	2.30-0.10	0.95 BSC	MO229 / WEEA	0.40-0.05	1.90 REF
T833-1	8	1.50-0.10	2.30-0.10	0.65 BSC	MO229 / WEEC	0.30-0.05	1.95 REF
T1033-1	10	1.50-0.10	2.30-0.10	0.50 BSC	MO229 / WEED-3	0.25-0.05	2.00 REF

NOTES:

- ALL DIMENSIONS ARE IN mm. ANGLES IN DEGREES.
- COPLANARITY SHALL NOT EXCEED 0.08 mm.
- WARPAGE SHALL NOT EXCEED 0.10 mm.
- PACKAGE LENGTH/PACKAGE WIDTH ARE CONSIDERED AS SPECIAL CHARACTERISTIC(S).
- DRAWING CONFORMS TO JEDEC MO229, EXCEPT DIMENSIONS "D2" AND "E2".
- "N" IS THE TOTAL NUMBER OF LEADS.

	
<small>PROPRIETARY INFORMATION</small>	
<small>TITLE:</small> PACKAGE OUTLINE, 6, 8 & 10L, TDFN, EXPOSED PAD, 3x3x0.80 mm	
<small>APPROVAL</small>	<small>DOCUMENT CONTROL NO.</small> 21-0137
<small>REV.</small> D	<small>REV.</small> 2/2

Maxim cannot assume responsibility for use of any circuitry other than circuitry entirely embodied in a Maxim product. No circuit patent licenses are implied. Maxim reserves the right to change the circuitry and specifications without notice at any time.

Maxim Integrated Products, 120 San Gabriel Drive, Sunnyvale, CA 94086 408-737-7600 _____ 17