



Chipsmall Limited consists of a professional team with an average of over 10 year of expertise in the distribution of electronic components. Based in Hongkong, we have already established firm and mutual-benefit business relationships with customers from,Europe,America and south Asia,supplying obsolete and hard-to-find components to meet their specific needs.

With the principle of “Quality Parts,Customers Priority,Honest Operation,and Considerate Service”,our business mainly focus on the distribution of electronic components. Line cards we deal with include Microchip,ALPS,ROHM,Xilinx,Pulse,ON,Everlight and Freescale. Main products comprise IC,Modules,Potentiometer,IC Socket,Relay,Connector.Our parts cover such applications as commercial,industrial, and automotives areas.

We are looking forward to setting up business relationship with you and hope to provide you with the best service and solution. Let us make a better world for our industry!



Contact us

Tel: +86-755-8981 8866 Fax: +86-755-8427 6832

Email & Skype: info@chipsmall.com Web: www.chipsmall.com

Address: A1208, Overseas Decoration Building, #122 Zhenhua RD., Futian, Shenzhen, China





I²C-Compatible Real-Time Clocks with μ P Supervisor and NV RAM Controller

MAX6909/MAX6910

General Description

The MAX6909/MAX6910 are I²C-compatible real-time clocks (RTCs) with a microprocessor supervisor, optional trickle charger (MAX6910 only), backup power source, and NV RAM controller. The MAX6909/MAX6910 provide alarm outputs to indicate a crystal failure, a switchover to battery power, and time and date indication. The NV RAM is 31 bytes of static RAM that are available for scratchpad storage. The MAX6909/MAX6910 are controlled through a 2-wire serial bus.

The real-time clock/calendar provides seconds, minutes, hours, day, date, month, and year information. The date is automatically adjusted for months with fewer than 31 days, including corrections for leap year up to the year 2100. The clock operates in either the 24-hour or 12-hour format with an AM/PM indicator. A time/date-programmable ALARM output completes the features list for the real-time clock section of the MAX6909/MAX6910. The alarm function can also be used in a polled mode by periodically reading the alarm out status bit in the minutes register. A crystal fail output, CX FAIL, indicates loss of accurate timekeeping due to crystal problems.

A built-in μ P supervisor with an open-drain reset ensures the μ P powers up in a known state. A reset threshold is available for 3V or 3.3V supplies. The piezo transducer output, PZT, is register selectable for one of four frequencies, can be turned on and off through a register bit, or selected to go on when the ALM, alarm output, goes active.

The MAX6909/MAX6910 are available in a 20-pin QSOP package and operate over the -40°C to +85°C temperature range.

Applications

Point-of-Sale Equipment
 Programmable Logic Controller
 Handheld Instruments
 Medical Instrumentation

Features

- ◆ RTC Counts Seconds, Minutes, Hours, Date of the Month, Month, Day of the Week, and Year, with Leap Year Compensation Valid Up to 2100
- ◆ 31 Bytes of RAM for Scratchpad Data Storage
- ◆ Uses Standard 32.768kHz, 6pF Load, Watch Crystal
- ◆ Programmable Time/Date, Open-Drain ALARM Output (Status Can also Be Polled)
- ◆ Chip Enable Gating (Control of \overline{CE} with Reset and Power Valid)
- ◆ OUT Pin for SRAM Power
- ◆ μ P Reset Output
- ◆ Watchdog Input
- ◆ Manual Reset Input with Push-Button Switch Debounce
- ◆ Independent Power-Fail and Reset Comparators
- ◆ 400kHz 2-Wire Interface
- ◆ Single-Byte or Multiple-Byte (Burst Mode) Data Transfer for Read or Write of Clock Registers or RAM
- ◆ Bus Timeout to Prevent Lockup of Malfunctioning Bus Interface
- ◆ Dual Power-Supply Pins for Primary and Backup Power
- ◆ Programmable Trickle Charger (MAX6910)
- ◆ Uses Less than 1 μ A Timekeeping Current at 3.0V
- ◆ Operating Voltages of 3V and 3.3V

Ordering Information

PART	TEMP RANGE	PIN-PACKAGE
MAX6909EO30	-40°C to +85°C	20 QSOP
MAX6909EO33	-40°C to +85°C	20 QSOP
MAX6910EO30	-40°C to +85°C	20 QSOP
MAX6910EO33	-40°C to +85°C	20 QSOP

Pin Configuration/Selector Guide/Typical Operating Circuit appear at end of data sheet.

I²C-Compatible Real-Time Clocks with μ P Supervisor and NV RAM Controller

ABSOLUTE MAXIMUM RATINGS

All Voltages (with respect to GND)		Output Current
BATT or V _{CC}	-0.3V to +6.0V	OUT Continuous.....
OUT, $\overline{\text{ALM}}$, $\overline{\text{SCL}}$, $\overline{\text{SDA}}$, $\overline{\text{CX FAIL}}$, PFO, $\overline{\text{RESET}}$	-0.3V to +6.0V	All Other Outputs
All Other Pins	-0.3V to (V _{SUP} + 0.3V) (where V _{SUP} is greater of V _{BATT} or V _{CC})	Continuous Power Dissipation (T _A = +70°C) 20-Pin QSOP (derate 9.1mW/°C above +70°C).....
Input Current		Operating Temperature Range
V _{CC}	500mA	Junction Temperature
BATT	100mA	Storage Temperature Range
GND	20mA	Lead Temperature (soldering, 10s)

Stresses beyond those listed under "Absolute Maximum Ratings" may cause permanent damage to the device. These are stress ratings only, and functional operation of the device at these or any other conditions beyond those indicated in the operational sections of the specifications is not implied. Exposure to absolute maximum rating conditions for extended periods may affect device reliability.

ELECTRICAL CHARACTERISTICS

(V_{CC} = V_{CC(MIN)} to V_{CC(MAX)}, T_A = -40°C to +85°C, unless otherwise noted. Typical values are at T_A = +25°C.) (Notes 1, 2)

PARAMETER	SYMBOL	CONDITIONS	MIN	TYP	MAX	UNITS
Operating Voltage Range	V _{CC}	MAX69__EO30 (Note 3)	2.7		3.3	V
		MAX69__EO33 (Note 3)	3.0		3.6	
Operating Voltage Range BATT	V _{BATT}	MAX69__EO30 (Note 4)	2.0		3.6	V
		MAX69__EO33 (Note 4)	2.0		3.6	
BATT Current (Note 5)	I _{BATT}	Crystal fail-circuit disabled	V _{BATT} = 2V, V _{CC} = 0V		0.75	μ A
			V _{BATT} = 3V, V _{CC} = 0V		0.95	
			V _{BATT} = 3.6V, V _{CC} = 0V		1.1	
Timekeeping Current (Note 5)	I _{BATT}	Crystal fail-circuit enabled	V _{BATT} = 2V, V _{CC} = 0V		0.9	μ A
			V _{BATT} = 3V, V _{CC} = 0V		4	
			V _{BATT} = 3.6V, V _{CC} = 0V		9	
Active Supply Current (Note 6)	I _{CCA}	PZT disabled, crystal-disabled	V _{CC} = 3.3V, V _{BATT} = 0V		0.14	mA
			V _{CC} = 3.6V, V _{BATT} = 0V		0.15	
Standby Current (Note 5)	I _{CCS}	PZT disabled, crystal-disabled	V _{CC} = 3.3V, V _{BATT} = 0V		7	μ A
			V _{CC} = 3.6V, V _{BATT} = 0V		7	
Standby Current (Note 5)	I _{CCS}	Crystal fail-circuit enabled	V _{CC} = 3.3V, V _{BATT} = 0V		18	μ A
			V _{CC} = 3.6V, V _{BATT} = 0V		25	
Trickle-Charge Diode Voltage Drop (Two Diodes)				1.2		V
Trickle Charge Resistors	R1			1.7		k Ω
	R2			2.8		
	R3			5.0		
OUT						
OUT in Battery-Backup Mode (Note 4)	V _{OUT}	V _{BATT} = 3.0V, V _{CC} = 0V, I _{OUT} = 20mA	V _{BATT} - 0.15	V _{BATT} - 0.1		V
		V _{BATT} = 2.0V, V _{CC} = 0V, I _{OUT} 10mA	V _{BATT} - 0.1	V _{BATT} - 0.05		

I²C-Compatible Real-Time Clocks with μ P Supervisor and NV RAM Controller

ELECTRICAL CHARACTERISTICS (continued)

($V_{CC} = V_{CC(MIN)}$ to $V_{CC(MAX)}$, $T_A = -40^{\circ}\text{C}$ to $+85^{\circ}\text{C}$, unless otherwise noted. Typical values are at $T_A = +25^{\circ}\text{C}$.) (Notes 1, 2)

PARAMETER	SYMBOL	CONDITIONS	MIN	TYP	MAX	UNITS
OUT in V_{CC} Mode (Note 4)	V_{OUT}	$V_{CC} = 3.0\text{V}$, $V_{BATT} = 0\text{V}$, $I_{OUT} = 100\text{mA}$	$V_{CC} - 0.15$	$V_{CC} - 0.1$		V
		$V_{CC} = 2.7\text{V}$, $V_{BATT} = 0\text{V}$, $I_{OUT} = 50\text{mA}$	$V_{CC} - 0.1$	$V_{CC} - 0.05$		
V_{BATT} to V_{CC} Switchover Threshold	V_{TRU}	Power-up ($V_{CC} < V_{RST}$) switch from V_{BATT} to V_{CC} (Note 7)		$V_{BATT} + 0.05$		V
V_{CC} to V_{BATT} Switchover Threshold	V_{TRD}	Power-down ($V_{CC} < V_{RST}$) switch from V_{CC} to V_{BATT} (Note 7)		$V_{BATT} - 0.05$		V
CE IN AND CE OUT						
$\overline{\text{CE IN}}$ Leakage Current		Disabled, $V_{CC} < V_{RST}$, $\overline{\text{VCE IN}} = V_{CC}$ or GND	-1		+1	μA
$\overline{\text{CE IN}}$ to $\overline{\text{CE OUT}}$ Resistance		$V_{CC} = V_{CC(min)}$, $V_{IH} = 0.9V_{CC}$, $V_{IL} = 0.1V_{CC}$		70	140	Ω
$\overline{\text{CE IN}}$ to $\overline{\text{CE OUT}}$ Propagation Delay		50 Ω source impedance driver, $C_{LOAD} = 10\text{pF}$, $V_{CC} = V_{CC(MIN)}$, $V_{IH} = 0.9V_{CC}$, $V_{IL} = 0.1V_{CC}$ (Note 8), measured from 50% point on $\overline{\text{CE IN}}$ to the 50% point on $\overline{\text{CE OUT}}$		5	15	ns
$\overline{\text{RESET}}$ (or RESET) Active to $\overline{\text{CE OUT}}$ disabled and pulled to V_{OUT} Delay	t_{RCE}	$\overline{\text{MR}}$ low to high, $V_{CC(MIN)} < V_{CC} < V_{CC(MAX)}$	2	10	50	μs
$\overline{\text{CE OUT}}$ Enabled and Connected to $\overline{\text{CE IN}}$ After $V_{CC} > V_{RST}$	t_{RP}		140	200	280	ms
$\overline{\text{CE OUT}}$ High ($\overline{\text{RESET}}$ or RESET Active)	V_{OH}	$V_{CC} = 0\text{V}$, $I_{OUT} = -100\mu\text{A}$, $V_{BATT} = 2\text{V}$	$0.95 \times V_{OUT}$			V
MANUAL RESET INPUT						
$\overline{\text{MR}}$ Input Threshold	V_{IL}				$0.3 \times V_{CC}$	V
	V_{IH}			$0.7 \times V_{CC}$		
$\overline{\text{MR}}$ Internal Pullup Resistance				50		k Ω
$\overline{\text{MR}}$ Minimum Pulse Width			1			μs
$\overline{\text{MR}}$ Glitch Immunity		(Note 8)			50	ns
$\overline{\text{MR}}$ to Reset Delay		(Note 8)		200	350	ns
POWER-FAIL INPUT AND POWER-FAIL OUTPUT						
PFI Input Threshold	V_{PFT}	$V_{CC} = V_{CC(MIN)}$	1.19	1.27	1.31	V

MAX6909/MAX6910

I²C-Compatible Real-Time Clocks with μ P Supervisor and NV RAM Controller

ELECTRICAL CHARACTERISTICS (continued)

($V_{CC} = V_{CC(MIN)}$ to $V_{CC(MAX)}$, $T_A = -40^{\circ}\text{C}$ to $+85^{\circ}\text{C}$, unless otherwise noted. Typical values are at $T_A = +25^{\circ}\text{C}$.) (Notes 1, 2)

PARAMETER	SYMBOL	CONDITIONS	MIN	TYP	MAX	UNITS
PFI Input Current			-100	+2	+100	nA
PFI to PFO Delay		(Note 8) PFI rising	0.06	0.2	2.2	μs
		PFI falling	2.4	5	12	
PFI Hysteresis	V_{PFH}	PFI rising		30		mV
$\overline{\text{PFO}}$ Output Voltage High	V_{OH}	$I_{SOURCE} = 200\mu\text{A}$, $\text{PFI} = V_{CC} = V_{CC(MIN)}$	$0.9 \times V_{CC}$			V
$\overline{\text{PFO}}$ Output Voltage Low	V_{OL}	$I_{SINK} = 1.2\text{mA}$, $V_{BATT} = 2\text{V}$, $\text{PFI} = V_{CC} = 0\text{V}$			0.2	V
WATCHDOG INPUT						
Watchdog Timeout Period Initial	t_{WD}	Before first WDI edge, after reset timeout	1.00	1.6	2.25	s
Watchdog Timeout Period	t_{WD}	Register select—long	1.00	1.6	2.25	s
	t_{WDS}	Register select—short	140	200	280	ms
Minimum WDI Input Pulse Width	t_{WDI}		100			ns
WDI Input Threshold	V_{IL}				$0.3 \times V_{CC}$	V
	V_{IH}		$0.7 \times V_{CC}$			
WDI Input Current	I_{IL}	$V_{WDI} = V_{CC}$ or GND	-100		+100	nA
PZT OUTPUT						
PZT Output Short-Circuit Current (V_{CC} Must Be $> V_{RST}$ for PZT to Be Active)	I_{PZT}	MAX69_ _EO30	Sink current	5	18	mA
			Source current	5	20	
		MAX69_ _EO33	Sink current	6	20	
			Source current	6.5	25	
PZT Frequency 1	PZT_{f1}		1024			Hz
PZT Frequency 2	PZT_{f2}		2048			Hz
PZT Frequency 3	PZT_{f3}		4096			Hz
PZT Frequency 4	PZT_{f4}		8192			Hz
PZT Off-Leakage Current	I_{OLKG}		-1		+1	μA
CRYSTAL-FAIL OUTPUT						
$\overline{\text{CX FAIL}}$ Output Low Voltage	V_{OL}	$V_{BATT} = 2.0\text{V}$, $V_{CC} = 0\text{V}$, $I_{OL} = 3\text{mA}$		0.1	0.2	V
		$V_{CC} = 2.7\text{V}$, $I_{OL} = 5\text{mA}$, $V_{BATT} = 0\text{V}$			0.25	
$\overline{\text{CX FAIL}}$ Off-Leakage Current	I_{OLKG}		-1		+1	μA
ALARM OUTPUT						
$\overline{\text{ALM}}$ Output Low Voltage	V_{OL}	$I_{OL} = 3\text{mA}$, $V_{BATT} = 2.0\text{V}$, $V_{CC} = 0\text{V}$			0.2	V
		$I_{OL} = 5\text{mA}$, $V_{CC} = 2.7\text{V}$, $V_{BATT} = 0\text{V}$			0.25	
$\overline{\text{ALM}}$ Off-Leakage Current	I_{OLKG}		-1		+1	μA

I²C-Compatible Real-Time Clocks with μ P Supervisor and NV RAM Controller

MAX6909/MAX6910

ELECTRICAL CHARACTERISTICS (continued)

($V_{CC} = V_{CC(MIN)}$ to $V_{CC(MAX)}$, $T_A = -40^{\circ}\text{C}$ to $+85^{\circ}\text{C}$, unless otherwise noted. Typical values are at $T_A = +25^{\circ}\text{C}$.) (Notes 1, 2)

PARAMETER	SYMBOL	CONDITIONS	MIN	TYP	MAX	UNITS
BATTERY ON OUTPUT						
$\overline{\text{BATT ON}}$ Output Low Voltage	V_{OL}	$V_{BATT} = 2.0\text{V}$, $I_{OL} = 3\text{mA}$, $V_{CC} = 0\text{V}$			0.2	V
		$V_{BATT} = 2.7\text{V}$, $I_{OL} = 5\text{mA}$, $V_{CC} = 0\text{V}$			0.25	
$\overline{\text{BATT ON}}$ Off-Leakage Current	I_{OLKG}		-1		+1	μA
RESET FUNCTION						
Reset Threshold	V_{RST}	MAX69_ _EO33	2.80	2.93	3.00	V
		MAX69_ _EO30	2.50	2.63	2.70	
V_{RST} Hysteresis	V_{HYST}			10		mV
V_{CC} Falling Reset Delay		V_{CC} falling from $V_{RST(MAX)}$ to $V_{RST(MIN)}$ at 10V/ms , measured from the beginning of V_{CC} falling to RESET asserting high		10	50	μs
Reset Active Timeout Period	t_{RP}		140	200	280	ms
$\overline{\text{RESET}}$ Output Low Voltage	V_{OL}	Reset asserted $I_{OL} = 1.6\text{mA}$, $V_{BATT} = 2.0\text{V}$, $V_{CC} = 0\text{V}$			0.2	V
$\overline{\text{RESET}}$ Off-Leakage Current	I_{LKG}		-1		+1	μA
RESET Output High Voltage	V_{OH}	Reset asserted	$I_{OH} = 50\mu\text{A}$, $V_{CC} = 1.0\text{V}$, $V_{BATT} = 0\text{V}$	$0.8 \times V_{CC}$		V
			$I_{OH} = 1\text{mA}$, $V_{CC} = 2\text{V}$, $V_{BATT} = 0\text{V}$	$0.9 \times V_{CC}$		
RESET Output Low Voltage	V_{OL}	$V_{CC} = V_{CC(MIN)}$, $I_{OL} = 1.6\text{mA}$		0.032	0.1	V
2-WIRE DIGITAL INPUTS (SCL, SDA) ($V_{CC(MIN)} < V_{CC} < V_{CC(MAX)}$)						
Input High Voltage	V_{IH}		$0.7 \times V_{CC}$			V
Input Low Voltage	V_{IL}				$0.3 \times V_{CC}$	V
Input Hysteresis	V_{HYS}			$0.05 \times V_{CC}$		V
Input Leakage Current		$V_{IN} = \text{GND or } V_{CC}$	-1		+1	μA
Input Capacitance		(Note 8)			10	pF
Output Low Voltage	V_{OL}	$I_{OL} = 4\text{mA}$, $V_{CC} = V_{CC(MIN)}$			0.4	V

I²C-Compatible Real-Time Clocks with μ P Supervisor and NV RAM Controller

AC ELECTRICAL CHARACTERISTICS

($V_{CC(MIN)} < V_{CC} < V_{CC(MAX)}$, $T_A = -40^{\circ}\text{C}$ to $+85^{\circ}\text{C}$, unless otherwise noted.) (Note 2)

PARAMETER	SYMBOL	CONDITIONS	MIN	TYP	MAX	UNITS
2-WIRE BUS TIMING						
SCL Clock Frequency	f_{SCL}	(Note 9)	0.32		400.00	kHz
Bus Timeout	$t_{TIMEOUT}$		1		2	s
Bus Free Time Between STOP and START Condition	t_{BUF}		1.3			μ s
Hold Time After (Repeated) START Condition; After This Period, the First Clock Is Generated	$t_{HD:STA}$		0.6			μ s
Repeated START Condition Setup Time	$t_{SU:STA}$		0.6			μ s
STOP Condition Setup Time	$t_{SU:STO}$		0.6			μ s
Data Hold Time	$t_{HD:DAT}$	(Notes 10, 11)	0		0.9	μ s
Data Setup Time	$t_{SU:DAT}$		100			ns
SCL Low to Data Out Valid	$t_{VD:DAT}$	(Note 8)	50			ns
SCL Low Period	t_{LOW}		1.3			μ s
SCL High Period	t_{HIGH}		0.6			μ s
SCL/SDA Rise Time	t_R	(Note 12)	$20 + 0.1 \times C_B$		300	ns
SCL/SDA Fall Time (Receiving)	t_F	(Notes 12, 13)	$20 + 0.1 \times C_B$		300	ns
SCL/SDA Fall Time (Transmitting)	t_F	(Notes 12, 13)	$20 + 0.1 \times C_B$		250	ns
Pulse Width of Spike Suppressed	t_{SP}	(Note 8)			50	ns
Capacitive Load of Each Bus Line	C_B				400	pF

Note 1: V_{RST} is the reset threshold for V_{CC} . See the *Ordering Information*.

Note 2: All parameters are 100% tested at $T_A = +85^{\circ}\text{C}$. Limits over temperature are guaranteed by design and not production tested.

Note 3: 2-wire serial interface is operational for $V_{CC} > V_{RST}$.

Note 4: See the *Detailed Description* section (BATT function).

Note 5: I_{BATT} and I_{CCS} are specified with SDA and SCLK pulled high, OUT floating, and \overline{CE} OUT floating.

Note 6: 2-wire serial interface operating at 400kHz, SDA pulled high.

Note 7: For OUT switch over to BATT, V_{CC} must fall below V_{RST} and V_{BATT} . For OUT switchover to V_{CC} , V_{CC} must be above V_{RST} or above V_{BATT} .

Note 8: Guaranteed by design. Not production tested.

Note 9: Due to the 2-wire bus timeout feature, there is a minimum specification on the SCL clock frequency based on a 31-byte burst-mode transaction to RAM. See the *Timeout Feature* section.

Note 10: A device must internally provide a hold time of at least 300ns for the SDA signal (referred to the $V_{IH\ min}$ of the SCL signal) in order to bridge the undefined region of the falling edge of SCL.

Note 11: The maximum $t_{HD:DAT}$ only has to be met if the device does not stretch the LOW period (t_{LOW}) of the SCL signal.

Note 12: C_B = total capacitance of one bus line in pF.

Note 13: The maximum t_F for the SDA and SCL bus lines is specified at 300ns. The maximum fall time for the SDA output stage t_F is specified at 250ns. This allows series protection resistors to be connected between the SDA/SCL pins and the SDA/SCL bus lines without exceeding the maximum specified t_F .

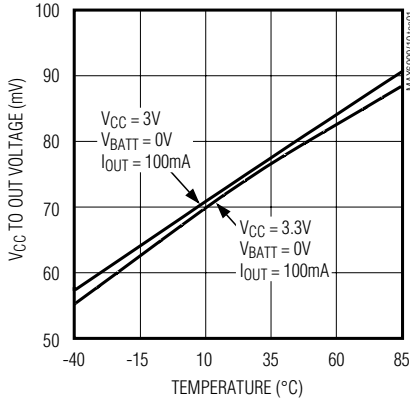
I²C-Compatible Real-Time Clocks with μ P Supervisor and NV RAM Controller

Typical Operating Characteristics

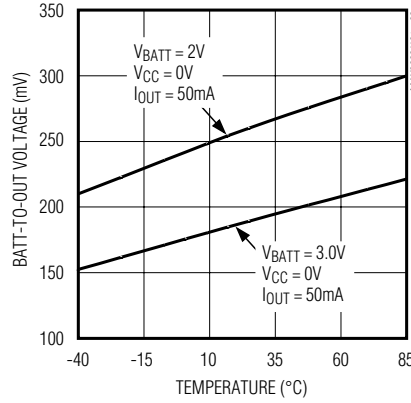
($V_{CC} = 3.3V$, $V_{BATT} = 3V$, $T_A = +25^\circ C$, unless otherwise noted.)

MAX6909/MAX6910

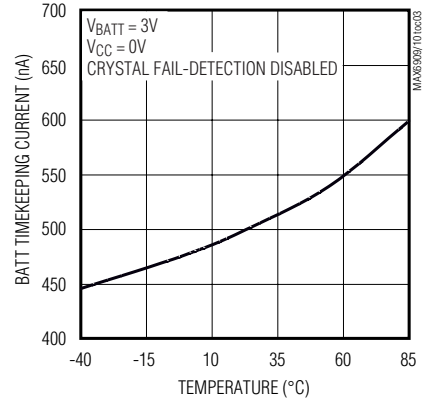
V_{CC} TO OUT VOLTAGE vs. TEMPERATURE



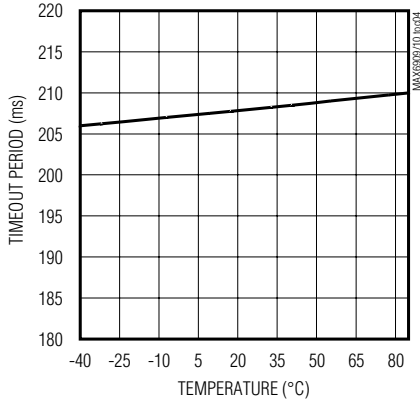
BATT-TO-OUT VOLTAGE vs. TEMPERATURE



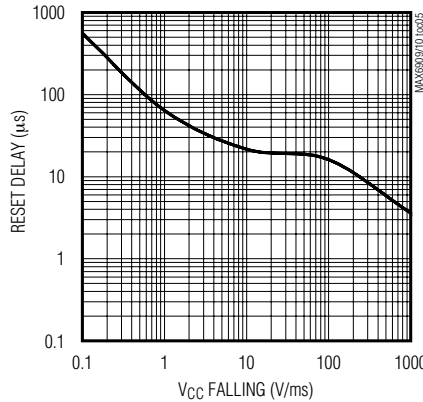
BATT TIMEKEEPING CURRENT vs. TEMPERATURE



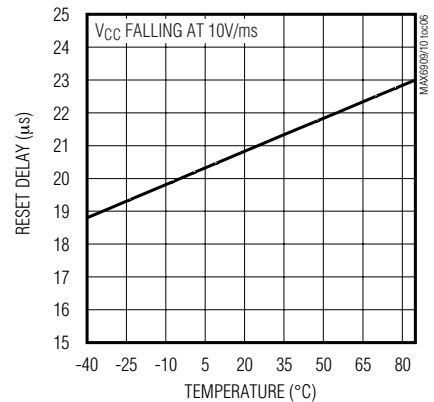
RESET TIMEOUT PERIOD vs. TEMPERATURE



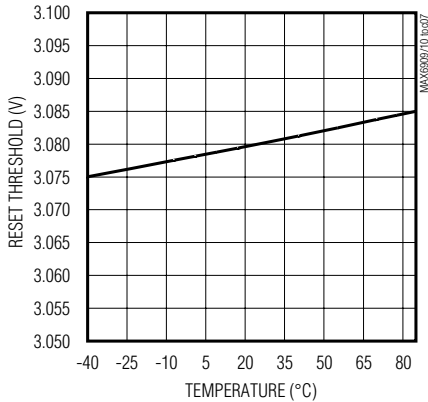
RESET COMPARATOR DELAY vs. V_{CC} FALLING



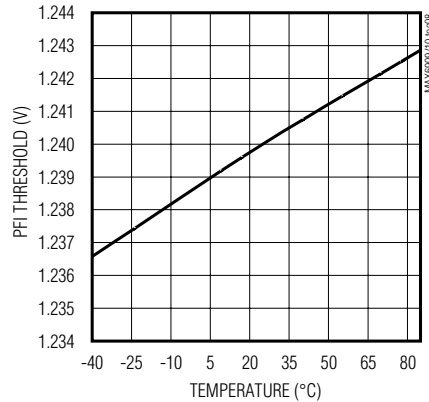
RESET COMPARATOR DELAY vs. TEMPERATURE



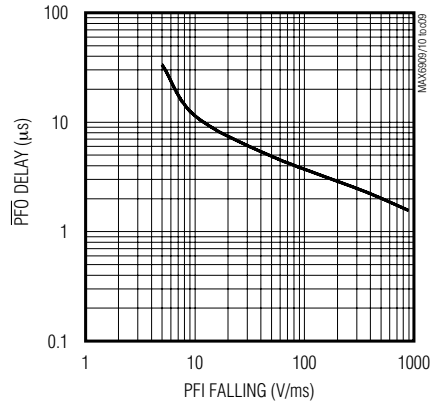
RESET THRESHOLD vs. TEMPERATURE



PFI THRESHOLD vs. TEMPERATURE



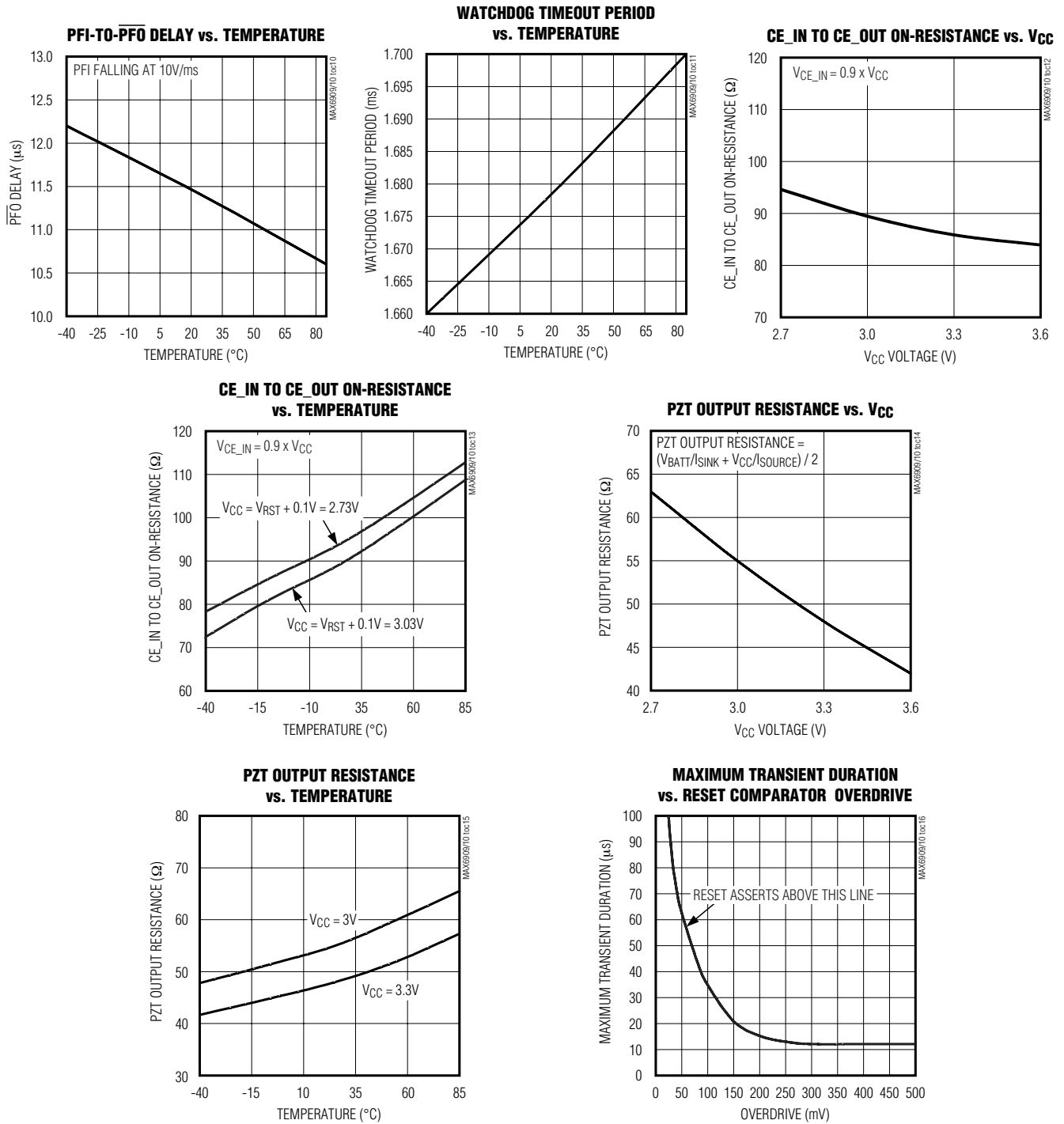
PFI-TO-PF0 DELAY vs. PFI FALLING



I²C-Compatible Real-Time Clocks with μ P Supervisor and NV RAM Controller

Typical Operating Characteristics (continued)

(V_{CC} = 3.3V, V_{BATT} = 3V, T_A = +25°C, unless otherwise noted.)



I²C-Compatible Real-Time Clocks with μ P Supervisor and NV RAM Controller

Pin Description

MAX6909/MAX6910

PIN	NAME	FUNCTION
1	BATT	Backup Battery Input. When V_{CC} falls below the reset threshold and V_{BATT} , OUT connects to BATT. Connect BATT to GND if no backup battery supply is used.
2	OUT	Supply Output for CMOS RAM or Other ICs Requiring Use of Backup Battery Power. Bypass to GND with at least a 0.1 μ F capacitor.
3	$\overline{\text{BATT ON}}$	Logic Output Open Drain. $\overline{\text{BATT ON}}$ is low when the MAX6909/MAX6910 are powered from BATT.
4	$\overline{\text{CE IN}}$	Chip-Enable Input. Input to the chip-enable switch used for external RAM. Connect to V_{CC} if unused.
5	PFI	Power-Fail Comparator Input. For monitoring external power supplies.
6	$\overline{\text{MR}}$	Manual Reset Input. The active-low input has an internal pullup resistor. Internal debouncing circuitry ensures noise immunity. Leave open if unused.
7	WDI	Watchdog Input
8	GND	Ground
9	X1	32.768kHz Crystal Pin; Oscillator Input
10	X2	32.768kHz Crystal Pin; Oscillator Output
11	$\overline{\text{CX FAIL}}$	Crystal Fail Output. Open drain, active low.
12	SDA	Serial Data Line. Data input/output connection for the 2-wire serial interface.
13	SCL	Serial Clock Line. Clock input connection for the 2-wire serial interface.
14	$\overline{\text{ALM}}$	Alarm Output. Open drain, active low.
15	PZT	Piezo Transducer Output. Push-pull Piezo transducer output.
16	$\overline{\text{PFO}}$	Power-Fail Comparator Output. Push-pull active low.
17	$\overline{\text{CE OUT}}$	Chip-Enable Output. For controlling external RAM.
18	$\overline{\text{RESET}}$	Open-Drain, Active-Low Reset Output
19	RESET	Push-Pull, Active-High Reset Output. Complement of $\overline{\text{RESET}}$.
20	V_{CC}	Main Supply Input. Bypass to GND with at least a 0.01 μ F capacitor.

Detailed Description

The MAX6909/MAX6910 contain eight 8-bit timekeeping registers, two burst address registers, a trickle charge register, a control register, a configuration register, an alarm configuration register, and seven alarm threshold registers, all controlled through a 2-wire serial interface. Figure 1 is the MAX6909/MAX6910 block diagram.

The OUT pin supplies voltage for CMOS RAM or other ICs requiring the use of backup battery power. When V_{CC} rises above the reset threshold (V_{RST}) or above V_{BATT} , OUT is connected to V_{CC} . When V_{CC} falls below V_{RST} and V_{BATT} , BATT is connected to OUT. If enabled, an on-board trickle charger charges BATT from V_{CC} . BATT can act as a backup supply from either a battery or SuperCap™. When operating from BATT, the battery-on output (BATT ON) is pulled low and can be used as an indicator of operation in battery backup mode.

SuperCap is a trademark of Baknor Industries.

There are two reset outputs, $\overline{\text{RESET}}$ and RESET. They become active while V_{CC} is below the reset threshold (V_{RST}) or while manual reset ($\overline{\text{MR}}$) is held low, and for t_{RP} after $\overline{\text{MR}}$ goes high, V_{CC} rises above the reset threshold, or a WDI pulse is not received when the watchdog function is enabled. Reset thresholds are available for 3V and 3.3V applications. See the *Ordering Information* for specifics. $\overline{\text{MR}}$ is internally pulled high and contains debounce circuitry to accommodate a manual pushbutton reset switch. The WDI, when enabled, keeps RESET and $\overline{\text{RESET}}$ from becoming active if it is strobed once every t_{WDS} or t_{WD} . The watchdog timeout is selectable in the configuration register.

Other features include internal chip-enable gating logic, which accepts a valid $\overline{\text{CE IN}}$ from a microprocessor and only gates it through as valid to $\overline{\text{CE OUT}}$ when the MAX6909/MAX6910 are not in a reset state. This can be used for disabling CMOS RAM to limit current consumption when OUT is switched to BATT.

I²C-Compatible Real-Time Clocks with μ P Supervisor and NV RAM Controller

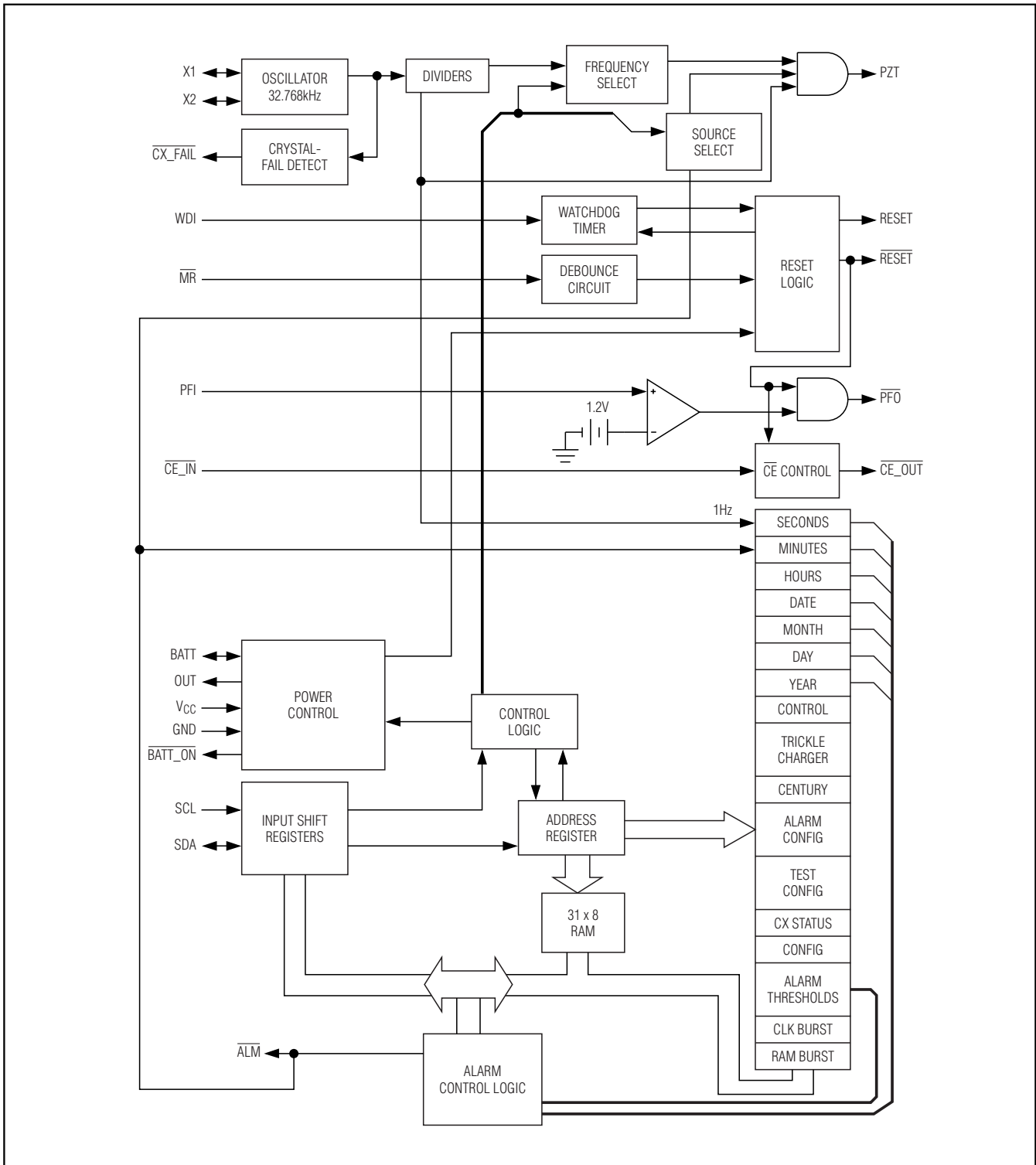


Figure 1. MAX6909/MAX6910 Block Diagram

I²C-Compatible Real-Time Clocks with μ P Supervisor and NV RAM Controller

A power-fail comparator is available to monitor other system voltages through PFI and report the status through PFO. If the MAX6909/MAX6910 are in reset, PFO is low; otherwise, it is high as long as PFI is greater than 1.27V (typ).

The piezo transducer drive output (PZT) has register-selectable frequencies of 1.024kHz, 2.048kHz, 4.096kHz, or 8.192kHz. This output can be selected to become active when the alarm is triggered or can be independently controlled through the configuration register. When activated, the PZT outputs a frequency with an attention-getting 1Hz duty cycle of 50% on and 50% off.

An on-chip crystal oscillator maintaining circuit, for use with a 32.768kHz crystal, provides the clock for time-keeping functions. A crystal fail output (CX FAIL) alerts the user when the 32.768kHz crystal oscillator has failed for 30 cycles (typ), resulting in conditions that produce invalid timekeeping data. The crystal fail function can also be polled by reading the status bit in the CX status register.

Crystal Selection

A 32.768kHz crystal is connected to the MAX6909/MAX6910 through pins 9 and 10 (X1 and X2). The crystal selected for use should have a specified load capac-

itance (C_L) of 6pF where the capacitive load is included in the MAX6909/MAX6910. When designing the PC board, keep the crystal as close to the X1 and X2 pins as possible. Keep the trace lengths short and small and place a guard ring around the crystal and connect the ring to GND to reduce capacitive loading and prevent unwanted noise pickup. Keep all signals out from beneath the crystal and the X1 and X2 pins to prevent noise coupling. Finally, an additional local ground plane on an adjacent PC board layer can be added under the crystal to shield it from unwanted pickup from traces on other layers of the board. This plane should be isolated from the regular PC board ground plane, should be no larger than the perimeter of the guard ring, and connected to the GND pin of the MAX6909/MAX6910. Ensure that this ground plane does not contribute to significant capacitance between signal line and ground on the connections that run from X1 and X2 to the crystal. Figure 2 shows the recommended crystal layout.

Some crystal manufacturers and part numbers for their SMT, 32.768kHz watch crystals that require 6pF loads are listed in Table 1. In addition, these manufacturers offer other package options depending upon the specific application considerations.

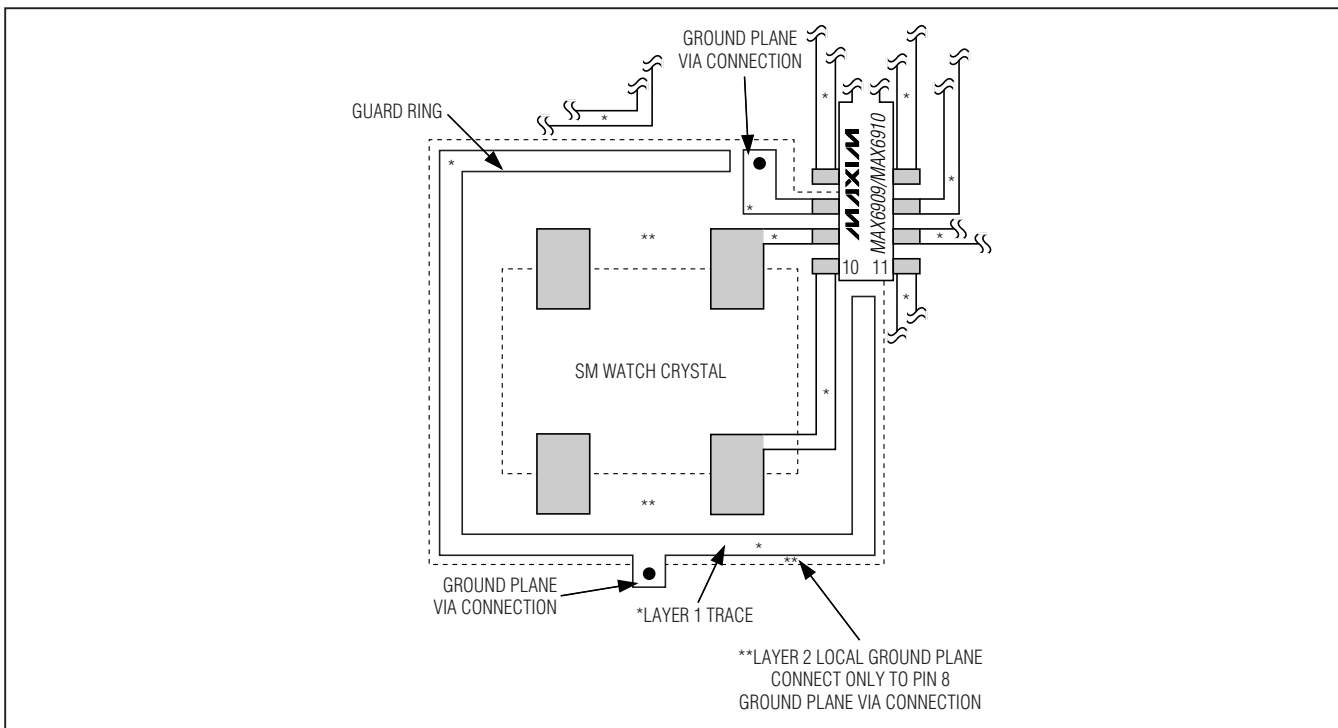


Figure 2. Recommended Crystal Layout

I²C-Compatible Real-Time Clocks with μ P Supervisor and NV RAM Controller

Table 1. Crystal Manufacturers and Part Numbers

MANUFACTURER	PART	TEMP RANGE (°C)	C _L (pF)	+25°C FREQUENCY TOLERANCE (ppm)
Caliber Electronics	AWS2A-32.768KHz, AWS2B-32.768KHz	-20 to +70	6	±20
ECS INC International	ECS-.327-6.0-17	-10 to +60	6	±20
Fox Electronics	FSM327	-40 to +85	6	±20
M-tron	SX2010/ SX2020	-20 to +75	6	±20
Raltron	RSE-32.768-6-C-T	-10 to +60	6	±20

Timekeeping accuracy of the MAX6909/MAX6910 is dependent on the frequency stability of the external crystal. To determine frequency stability, use the parabolic curve of Figure 3 and the following equations:

$$\Delta f = f \times k \times (T_0 - T)^2$$

where:

Δf = change in frequency from +25°C (Hz)

f = nominal crystal frequency (Hz)

k = parabolic curvature constant (-0.035 ± 0.005 ppm/°C² for 32.768kHz watch crystals)

T_0 = turnover temperature (+25°C ± 5°C for 32.768kHz watch crystals)

T = temperature of interest (°C)

For example: What is the worst-case change in oscillator frequency from +25°C ambient to +45°C ambient?

$$\Delta f_{\text{drift}} = 32,768\text{Hz} \times (-0.04\text{ppm}/^\circ\text{C})^2 \times (20^\circ\text{C} - 45^\circ\text{C})^2 = -0.8192\text{Hz}$$

What is the worst-case timekeeping error per second?

1) Error due to temperature drift:

$$\Delta t_{\text{drift}} \{ [1 / [(f + \Delta f_{\text{drift}}) / 32,768]] - 1s \} / 1s$$

$$\Delta t_{\text{drift}} \{ [1 / [(32,768\text{Hz} - 0.8192\text{Hz}) / 32,768]] - 1s \} / 1s = 0.000025s / s$$

2) Error due to +25°C initial crystal tolerance of ±20ppm:

$$\Delta f_{\text{initial}} = 32,768\text{Hz} \times (-20\text{ppm}) = -0.65536\text{Hz}$$

$$\Delta t_{\text{initial}} = \{ [1 / [(f + \Delta f_{\text{initial}}) / 32,768]] - 1 \} / 1s$$

$$\Delta t_{\text{initial}} = \{ [1 / [32,768 - 0.65536 / 32,768]] - 1 \} / 1s = 0.000020s / s$$

3) Total timekeeping error per second:

$$\Delta t_{\text{total}} = \Delta t_{\text{drift}} + t_{\text{initial}}$$

$$\Delta t_{\text{total}} = 0.000025s / s + 0.000020s / s = 0.000045s / s$$

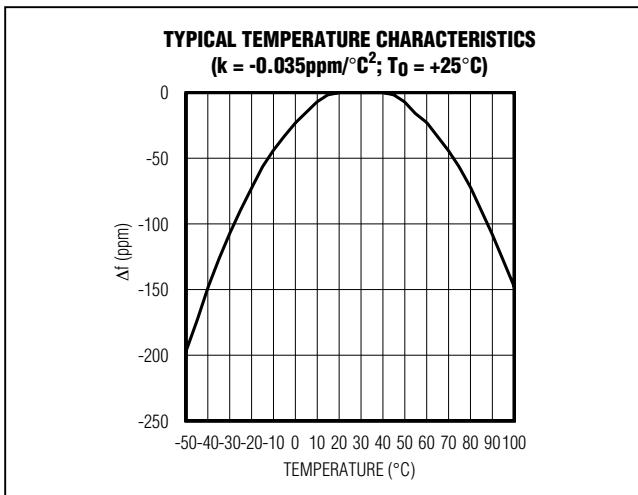


Figure 3. Frequency Stability and Temperature

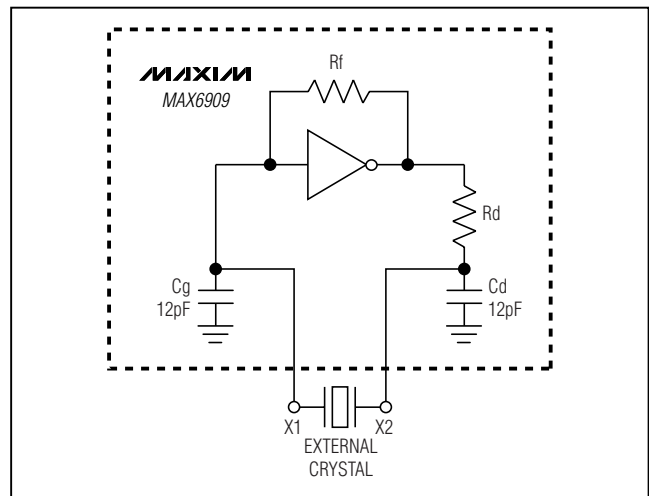


Figure 4. Oscillator Functional Schematic

I²C-Compatible Real-Time Clocks with μ P Supervisor and NV RAM Controller

MAX6909/MAX6910

Table 2. Acceptable Quartz Crystal Parameters

PARAMETER	SYMBOL	MIN	TYP	MAX	UNITS
Frequency	f		32.768		kHz
Equivalent series resistance (ESR)	R _S			60	k Ω
Parallel load capacitance	C _L		6		pF
Q factor	Q	40,000			

After 1 month that translates to:

$$\Delta t = (31 \text{ day}) \times \left(24 \frac{\text{hr}}{\text{day}}\right) \times \left(60 \frac{\text{min}}{\text{hr}}\right) \times \left(60 \frac{\text{s}}{\text{min}}\right) \times (0.000045 \text{ s/s}) = 120.158 \text{ s}$$

Total worst-case timekeeping error at the end of 1 month at +45°C is approximately 120s or 2min (assumes negligible parasitic layout capacitance). Figure 5 shows the register address definition. Table 3 is the hex register address/description.

Control Register (Write Protect Bit)

Bit 7 of the control register is the write protect bit. The lower 7 bits (bits 0–6) are forced to zero and always read a zero when read. Before any write operation to the clock or RAM, bit 7 must be zero. When high, the write protect bit prevents a write operation to any other register.

Hours Register (AM-PM/12-24 Mode)

Bit 7 of the hours register is defined as the 12-hour or 24-hour mode select bit. When high, the 12-hour mode is selected. In the 12-hour mode, bit 5 is the AM/PM bit with logic high being PM. In the 24-hour mode, bit 5 is the second 10-hour bit (20h–23h).

Clock Burst

Addressing the clock burst register specifies burst mode operation. In this mode, the first seven clock/calendar registers and the control register can be consecutively read or written starting with bit 7 of address BEh for a write and BFh for a read. If the write protect bit is set high when a write clock/calendar burst mode is specified, no data transfer occurs to any of the seven clock/calendar registers or the control register. When writing to the clock registers in the burst mode, all eight registers must be written in order for the data to be transferred. In addition, the WP bit in the control register must be set to zero prior to a clock burst write.

RAM

The static RAM is 31 bytes addressed consecutively in the RAM address space. Even address/commands (C0h–FCh) are used for writes, and odd address/commands (C1h–FDh) are used for reads. The contents of the RAM are static and remain valid for V_{OUT} down to 1.5V (typ).

RAM Burst

Addressing the RAM burst register specifies burst mode operation. In this mode, the 31 RAM registers can be consecutively read or written starting with bit 7 of address FEh for a write and FFh for a read. When writing to RAM in burst mode, it is not necessary to write all 31 bytes for the data to transfer. Each byte that is written to is transferred to RAM regardless of whether all 31 bytes are written.

Trickle Charge Register (MAX6910)

The trickle charge register controls the trickle charger characteristics of the MAX6910. The trickle charger functional schematic (Figure 6) shows the basic components of the trickle charger. Table 4 details the bit settings for trickle charger control. Trickle charge selection (TCS) bits D7–D4 control the selection of the trickle charger. In order to prevent accidental enabling, only a pattern of 1010 enables the trickle charger. All other patterns disable the trickle charger. The MAX6910 powers up with the trickle charger disabled. The diode select (DS) bits (D3–D2) select whether two diodes or no diodes are connected between V_{CC} and BATT. If DS is 10, no diode is selected; if DS is 01, two diodes are selected. If DS is 00 or 11, the trickle charger is disabled independent of the state of the TCS bits. The RS bits (D1–D0) select the resistor that is connected between V_{CC} and BATT. If both RS bits are set to zero, the trickle charger is disabled, regardless of any other bit states in the trickle charger register. RS bits set to 10 select a 1.7K, 01 selects 2.9K, and 11 select 5K.

I²C-Compatible Real-Time Clocks with μ P Supervisor and NV RAM Controller

REGISTER ADDRESS									REGISTER DEFINITION								
FUNCTION	A7	A6	A5	A4	A3	A2	A1	A0	VALUE	D7	D6	D5	D4	D3	D2	D1	D0
SEC	1	0	0	0	0	0	0	RD	00-59	0	10 SEC		1 SEC				
									*/W								*POR STATE
MIN	1	0	0	0	0	0	1	RD	00-59	ALM OUT	10 MIN		1 MIN				
									*/W								*POR STATE
HR	1	0	0	0	0	1	0	RD	00-23	0	10 HR	10 HR	1 HR				
									01-12		1/0						
DATE	1	0	0	0	0	1	1	RD	01-28/29	0	0	10 DATE		1 DATE			
									01-30			*POR STATE					
MONTH	1	0	0	0	1	0	0	RD	01-12	0	0	0	10 M	1 MONTH			
									*/W								*POR STATE
DAY	1	0	0	0	1	0	1	RD	01-07	0	0	0	0	WEEKDAY			
									*/W								*POR STATE
YEAR	1	0	0	0	1	1	0	RD	00-99	10 YEAR			1 YEAR				
									*/W								*POR STATE
CONTROL	1	0	0	0	1	1	1	RD		WP	0	0	0	0	0	0	0
									*/W								*POR STATE
TRICKLE CHARGER	1	0	0	1	0	0	0	RD		TCS	TCS	TCS	TCS	DS	DS	RS	RS
									*/W								*POR STATE
CENTURY	1	0	0	1	0	0	1	RD	00-99	1000 YEAR			100 YEAR				
									*/W								*POR STATE
ALARM CONFIG	1	0	0	1	0	1	0	RD		CX FAIL EN	YEAR	DAY	MONTH	DATE	HOUR	MIN	SEC
									*/W								*POR STATE
TEST CONFIG	1	0	0	1	0	1	1	RD		0	0	0	0	0	1	1	1
									*/W								*POR STATE

NOTE: *POR STATE DEFINES POWER-ON RESET STATE OF REGISTER CONTENTS. THE TEST CONFIG REGISTER IS A READ-ONLY REGISTER.

Figure 5. Register Address Definition (Sheet 1 of 2)

I²C-Compatible Real-Time Clocks with μ P Supervisor and NV RAM Controller

MAX6909/MAX6910

REGISTER ADDRESS								REGISTER DEFINITION										
FUNCTION	A7	A6	A5	A4	A3	A2	A1	A0	VALUE	D7	D6	D5	D4	D3	D2	D1	D0	
CX STATUS	1	0	0	1	1	0	0	RD	CX FAIL	0	0	0	0	0	0	0	0	
								/W										
CONFIG	1	0	0	1	1	0	1	RD	*POR STATE	0	0	0	0	0	0	0	0	
								/W	WD EN	0	0	WD TIME	PZT SEL	PZT CNTL	PZT REFQ	PZT FREQ		
ALARM THRESHOLDS: SEC	1	0	0	1	1	1	0	RD	*POR STATE	0	0	0	0	0	0	0	0	
								/W	00-59	0	10 SEC	1 SEC						
MIN	1	0	0	1	1	1	1	RD	*POR STATE	0	1	1	1	1	1	1	1	
								/W	00-59	0	10 MIN	1 MIN						
HR	1	0	1	0	0	0	0	RD	00-23	12/24	0	10 HR	10 HR	1 HR				
							/W	01-12	1/0	A/P 0/1								
DATE	1	0	1	0	0	0	1	RD	*POR STATE	1	0	1	1	1	1	1	1	
								/W	01-28/29	0	0	10 DATE	1 DATE					
MONTH	1	0	1	0	0	1	0	RD	*POR STATE	0	0	0	10 M	1 MONTH				
								/W	01-12	0	0	0	1	1	1	1	1	
DAY	1	0	1	0	0	1	1	RD	01-07	0	0	0	0	0	WEEKDAY			
								/W	*POR STATE	0	0	0	0	0	0	0	0	
YEAR	1	0	1	0	1	0	0	RD	00-99	10 YEAR		1 YEAR						
								/W	*POR STATE	1	1	1	1	1	1	1	1	
CLOCK BURST	1	0	1	1	1	1	1	RD	RAM DATA 0	X	X	X	X	X	X	X	X	
								/W										
RAM	RAM 0	1	1	0	0	0	0	RD	RAM DATA 30	X	X	X	X	X	X	X	X	
								/W										
RAM 30	1	1	1	1	1	1	1	RD										
								/W										
RAM BURST	1	1	1	1	1	1	1	RD										
								/W										

NOTE: *POR STATE DEFINES POWER-ON RESET STATE OF REGISTER CONTENTS.

Figure 5. Register Address Definition (Sheet 2 of 2)

I²C-Compatible Real-Time Clocks with μ P Supervisor and NV RAM Controller

Table 3. Hex Register Address/Description

WRITE (HEX)	READ (HEX)	DESCRIPTION	POR CONTENTS (HEX)	POR CONTENTS (BCD)
80	81	Seconds	00	00
82	83	Minutes	00	00
84	85	Hours	00	00
86	87	Date	01	01
88	89	Month	01	01
8A	8B	Day	01	01
8C	8D	Year	70	70
8E	8F	Control	00	00
90	91	Trickle charger	00	00
92	93	Century	19	19
94	95	Alarm configuration	00	00
—	97	Test configuration*	07	07
98	99	CX status	00	00
9A	9B	Configuration	00	00
9C	9D	Seconds alarm threshold	7F	7F
9E	9F	Minutes alarm threshold	7F	7F
A0	A1	Hours alarm threshold	BF	BF
A2	A3	Date alarm threshold	3F	3F
A4	A5	Month alarm threshold	1F	1F
A6	A7	Day alarm threshold	00	00
A8	A9	Year alarm threshold	FF	FF
BE	BF	Clock burst	N/A	N/A
C0	C1	RAM 0	Indeterminate	Indeterminate
C2	C3	RAM 1	Indeterminate	Indeterminate
C4	C5	RAM 2	Indeterminate	Indeterminate
C6	C7	RAM 3	Indeterminate	Indeterminate
C8	C9	RAM 4	Indeterminate	Indeterminate
CA	CB	RAM 5	Indeterminate	Indeterminate
CC	CD	RAM 6	Indeterminate	Indeterminate
CE	CF	RAM 7	Indeterminate	Indeterminate
D0	D1	RAM 8	Indeterminate	Indeterminate
D2	D3	RAM 9	Indeterminate	Indeterminate
D4	D5	RAM 10	Indeterminate	Indeterminate
D6	D7	RAM 11	Indeterminate	Indeterminate
D8	D9	RAM 12	Indeterminate	Indeterminate
DA	DB	RAM 13	Indeterminate	Indeterminate
DC	DD	RAM 14	Indeterminate	Indeterminate
DE	DF	RAM 15	Indeterminate	Indeterminate
E0	E1	RAM 16	Indeterminate	Indeterminate
E2	E3	RAM 17	Indeterminate	Indeterminate

*This is a read-only register.

I²C-Compatible Real-Time Clocks with μ P Supervisor and NV RAM Controller

MAX6909/MAX6910

Table 3. Hex Register Address/Description (continued)

WRITE (HEX)	READ (HEX)	DESCRIPTION	POR CONTENTS (HEX)	POR CONTENTS (BCD)
E4	E5	RAM 18	Indeterminate	Indeterminate
E6	E7	RAM 19	Indeterminate	Indeterminate
E8	E9	RAM 20	Indeterminate	Indeterminate
EA	EB	RAM 21	Indeterminate	Indeterminate
EC	ED	RAM 22	Indeterminate	Indeterminate
EE	EF	RAM 23	Indeterminate	Indeterminate
F0	F1	RAM 24	Indeterminate	Indeterminate
F2	F3	RAM 25	Indeterminate	Indeterminate
F4	F5	RAM 26	Indeterminate	Indeterminate
F6	F7	RAM 27	Indeterminate	Indeterminate
F8	F9	RAM 28	Indeterminate	Indeterminate
FA	FB	RAM 29	Indeterminate	Indeterminate
FC	FD	RAM 30	Indeterminate	Indeterminate
FE	FF	RAM Burst	N/A	N/A

Diode and resistor selection is determined by the user, according to the maximum current desired for the battery or SuperCap charging. The maximum charging current can be calculated as shown in the following example. Assume that a system power supply of 3V is applied to V_{CC} and a SuperCap is connected to BATT. Also assume that the trickle charger has been enabled with no diode and resistor R1 between V_{CC} and BATT. The maximum current I_{MAX} would therefore be calculated as follows:

$$I_{MAX} = \frac{3.0V}{R1} \approx \frac{3.0V}{1.7k\Omega} \approx 1.76mA$$

As the SuperCap charges, the voltage difference between V_{CC} and V_{BATT} decreases, and therefore the charge current decreases. The MAX6909 does not feature a trickle charger.

Power Control, Trickle Charger, and Battery Switchover

BATT provides power as a battery backup. V_{CC} provides the primary power in dual-supply systems where BATT is connected as a backup source to maintain the timekeeping function and RAM + register contents. When V_{CC} rises above the reset threshold, V_{RST}, V_{CC} powers the MAX6909/MAX6910. When V_{CC} falls below the reset

threshold, V_{RST}, and is less than V_{TPD}, BATT powers the MAX6909/MAX6910. If V_{CC} falls below the reset threshold, V_{RST}, and is more than V_{TPD}, V_{CC} powers the MAX6909/MAX6910. When RESET and $\overline{\text{RESET}}$ are active, all inputs (MR, WDI, CE IN, and the 2-wire interface) are disabled. In addition, when operating from BATT, the outputs RESET, $\overline{\text{RESET}}$, and $\overline{\text{PFO}}$ remain in the active state, PZT is high impedance and $\overline{\text{CE OUT}}$ is pulled to OUT. The timekeeping function remains active, together with the alarm function and crystal fail function if enabled. To minimize power consumption when operating from BATT, some functions are disabled; see Table 5. MAX6909/MAX6910 functional blocks remain active when powered from V_{CC} or BATT.

A battery can be connected prior to application of V_{CC} with no current being drawn from the battery and the MAX6909/MAX6910 remaining inactive. This is the freshness seal mode of operation. On the very first application of V_{CC} to the MAX6909/MAX6910, V_{CC} must rise above the reset threshold. The battery should only be changed with V_{CC} applied in order to maintain timekeeping functions.

The trickle charger can be enabled and disabled through software control but is automatically disabled whenever V_{CC} falls below V_{BATT}.

I²C-Compatible Real-Time Clocks with μ P Supervisor and NV RAM Controller

Table 4. Trickle-Charger Register Control

D7	D6	D5	D4	D3	D2	D1	D0	ACTION
TCS	TCS	TCS	TCS	DS	DS	RS	RS	
X	X	X	X	0	0	X	X	Trickle charger disabled
X	X	X	X	1	1	X	X	Trickle charger disabled
X	X	X	X	X	X	0	0	Trickle charger disabled
1	0	1	0	1	0	1	0	No diode selected; 1.7K selected
1	0	1	0	1	0	0	1	No diode selected; 2.9K selected
1	0	1	0	1	0	1	1	No diode selected; 5K selected
1	0	1	0	0	1	1	0	Two diodes selected; 1.7K selected
1	0	1	0	0	1	0	1	Two diodes selected; 2.9K selected
1	0	1	0	0	1	1	1	Two diodes selected; 5K selected

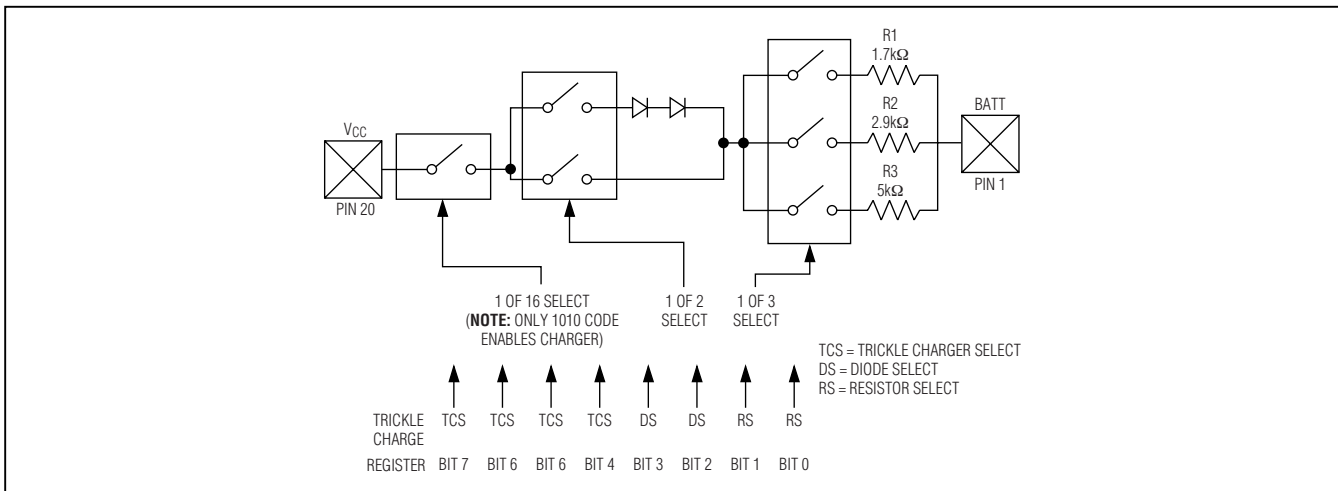


Figure 6. Trickle-Charger Functional Schematic

OUT Function

OUT is an output supply voltage for external devices. When V_{CC} rises above the reset threshold or is greater than V_{BATT} , OUT connects to V_{CC} . When V_{CC} falls below V_{RST} and V_{BATT} , OUT connects to BATT. There is a typical $V_{TRU} - V_{TRD}$ hysteresis associated with the switching between V_{CC} and BATT if $BATT < V_{RST}$ and typically V_{HYST} of hysteresis if $BATT > V_{RST}$. Connect at least a 0.1 μ F capacitor from OUT to ground (GND). Switching from V_{CC} to BATT uses a break-before-make switch; a capacitor from OUT to GND prevents loss of power needed for clock data and RAM during switchover.

Oscillator Start Time

The MAX6909/MAX6910 oscillator typically takes 100ms to settle to its optimum operating power level after start-up. To ensure the oscillator is operating, the system software should validate this by reading the seconds register. Any reading with more than 0s, from the POR value of 0s, is a validation that the oscillator is operating.

Power-On Reset (POR)

The MAX6909/MAX6910 contain an integral POR circuit that ensures all registers are reset to a known state on power-up. On initial power-up, once V_{OUT} rises above 0.75V (typ), the POR circuit releases the registers for normal operation. Should V_{OUT} dip to less than 1.5V (typ), the contents of the MAX6909/MAX6910 registers can no longer be guaranteed.

I²C-Compatible Real-Time Clocks with μ P Supervisor and NV RAM Controller

Table 5. MAX6910 I/O and IC Sections Powered from V_{CC} and BATT

DESCRIPTION	PIN	PIN NAME	POWER = V _{CC}	V _{CC} < V _{RST}	V _{CC} < V _{RST} COMMENTS	COMMENTS
Crystal Oscillator I/O	9	X1	Enabled	Enabled		
Crystal Oscillator I/O	10	X2	Enabled	Enabled		
Backup Power-Supply Input	1	BATT	N/A	N/A		Power pin
OUT (> of V _{CC} or BATT if V _{CC} < V _{RESET})	2	OUT	N/A	N/A		Power output pin
Manual Reset Input	6	$\overline{\text{MR}}$	Enabled	Disabled	Input ignored	
Battery-On Output	3	$\overline{\text{BATT ON}}$	Enabled	Enabled		
Watchdog Input	7	WDI	Enabled	Disabled	Input ignored	
Chip-Enable Input	4	$\overline{\text{CE IN}}$	Enabled	Disabled	Input ignored	
Power-Fail Input	5	PFI	Enabled	Disabled	Input ignored	
Ground	8	GND	N/A	N/A		Power pin
Active Low, Open-Drain Reset Output (-OD)	18	$\overline{\text{RESET}}$	Enabled	Enabled	Pulled low	
Active High, Push/Pull Reset Output	19	RESET	Enabled	Enabled	Pulled to V _{CC}	
Chip-Enable Output	17	$\overline{\text{CE OUT}}$	Enabled	Disabled	Pulled to OUT	
Power-Fail Output	16	$\overline{\text{PFO}}$	Enabled	Enabled	Pulled low	
Alarm Output	14	$\overline{\text{ALM}}$	Enabled	Enabled		
Piezo Output	15	PZT	Enabled	Disabled	High impedance	
Crystal-Fail Output	11	$\overline{\text{CX FAIL}}$	Enabled	Enabled		
2-Wire Bus Data I/O	12	SDA	Enabled	Disabled		
2-Wire Bus Clock	13	SCL	Enabled	Disabled		
Main Power-Supply Input	20	V _{CC}	N/A	N/A		Power pin
Trickle Charge	1 to 20		Enabled	Disabled		
FEATURES						
Crystal Oscillator			Enabled	Enabled		Supply = OUT
RAM			Enabled	Enabled		Supply = OUT
Timekeeping Registers			Enabled	Enabled		Supply = OUT
Control Registers			Enabled	Enabled		Supply = OUT
Crystal Fail Detect			Enabled	Enabled		Supply = OUT
Alarm Registers			Enabled	Enabled		Supply = OUT
Power-Fail Comparator			Enabled	Enabled	Disabled in BATT	Supply = OUT
RESET Comparator			Enabled	Enabled		Supply = V _{CC}
Watchdog Timer			Enabled	Disabled		Supply = OUT
Internal Reference			Enabled	Enabled		Supply = V _{CC}
Power Switchover			Enabled	Enabled		Supply = V _{CC}
CE Circuitry			Enabled	Disabled		Supply = OUT
Piezo Dividers/Select Register			Enabled	Enabled		Supply = OUT
Trickle Charge			Enabled	Disabled		Supply = OUT

MAX6909/MAX6910

I²C-Compatible Real-Time Clocks with μ P Supervisor and NV RAM Controller

Alarm Generation Registers

The alarm function generates an ALARM when the contents of the SEC, MIN, HR, DATE, MONTH, DAY, or YEAR registers match the respective alarm threshold registers. Also, the generation of the ALARM is programmable through the alarm configuration register. The alarm configuration register can be written to with an address of 94H or it can be read with an address of 95H. The alarm configuration register definition is shown in Figure 5 (register address definition). Placing a 1 in the appropriate bit enables the $\overline{\text{ALM}}$ and the alarm out status bit when the selected alarm threshold register contents match the respective timekeeping register contents. For example, writing 0000 0001 to the alarm configuration register causes the alarm pin to get triggered every minute (each time the contents of the seconds timekeeping register match the contents of the seconds alarm threshold register). Writing 0000 0010 causes the alarm to go on every hour (each time the contents of the minutes timekeeping register match the contents of the minutes alarm threshold register). Writing a 0100 1111 to the alarm configuration register, therefore, causes the alarm to be triggered on a specific second, of a specific minute, of a specific hour, of a specific date, of a specific year. The alarm output stays low until it is “cleared” by reading or writing to the alarm configuration register or by reading or writing to any of the alarm threshold registers.

Minutes Register (Alarm Out Status)

An alarm out status bit is available if it is desired to use the alarm function as a polled alarm instead of connecting directly to the $\overline{\text{ALM}}$ output pin. Bit D7 in the minutes timekeeping register contains the status of the $\overline{\text{ALM}}$ output with a 1 indicating the alarm function has triggered and zero indicating no triggered alarm.

Manual Reset Input

Many microprocessor-based products require manual-reset capability, allowing the operator, a test technician, or external logic circuitry to initiate a reset. With the MAX6909/MAX6910, a logic low on $\overline{\text{MR}}$ asserts reset. Reset remains asserted while $\overline{\text{MR}}$ is low, and for t_{RP} (Figure 7) after it returns high. $\overline{\text{MR}}$ has an internal pullup resistor of typically 50k Ω , so it can be left open if it is not used. Internal debounce circuitry requires a minimum low time on the $\overline{\text{MR}}$ input of 1 μ s with 100ns (typ) minimum glitch immunity.

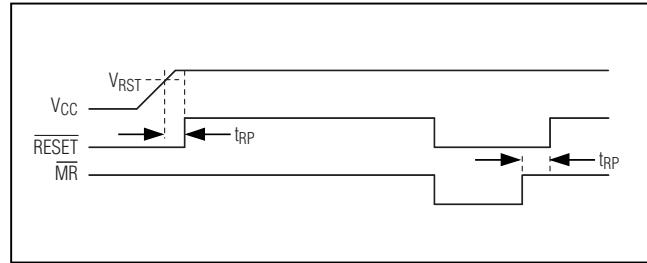


Figure 7. Manual Reset Timing

Reset Outputs

A μ P's reset input starts the μ P in a known state. When $\overline{\text{RESET}}$ and $\overline{\text{RESET}}$ are active, all control inputs ($\overline{\text{MR}}$, $\overline{\text{WDI}}$, $\overline{\text{CE IN}}$, and the 2-wire interface) are disabled. The MAX6909/MAX6910 μ P supervisory circuit asserts a reset to prevent code-execution errors during power-up, power-down, and brownout conditions. $\overline{\text{RESET}}$, open-drain active low, and $\overline{\text{RESET}}$ (push-pull active high) are guaranteed to be active for $0\text{V} < V_{\text{CC}} < V_{\text{RST}}$, provided V_{OUT} is greater than 1V. Once V_{CC} exceeds the reset threshold, an internal timer keeps $\overline{\text{RESET}}$ and $\overline{\text{RESET}}$ active for the reset timeout period (t_{RP}); after this interval, $\overline{\text{RESET}}$ becomes inactive (high) and $\overline{\text{RESET}}$ becomes inactive (low). If a brownout condition occurs (V_{CC} dips below the reset threshold), $\overline{\text{RESET}}$ and $\overline{\text{RESET}}$ become active. Each time $\overline{\text{RESET}}$ and $\overline{\text{RESET}}$ are asserted, they are held active for the reset timeout period.

The MAX69_ _EO30 is optimized to monitor $3.0\text{V} \pm 10\%$ power supplies. Except when $\overline{\text{MR}}$ is asserted, reset does not occur until V_{CC} falls below 2.7V ($3.0\text{V} - 10\%$), but is guaranteed to occur before the power supply falls below +2.5V.

The MAX69_ _EO33 is optimized to monitor $3.3\text{V} \pm 10\%$ power supplies. Except when $\overline{\text{MR}}$ is asserted, reset does not occur until V_{CC} falls below 3.0V (3.0V is just above $3.3\text{V} - 10\%$), but is guaranteed to occur before the power supply falls below 2.8V.

See the Maximum Transient Duration vs. Reset Comparator Overdrive graph in the *Typical Operating Characteristics*.

I²C-Compatible Real-Time Clocks with μ P Supervisor and NV RAM Controller

MAX6909/MAX6910

Negative-Going V_{CC} Transients

The MAX6909/MAX6910 are relatively immune to short-duration negative transients (glitches) while issuing resets to the μ P during power-up, power-down, and brownout conditions. Therefore, resetting the μ P when V_{CC} experiences only small glitches is usually not recommended.

Maximum transient duration vs. reset comparator overdrive (see the *Typical Operating Characteristics*) shows the maximum pulse period that can occur on V_{CC} for which reset pulses are NOT generated. The graph was produced using negative-going V_{CC} pulses, starting at 3.6V and ending below the reset threshold by the magnitude indicated (reset comparator overdrive). The graph shows the typical maximum pulse width a negative-going V_{CC} transient can have without causing a reset. As the amplitude of the transient increases (i.e., goes farther below the reset threshold), the maximum allowable pulse width decreases. Typically, a V_{CC} transient that goes 60mV below the reset threshold and lasts for 60 μ s or less does not cause a reset pulse to be issued. A capacitor of at least 0.1 μ F mounted close to the V_{CC} pin provides additional transient immunity.

Interfacing to Microprocessors with Bidirectional Reset Pins

Microprocessors with bidirectional reset pins, such as the Motorola 68HC11 series, can contend with the MAX6909/MAX6910 $\overline{\text{RESET}}$ or RESET outputs. If, for example, the RESET output is driven high and the μ P wants to pull it low, indeterminate logic levels may result. To correct this, connect a 4.7k Ω resistor between the RESET output and the μ P reset I/O as shown in Figure 8. Buffer the RESET output to other system components. The positive voltage supply for the RESET pin is V_{CC}. If V_{CC} drops, then so does the V_{OH} of this pin.

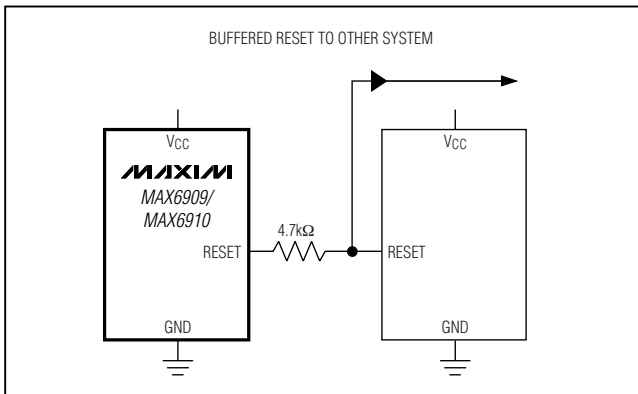


Figure 8. Interfacing to Microprocessors with Bidirectional Reset I/O

Battery-On Output

The battery-on output, $\overline{\text{BATT ON}}$, is an open-drain output indicator of when the MAX6909/MAX6910 are powered from the backup battery input, BATT. When V_{CC} falls below the reset threshold, V_{RST}, and below V_{BATT}, OUT switches from V_{CC} to BATT and $\overline{\text{BATT ON}}$ is asserted. When V_{CC} rises above V_{BATT} or the reset threshold, V_{RST}, OUT reconnects to V_{CC} and $\overline{\text{BATT ON}}$ is deasserted.

Watchdog Input

In the MAX6909/MAX6910, the watchdog circuit monitors the μ P's activity. Data bit D4 in the configuration register controls the selection of the watchdog timeout period. The power-up default is 1.6s (D4 = 0). If D4 is set to 1, then the watchdog timeout period is changed to 200ms. Data bit D7 in the configuration register is the watchdog enable function. A logic 0 disables the watchdog function and a logic 1 enables the watchdog function. The power-on reset state of WD EN is logic 0, meaning the watchdog function is disabled. When D4 is set to 1, the first watchdog timeout period following a reset cycle is always 1.6s and reverts to 200ms after the first WDI transition. This is to allow the μ P to recover after a RESET interrupt. If the μ P does not toggle the WDI within the register-selectable watchdog timeout period, $\overline{\text{RESET}}$ and $\overline{\text{RESET}}$ are asserted for 200ms. At the same time, bits D4 and D7 in the configuration register are reset. These bits have to be rewritten to enable the watchdog and short timeout function again. While $\overline{\text{RESET}}$ and $\overline{\text{RESET}}$ are asserted, all control inputs to the MAX6909/MAX6910 are disabled ($\overline{\text{MR}}$, $\overline{\text{CE IN}}$, WDI, and the 2-wire interface). Figure 9 shows the watchdog timing relationship.

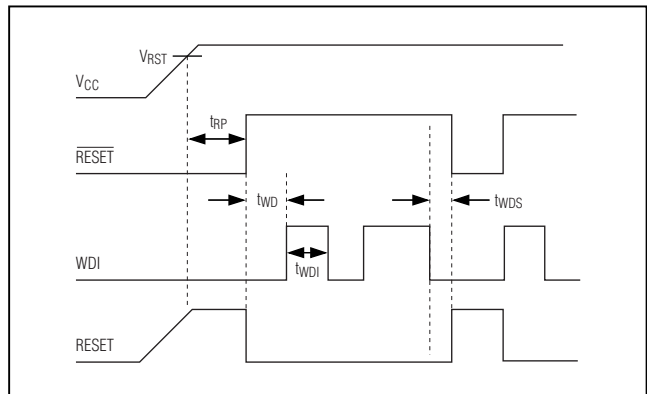


Figure 9. Watchdog Timing Relationship

I²C-Compatible Real-Time Clocks with μ P Supervisor and NV RAM Controller

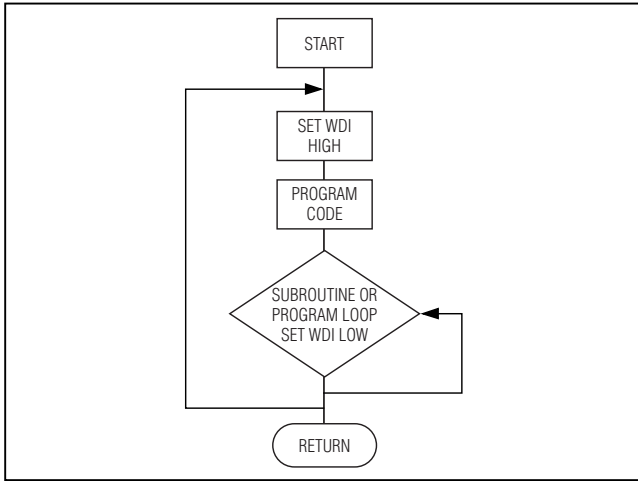


Figure 10. Watchdog Flow Diagram

Watchdog Software Considerations

There is a way to help the watchdog-timer monitor software execution more closely, which involves setting and resetting the watchdog input at different points in the program rather than “pulsing” the watchdog input high-low-high or low-high-low. This technique avoids a “stuck” loop, in which the watchdog timer continues to be reset within the loop, keeping the watchdog from timing out. Figure 10 shows an example of how the I/O driving the watchdog input is set high at the beginning of the program, set low at the beginning of every subroutine or loop, then set high again when the program returns to the beginning. If the program should “hang” in any subroutine, the problem would quickly be corrected since the I/O is continually set low and the watchdog timer is allowed to time out, causing a reset to be issued.

Chip-Enable Signal Gating

Internal gating of chip-enable (CE) signals prevents erroneous data from corrupting CMOS RAM in the event of an undervoltage condition. The MAX6909/MAX6910 use a transmission gate from $\overline{\text{CE IN}}$ to $\overline{\text{CE OUT}}$. During normal operation (reset not asserted), the transmission gate is enabled and passes all CE transitions. When reset is asserted, this path becomes disabled, preventing erroneous data from corrupting the CMOS RAM. The short CE propagation delay from $\overline{\text{CE IN}}$ to $\overline{\text{CE OUT}}$ enables the MAX6909/MAX6910 to be used with most microprocessors. If $\overline{\text{CE IN}}$ is low when reset asserts, $\overline{\text{CE OUT}}$ remains low for typically t_{RCE} to permit completion of the current write cycle. Figure 11 shows the chip-enable transmission gate.

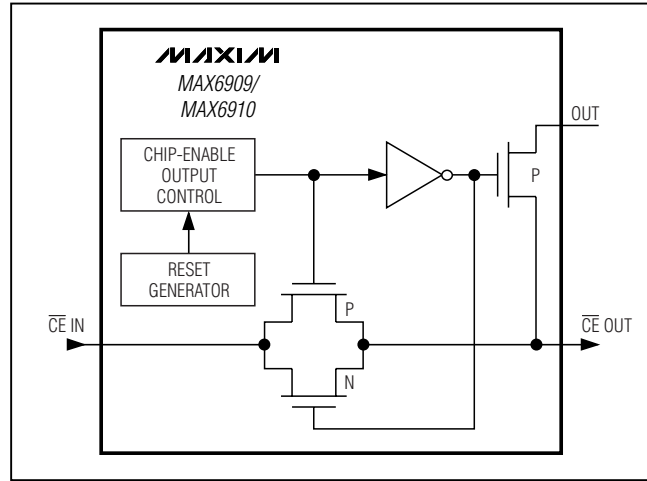


Figure 11. Chip-Enable Transmission Gate

Chip-Enable Input

The CE transmission gate is disabled and $\overline{\text{CE IN}}$ is high impedance (disabled mode) while reset is asserted. During a power-down sequence when V_{CC} goes below the reset threshold, the CE transmission gate disables, and $\overline{\text{CE IN}}$ immediately becomes high impedance if the voltage at $\overline{\text{CE IN}}$ is a logic high. If $\overline{\text{CE IN}}$ is logic low when reset asserts, the CE transmission gate disables at the moment $\overline{\text{CE IN}}$ goes high or t_{RCE} after reset asserts (t_{RCE}), whichever occurs first (Figure 12). This permits the current write cycle to complete during power-down. The CE transmission gate remains disabled and $\overline{\text{CE IN}}$ remains high impedance (regardless of $\overline{\text{CE IN}}$ activity) for (t_{RP}), the reset timeout period any time a reset is generated. While disabled, $\overline{\text{CE IN}}$ is high impedance. When the CE transmission gate is enabled, the impedance of $\overline{\text{CE IN}}$ appears as a load in series with the load at $\overline{\text{CE OUT}}$.

The propagation delay through the CE transmission gate depends on V_{CC} , the source impedance of the driver connected to $\overline{\text{CE IN}}$, and the loading on $\overline{\text{CE OUT}}$. The CE propagation delay is measured from the 50% point on $\overline{\text{CE IN}}$ to the 50% point on $\overline{\text{CE OUT}}$ using a 50Ω driver and 10pF of load capacitance (Figure 14), and is typically 5ns. For minimum propagation delay, minimize the capacitive load at $\overline{\text{CE OUT}}$, and use a low-output-impedance driver.

Chip-Enable Output

When the CE transmission gate is enabled, the impedance of $\overline{\text{CE OUT}}$ is equivalent to a resistor in series with the source driving $\overline{\text{CE IN}}$. In the disabled mode, the transmission gate is off and an active pullup connects $\overline{\text{CE OUT}}$ to OUT (Figure 12). This pullup turns off when the transmission gate is enabled.

I²C-Compatible Real-Time Clocks with μ P Supervisor and NV RAM Controller

MAX6909/MAX6910

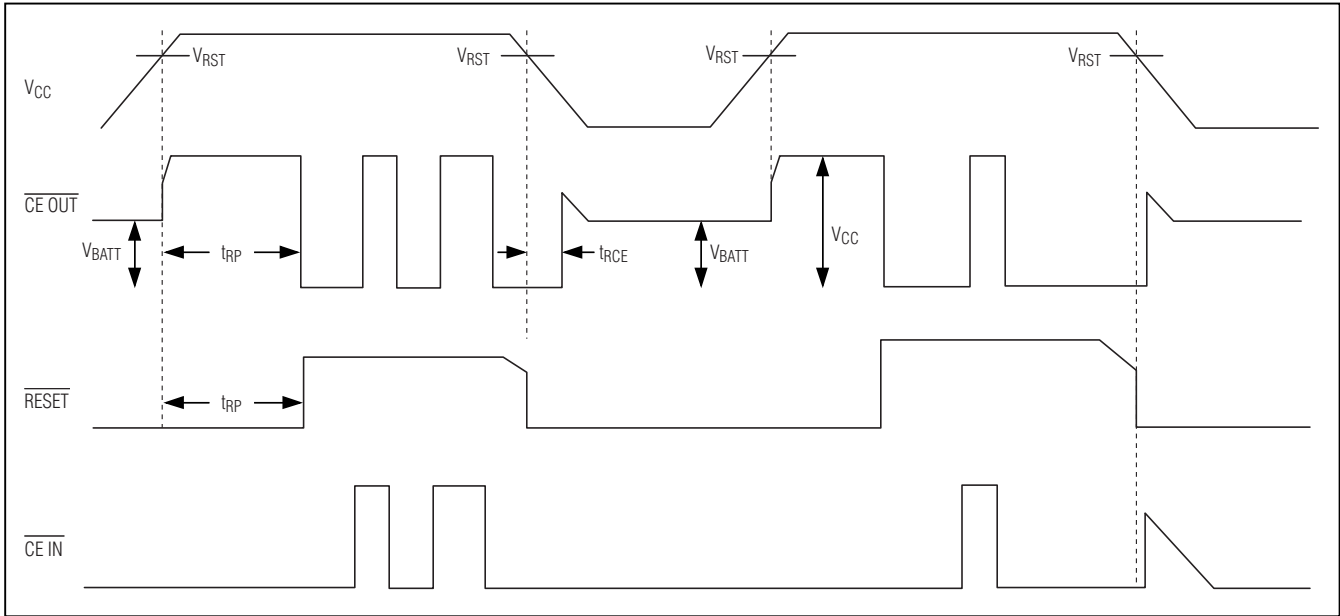


Figure 12. Chip-Enable Timing

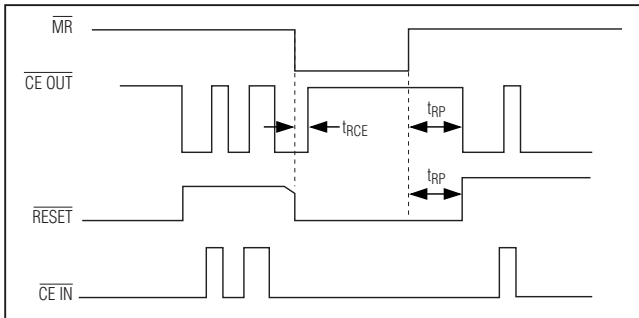


Figure 13. Chip-Enable Timing Including \overline{MR}

Power-Fail Comparator

The MAX6909/MAX6910 PFI is compared to an internal reference. If the PFI voltage is less than the power-fail threshold (V_{PFT}), PFO goes low. The power-fail comparator is intended for use as an undervoltage detector to signal a failing power supply and can monitor either positive or negative supplies using a voltage-divider to PFI (Figure 26). However, the comparator does not need to be dedicated to this function because it is completely separate from the rest of the circuitry.

Any time $V_{CC} < V_{RST}$, \overline{PFO} is forced low, regardless of the state of PFI. Any time $V_{CC} > V_{RST}$ and \overline{RESET} is active low (during the reset timeout period), \overline{PFO} is forced high, regardless of the state of PFI. If the comparator is unused, connect PFI to V_{CC} and leave \overline{PFO} floating. Figure 15 shows PFI and \overline{PFO} timing.

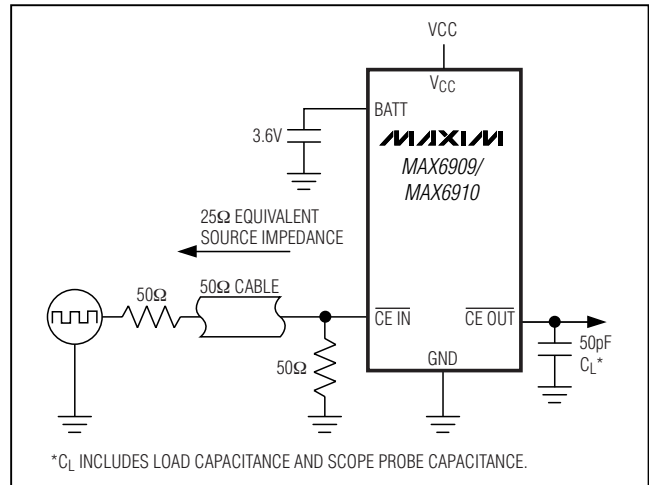


Figure 14. CE Propagation-Delay Test Circuit

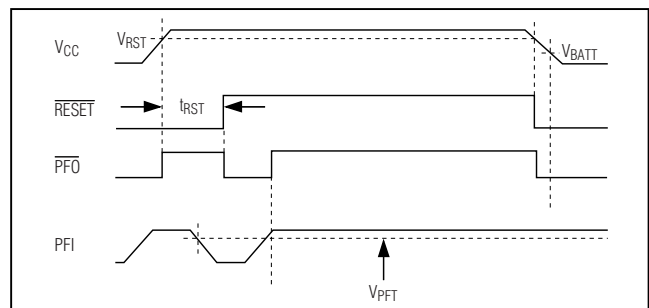


Figure 15. PFI and \overline{PFO} Timing

I²C-Compatible Real-Time Clocks with μ P Supervisor and NV RAM Controller

Piezo Transducer Output Drive

The push-pull, piezo transducer drive output, PZT, is selectable through the configuration register for frequencies of 1.024kHz, 2.048kHz, 4.096kHz, or 8.192kHz (Table 6). Bits D0 and D1 control which frequency outputs to PZT. If in battery backup mode (when V_{CC} falls below the reset threshold and below V_{BATT}), the PZT output is disabled to high impedance to prevent battery drain from the backup battery on the BATT pin.

Table 7 lists the piezo transducer control bits.

Bit D3, the PZT SEL bit, selects whether the $\overline{\text{ALM}}$, alarm output, controls when the selected PZT frequency is gated to PZT or whether control is given to the PZT CNTL bit, bit D2. If D3 = 1, then the $\overline{\text{ALM}}$ controls gating of the selected PZT frequency to PZT. When the alarm is triggered, the selected frequency stays on PZT until the alarm is cleared by writing to or reading from the alarm configuration register. If D3 = 0, then the PZT CNTL bit, D2, determines when and for how long the selected frequency appears at PZT. Bit D2, the PZT CNTL bit, controls whether the selected frequency is gated to PZT, provided D3 = 0. D2 = 1 gates the selected frequency to PZT and D2 = 0 inhibits the selected frequency (PZT remains low).

Anytime a frequency is selected to be gated through to the PZT output, it is modulated by a 1Hz square wave. The PZT output then turns on for 0.5s and off for 0.5s. Since the human ear is particularly sensitive to changes in condition, switching a sound on and off makes it more noticeable than a continuous sound of the same frequency.

The PZT output swings between V_{CC} and GND through the output stage's on-resistance, R_{OUT_PZT}. To allow flexibility of the PZT output to work with many different types of piezo buzzers, R_{OUT_PZT} is designed to be as low as practical. To minimize peak currents into the piezo buzzer, an external current-limiting resistor R_s may be required. I_{peak} is now equal to V_{CC} / (R_s + R_{OUT_PZT}). R_s can be adjusted to reduce the sound amplitude from the external piezo buzzer. The value of R_s varies for each application and should be chosen at the prototype design stage with the piezo buzzer installed in a cavity approximating its final housing. The typical value of R_{OUT_PZT} is calculated from V_{OUT} / I_{PZT}, where I_{PZT} is the average of the sink and source currents. Figure 16 is the piezo transducer functional diagram.

Table 6. Piezo Transducer Selectable Frequencies

D1 (PZT FREQ)	D0 (PZT FREQ)	PZT TYPICAL FREQUENCY (kHz)
0	0	1.024
0	1	2.048
1	0	4.096
1	1	8.19

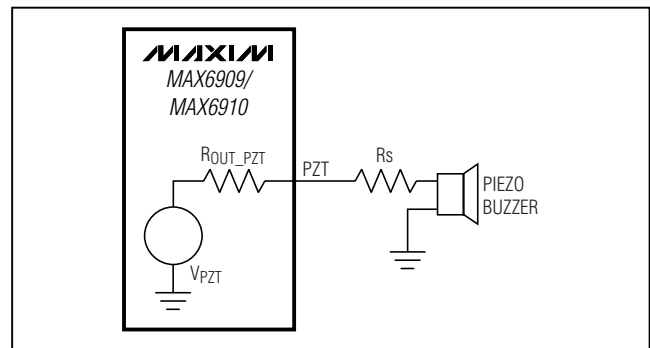


Figure 16. Piezo Transducer Functional Diagram

Table 7. Piezo Transducer Control Bits

D3 (PZT SEL)	D2 (PZT CNTL)	CONDITION	PZT
0	0	PZT CNTL bit, D2, has control	Low
0	1	PZT CNTL bit, D2, has control	Selected frequency
1	0	$\overline{\text{ALM}}$ has control, D2 is ignored; assume alarm triggered	Selected frequency
1	1	$\overline{\text{ALM}}$ has control, D2 is ignored; assume alarm cleared by reading the alarm configuration register	Low

I²C-Compatible Real-Time Clocks with μ P Supervisor and NV RAM Controller

MAX6909/MAX6910

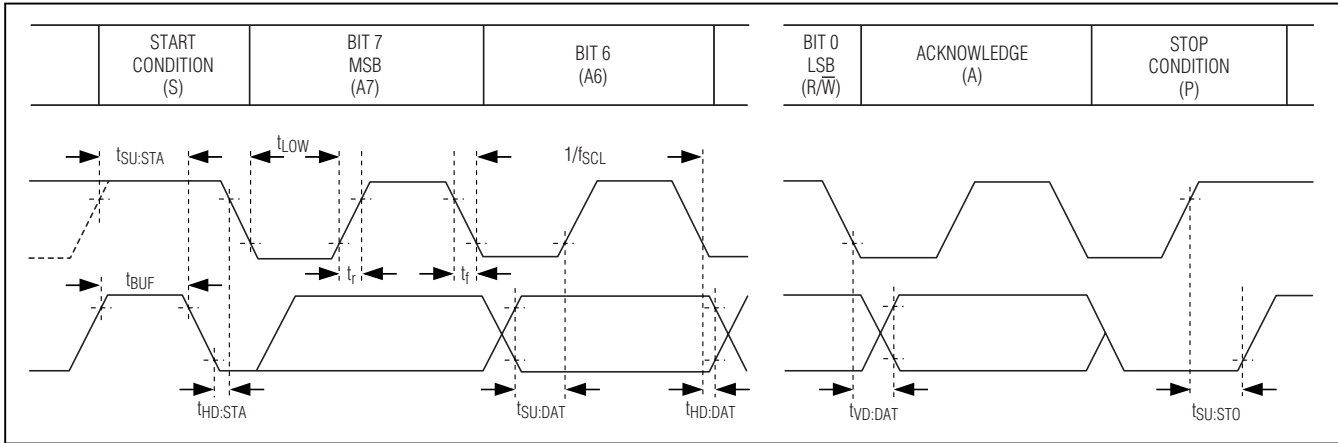


Figure 17. 2-Wire Bus Timing Diagram

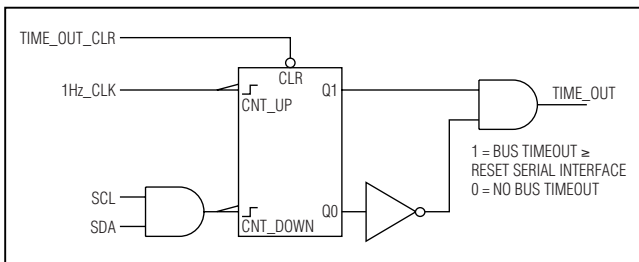


Figure 18. Timeout Simplified Functional Diagram

Crystal-Fail Output

The open-drain, crystal-fail output, $\overline{\text{CX FAIL}}$, alerts the user when the 32.768kHz crystal has failed due to a loss of 30 contiguous cycles, typical, of the 32.768kHz clock. If $\overline{\text{CX FAIL}}$ enable (D7) in the alarm configuration register is set to 1, then the crystal-fail detect circuit is enabled; if D7 = 0, the crystal-fail detect circuit is disabled.

When $\overline{\text{CX FAIL}}$, D7 in the CX status register is 1, a crystal failure has been detected and $\overline{\text{CX FAIL}}$, open-drain output, goes low. The $\overline{\text{CX FAIL}}$ output and the $\overline{\text{CX FAIL}}$ bit in the CX status register are both cleared by reading to the CX status register.

Test Configuration Register

This is a read-only register.

2-Wire Interface

The MAX6909/MAX6910 use a bidirectional 2-wire serial interface. The two lines are SDA and SCL. Both lines must be connected to a positive supply through individual pullup resistors. Data transfers can only be initiated when the bus is not busy (both SDA and SCL are high). When V_{CC} is less than V_{RST} , communication with the serial bus is terminated and inactive to prevent erro-

neous communication from the microprocessor. Figure 17 is the 2-wire bus timing diagram.

Timeout Feature

The purpose of the bus timeout is to reset the serial bus interface and change the SDA line from an output to an input, which releases the SDA line from being held low. This is necessary when the MAX6909/MAX6910 are transmitting data and become stuck at logic low. If the SDA line is stuck low, any other device on the bus is not able to communicate. The logic above, shown in Figure 18, is intended to illustrate the timeout feature. If an I²C transaction takes more than 1s (minimum timeout period), a timeout condition occurs. When a timeout condition is observed, the I²C interface resets to the IDLE state and waits for a new I²C transaction. In order to complete the 31-byte burst read/write from the RAM before an I²C timeout, the minimum SCL frequency must be 0.32kHz. A valid start condition sets Time_Out_CLR = 1 and the counting begins. A valid stop condition returns Time_Out_CLR = 0 and disables the up/down counter.

Figure 19 shows the normal 2-wire bus operation.

Figure 20 illustrates what happens when the SDA line is stuck low for two clock cycles of 1Hz_CLK during a valid bus transaction. Depending on when the actual valid bus transaction begins relative to the 1Hz CLK, the timeout period is either $t_1 = 2s$ or $t_2 = 1s$.

Bit Transfer

One data bit is transferred for each clock pulse. The data on SDA must remain stable during the high portion of the clock pulse as changes in data during this time are interpreted as control signals (Figure 21).