



Chipsmall Limited consists of a professional team with an average of over 10 year of expertise in the distribution of electronic components. Based in Hongkong, we have already established firm and mutual-benefit business relationships with customers from,Europe,America and south Asia,supplying obsolete and hard-to-find components to meet their specific needs.

With the principle of “Quality Parts,Customers Priority,Honest Operation,and Considerate Service”,our business mainly focus on the distribution of electronic components. Line cards we deal with include Microchip,ALPS,ROHM,Xilinx,Pulse,ON,Everlight and Freescale. Main products comprise IC,Modules,Potentiometer,IC Socket,Relay,Connector.Our parts cover such applications as commercial,industrial, and automotives areas.

We are looking forward to setting up business relationship with you and hope to provide you with the best service and solution. Let us make a better world for our industry!



Contact us

Tel: +86-755-8981 8866 Fax: +86-755-8427 6832

Email & Skype: info@chipsmall.com Web: www.chipsmall.com

Address: A1208, Overseas Decoration Building, #122 Zhenhua RD., Futian, Shenzhen, China





MAX7033 Evaluation Kit

Evaluates: MAX7033

General Description

The MAX7033 evaluation kit (EV kit) allows for a detailed evaluation of the MAX7033 superheterodyne receiver. It enables testing of the device's RF performance and requires no additional support circuitry. The RF input uses a 50Ω matching network and an SMA connector for convenient connection to test equipment. The EV kit can also directly interface to the user's embedded design for easy data decoding.

The MAX7033 EV kit comes in two versions: 315MHz and 433.92MHz. The passive components are optimized for these frequencies. These components can easily be changed to work at RF frequencies from 300MHz to 450MHz. In addition, the received data rate can be adjusted from 0 to 66kbps by changing three more components.

For easy implementation into the customer's design, the MAX7033 EV kit also features a proven PC board layout, which can be easily duplicated for quicker time to market. The EV kit Gerber files are available for download at www.maxim-ic.com.

Features

- ◆ Proven PC Board Layout
- ◆ Proven Components Parts List
- ◆ Multiple Test Points Provided On Board
- ◆ Available in 315MHz or 433.92MHz Optimized Versions
- ◆ Adjustable Frequency Range from 300MHz to 450MHz*
- ◆ Fully Assembled and Tested
- ◆ Can Operate as a Stand-Alone Receiver with the Addition of an Antenna

*Requires component changes.

Ordering Information

| PART | TEMP RANGE | IC PACKAGE |
|------------------|----------------|------------|
| MAX7033EVKIT-315 | -40°C to +85°C | 28 TSSOP |
| MAX7033EVKIT-433 | -40°C to +85°C | 28 TSSOP |

Component List

| DESIGNATION | QTY | DESCRIPTION |
|-------------|-----|---------------------------------------------------------------------------|
| C1, C2, C23 | 2 | 0.01μF ±10% ceramic capacitors (0603) Murata GRM188R71H103KA01 |
| C3 | 1 | 1500pF ±10%, 50V X7R ceramic capacitor (0603) Murata GRM188R71H152KA01 |
| C4 | 1 | 0.47μF 80% to 20% ceramic capacitor (0603) Murata GRM188F51C474ZA01 |
| C5 | 1 | 470pF ±5% ceramic capacitor (0603) Murata GRM1885C1H471JA01 |
| C6, C10 | 2 | 220pF ±5% ceramic capacitors (0603) Murata GRM1885C1H221JA01 |
| C7, C8, C11 | 3 | 100pF ±5% ceramic capacitors (0603) Murata GRM1885C1H101JA01 |
| C9 (315MHz) | 1 | 4.0pF ±0.1pF ceramic capacitor (0603) Murata GRM1885C1H4R0BZ01 |
| C9 (433MHz) | 1 | 2.2pF ±0.1pF ceramic capacitor (0603) Murata GRM1885C1H2R2BD01 |

| DESIGNATION | QTY | DESCRIPTION |
|--------------------|-----|---------------------------------------------------------------------------------------|
| C12, C20, C24 | 2 | 0.1μF ±5% ceramic capacitors (0603) Murata GRM188R71C104KA01 |
| C13, C16, C18, C19 | 0 | Not installed |
| C14, C15 | 2 | 15pF ±5%, 50V ceramic capacitors (0603) Murata GRM1885C1H150JZ01 |
| C17 | 0 | Not installed, 0.01μF 80% to 20% ceramic capacitor (0603) Murata GRM188R71H103KA01 |
| C21 | 1 | 10pF ±5%, 50V ceramic capacitor (0603) Murata GRM1885C1H100JZ01 |
| C22 | 1 | 1000pF ±10%, 50V X7R ceramic capacitor (0603) Murata GRM188R71H102KA01 |
| F_IN | 0 | Not installed, SMA connector, edge mount Johnson 142-0701-801 |
| JU1, JU2, JU5, JU6 | 4 | 3-pin headers Digi-Key S1012-36-ND or equivalent |

MAX7033 Evaluation Kit

Component List (continued)

| DESIGNATION | QTY | DESCRIPTION |
|----------------|-----|-------------------------------------------------------------------------------------|
| JU3, JU4 | 0 | Not installed |
| JU7 | 1 | 2-pin header |
| JU8 | 1 | Shorted |
| L1 (315MHz) | 1 | 27nH \pm 5% inductor (0603) Coilcraft 0603CS-27NXJB |
| L1 (433MHz) | 1 | 15nH \pm 5% inductor (0603) Coilcraft 0603CS-15NXJB |
| L2 (315MHz) | 1 | 120nH \pm 5% inductor (0603) Coilcraft 0603CS-R12XJB |
| L2 (433MHz) | 1 | 56nH \pm 5% inductor (0603) Coilcraft 0603CS-56NXJB |
| L3 | 1 | 15nH \pm 5% inductor (0603) Murata LQG18HN15NJ00 |
| MIX_OUT | 0 | Not installed, SMA connector, top mount Digi-Key J500-ND Johnson 142-0701-201 |
| R1 | 1 | 5.1k Ω resistor (0603), any |
| R2, R4, R6 | 0 | Not installed, resistors (0603) |
| R3 | 0 | Not installed, 270 Ω resistor (0603) any |
| R5 | 1 | 10k Ω resistor (0603), any |

| DESIGNATION | QTY | DESCRIPTION |
|-----------------------------------------------------------------|-----|----------------------------------------------------------------------------------------|
| R7 | 1 | 0 Ω resistor (0603) |
| R8 | 1 | 10k Ω resistor (0603), any |
| RF_IN | 1 | SMA connector, top mount Digi-Key J500-ND Johnson 142-0701-201 |
| TP2, TP4–TP12 | 0 | Not installed |
| VDD, GND, $\overline{\text{SHDN}}$, AGC_C, DATA_OUT, TP3 | 6 | Test points Mouser 151-203 or equivalent |
| Y1 (315MHz) | 1 | 4.754687MHz crystal Hong Kong Crystals SSL4754687E03FAFZ8A0 or Crystek 016867 |
| Y1 (433MHz) | 1 | 6.6128MHz crystal Hong Kong Crystals SSL6612813E03FAFZ8A0 or Crystek 016868 |
| Y2 | 1 | 10.7MHz ceramic filter Murata SFTLA10M7FA00-B0 |
| U1 | 1 | MAX7033EUI |
| — | 1 | MAX7033 EV kit PC board |
| — | 5 | Shunts (JU1) Digi-Key S9000-ND or equivalent |

Quick Start

The following procedures allow for proper device evaluation.

Required Test Equipment

- Regulated power supply capable of providing +3.3V
- RF signal generator capable of delivering from -120dBm to 0dBm of output power at the operating frequency, in addition to AM or pulse-modulation capabilities (Agilent E4420B or equivalent)
- Optional ammeter for measuring supply current
- Oscilloscope

Connections and Setup

This section provides a step-by-step guide to operating the EV kit and testing the device's functionality. **Do not turn on the DC power or RF signal generator until all connections are made:**

- 1) Connect a DC supply set to +3.3V (through an ammeter if desired) to the VDD and GND terminals on the EV kit. Do not turn on the supply.

- 2) Connect the RF signal generator to the RF_IN SMA connector. Do not turn on the generator output. Set the generator for an output frequency of 315MHz (or 433.92MHz) at a power level of -100dBm. Set the modulation of the generator to provide a 2kHz, 100%, AM-modulated square wave (or a 2kHz pulse-modulated signal).
- 3) Connect the oscilloscope to test point TP3.
- 4) Turn on the DC supply. The supply current should read approximately 5mA.
- 5) Activate the RF generator's output without modulation. The scope should display a DC voltage that varies from approximately 1.2V to 2.0V as the RF generator amplitude is changed from -115dBm to 0dBm. (**Note:** At an amplitude of around -60dBm, this DC voltage drops suddenly to approximately 1.5V and then starts rising again with increasing input amplitude. This is normal; the AGC is turning on the LNA gain-reduction resistor.)
- 6) Set the RF generator to -100dBm. Activate the RF generator's modulation and set the scope's cou-

MAX7033 Evaluation Kit

Component Suppliers

| SUPPLIER | PHONE | FAX |
|-------------------|---------------|---------------|
| Coilcraft | 800-322-2645 | 847-639-1469 |
| Crystek | 800-237-3061 | 941-561-1025 |
| Hong Kong Crystal | 852-2412 0121 | 852-2498 5908 |
| Murata | 800-831-9172 | 814-238-0490 |

Note: Indicate that you are using the MAX7033 when contacting these component suppliers.

pling to AC. The scope now displays a lowpass-filtered square wave at TP3 (filtered analog baseband data). Use the RF generator's LF OUTPUT (modulation output) to trigger the oscilloscope.

- Monitor the DATA_OUT terminal and verify the presence of a 2kHz square wave.

Additional Evaluation

- With the modulation still set to AM, observe the effect of reducing the RF generator's amplitude on the DATA_OUT terminal output. The error in this sliced digital signal increases with reduced RF signal level. The sensitivity is usually defined as the point at which the error in interpreting the data (by the following embedded circuitry) increases beyond a set limit (BER test).
- With the above settings, a 315MHz-tuned EV kit should display a sensitivity of about -114dBm (0.2% BER) while a 433.92MHz kit displays a sensitivity of about -112dBm (0.2% BER). **Note:** The above sensitivity values are given in terms of average.
- Capacitors C5 and C6 are used to set the corner frequency of the 2nd-order lowpass Sallen-Key data filter. The current values were selected for bit rates up to 3kbps. Adjusting these values accommodates higher data rates (refer to the MAX7033 data sheet for more details).

Layout Issues

A properly designed PC board is an essential part of any RF/microwave circuit. On high-frequency inputs and outputs, use controlled-impedance lines and keep them as short as possible to minimize losses and radiation. At high frequencies, trace lengths that are on the order of $\lambda/10$ or longer can act as antennas.

Keeping the traces short also reduces parasitic inductance. Generally, 1in of a PC board trace adds about 20nH of parasitic inductance. The parasitic inductance can have a dramatic effect on the effective inductance. For example, a 0.5in trace connecting a 100nH inductor adds an extra 10nH of inductance or 10%.

To reduce the parasitic inductance, use wider traces and a solid ground or power plane below the signal traces. Also, use low-inductance connections to ground on all GND pins, and place decoupling capacitors close to all VDD connections.

The EV kit PC board can serve as a reference design for laying out a board using the MAX7033. All required components have been enclosed in 1.25in x 1.25in², which can be directly "inserted" in the application circuit.

Detailed Description

Power-Down Control

The MAX7033 can be controlled externally using the SHDN connector. The IC draws approximately 2.5 μ A in shutdown mode. Jumper JU1 is used to control this mode. The shunt can be placed between pins 2 and 3 for continuous shutdown, or pins 1 and 2 for continuous operation. Remove JU1 shunt for external control. See Table 1 for the jumper function descriptions.

Table 1. Jumper Function

| JUMPER | STATE | FUNCTION |
|--------|-------|-----------------------------------------|
| JU1 | 1-2 | Normal operation |
| | 2-3 | Power-down mode |
| | N.C. | External power-down control |
| JU2 | 1-2 | Crystal divide ratio = 32 |
| | 2-3 | Crystal divide ratio = 64 |
| JU3 | 1-2 | Mixer output to MIX_OUT |
| | 2-3 | External IF input |
| | N.C. | Normal operation |
| JU4 | 1-2 | Uses PDOUT for faster receiver startup |
| | 2-3 | GND connection for peak detector filter |
| JU5 | 1-2 | Disable AGC |
| | 2-3 | Enable AGC |
| | N.C. | External control of AGC lock function |
| JU6 | 1-2 | IR centered at 433MHz |
| | 2-3 | IR centered at 315MHz |
| | N.C. | IR centered at 375MHz |
| JU7 | 1-2 | Connect VDD to +3.3V supply |
| | N.C. | Connect VDD to +5.0V supply |

MAX7033 Evaluation Kit

Power Supply

The MAX7033 can operate from 3.3V or 5V supplies. For 5V operation, remove JU7 before connecting the supply to VDD. For 3.3V operation, connect JU7.

IF Input/Output

The 10.7MHz IF can be monitored with the help of a spectrum analyzer using the MIX_OUT SMA (not provided). Remove the ceramic filter for such a measurement and include R3 (270 Ω) and C17 (0.01 μ F) to match the 330 Ω mixer output with the 50 Ω spectrum analyzer. Jumper JU3 needs to connect pins 1 and 2. It is also possible to use the MIX_OUT SMA to inject an external IF as a means of evaluating the baseband data slicing section. Jumper JU3 needs to connect pins 2 and 3.

F_IN External Frequency Input

For applications where the correct frequency crystal is not available, it is possible to directly inject an external frequency through the F_IN SMA (not provided). Connect the SMA to a function generator. The addition of C18 and C19 is necessary (use 0.01 μ F capacitors).

AGC Control

Jumper JU5 controls whether the AGC is enabled. Connect pins 2 and 3 to enable the AGC. In addition, by removing the jumper, the AGC setting can be locked or unlocked by transitioning the AC pin while the SHDN pin is high.

Crystal Select

Jumper JU2 controls the crystal-divide ratio. Connecting pins 1 and 2 sets the divide ratio to 32, while connecting pins 2 and 3 sets the ratio to 64. This determines the frequency of the crystal to be used.

Image-Rejection Frequency Select

A unique feature of the MAX7033 is its ability to vary at which frequency the image rejection is optimized. JU6 allows the selection of three possible frequencies: 315MHz, 375MHz, and 433.92MHz. See Table 1 for settings.

Test Points and I/O Connections

Additional test points and I/O connectors are provided to monitor the various baseband signals and for external connections. See Tables 2 and 3 for a description.

For additional information and a list of application notes, visit www.maxim-ic.com.

Table 2. Test Points

| TP | DESCRIPTION |
|----|----------------------------|
| 2 | Data slicer negative input |
| 3 | Data filter output |
| 4 | Peak detector out |
| 5 | +3.3V |
| 6 | GND |
| 7 | Data filter feedback node |
| 8 | Data out |
| 9 | Power-down select input |
| 10 | VDD |
| 11 | AGC control |
| 12 | Crystal select |

Table 3. I/O Connectors

| SIGNAL | DESCRIPTION |
|----------|------------------------------------|
| RF_IN | RF input |
| F_IN | External reference frequency input |
| MIX_OUT | IF input/output |
| GND | Ground |
| VDD | Supply input |
| DATA_OUT | Sliced data output |
| SHDN | External power-down control |
| AGC_C | AGC control |

MAX7033 Evaluation Kit

Evaluates: MAX7033

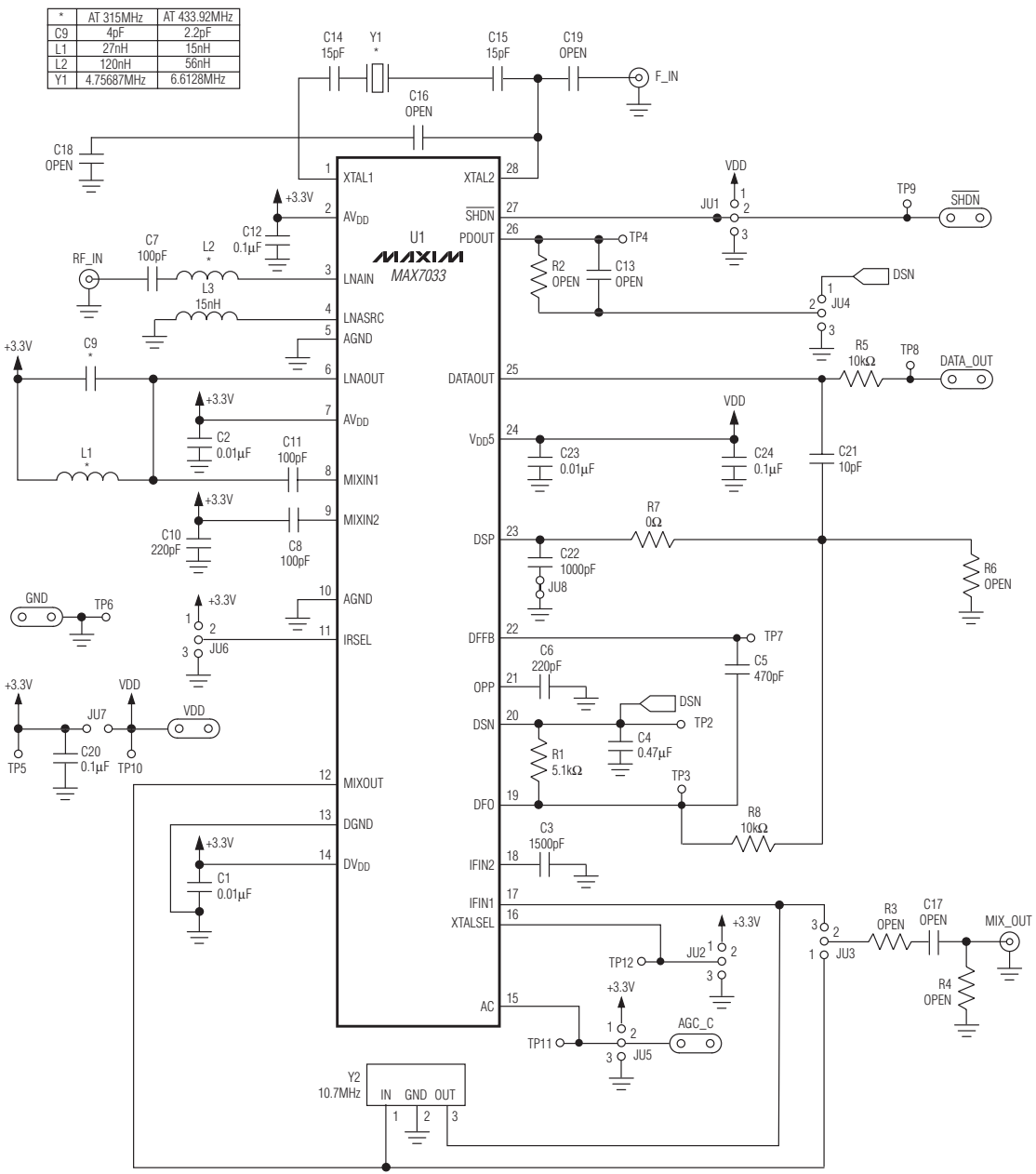


Figure 1. MAX7033 EV Kit Schematic

MAX7033 Evaluation Kit

Evaluates: MAX7033

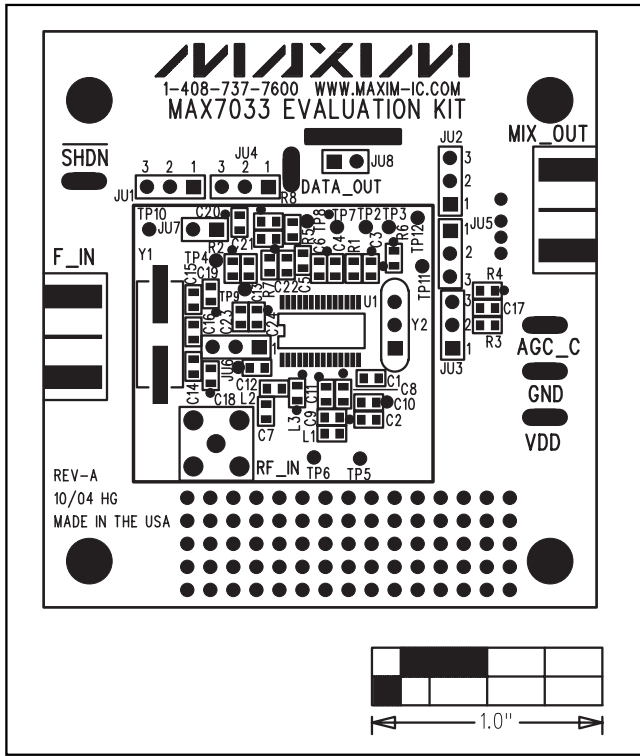


Figure 2. MAX7033 EV Kit Component Placement Guide—Component Side

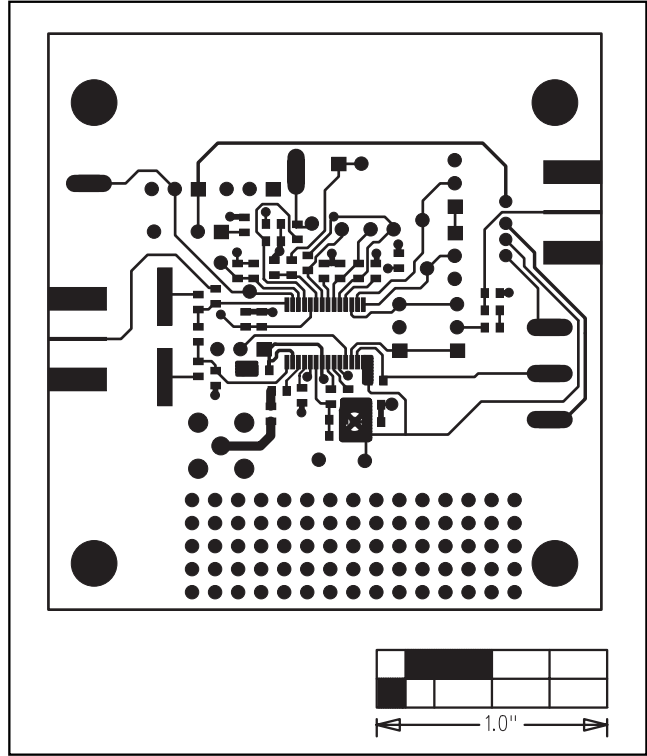


Figure 3. MAX7033 EV Kit PC Board Layout—Component Side

MAX7033 Evaluation Kit

Evaluates: MAX7033

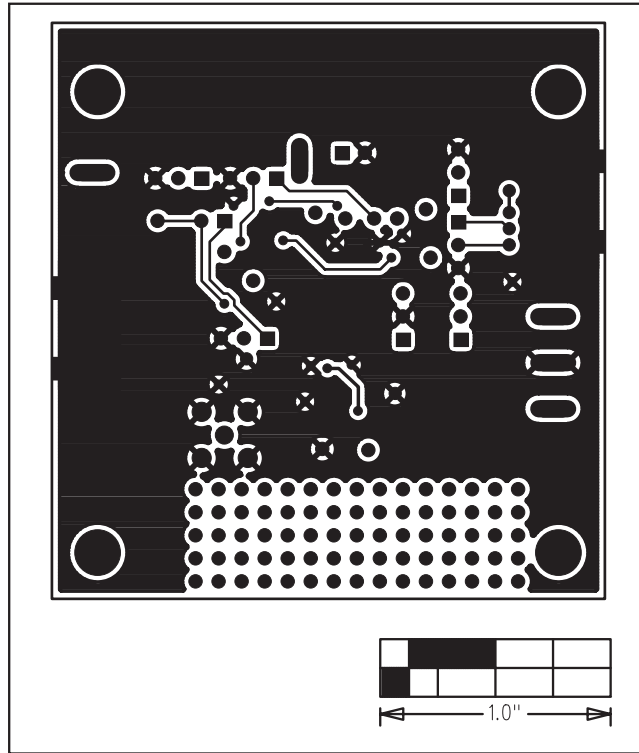


Figure 4. MAX7033 EV Kit PC Board Layout—Solder Side

Maxim cannot assume responsibility for use of any circuitry other than circuitry entirely embodied in a Maxim product. No circuit patent licenses are implied. Maxim reserves the right to change the circuitry and specifications without notice at any time.

Maxim Integrated Products, 120 San Gabriel Drive, Sunnyvale, CA 94086 408-737-7600 _____ 7