



Chipsmall Limited consists of a professional team with an average of over 10 year of expertise in the distribution of electronic components. Based in Hongkong, we have already established firm and mutual-benefit business relationships with customers from,Europe,America and south Asia,supplying obsolete and hard-to-find components to meet their specific needs.

With the principle of “Quality Parts,Customers Priority,Honest Operation,and Considerate Service”,our business mainly focus on the distribution of electronic components. Line cards we deal with include Microchip,ALPS,ROHM,Xilinx,Pulse,ON,Everlight and Freescale. Main products comprise IC,Modules,Potentiometer,IC Socket,Relay,Connector.Our parts cover such applications as commercial,industrial, and automotives areas.

We are looking forward to setting up business relationship with you and hope to provide you with the best service and solution. Let us make a better world for our industry!



Contact us

Tel: +86-755-8981 8866 Fax: +86-755-8427 6832

Email & Skype: info@chipsmall.com Web: www.chipsmall.com

Address: A1208, Overseas Decoration Building, #122 Zhenhua RD., Futian, Shenzhen, China



MAX9140/MAX9141/ MAX9142/MAX9144

40ns, Low-Power, 3V/5V, Rail-to-Rail Single-Supply Comparators

General Description

The MAX9140/MAX9141 are single and the MAX9142/MAX9144 are dual/quad high-speed comparators optimized for systems powered from a 3V or 5V supply. The MAX9141 features latch enable and device shutdown. These devices combine high speed, low power, and rail-to-rail inputs. Propagation delay is 40ns, while supply current is only 150µA per comparator.

The input common-mode range of the devices extends beyond both power-supply rails. The outputs pull to within 0.3V of either supply rail without external pullup circuitry, making these devices ideal for interface with both CMOS and TTL logic. All input and output pins can tolerate a continuous short-circuit fault condition to either rail. Internal hysteresis ensures clean output switching, even with slow-moving input signals.

The devices are higher-speed, lower-power, and lower-cost upgrades to industry-standard comparators MAX941/MAX942/MAX944.

The MAX9140 are offered in tiny 5-pin SC70 and SOT23 packages. The MAX9141 and MAX9142 are available in 8-pin SOT23 and SO packages, while the MAX9144 is available in both 14-pin SO and TSSOP packages.

Applications

- Line Receivers
- Battery-Powered Systems
- Threshold Detectors/Discriminators
- 3V/5V Systems
- Zero-Crossing Detectors
- Sampling Circuits

Features

- Fast, 40ns Propagation Delay (10mV Overdrive)
- Low Power
 - 150µA Supply Current Per Comparator (3V)
- Optimized for 3V and 5V Applications
- Rail-to-Rail Input Voltage Range
- Low, 500µV Offset Voltage
- Internal Hysteresis for Clean Switching
- Outputs Swing 300mV of Power Rails
- CMOS/TTL-Compatible Outputs
- Output Latch (MAX9141 Only)
- Shutdown Function (MAX9141 Only)
- Available in SC70 and SOT23 Packages

Ordering Information

| PART* | PIN-PACKAGE | TOP MARK |
|---------------|-------------|----------|
| MAX9140AAUK+T | 5 SOT23 | +AFEJ |
| MAX9140AAXK+T | 5 SC70 | +ASW |
| MAX9140EXK-T | 5 SC70 | ACC |
| MAX9140EUK-T | 5 SOT23 | ADQP |
| MAX9141EKA-T | 8 SOT23 | AAFD |
| MAX9141ESA | 8 SO | — |
| MAX9142EKA-T | 8 SOT23 | AAFE |
| MAX9142ESA | 8 SO | — |
| MAX9144EUD | 14 TSSOP | — |
| MAX9144ESD | 14 SO | — |

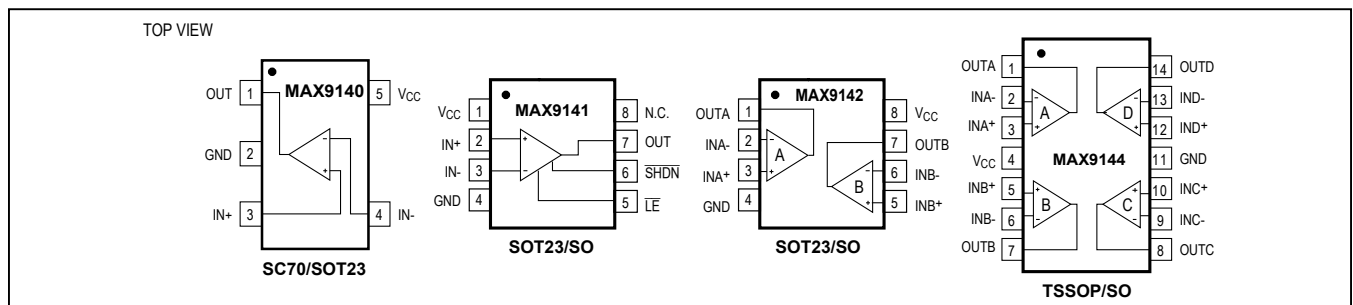
Note: All E-grade devices are specified over the -40°C to +85°C operating temperature range. All A-grade devices are specified over the -40°C to +125°C operating temperature range.

+Denotes a lead(Pb)-free/RoHS-compliant package.

-Denotes a package containing lead(Pb).

T = Tape and reel.

Pin Configurations



Absolute Maximum Ratings

Power-Supply Ranges

| | |
|---|------------------------------|
| Supply Voltage (V_{CC} to GND) | +6V |
| IN+, IN- to GND | -0.3V to ($V_{CC} + 0.3V$) |
| \overline{LE} Input Voltage (MAX9141 only) | -0.3V to ($V_{CC} + 0.3V$) |
| \overline{SHDN} Input Voltage (MAX9141 only) .. | -0.3V to ($V_{CC} + 0.3V$) |
| Current into Input Pins | $\pm 20mA$ |
| Input/Output Short-Circuit Duration to V_{CC} or GND | Continuous |
| Continuous Power Dissipation ($T_A = +70^\circ C$) | |
| 5-Pin SC70 (derate 3.1mW/ $^\circ C$ above $+70^\circ C$) | 247mW |
| 5-Pin SOT23 (derate 7.1mW/ $^\circ C$ above $+70^\circ C$) | 571mW |

| | |
|--|---------------------------------|
| 8-Pin SOT23 (derate 9.1mW/ $^\circ C$ above $+70^\circ C$) | 727mW |
| 8-Pin SO (derate 5.9mW/ $^\circ C$ above $+70^\circ C$) | 470.6mW |
| 14-Pin TSSOP (derate 9.1mW/ $^\circ C$ above $+70^\circ C$) | 727mW |
| 14-Pin SO (derate 8.33mW/ $^\circ C$ above $+70^\circ C$) | 666.7mW |
| Operating Temperature Range | |
| E grade | $-40^\circ C$ to $+85^\circ C$ |
| A grade | $-40^\circ C$ to $+125^\circ C$ |
| Junction Temperature | $+150^\circ C$ |
| Storage Temperature Range | $-65^\circ C$ to $+150^\circ C$ |
| Lead Temperature (soldering, 10s) | $+300^\circ C$ |

Stresses beyond those listed under "Absolute Maximum Ratings" may cause permanent damage to the device. These are stress ratings only, and functional operation of the device at these or any other conditions beyond those indicated in the operational sections of the specifications is not implied. Exposure to absolute maximum rating conditions for extended periods may affect device reliability.

Electrical Characteristics

($V_{CC} = 5V$, $V_{CM} = 0V$, $\overline{SHDN} = \overline{LE} = V_{CC}$ (MAX9141 only), $C_L = 15pF$, $T_A = T_{MIN}$ to T_{MAX} , unless otherwise noted. Typical values are at $T_A = +25^\circ C$.) (Note 1)

| PARAMETER | SYMBOL | CONDITIONS | | MIN | TYP | MAX | UNITS |
|------------------------------|------------|------------------------------|---|------|------------------|-----------------|-----------|
| Operating Supply Voltage | V_{CC} | (Note 2) | | 2.7 | | 5.5 | V |
| Input Voltage Range | V_{CMR} | (Note 3) | | -0.2 | | $V_{CC} + 0.2$ | V |
| Input Offset Voltage | V_{OS} | (Note 4) | $T_A = +25^\circ C$ | | 0.5 | 2.0 | mV |
| | | | $T_A = -40^\circ C$ to $+85^\circ C$ | | | 4.5 | |
| | | | MAX9140AA_ _ | | | 6.0 | |
| Input Hysteresis | V_{HYST} | (Note 5) | | | 1.5 | | mV |
| Input Bias Current | I_B | (Note 6) | $T_A = -40^\circ C$ to $+85^\circ C$ | | 90 | 320 | nA |
| | | | MAX9140AA_ _ | | | 350 | |
| Input Offset Current | I_{OS} | | $T_A = -40^\circ C$ to $+85^\circ C$ | | 8 | 120 | nA |
| | | | MAX9140AA_ _ | | | 140 | |
| Common-Mode Rejection Ratio | CMRR | $V_{CC} = 5.5V$ (Note 7) | $T_A = -40^\circ C$ to $+85^\circ C$ | | 80 | 800 | $\mu V/V$ |
| | | | MAX9140AA_ _ | | | 850 | |
| Power-Supply Rejection Ratio | PSRR | $2.7V \leq V_{CC} \leq 5.5V$ | $T_A = -40^\circ C$ to $+85^\circ C$ | | 80 | 750 | $\mu V/V$ |
| | | | MAX9140AA_ _ | | | 800 | |
| Output High Voltage | V_{OH} | $I_{SOURCE} = 4mA$ | $T_A = -40^\circ C$ to $+85^\circ C$ | | $V_{CC} - 0.425$ | $V_{CC} - 0.3$ | V |
| | | | MAX9140AA_ _ | | | $V_{CC} - 0.47$ | |
| Output Low Voltage | V_{OL} | $I_{SINK} = 4mA$ | $T_A = -40^\circ C$ to $+85^\circ C$ | | 0.3 | 0.425 | V |
| | | | MAX9140AA_ _ | | | 0.45 | |
| Output Leakage Current | I_{LEAK} | | $\overline{SHDN} = GND$, MAX9141 only (Note 8) | | 0.04 | 1 | μA |

Electrical Characteristics (continued)

($V_{CC} = 5V$, $V_{CM} = 0V$, $\overline{SHDN} = \overline{LE} = V_{CC}$ (MAX9141 only), $C_L = 15pF$, $T_A = T_{MIN}$ to T_{MAX} , unless otherwise noted. Typical values are at $T_A = +25^\circ C$.) (Note 1)

| PARAMETER | SYMBOL | CONDITIONS | MIN | TYP | MAX | UNITS |
|---------------------------------|--------------------------|---|---|------------|--------------------|---------|
| Supply Current (Per Comparator) | I_{CC} | $V_{CM} = V_{CC} = 3V$ | MAX9141 | 165 | 275 | μA |
| | | | MAX9140, $T_A = -40^\circ C$ to $85^\circ C$ | 150 | 250 | |
| | | | MAX9140AA_ _ | | 360 | |
| | | | MAX9142/MAX9144 | 150 | 250 | |
| | | $V_{CM} = V_{CC} = 5V$ | MAX9141 | 200 | 320 | |
| | | | MAX9140, $T_A = -40^\circ C$ to $85^\circ C$ | 165 | 300 | |
| | | | MAX9140AA_ _ | | 400 | |
| | | | MAX9142/MAX9144 | 165 | 300 | |
| | | MAX9141 only, $\overline{SHDN} = GND$; $V_{CC} = V_{CM} = 3V$ | 12 | 30 | | |
| Propagation Delay | t_{PD+} , t_{PD-} | $V_{CC} = 3V$, $V_{OD} = 10mV$ | | 40 | | ns |
| Differential Propagation Delay | dt_{PD} | $V_{OD} = 10mV$ (Note 9) | | 2 | | ns |
| Propagation Delay Skew | | $V_{OD} = 10mV$ (Note 10) | | 2 | | ns |
| Logic Input-Voltage High | V_{IH} | (Note 11) | $(V_{CC}/2) + 0.4$ | $V_{CC}/2$ | | V |
| Logic Input-Voltage Low | V_{IL} | (Note 11) | | $V_{CC}/2$ | $(V_{CC}/2) - 0.4$ | V |
| Logic Input Current | I_{IL} , I_{IH} | $V_{LOGIC} = 0$ to V_{CC} (Note 11) | | 2 | 10 | μA |
| Data-to-Latch Setup Time | t_S | (Note 12) | | 16 | | ns |
| Latch-to-Data Hold Time | t_H | (Note 12) | | 16 | | ns |
| Latch Pulse Width | t_{LPW} | (Note 12) | | 45 | | ns |
| Latch Propagation Delay | t_{LPD} | (Note 12) | | 60 | | ns |
| Shutdown Enable Time | | (Note 13) | | 1 | | μs |
| Shutdown Disable Time | | (Note 13) | | 5 | | μs |

Note 1: All devices are 100% production tested at $T_A = +25^\circ C$. Specifications over temperature are guaranteed by design.

Note 2: Inferred from PSRR test.

Note 3: Inferred from CMRR test. Note also that either or both inputs can be driven to the absolute maximum limit (0.3V beyond either supply rail) without damage or false output inversion.

Note 4: V_{OS} is defined as the center of the input-referred hysteresis zone. See Figure 1.

Note 5: The input-referred trip points are the extremities of the differential input voltage required to make the comparator output change state. The difference between the upper and lower trip points is equal to the width of the input-referred hysteresis zone. See Figure 1.

Note 6: The polarity of I_B reverses direction as V_{CM} approaches either supply rail.

Note 7: Specified over the full common-mode voltage range (V_{CMR}).

Note 8: Specification is for current flowing into or out of the output pin for V_{OUT} driven to any voltage from V_{CC} to GND while the part is in shutdown.

Note 9: Specified between any two channels in the MAX9142/MAX9144.

Note 10: Specified as the difference between t_{PD+} and t_{PD-} for any one comparator.

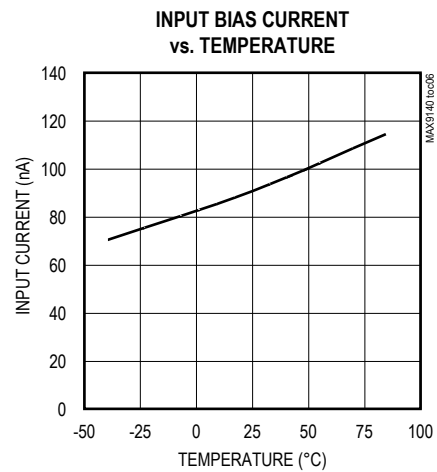
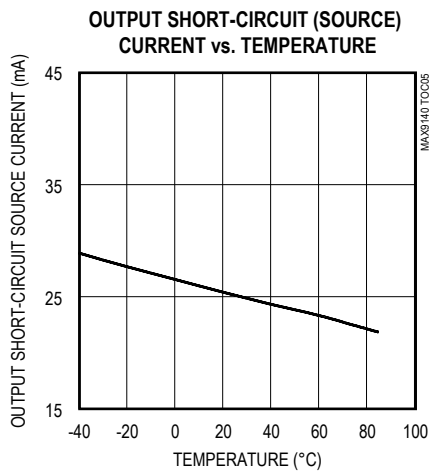
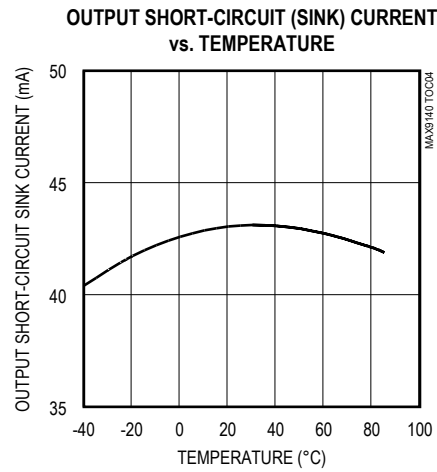
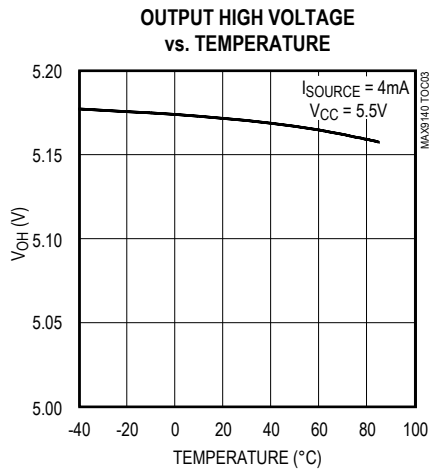
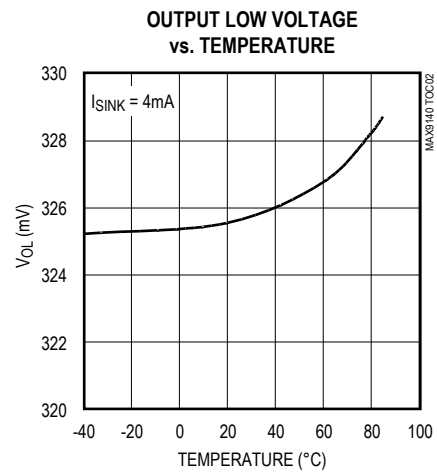
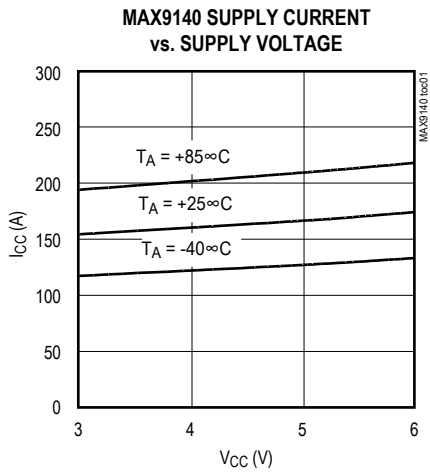
Note 11: Applies to the MAX9141 only for both \overline{SHDN} and \overline{LE} .

Note 12: Applies to the MAX9141 only. Comparator is active with \overline{LE} driven high and is latched with \overline{LE} driven low ($V_{OD} = 10mV$). See Figure 2.

Note 13: Applicable to the MAX9141 only. Comparator is active with the \overline{SHDN} driven high and is shutdown with \overline{SHDN} driven low. Shutdown enable time is the delay when the \overline{SHDN} is driven high to the time the output is valid. Shutdown disable time is the delay when the \overline{SHDN} is driven low to the time the comparator shuts down.

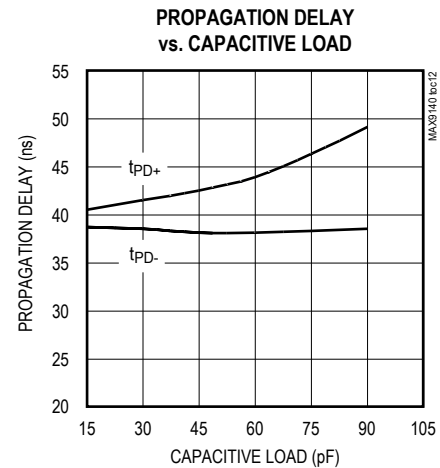
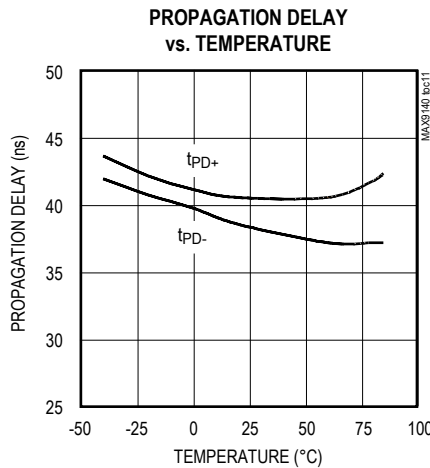
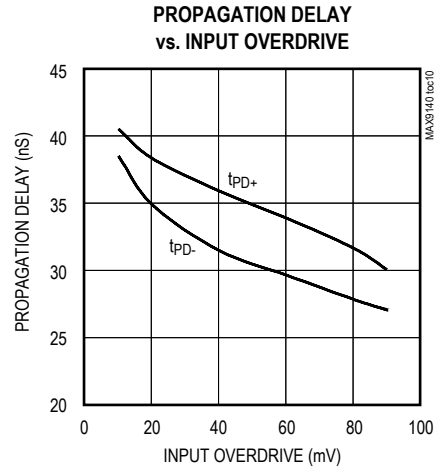
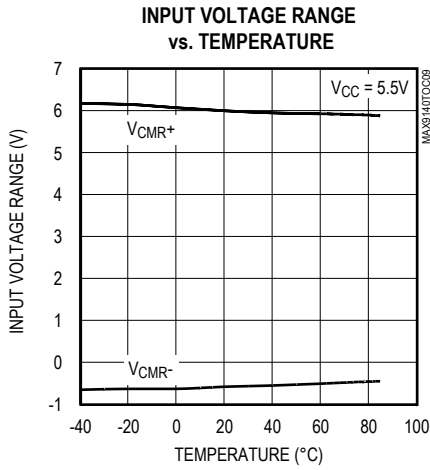
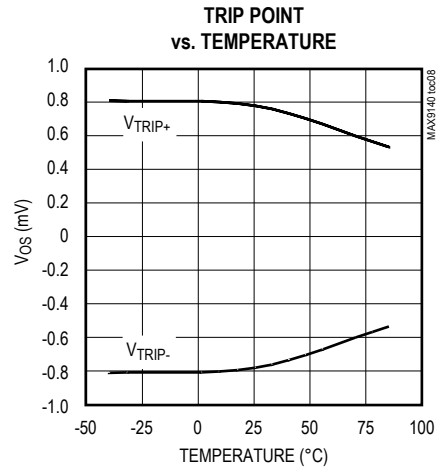
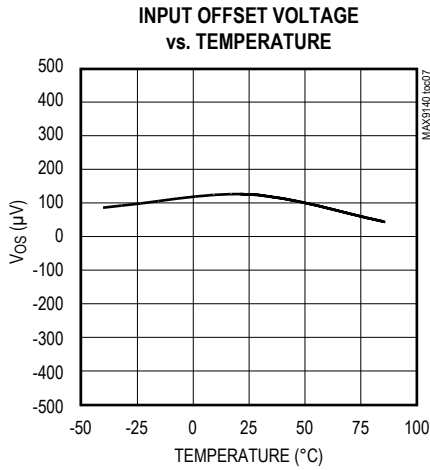
Typical Operating Characteristics

($V_{CC} = 3.0V$, $V_{CM} = 0V$, $C_L = 15pF$, $V_{OD} = 10mV$, $T_A = +25^\circ C$, unless otherwise noted.)



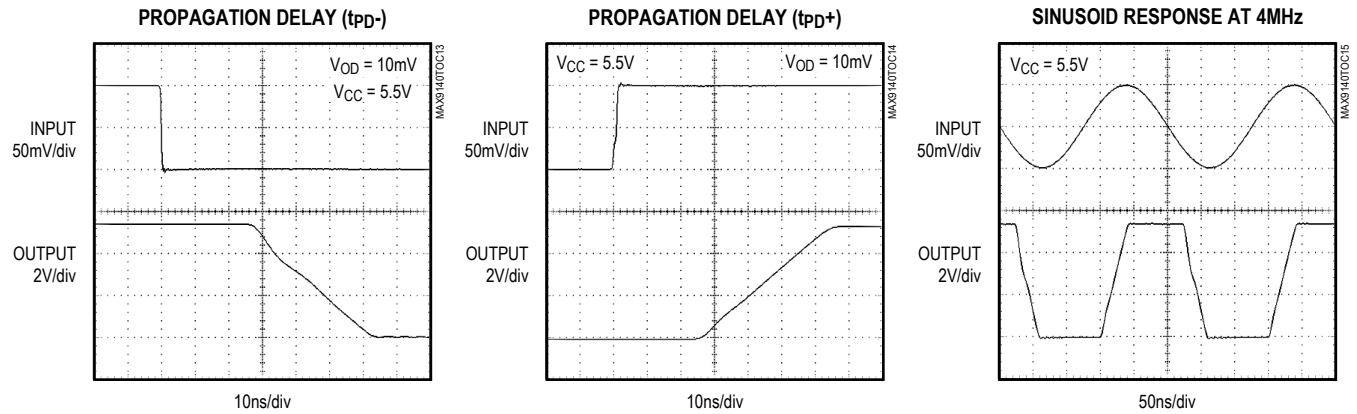
Typical Operating Characteristics (continued)

($V_{CC} = 3.0V$, $V_{CM} = 0V$, $C_L = 15pF$, $V_{OD} = 10mV$, $T_A = +25^\circ C$, unless otherwise noted.)



Typical Operating Characteristics (continued)

($V_{CC} = 3.0V$, $V_{CM} = 0V$, $C_L = 15pF$, $V_{OD} = 10mV$, $T_A = +25^\circ C$, unless otherwise noted.)



Pin Description

| PIN | | | | NAME | FUNCTION |
|---------|---------|---------|---------|-------------------|---|
| MAX9140 | MAX9141 | MAX9142 | MAX9144 | | |
| — | — | 1 | 1 | OUTA | Comparator A Output |
| — | — | 2 | 2 | INA- | Comparator A Inverting Input |
| — | — | 3 | 3 | INA+ | Comparator A Noninverting Input |
| 5 | 1 | 8 | 4 | V_{CC} | Positive Supply |
| — | — | 5 | 5 | INB+ | Comparator B Noninverting Input |
| — | — | 6 | 6 | INB- | Comparator B Inverting Input |
| — | — | 7 | 7 | OUTB | Comparator B Output |
| — | — | — | 8 | OUTC | Comparator C Output |
| — | — | — | 9 | INC- | Comparator C Inverting Input |
| — | — | — | 10 | INC+ | Comparator C Noninverting Input |
| 2 | 4 | 4 | 11 | GND | Ground |
| — | — | — | 12 | IND+ | Comparator D Noninverting Input |
| — | — | — | 13 | IND- | Comparator D Inverting Input |
| — | — | — | 14 | OUTD | Comparator D Output |
| 3 | 2 | — | — | IN+ | Noninverting Input |
| 4 | 3 | — | — | IN- | Inverting Input |
| — | 6 | — | — | \overline{SHDN} | Shutdown: MAX9141 is active when \overline{SHDN} is driven high; MAX9141 is in shutdown when \overline{SHDN} is driven low. |
| — | 5 | — | — | \overline{LE} | The output is latched when \overline{LE} is low. The latch is transparent when \overline{LE} is high. |
| 1 | 7 | — | — | OUT | Comparator Output |
| — | 8 | — | — | N.C. | No Connection. Not internally connected. |

Detailed Description

The MAX9140/MAX9141/MAX9142/MAX9144 single-supply comparators feature internal hysteresis, high speed, and low power. Their outputs are pulled to within 300mV of either supply rail without external pullup or pulldown circuitry. Rail-to-rail input voltage range and low-voltage single-supply operation make these devices ideal for portable equipment. The devices interface directly to CMOS and TTL logic.

Most high-speed comparators oscillate in the linear region because of noise or undesired parasitic feedback. This tends to occur when the voltage on one input is at or equal to the voltage on the other input. To counter the parasitic effects and noise, the devices have an internal hysteresis of 1.5mV.

The hysteresis in a comparator creates two trip points: one for the rising input voltage and one for the falling input voltage (Figure 1). The difference between the trip points is the hysteresis. The average of the trip points is the offset voltage. When the comparator's input voltages are equal, the hysteresis effectively causes one comparator input voltage to move quickly past the other, thus taking the input out of the region where oscillation occurs. Standard comparators require hysteresis to be added with external resistors. The devices' fixed internal hysteresis eliminates these resistors. To increase hysteresis and noise margin even more, add positive feedback with two resistors as a voltage divider from the output to the noninverting input.

Figure 1 illustrates the case where IN- is fixed and IN+ is varied. If the inputs were reversed, the figure would look the same, except the output would be inverted.

The MAX9141 includes an internal latch that allows storage of comparison results. The $\overline{\text{LE}}$ pin has a high input impedance. If $\overline{\text{LE}}$ is high, the latch is transparent (i.e., the comparator operates as though the latch is not present). The comparator's output state is latched when $\overline{\text{LE}}$ is pulled low (Figure 2).

Shutdown Mode (MAX9141 Only)

The MAX9141 shuts down when the $\overline{\text{SHDN}}$ pin is low. When shut down, the supply current drops to less than 12 μA , and the three-state output becomes high impedance. The $\overline{\text{SHDN}}$ pin has a high-input impedance. Connect $\overline{\text{SHDN}}$ to V_{CC} for normal operation. Exit shutdown with $\overline{\text{LE}}$ high (transparent state); otherwise, the output will be indeterminate.

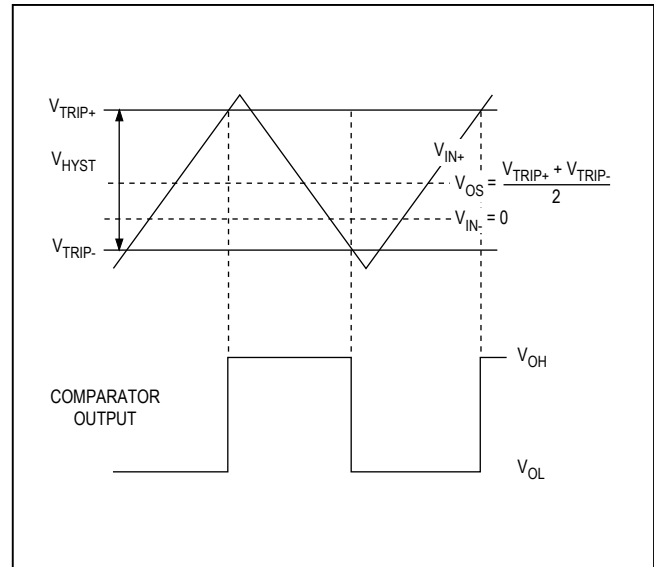


Figure 1. Input and Output Waveform, Noninverting Input Varied

Input Stage Circuitry

The devices include internal protection circuitry that prevents damage to the precision input stage from large differential input voltages. This protection circuitry consists of two back-to-back diodes between IN+ and IN- as well as two series 4.1k Ω resistors (Figure 3). The diodes limit the differential voltage applied to the internal circuitry of the comparators to be no more than $2V_F$, where V_F is the forward voltage drop of the diode (about 0.7V at +25°C).

For a large differential input voltage (exceeding $2V_F$), this protection circuitry increases the input bias current at IN+ (source) and IN- (sink).

$$\text{Input Current} = \frac{(\text{IN+} - \text{IN-}) - 2V_F}{2 \times 4.1\text{k}\Omega}$$

Input current with large differential input voltages should not be confused with input bias current (I_B). As long as the differential input voltage is less than $2V_F$, this input current is equal to I_B . The output is in the correct logic state if one or both inputs are within the common-mode range.

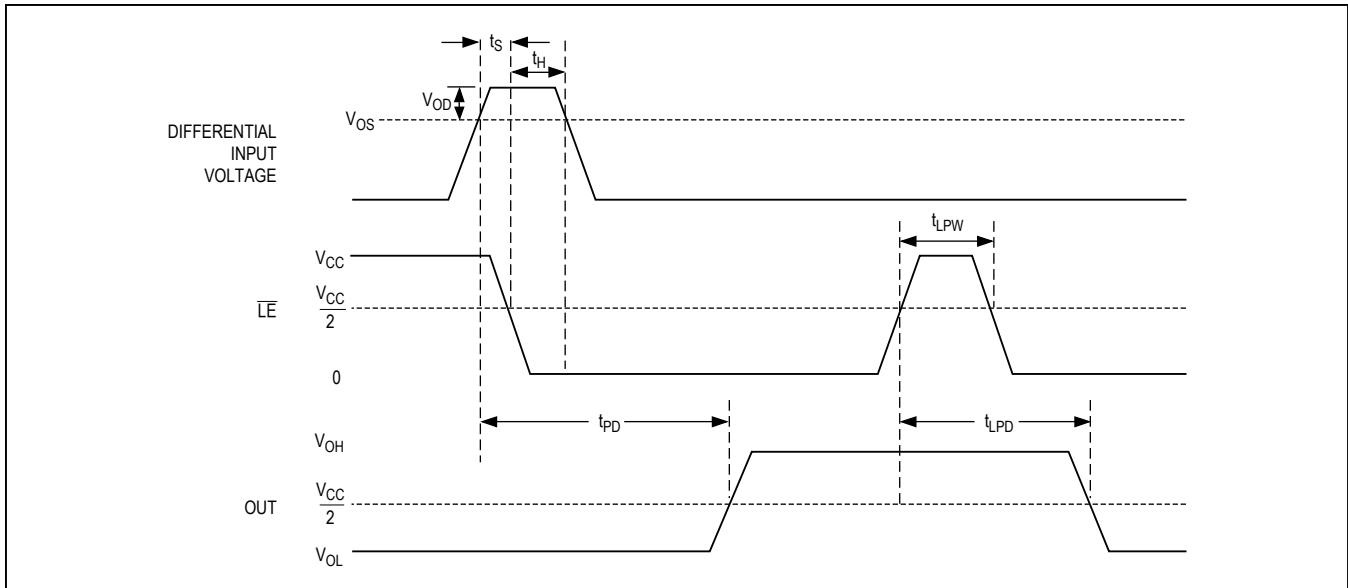


Figure 2. MAX9141 Timing Diagram with Latch Operator

Output Stage Circuitry

The MAX9140/MAX9141/MAX9142/MAX9144 contain a current-driven output stage as shown in Figure 4. During an output transition, I_{SOURCE} or I_{SINK} is pushed or pulled to the output pin. The output source or sink current is high during the transition, creating a rapid slew rate. Once the output voltage reaches V_{OH} or V_{OL} , the source or sink current decreases to a small value, capable of maintaining the V_{OH} or V_{OL} static condition. This significant decrease in current conserves power after an output transition has occurred.

One consequence of a current-driven output stage is a linear dependence between the slew rate and the load capacitance. A heavy capacitive load will slow down a voltage output transition. This can be useful in noisesensitive applications where fast edges may cause interference.

Applications Information

Circuit Layout and Bypassing

The high-gain bandwidth of the MAX9140/MAX9141/MAX9142/MAX9144 requires design precautions to realize the full high-speed capabilities of these comparators. The recommended precautions are:

- 1) Use a PCB with a good, unbroken, low-inductance ground plane.
- 2) Place a decoupling capacitor (a 0.1 μ F ceramic capacitor is a good choice) as close to V_{CC} as possible.

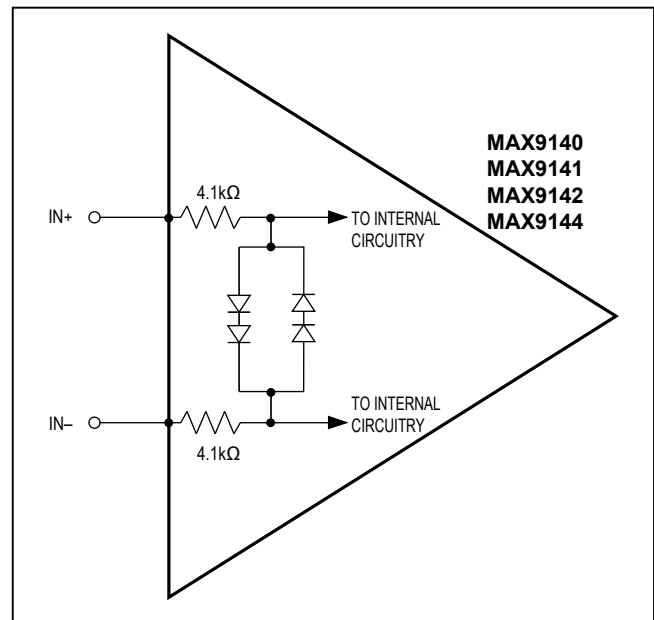


Figure 3. Input Stage Circuitry

- 3) Pay close attention to the decoupling capacitor's bandwidth, keeping leads short.
- 4) On the inputs and outputs, keep lead lengths short to avoid unwanted parasitic feedback around the comparators.
- 5) Solder the device directly to the PCB instead of using a socket.

MAX9140/MAX9141/
MAX9142/MAX9144

40ns, Low-Power, 3V/5V, Rail-to-Rail
Single-Supply Comparators

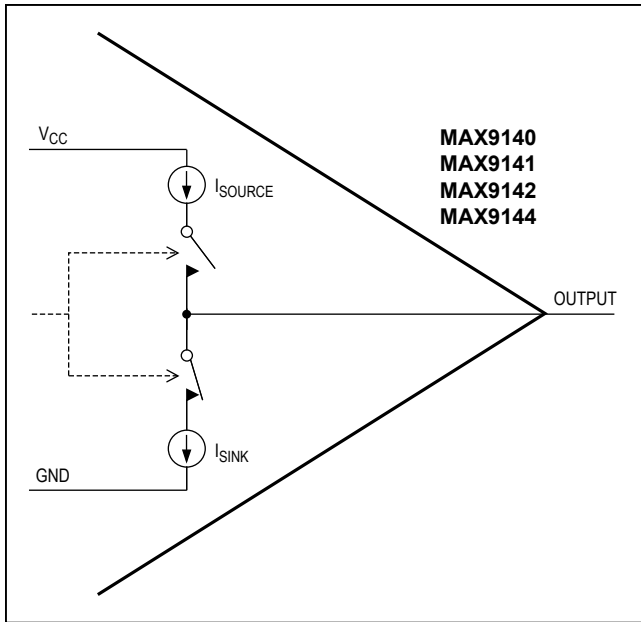


Figure 4. Output Stage Circuitry

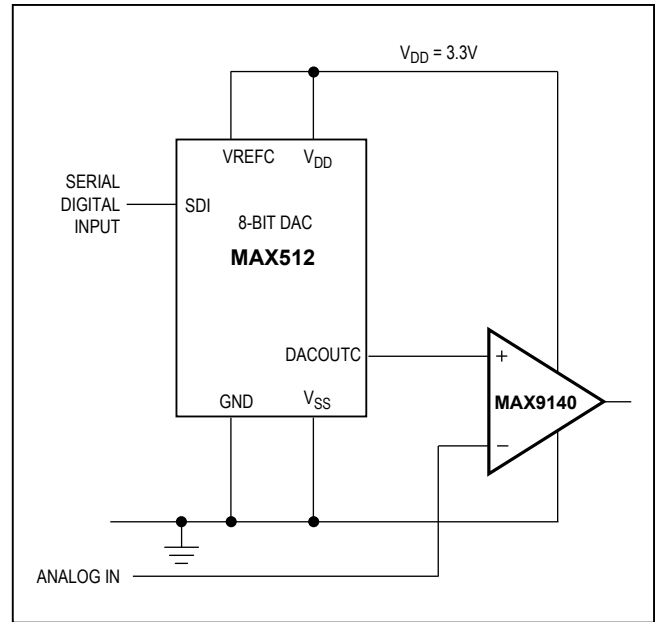


Figure 5. 3.3V Digitally Controlled Threshold Detector

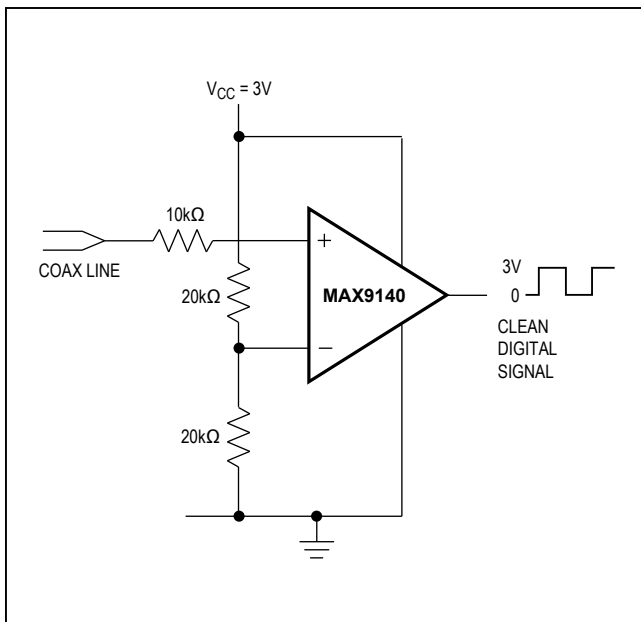


Figure 6. Line Receiver Application

Chip Information

PROCESS: Bipolar

Package Information

For the latest package outline information and land patterns (footprints), go to www.maximintegrated.com/packages. Note that a "+", "#", or "-" in the package code indicates RoHS status only. Package drawings may show a different suffix character, but the drawing pertains to the package regardless of RoHS status.

| PACKAGE TYPE | PACKAGE CODE | DOCUMENT NO. | LAND PATTERN NO. |
|--------------|--------------|-------------------------|-------------------------|
| 8 SOT23 | K8-5 | 21-0078 | 90-0176 |
| 5 SOT23 | U5-1 | 21-0057 | 90-0174 |
| 5 SC70 | X5+1 | 21-0076 | 90-0188 |
| 14 TSSOP | U14-1 | 21-0066 | 90-0113 |
| 8 SO | S8-2 | 21-0041 | 90-0096 |
| 14 SO | S14-1 | 21-0041 | 90-0112 |

| SYMBOL | MIN | NOM | MAX |
|--------|-----------|-------|------|
| A | 0.90 | 1.25 | 1.45 |
| A1 | 0.00 | 0.06 | 0.15 |
| A2 | 0.90 | 1.10 | 1.30 |
| b | 0.22 | 0.30 | 0.38 |
| C | 0.08 | 0.15 | 0.22 |
| D | 2.80 | 2.90 | 3.00 |
| E | 2.60 | 2.80 | 3.00 |
| E1 | 1.50 | 1.625 | 1.75 |
| L | 0.30 | 0.45 | 0.60 |
| L2 | 0.25 BSC. | | |
| e | 0.65 BSC. | | |
| e1 | 1.95 REF. | | |
| θ | 0° | 3° | 8° |

PKG CODES:
K8-1, K8-2, K8F-4, K8FH-4, K8-5,
K8SN-1; K8CN-2

NOTE:

- ALL DIMENSIONS ARE IN MILLIMETERS.
- FOOT LENGTH MEASURED FROM LEAD TIP TO UPPER RADIUS OF HEEL OF THE LEAD PARALLEL TO SEATING PLANE C.
- PACKAGE OUTLINE EXCLUSIVE OF MOLD FLASH & METAL BURR.
- PACKAGE OUTLINE INCLUSIVE OF SOLDER PLATING.
- COPLANARITY 4 MILS. MAX.
- MARKING IS FOR PACKAGE ORIENTATION REFERENCE ONLY.
- SOLDER THICKNESS MEASURED AT FLAT SECTION OF LEAD BETWEEN 0.08mm AND 0.15mm FROM LEAD TIP.
- MEETS JEDEC MO178 VARIATION BA.
- ALL DIMENSIONS APPLY TO BOTH LEADED (-) AND LEAD FREE (+) PACKAGE CODES.

—DRAWING NOT TO SCALE—

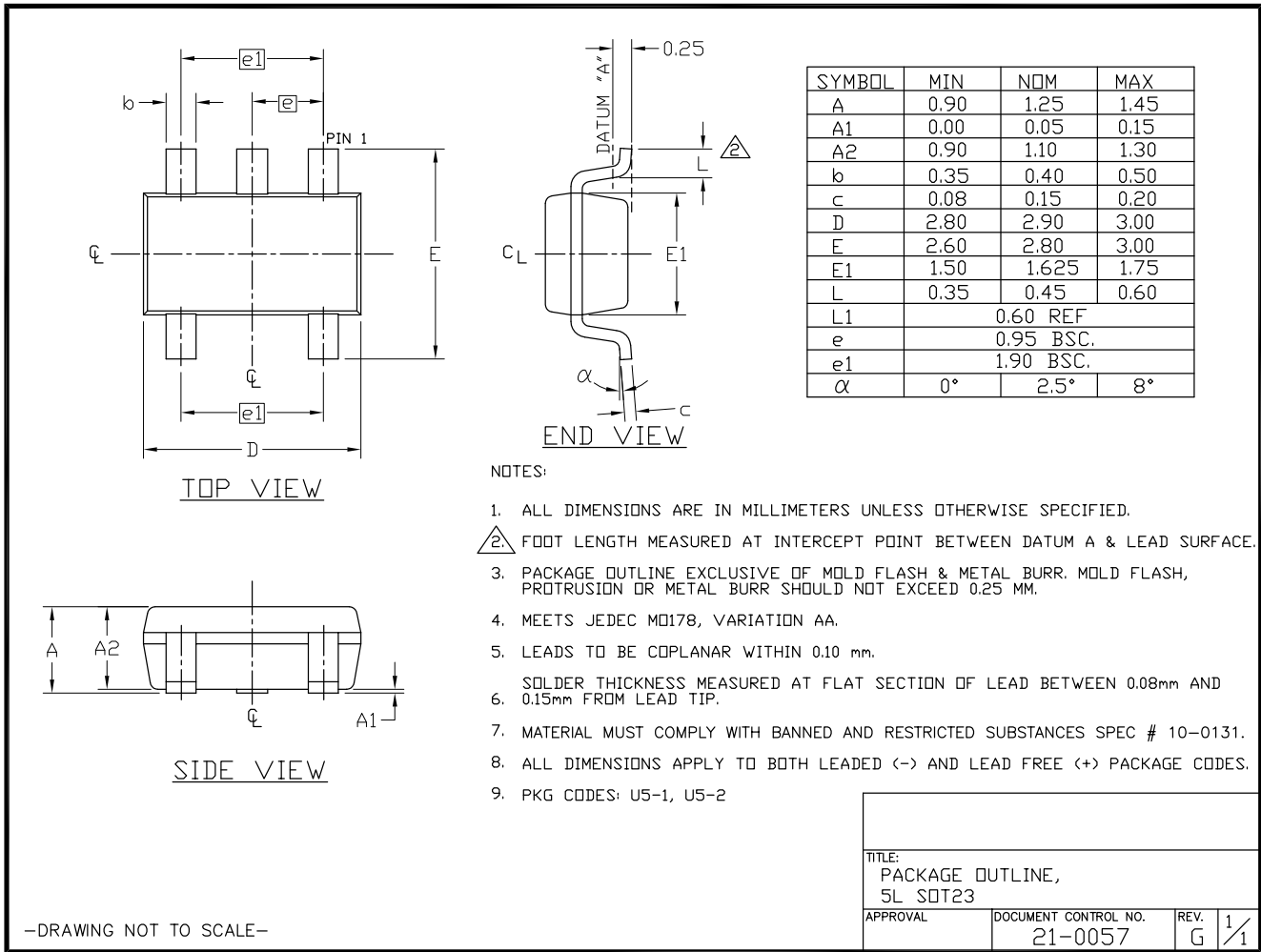
maxim
integrated.

TITLE:
PACKAGE OUTLINE, SOT-23, 8L BODY

| | | | |
|----------|---------------------------------|-----------|-----|
| APPROVAL | DOCUMENT CONTROL NO. 21-0078 | REV. J | 1/1 |
|----------|---------------------------------|-----------|-----|

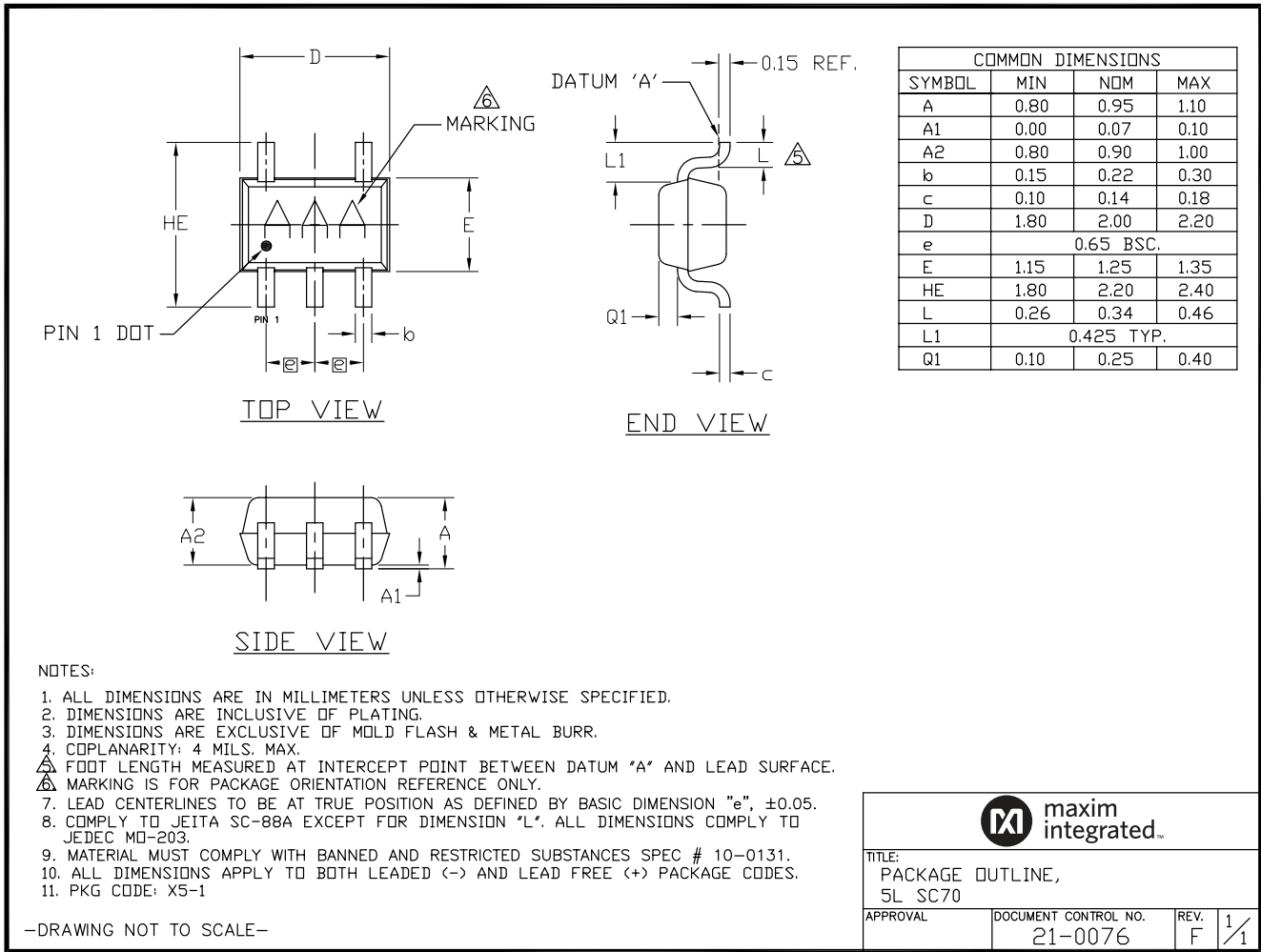
Package Information (continued)

For the latest package outline information and land patterns (footprints), go to www.maximintegrated.com/packages. Note that a "+", "#", or "-" in the package code indicates RoHS status only. Package drawings may show a different suffix character, but the drawing pertains to the package regardless of RoHS status.



Package Information (continued)

For the latest package outline information and land patterns (footprints), go to www.maximintegrated.com/packages. Note that a "+", "#", or "-" in the package code indicates RoHS status only. Package drawings may show a different suffix character, but the drawing pertains to the package regardless of RoHS status.



Package Information (continued)

For the latest package outline information and land patterns (footprints), go to www.maximintegrated.com/packages. Note that a "+", "#", or "-" in the package code indicates RoHS status only. Package drawings may show a different suffix character, but the drawing pertains to the package regardless of RoHS status.

COMMON DIMENSIONS

| | MILLIMETERS | | INCHES | |
|----------------|----------------|------|----------------|------|
| | MIN. | MAX. | MIN. | MAX. |
| A | — | 1.10 | — | .043 |
| A ₁ | 0.05 | 0.15 | .002 | .006 |
| A ₂ | 0.85 | 0.95 | .033 | .037 |
| b | 0.19 | 0.30 | .007 | .012 |
| b ₁ | 0.19 | 0.25 | .007 | .010 |
| c | 0.09 | 0.20 | .004 | .008 |
| c ₁ | 0.09 | 0.14 | .004 | .006 |
| D | SEE VARIATIONS | | SEE VARIATIONS | |
| E | 4.30 | 4.50 | .169 | .177 |
| e | 0.65 BSC | | .026 BSC | |
| H | 6.25 | 6.55 | .246 | .258 |
| L | 0.50 | 0.70 | .020 | .028 |
| N | SEE VARIATIONS | | SEE VARIATIONS | |
| α | 0° | 8° | 0° | 8° |
| bbb | 0.10 MAX | | | |

| JEDEC MD-153 | N | s y h b l | PKG. CODES | VARIATIONS | | | |
|--------------|----|-----------------------|--|-------------|------|--------|------|
| | | | | MILLIMETERS | | INCHES | |
| | | | | MIN. | MAX. | MIN. | MAX. |
| AB-1 | 14 | D | U14-1, U14-2, U14-3 | 4.90 | 5.10 | .193 | .201 |
| AB | 16 | D | U16-1, U16-2, U16-1F, U16M-1 | 4.90 | 5.10 | .193 | .201 |
| AC | 20 | D | U20-1, U20-2, U20-3, U20-5, U20-1F, U20M-2 | 6.40 | 6.60 | .252 | .260 |
| AD | 24 | D | U24-1, U24-2 | 7.70 | 7.90 | .303 | .311 |
| AE | 28 | D | U28-1, U28-2, U28-3 | 9.60 | 9.80 | .378 | .386 |

NOTES

- DIMENSIONS D AND E DO NOT INCLUDE FLASH
- MOLD FLASH OR PROTRUSIONS NOT TO EXCEED 0.15mm PER SIDE
- CONTROLLING DIMENSION: MILLIMETER
- MEETS JEDEC OUTLINE MD-153. SEE JEDEC VARIATIONS TABLE
- "N" REFERS TO NUMBER OF LEADS
- LEAD COPLANARITY 0.10 MM MAX.
- NUMBER OF LEADS SHOWN ARE FOR REFERENCE ONLY
- MARKING IS FOR PACKAGE ORIENTATION REFERENCE ONLY
- BENT LEAD 0.10 MM MAX.
- MATERIAL MUST COMPLY WITH BANNED AND RESTRICTED SUBSTANCES SPEC # 10-0131.
- ALL DIMENSIONS APPLY TO BOTH LEADED (-) AND PBFREE (+) PKG. CODES.

-DRAWING NOT TO SCALE-

TITLE:
PACKAGE OUTLINE,
TSSDP 4.40mm BODY

| | | | |
|----------|---------------------------------|-----------|-----|
| APPROVAL | DOCUMENT CONTROL NO. 21-0066 | REV. L | 1/1 |
|----------|---------------------------------|-----------|-----|

Package Information (continued)

For the latest package outline information and land patterns (footprints), go to www.maximintegrated.com/packages. Note that a "+", "#", or "-" in the package code indicates RoHS status only. Package drawings may show a different suffix character, but the drawing pertains to the package regardless of RoHS status.

| COMMON DIMENSIONS | | | | |
|-------------------|----------|------|----------|------|
| SYMBOL | INCHES | | MM | |
| | MIN. | MAX. | MIN. | MAX. |
| A | .053 | .069 | 1.35 | 1.75 |
| A1 | .004 | .010 | 0.10 | 0.25 |
| b | .014 | .019 | 0.35 | 0.49 |
| c | .007 | .010 | 0.19 | 0.25 |
| E | .150 | .157 | 3.80 | 4.00 |
| e | .050 BSC | | 1.27 BSC | |
| H | .228 | .244 | 5.80 | 6.20 |
| L | .016 | .050 | 0.40 | 1.27 |
| α | 0° | 8° | 0° | 8° |

| VARIATION A | | | | |
|-------------|---|------|------|------|
| SYMBOL | INCHES | | MM | |
| | MIN. | MAX. | MIN. | MAX. |
| D | .189 | .197 | 4.80 | 5.00 |
| N | 8 | | | |
| MS012 | AA | | | |
| PKG. CODE | S8-2, S8-4, S8-5, S8-6F, S8-7F, S8-8F, S8-10F, S8-11F, S8-16F | | | |

| VARIATION B | | | | |
|-------------|--|------|------|------|
| SYMBOL | INCHES | | MM | |
| | MIN. | MAX. | MIN. | MAX. |
| D | .337 | .344 | 8.55 | 8.75 |
| N | 14 | | | |
| MS012 | AB | | | |
| PKG. CODE | S14-1, S14-4, S14-5, S14-6; S14M-4, S14M-5, S14M-6, S14M-7 | | | |

| VARIATION C | | | | |
|-------------|--|------|------|-------|
| SYMBOL | INCHES | | MM | |
| | MIN. | MAX. | MIN. | MAX. |
| D | .386 | .394 | 9.80 | 10.00 |
| N | 16 | | | |
| MS012 | AC | | | |
| PKG. CODE | S16-1, S16-3, S16-5, S16-6, S16-8, S16-7F, S16-9F, S16-10F; S16M-3, S16M-6 | | | |

NOTES:

- ALL DIMENSIONS ARE IN MILLIMETERS UNLESS OTHERWISE SPECIFIED.
- MATERIAL MUST COMPLY WITH BANNED AND RESTRICTED SUBSTANCES SPEC # 10-0131.
- DIMENSIONS D AND E DO NOT INCLUDE MOLD PROTRUSION. ALLOWABLE MOLD PROTRUSION IS 0.15 MM (.006") PER SIDE.
- LEADS TO BE COPLANAR WITHIN 0.10mm (.004").
- MEETS JEDEC MS012
- ALL DIMENSIONS APPLY TO BOTH LEADED (-) AND PbfREE (+) PKG. CODES.

-DRAWING NOT TO SCALE-

| | | | |
|---|---------------------------------|-----------|-----|
| | | | |
| TITLE: PACKAGE OUTLINE, 8L, 14L, 16L SOIC .150 INCH | | | |
| APPROVAL | DOCUMENT CONTROL NO. 21-0041 | REV. C | 1/1 |

Revision History

| REVISION NUMBER | REVISION DATE | DESCRIPTION | PAGES CHANGED |
|-----------------|---------------|---|---------------|
| 0 | 6/01 | Initial release | — |
| 1 | 1/07 | Updated <i>Absolute Maximum Ratings</i> with $\pm 20\text{mA}$ current into input pin. | 2 |
| 2 | 12/07 | Added two new automotive grade products. | 1, 2 |
| 3 | 1/10 | Added automotive qualified part | 1 |
| 4 | 6/14 | Added Junction Temperature to <i>Absolute Maximum Ratings</i> | 2 |
| 5 | 9/15 | Removed MAX9140AAXK/V from <i>Ordering Information</i> and edited the <i>Absolute Maximum Ratings</i> | 1, 2 |
| 6 | 10/15 | Updated TOC7 and TOC8 in the <i>Typical Operating Characteristics</i> section | 6 |

For pricing, delivery, and ordering information, please contact Maxim Direct at 1-888-629-4642, or visit Maxim Integrated's website at www.maximintegrated.com.

Maxim Integrated cannot assume responsibility for use of any circuitry other than circuitry entirely embodied in a Maxim Integrated product. No circuit patent licenses are implied. Maxim Integrated reserves the right to change the circuitry and specifications without notice at any time. The parametric values (min and max limits) shown in the Electrical Characteristics table are guaranteed. Other parametric values quoted in this data sheet are provided for guidance.