



Chipsmall Limited consists of a professional team with an average of over 10 year of expertise in the distribution of electronic components. Based in Hongkong, we have already established firm and mutual-benefit business relationships with customers from,Europe,America and south Asia,supplying obsolete and hard-to-find components to meet their specific needs.

With the principle of “Quality Parts,Customers Priority,Honest Operation,and Considerate Service”,our business mainly focus on the distribution of electronic components. Line cards we deal with include Microchip,ALPS,ROHM,Xilinx,Pulse,ON,Everlight and Freescale. Main products comprise IC,Modules,Potentiometer,IC Socket,Relay,Connector.Our parts cover such applications as commercial,industrial, and automotives areas.

We are looking forward to setting up business relationship with you and hope to provide you with the best service and solution. Let us make a better world for our industry!



Contact us

Tel: +86-755-8981 8866 Fax: +86-755-8427 6832

Email & Skype: info@chipsmall.com Web: www.chipsmall.com

Address: A1208, Overseas Decoration Building, #122 Zhenhua RD., Futian, Shenzhen, China





2:8 Differential LVPECL/LVECL/HSTL Clock and Data Driver

MAX9325

General Description

The MAX9325 low-skew, 2:8 differential driver features extremely low output-to-output skew (50ps max) and part-to-part skew (225ps max). These features make the device ideal for clock and data distribution across a backplane or board. The device selects one of the two differential HSTL or LVECL/LVPECL inputs and repeats them at eight differential outputs. Outputs are compatible with LVECL and LVPECL, and can directly drive 50Ω terminated transmission lines.

The differential inputs can be configured to accept a single-ended signal when the unused complementary input is connected to the on-chip reference output voltage V_{BB} . All inputs have internal pulldown resistors to V_{EE} . The internal pulldowns and a fail-safe circuit ensure differential low default outputs when the inputs are left open or at V_{EE} .

The MAX9325 operates over a 2.375V to 3.8V supply range for interfacing to differential HSTL and LVPECL signals. This allows high-performance clock or data distribution in systems with a nominal +2.5V or +3.3V supply. For LVECL operation, the device operates with a -2.375V to -3.8V supply.

The MAX9325 is offered in 28-lead PLCC and space-saving 28-lead QFN packages. The MAX9325 is specified for operation from -40°C to +85°C.

Applications

- Precision Clock Distribution
- Low-Jitter Data Repeaters

Features

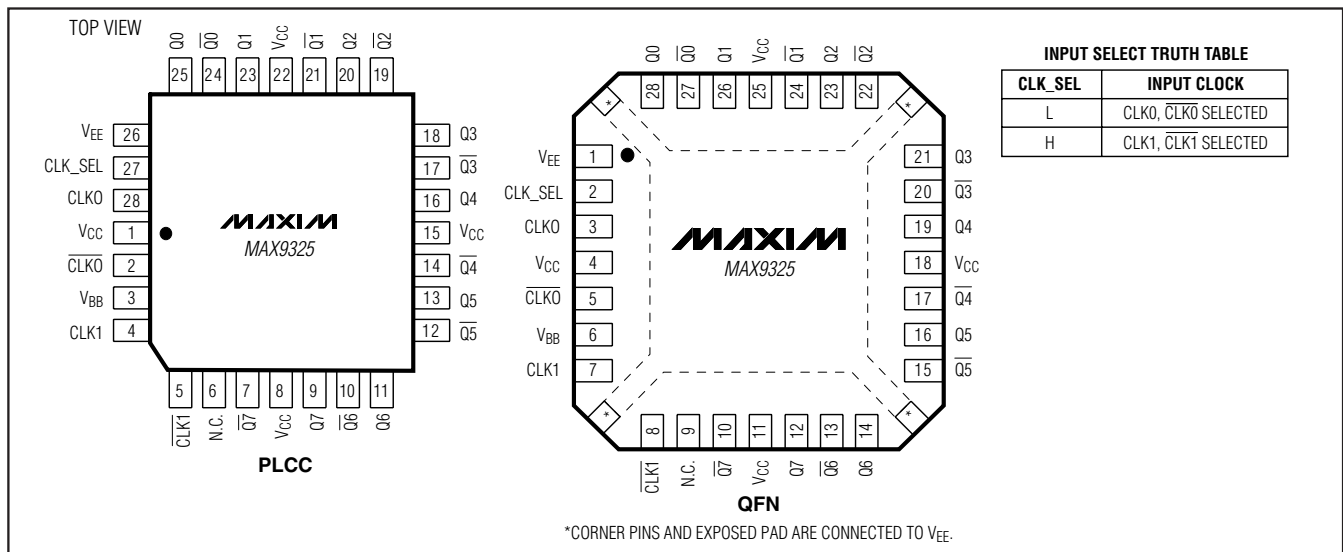
- ◆ 50ps (max) Output-to-Output Skew
- ◆ 1.5psRMS (max) Random Jitter
- ◆ Guaranteed 300mV Differential Output at 700MHz
- ◆ +2.375V to +3.8V Supplies for Differential HSTL/LVPECL
- ◆ -2.375V to -3.8V Supplies for Differential LVECL
- ◆ Two Selectable Differential Inputs
- ◆ On-Chip Reference for Single-Ended Inputs
- ◆ Outputs Low for Inputs Open or at V_{EE}
- ◆ Pin Compatible with MC100LVE310

Ordering Information

PART	TEMP RANGE	PIN-PACKAGE
MAX9325EQI	-40°C to +85°C	28 PLCC
MAX9325EGI	-40°C to +85°C	28 QFN 5mm x 5mm

Functional Diagram appears at end of data sheet.

Pin Configurations



2:8 Differential LVPECL/LVECL/HSTL Clock and Data Driver

ABSOLUTE MAXIMUM RATINGS

V _{CC} - V _{EE}	-0.3V to +4.1V	28-Lead QFN (derate 20.8mW/°C above +70°C)	1667mW
Inputs (CLK ₋ , $\overline{\text{CLK}}_{-}$, CLK_SEL) to V _{EE}	-0.3V to (V _{CC} + 0.3V)	θ _{JA} in Still Air	+48°C/W
CLK ₋ to $\overline{\text{CLK}}_{-}$	±3.0V	θ _{JC}	+2°C/W
Continuous Output Current.....	50mA	Operating Temperature Range	-40°C to +85°C
Surge Output Current.....	100mA	Junction Temperature	+150°C
V _{BB} Sink/Source Current.....	±0.65mA	Storage Temperature Range	-65°C to +150°C
Continuous Power Dissipation (T _A = +70°C)		ESD Protection	
28-Lead PLCC (derate 10.5mW/°C above +70°C)	842mW	Human Body Model (CLK ₋ , $\overline{\text{CLK}}_{-}$, Q ₋ , $\overline{\text{Q}}_{-}$).....	≥2kV
θ _{JA} in Still Air	+95°C/W	Soldering Temperature (10s).....	+300°C
θ _{JC}	+25°C/W		

Stresses beyond those listed under "Absolute Maximum Ratings" may cause permanent damage to the device. These are stress ratings only, and functional operation of the device at these or any other conditions beyond those indicated in the operational sections of the specifications is not implied. Exposure to absolute maximum rating conditions for extended periods may affect device reliability.

DC ELECTRICAL CHARACTERISTICS

(V_{CC} - V_{EE}) = 2.375V to 3.8V, R_L = 50Ω ±1% to V_{CC} - 2V. Typical values are at (V_{CC} - V_{EE}) = 3.3V, V_{IH} = (V_{CC} - 1V), V_{IL} = (V_{CC} - 1.5V). (Notes 1-4)

PARAMETER	SYMBOL	CONDITIONS	-40°C			+25°C			+85°C			UNITS
			MIN	TYP	MAX	MIN	TYP	MAX	MIN	TYP	MAX	
SINGLE-ENDED INPUT (CLK_SEL)												
Single-Ended Input High Voltage	V _{IH}	Figure 1	V _{CC} - 1.165	V _{CC}	V _{CC} - 1.165	V _{CC}	V _{CC} - 1.165	V _{CC}	V _{CC}	V		
Single-Ended Input Low Voltage	V _{IL}	Figure 1	V _{EE}	V _{CC} - 1.475	V _{EE}	V _{CC} - 1.475	V _{EE}	V _{CC} - 1.475	V _{CC} - 1.475	V		
Input Current	I _{IN}	V _{IH} , V _{IL}	-10.0	+150	-10.0	+150	-10.0	+150	+150	μA		
DIFFERENTIAL INPUT (CLK₋, $\overline{\text{CLK}}_{-}$)												
Single-Ended Input High Voltage	V _{IH}	Figure 1	V _{CC} - 1.165	V _{CC}	V _{CC} - 1.165	V _{CC}	V _{CC} - 1.165	V _{CC}	V _{CC}	V		
Single-Ended Input Low Voltage	V _{IL}	Figure 1	V _{EE}	V _{CC} - 1.475	V _{EE}	V _{CC} - 1.475	V _{EE}	V _{CC} - 1.475	V _{CC} - 1.475	V		
Differential Input High Voltage	V _{IHD}	Figure 1	V _{EE} + 1.2	V _{CC}	V _{EE} + 1.2	V _{CC}	V _{EE} + 1.2	V _{CC}	V _{CC}	V		

2:8 Differential LVPECL/LVECL/HSTL Clock and Data Driver

MAX9325

DC ELECTRICAL CHARACTERISTICS (continued)

($V_{CC} - V_{EE}$) = 2.375V to 3.8V, $R_L = 50\Omega \pm 1\%$ to $V_{CC} - 2V$. Typical values are at ($V_{CC} - V_{EE}$) = 3.3V, $V_{IH} = (V_{CC} - 1V)$, $V_{IL} = (V_{CC} - 1.5V)$. (Notes 1–4)

PARAMETER	SYMBOL	CONDITIONS	-40°C			+25°C			+85°C			UNITS
			MIN	TYP	MAX	MIN	TYP	MAX	MIN	TYP	MAX	
Differential Input Low Voltage	V_{ILD}	Figure 1	V_{EE}		$V_{CC} - 0.095$	V_{EE}		$V_{CC} - 0.095$	V_{EE}		$V_{CC} - 0.095$	V
Differential Input Voltage	$V_{IHD} - V_{ILD}$	$(V_{CC} - V_{EE}) < 3.0V$, Figure 1	0.095		$V_{CC} - V_{EE}$	0.095		$V_{CC} - V_{EE}$	0.095		$V_{CC} - V_{EE}$	V
		$(V_{CC} - V_{EE}) \geq 3.0V$, Figure 1	0.095		3.0	0.095		3.0	0.095		3.0	
Input Current	I_{IN}	$V_{IH}, V_{IL}, V_{IHD}, V_{ILD}$	-10.0		+150.0	-10.0		+150.0	-10.0		+150.0	μA
OUTPUT (Q_-, \bar{Q}_-)												
Single-Ended Output High Voltage	V_{OH}	Figure 2	$V_{CC} - 1.085$	$V_{CC} - 0.977$	$V_{CC} - 0.880$	$V_{CC} - 1.025$	$V_{CC} - 0.949$	$V_{CC} - 0.88$	$V_{CC} - 1.025$	$V_{CC} - 0.929$	$V_{CC} - 0.88$	V
Single-Ended Output Low Voltage	V_{OL}	Figure 2	$V_{CC} - 1.810$	$V_{CC} - 1.695$	$V_{CC} - 1.620$	$V_{CC} - 1.810$	$V_{CC} - 1.697$	$V_{CC} - 1.62$	$V_{CC} - 1.810$	$V_{CC} - 1.698$	$V_{CC} - 1.62$	V
Differential Output Voltage	$V_{OH} - V_{OL}$	Figure 2	535	718		595	749		595	769		mV
REFERENCE VOLTAGE OUTPUT (V_{BB})												
Reference Voltage Output	V_{BB}	$I_{BB} = \pm 0.5mA$ (Note 5)	$V_{CC} - 1.38$	$V_{CC} - 1.318$	$V_{CC} - 1.26$	$V_{CC} - 1.38$	$V_{CC} - 1.325$	$V_{CC} - 1.26$	$V_{CC} - 1.38$	$V_{CC} - 1.328$	$V_{CC} - 1.26$	V
SUPPLY												
Supply Current	I_{EE}	(Note 6)		35	50		39	55		42	65	mA

2:8 Differential LVPECL/LVECL/HSTL Clock and Data Driver

AC ELECTRICAL CHARACTERISTICS—PLCC Package

($V_{CC} - V_{EE}$) = 2.375V to 3.8V, $R_L = 50\Omega \pm 1\%$ to $V_{CC} - 2V$, $f_{IN} \leq 500\text{MHz}$, input transition time = 125ps (20% to 80%). Typical values are at ($V_{CC} - V_{EE}$) = 3.3V, $V_{IH} = (V_{CC} - 1V)$, $V_{IL} = (V_{CC} - 1.5V)$.) (Note 7)

PARAMETER	SYMBOL	CONDITIONS	-40°C			+25°C			+85°C			UNITS
			MIN	TYP	MAX	MIN	TYP	MAX	MIN	TYP	MAX	
Differential Input-to-Output Delay	t_{PLHD} t_{PHLD}	Figure 2	525		725	550		750	575		775	ps
Single-Ended Input-to-Output Delay	t_{PLH} t_{PHL}	Figure 3 (Note 8)	500		750	550		800	600		850	ps
Output-to-Output Skew	t_{SKOO}	(Note 9)			50			50			50	ps
Part-to-Part Skew	t_{SKPP}	Differential input (Note 10)			160			190			225	ps
Added Random Jitter	t_{RJ}	$f_{IN} = 0.5\text{GHz}$ clock pattern (Note 11)			1.5			1.5			1.5	psRMS
Added Deterministic Jitter	t_{DJ}	$f_{IN} = 1.0\text{Gbps}$, $2E^{23} - 1$ PRBS pattern (Note 11)			100			100			100	psP-P
Switching Frequency	f_{MAX}	$V_{OH} - V_{OL} \geq 300\text{mV}$ clock pattern	1.5			1.5			1.5			GHz
Output Rise/Fall Time (20% to 80%)	t_R , t_F	Figure 2	140		440	140		440	140		440	ps

2:8 Differential LVPECL/LVECL/HSTL Clock and Data Driver

MAX9325

AC ELECTRICAL CHARACTERISTICS—QFN Package

(($V_{CC} - V_{EE}$) = 2.375V to 3.8V, $R_L = 50\Omega \pm 1\%$ to $V_{CC} - 2V$, $f_{IN} \leq 500MHz$, input transition time = 125ps (20% to 80%). Typical values are at ($V_{CC} - V_{EE}$) = 3.3V, $V_{IH} = (V_{CC} - 1V)$, $V_{IL} = (V_{CC} - 1.5V)$.) (Note 7)

PARAMETER	SYMBOL	CONDITIONS	-40°C			+25°C			+85°C			UNITS
			MIN	TYP	MAX	MIN	TYP	MAX	MIN	TYP	MAX	
Differential Input-to-Output Delay	t_{PLHD} t_{PHLD}	Figure 2	250		575	298		553	309		576	ps
Single-Ended Input-to-Output Delay	t_{PLH} t_{PHL}	Figure 3 (Note 8)	253		581	310		586	324		606	ps
Output-to-Output Skew	t_{SKOO}	(Note 9)			50			50			50	ps
Part-to-Part Skew	t_{SKPP}	Differential input (Note 10)			192			215			218	ps
Added Random Jitter	t_{RJ}	$f_{IN} = 0.5GHz$ clock pattern (Note 11)			1.5			1.5			1.5	psRMS
Added Deterministic Jitter	t_{DJ}	$f_{IN} = 1.0Gbps$, $2E^{23} - 1$ PRBS pattern (Note 11)			95			95			95	pSP-P
Switching Frequency	f_{MAX}	$V_{OH} - V_{OL} \geq 300mV$ clock pattern	1.5			1.5			1.5			GHz
Output Rise/Fall Time (20% to 80%)	t_R , t_F	Figure 2	97		411	104		210	111		232	ps

Note 1: Measurements are made with the device in thermal equilibrium.

Note 2: Current into a pin is defined as positive. Current out of a pin is defined as negative.

Note 3: DC parameters production tested at $T_A = +25^\circ C$ and guaranteed by design over the full operating temperature range.

Note 4: Single-ended input operation using V_{BB} is limited to ($V_{CC} - V_{EE}$) = 3.0V to 3.8V.

Note 5: Use V_{BB} only for inputs that are on the same device as the V_{BB} reference.

Note 6: All pins open except V_{CC} and V_{EE} .

Note 7: Guaranteed by design and characterization. Limits are set at ± 6 sigma.

Note 8: Measured from the 50% point of the input signal with the 50% point equal to V_{BB} , to the 50% point of the output signal.

Note 9: Measured between outputs of the same part at the signal crossing points for a same-edge transition. Differential input signal.

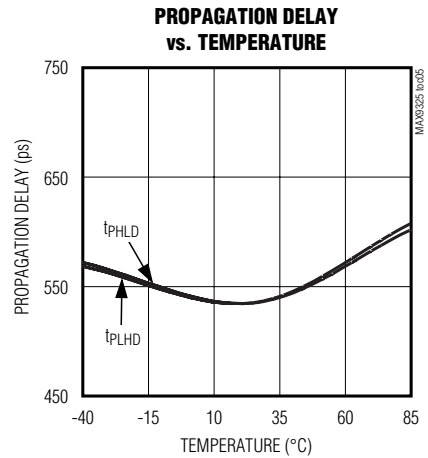
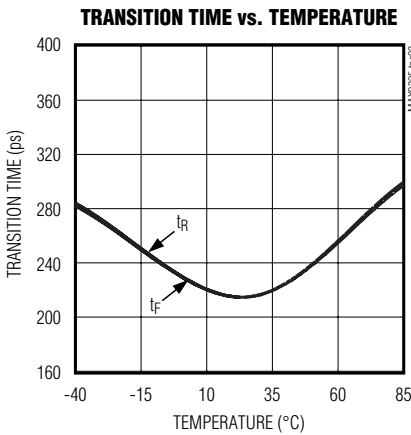
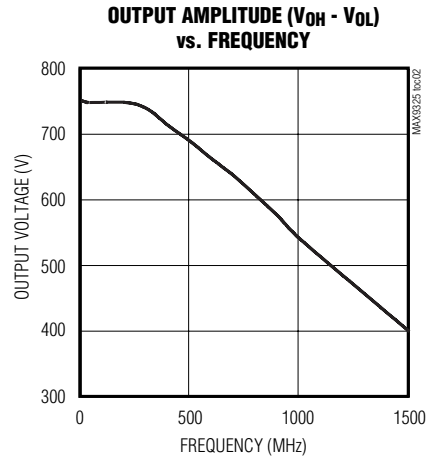
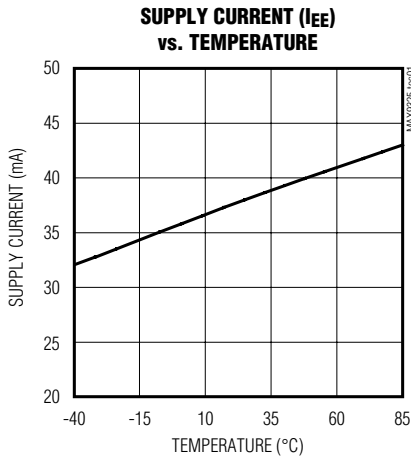
Note 10: Measured between outputs of different parts under identical condition for same-edge transition.

Note 11: Device jitter added to the input signal. Differential input signal.

2:8 Differential LVPECL/LVECL/HSTL Clock and Data Driver

Typical Operating Characteristics

(PLCC package, typical values are at $(V_{CC} - V_{EE}) = 3.3V$, $V_{IH} = (V_{CC} - 1V)$, $V_{IL} = (V_{CC} - 1.5V)$, $R_L = 50\Omega \pm 1\%$ to $V_{CC} - 2V$, $f_{IN} = 500MHz$, input transition time = 125ps (20% to 80%.))



2:8 Differential LVPECL/LVECL/HSTL Clock and Data Driver

Pin Description

MAX9325

PIN		NAME	FUNCTION
PLCC	QFN		
1, 8, 15, 22	4, 11, 18, 25	V _{CC}	Positive Supply Voltage. Bypass each V _{CC} to V _{EE} with 0.1μF and 0.01μF ceramic capacitors. Place the capacitors as close to the device as possible, with the smaller value capacitor closest to the device.
2	5	$\overline{\text{CLK0}}$	Inverting Differential Clock Input 0. Internal 105kΩ pulldown to V _{EE} .
3	6	V _{BB}	Reference Output Voltage. Connect to the inverting or noninverting clock input to provide a reference for single-ended operation. When used, bypass V _{BB} to V _{CC} with a 0.01μF ceramic capacitor. Otherwise leave open.
4	7	CLK1	Noninverting Differential Clock Input 1. Internal 105kΩ pulldown to V _{EE} .
5	8	$\overline{\text{CLK1}}$	Inverting Differential Clock Input 1. Internal 105kΩ pulldown to V _{EE} .
6	9	N.C.	Not Connected
7	10	$\overline{\text{Q7}}$	Inverting Q7 Output. Typically terminate with 50Ω resistor to V _{CC} - 2V.
9	12	Q7	Noninverting Q7 Output. Typically terminate with 50Ω resistor to V _{CC} - 2V.
10	13	$\overline{\text{Q6}}$	Inverting Q6 Output. Typically terminate with 50Ω resistor to V _{CC} - 2V.
11	14	Q6	Noninverting Q6 Output. Typically terminate with 50Ω resistor to V _{CC} - 2V.
12	15	$\overline{\text{Q5}}$	Inverting Q5 Output. Typically terminate with 50Ω resistor to V _{CC} - 2V.
13	16	Q5	Noninverting Q5 Output. Typically terminate with 50Ω resistor to V _{CC} - 2V.
14	17	$\overline{\text{Q4}}$	Inverting Q4 Output. Typically terminate with 50Ω resistor to V _{CC} - 2V.
16	19	Q4	Noninverting Q4 Output. Typically terminate with 50Ω resistor to V _{CC} - 2V.
17	20	$\overline{\text{Q3}}$	Inverting Q3 Output. Typically terminate with 50Ω resistor to V _{CC} - 2V.
18	21	Q3	Noninverting Q3 Output. Typically terminate with 50Ω resistor to V _{CC} - 2V.
19	22	$\overline{\text{Q2}}$	Inverting Q2 Output. Typically terminate with 50Ω resistor to V _{CC} - 2V.
20	23	Q2	Noninverting Q2 Output. Typically terminate with 50Ω resistor to V _{CC} - 2V.
21	24	$\overline{\text{Q1}}$	Inverting Q1 Output. Typically terminate with 50Ω resistor to V _{CC} - 2V.
23	26	Q1	Noninverting Q1 Output. Typically terminate with 50Ω resistor to V _{CC} - 2V.
24	27	$\overline{\text{Q0}}$	Inverting Q0 Output. Typically terminate with 50Ω resistor to V _{CC} - 2V.
25	28	Q0	Noninverting Q0 Output. Typically terminate with 50Ω resistor to V _{CC} - 2V.
26	1	V _{EE}	Negative Supply Voltage
27	2	CLK_SEL	Clock Select Input. When driven low, the CLK0 input is selected. Drive high to select the CLK1 Input. The CLK_SEL threshold is equal to V _{BB} . Internal 75kΩ pulldown to V _{EE} .
28	3	CLK0	Noninverting Differential Clock Input 0. Internal 105kΩ pulldown to V _{EE} .
Exposed	Exposed Pad	—	Internally Connected to V _{EE}

2:8 Differential LVPECL/LVECL/HSTL Clock and Data Driver

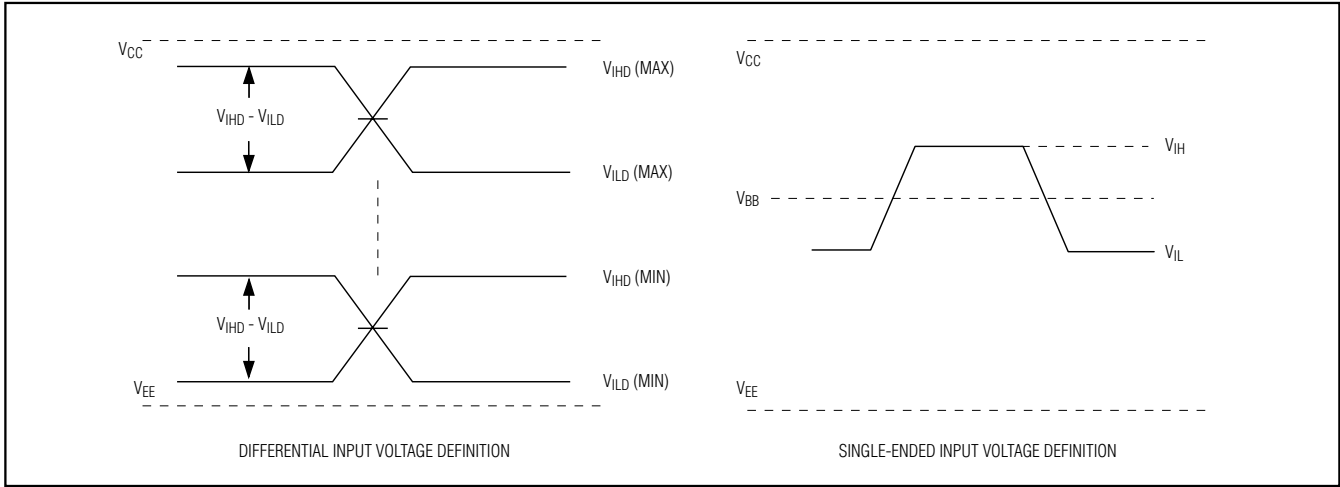


Figure 1. Input Voltage Definitions

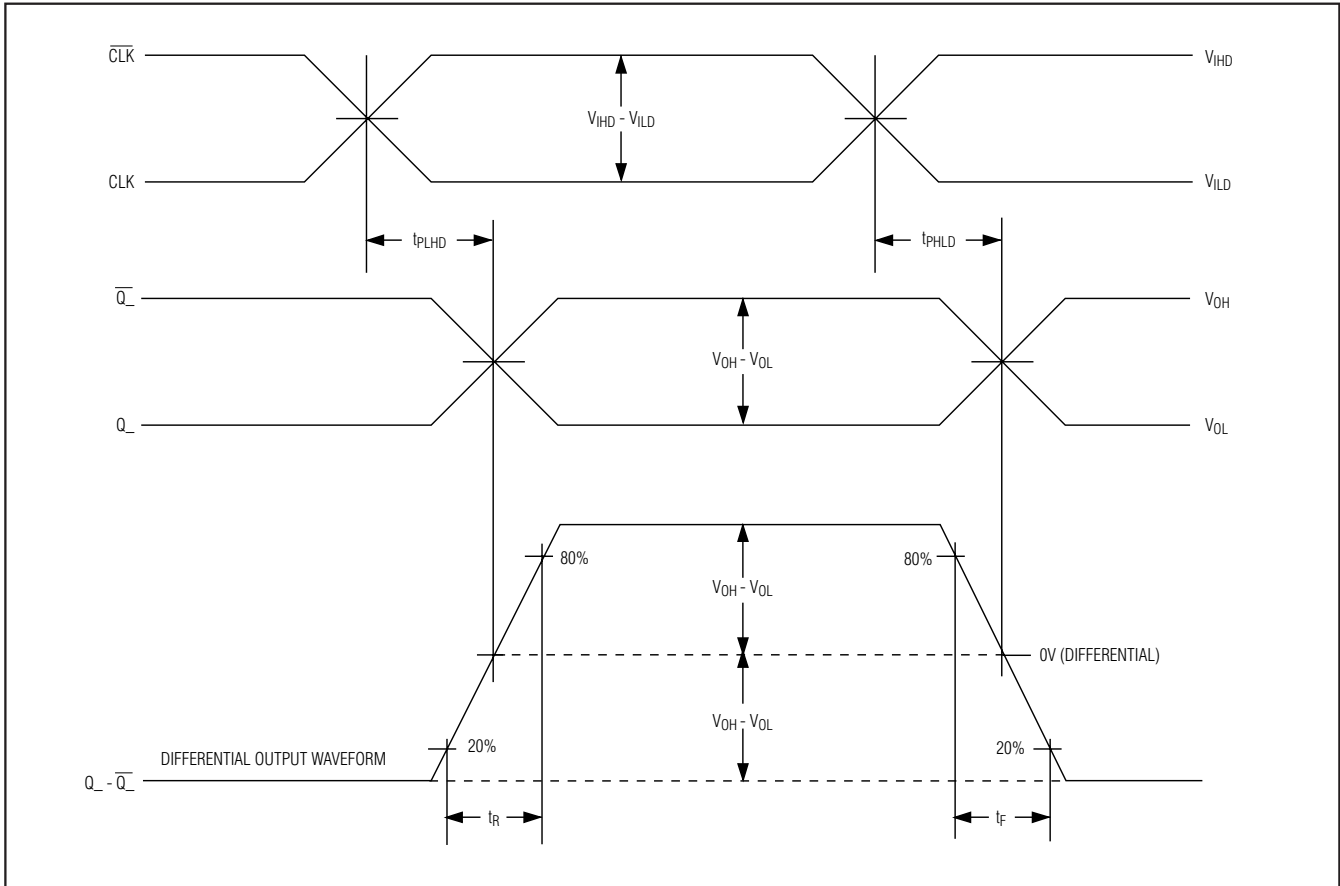


Figure 2. Differential Input ($CLK_$, $\overline{CLK}_$) to Output ($Q_$, $\overline{Q}_$) Delay Timing Diagram

2:8 Differential LVPECL/LVECL/HSTL Clock and Data Driver

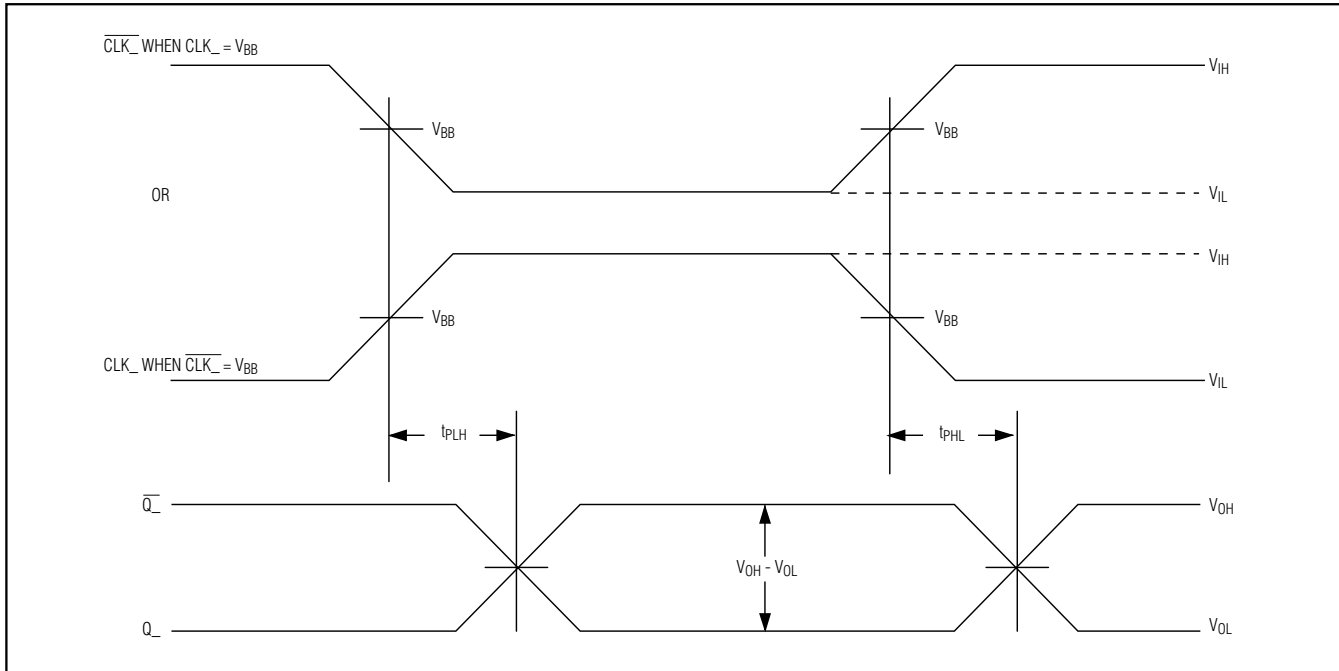


Figure 3. Single-Ended Input (CLK_, CLK_) to Output (Q_, Q_) Delay Timing Diagram

Detailed Description

The MAX9325 low-skew, 2:8 differential driver features extremely low output-to-output skew (50ps max) and part-to-part skew (225ps max). These features make the device ideal for clock and data distribution across a backplane or board. The device selects one of the two differential HSTL or LVECL/LVPECL inputs, and repeats them at eight differential outputs. Outputs are compatible with LVECL and LVPECL, and can directly drive 50Ω terminated transmission lines.

A 2:1 mux selects between the two differential inputs, CLK0, CLK0 and CLK1, CLK1. The 2:1 mux is switched by the single-ended CLK_SEL input. A logic low selects the CLK0, CLK0 input. A logic high selects the CLK1, CLK1 input. The logic threshold for CLK_SEL is set by an internal V_BB voltage reference. The selected input is reproduced at eight differential outputs at speeds up to 700MHz.

The differential inputs can be configured to accept a single-ended signal when the unused complementary input is connected to the on-chip reference output voltage (V_BB). A single-ended input of at least V_BB ±95mV or a differential input of at least 95mV switches the outputs to the V_OH and V_OL levels specified in the DC Electrical Characteristics. The maximum magnitude of the differential input from CLK_ to CLK_ is ±3.0V or

±(V_CC - V_EE), whichever is less. This limit also applies to the difference between a single-ended input and any reference voltage input.

The single-ended CLK_SEL input has a 75kΩ pulldown to V_EE that selects the default input, CLK0, CLK0, when CLK_SEL is left open or at V_EE. All the differential inputs have 105kΩ pulldowns to V_EE. Internal pulldowns and a fail-safe circuit ensure differential low default outputs when the inputs are left open or at V_EE.

Specifications for the high and low voltages of a differential input (V_IHD and V_ILD) and the differential input voltage (V_IHD - V_ILD) apply simultaneously.

For interfacing to differential HSTL and LVPECL signals, these devices operate over a +2.375V to +3.8V supply range, allowing high-performance clock or data distribution in systems with a nominal +2.5V or +3.3V supply. For differential LVECL operation, these devices operate from a -2.375V to -3.8V supply.

Single-Ended Operation

CLK_SEL is a single-ended input with the input threshold internally set to V_BB, and can be driven to V_CC or V_EE or by a single-ended LVPECL/LVECL signal. The CLK_, CLK_ are differential inputs but can be configured to accept single-ended inputs when operating at supply voltages greater than 2.58V. The recommended supply voltage for single-ended operation is 3.0V to 3.8V. A dif-

2:8 Differential LVPECL/LVECL/HSTL Clock and Data Driver

Differential input is configured for single-ended operation by connecting the on-chip reference voltage, V_{BB} , to an unused complementary input as a reference. For example, the differential CLK_0 , \overline{CLK}_0 input is converted to a noninverting, single-ended input by connecting V_{BB} to \overline{CLK}_0 and connecting the single-ended input to CLK_0 . Similarly, an inverting input is obtained by connecting V_{BB} to CLK_0 and connecting the single-ended input to \overline{CLK}_0 . With a differential input configured as single-ended (using V_{BB}), the single-ended input can be driven to V_{CC} or V_{EE} or with a single-ended LVPECL/LVECL signal.

When configuring a differential input as a single-ended input, a user must ensure that the supply voltage ($V_{CC} - V_{EE}$) is greater than 2.58V. This is because the input high minimum level must be at ($V_{EE} + 1.2V$) or higher for proper operation. The reference voltage V_{BB} must be at least ($V_{EE} + 1.2V$) or higher for the same reason because it becomes the high-level input when the other single-ended input swings below it. The minimum V_{BB} output for the MAX9325 is ($V_{CC} - 1.38V$). Substituting the minimum V_{BB} output for ($V_{BB} = V_{EE} + 1.2V$) results in a minimum supply ($V_{CC} - V_{EE}$) of 2.58V. Rounding up to standard supplies gives the single-ended operating supply ranges ($V_{CC} - V_{EE}$) of 3.0V to 3.8V for the MAX9325.

When using the V_{BB} reference output, bypass it with a $0.01\mu F$ ceramic capacitor to V_{CC} . If not used, leave it open. The V_{BB} reference can source or sink 0.5mA, which is sufficient to drive two inputs.

Applications Information

Output Termination

Terminate the outputs through 50Ω to ($V_{CC} - 2V$) or use equivalent Thevenin terminations. Terminate each Q and \overline{Q} output with identical termination on each for low output distortion. When a single-ended signal is taken from the differential output, terminate both Q_+ and Q_- .

Ensure that output currents do not exceed the current limits as specified in the *Absolute Maximum Ratings* table. Under all operating conditions, the device's total thermal limits should be observed.

Supply Bypassing

Bypass each V_{CC} to V_{EE} with high-frequency surface-mount ceramic $0.1\mu F$ and $0.01\mu F$ capacitors. Place the capacitors as close to the device as possible with the $0.01\mu F$ capacitor closest to the device pins.

Use multiple vias when connecting the bypass capacitors to ground. When using the V_{BB} reference output, bypass it with a $0.01\mu F$ ceramic capacitor to V_{CC} . If the V_{BB} reference is not used, it can be left open.

Traces

Circuit board trace layout is very important to maintain the signal integrity of high-speed differential signals. Maintaining integrity is accomplished in part by reducing signal reflections and skew, and increasing common-mode noise immunity.

Signal reflections are caused by discontinuities in the 50Ω characteristic impedance of the traces. Avoid discontinuities by maintaining the distance between differential traces, not using sharp corners or using vias. Maintaining distance between the traces also increases common-mode noise immunity. Reducing signal skew is accomplished by matching the electrical length of the differential traces.

Exposed-Pad Package

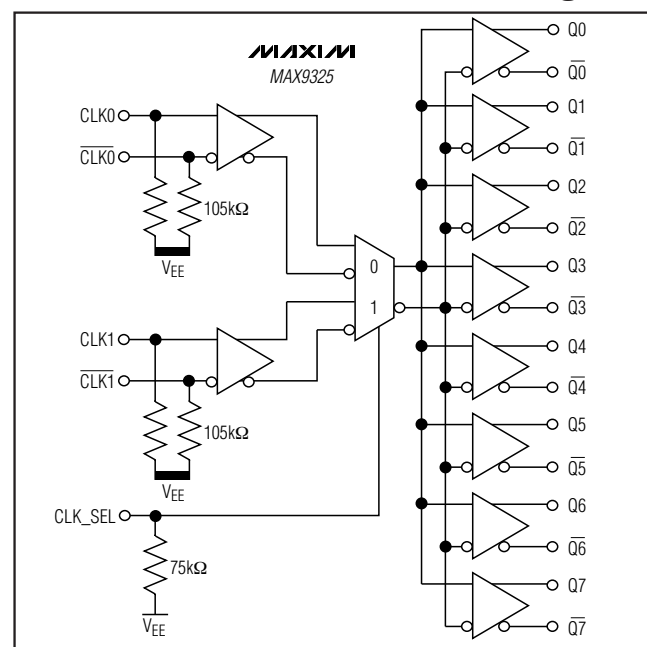
The 28-lead QFN package (MAX9325EG1) has the exposed paddle on the bottom of the package that provides the primary heat removal path from the IC to the PC board, as well as excellent electrical grounding to the PC board. **The MAX9325EG1's exposed pad is internally connected to V_{EE} . Do not connect the exposed pad to a separate circuit ground plane unless V_{EE} and the circuit ground are the same.**

Chip Information

TRANSISTOR COUNT: 1030

PROCESS: Bipolar

Functional Diagram



2:8 Differential LVPECL/LVECL/HSTL Clock and Data Driver

Package Information

(The package drawing(s) in this data sheet may not reflect the most current specifications. For the latest package outline information, go to www.maxim-ic.com/packages.)

MAX9325

	INCHES		MILLIMETERS	
	MIN	MAX	MIN	MAX
A	0.165	0.180	4.20	4.57
A1	0.090	0.120	2.29	3.04
A2	0.145	0.156	3.69	3.96
A3	0.020	---	0.51	---
B	0.013	0.021	0.33	0.53
B1	0.026	0.032	0.66	0.81
C	0.009	0.011	0.23	0.28
e	0.050		1.27	

	INCHES		MILLIMETERS		N	MO047
	MIN	MAX	MIN	MAX		
D	0.385	0.395	9.78	10.03	20	AA
D1	0.350	0.356	8.89	9.04		
D2	0.290	0.330	7.37	8.38		
D3	0.200	REF	5.08	REF		

D	0.485	0.495	12.32	12.57	28	AB
D1	0.450	0.456	11.43	11.58		
D2	0.390	0.430	9.91	10.92		
D3	0.300	REF	7.62	REF		

D	0.685	0.695	17.40	17.65	44	AC
D1	0.650	0.656	16.51	16.66		
D2	0.590	0.630	14.99	16.00		
D3	0.500	REF	12.70	REF		

D	0.785	0.795	19.94	20.19	52	AD
D1	0.750	0.756	19.05	19.20		
D2	0.690	0.730	17.53	18.54		
D3	0.600	REF	15.24	REF		

D	0.985	0.995	25.02	25.27	68	AE
D1	0.950	0.958	24.13	24.33		
D2	0.890	0.930	22.61	23.62		
D3	0.800	REF	20.32	REF		

NOTES:

1. D1 DOES NOT INCLUDE MOLD FLASH.
2. MOLD FLASH OR PROTRUSIONS NOT TO EXCEED .20mm (.008") PER SIDE.
3. LEADS TO BE COPLANAR WITHIN .10mm.
4. CONTROLLING DIMENSION: MILLIMETER
5. MEETS JEDEC MO047-XX AS SHOWN IN TABLE.
6. N = NUMBER OF PINS.

PROPRIETARY INFORMATION

TITLE: FAMILY PACKAGE OUTLINE:
20L, 28L, 44L, 52L, 68L PLCC

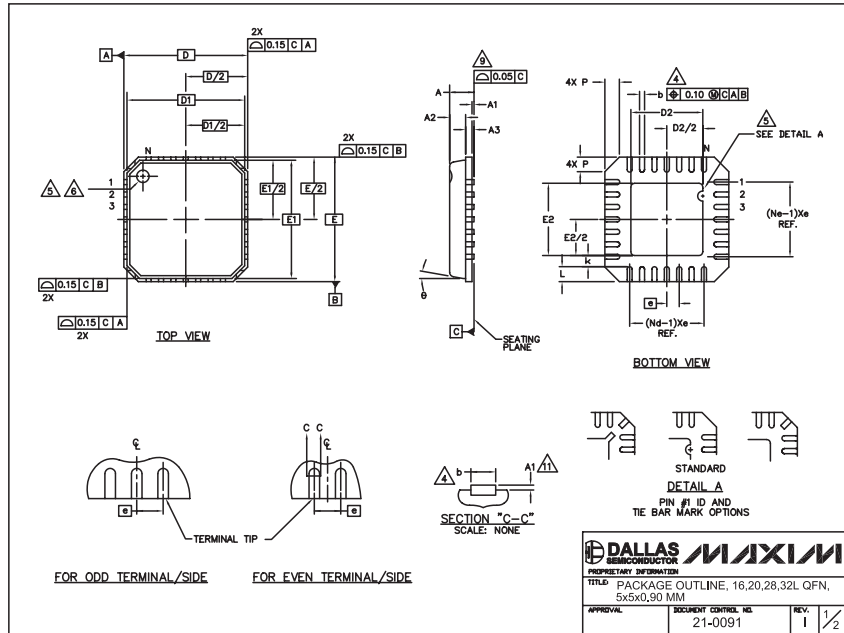
APPROVAL	DOCUMENT CONTROL NO. 21-0049	REV. D	1/1
----------	---------------------------------	-----------	-----

PLCC-EPS

2:8 Differential LVPECL/LVECL/HSTL Clock and Data Driver

Package Information (continued)

(The package drawing(s) in this data sheet may not reflect the most current specifications. For the latest package outline information, go to www.maxim-ic.com/packages.)



COMMON DIMENSIONS												
PKG	16L 5x5			20L 5x5			28L 5x5			32L 5x5		
SYMBOL	MIN.	NOM.	MAX.	MIN.	NOM.	MAX.	MIN.	NOM.	MAX.	MIN.	NOM.	MAX.
A	0.80	0.90	1.00	0.80	0.90	1.00	0.80	0.90	1.00	0.80	0.90	1.00
A1	0.00	0.01	0.05	0.00	0.01	0.05	0.00	0.01	0.05	0.00	0.01	0.05
A2	0.00	0.65	1.00	0.00	0.65	1.00	0.00	0.65	1.00	0.00	0.65	1.00
A3	0.20 REF			0.20 REF			0.20 REF			0.20 REF		
b	0.28	0.33	0.40	0.23	0.28	0.35	0.18	0.23	0.30	0.18	0.23	0.30
D	4.90	5.00	5.10	4.90	5.00	5.10	4.90	5.00	5.10	4.90	5.00	5.10
D1	4.75 BSC			4.75 BSC			4.75 BSC			4.75 BSC		
E	4.90	5.00	5.10	4.90	5.00	5.10	4.90	5.00	5.10	4.90	5.00	5.10
E1	4.75 BSC			4.75 BSC			4.75 BSC			4.75 BSC		
e	0.80 BSC			0.65 BSC			0.50 BSC			0.50 BSC		
k	0.25	-	-	0.25	-	-	0.25	-	-	0.25	-	-
L	0.35	0.55	0.75	0.35	0.55	0.75	0.35	0.55	0.75	0.30	0.40	0.50
N	16			20			28			32		
ND	4			5			7			8		
NE	4			5			7			8		
P	0.00	0.42	0.60	0.00	0.42	0.60	0.00	0.42	0.60	0.00	0.42	0.60
ø	0"			12"			0"			12"		

EXPOSED PAD VARIATIONS								
PKG CODES	B2			E2				
	MIN.	NOM.	MAX.	MIN.	NOM.	MAX.		
G1655-3	2.95	3.10	3.25	2.95	3.10	3.25		
G2055-1	2.85	2.70	2.85	2.55	2.70	2.85		
G2055-2	2.95	3.10	3.25	2.95	3.10	3.25		
G2855-1	2.55	2.70	2.85	2.55	2.70	2.85		
G2855-2	2.95	3.10	3.25	2.95	3.10	3.25		
G3255-1	2.95	3.10	3.25	2.95	3.10	3.25		

NOTES:

- DIE THICKNESS ALLOWABLE IS 0.305mm MAXIMUM (.012 INCHES MAXIMUM)
- DIMENSIONING & TOLERANCES CONFORM TO ASME Y14.5M. - 1994.
- N IS THE NUMBER OF TERMINALS.
- Nd IS THE NUMBER OF TERMINALS IN X-DIRECTION & Ne IS THE NUMBER OF TERMINALS IN Y-DIRECTION.
- △ DIMENSION b APPLIES TO PLATED TERMINAL AND IS MEASURED BETWEEN 0.20 AND 0.25mm FROM TERMINAL TIP.
- △ THE PIN #1 IDENTIFIER MUST BE EXISTED ON THE TOP SURFACE OF THE PACKAGE BY USING INDENTATION MARK OR INK/LASER MARKED. DETAILS OF PIN #1 IDENTIFIER IS OPTIONAL, BUT MUST BE LOCATED WITHIN ZONE INDICATED.
- △ EXACT SHAPE AND SIZE OF THIS FEATURE IS OPTIONAL.
- ALL DIMENSIONS ARE IN MILLIMETERS.
- PACKAGE WARPAGE MAX 0.05mm.
- △ APPLIED FOR EXPOSED PAD AND TERMINALS. EXCLUDE EMBEDDED PART OF EXPOSED PAD FROM MEASURING.
- MEETS JEDEC MO220; EXCEPT DIMENSION "b".
- △ APPLIED FOR EXPOSED PAD AND TERMINALS. EXCLUDE EMBEDDING PART OF EXPOSED PAD FROM MEASURING.
- THIS PACKAGE OUTLINE APPLIES TO ANVIL SINGULATION (STEPPED SIDES).

DALLAS MAXIM SEMICONDUCTOR

PROPRIETARY INFORMATION

TITLE: PACKAGE OUTLINE, 16,20,28,32L QFN, 5x5x0,90 MM

APPROVAL: DOCUMENT CONTROL NO. 21-0091 REV. 1 2/2

Maxim cannot assume responsibility for use of any circuitry other than circuitry entirely embodied in a Maxim product. No circuit patent licenses are implied. Maxim reserves the right to change the circuitry and specifications without notice at any time.

12 **Maxim Integrated Products, 120 San Gabriel Drive, Sunnyvale, CA 94086 408-737-7600**