



Chipsmall Limited consists of a professional team with an average of over 10 year of expertise in the distribution of electronic components. Based in Hongkong, we have already established firm and mutual-benefit business relationships with customers from,Europe,America and south Asia,supplying obsolete and hard-to-find components to meet their specific needs.

With the principle of “Quality Parts,Customers Priority,Honest Operation,and Considerate Service”,our business mainly focus on the distribution of electronic components. Line cards we deal with include Microchip,ALPS,ROHM,Xilinx,Pulse,ON,Everlight and Freescale. Main products comprise IC,Modules,Potentiometer,IC Socket,Relay,Connector.Our parts cover such applications as commercial,industrial, and automotives areas.

We are looking forward to setting up business relationship with you and hope to provide you with the best service and solution. Let us make a better world for our industry!



## Contact us

Tel: +86-755-8981 8866 Fax: +86-755-8427 6832

Email & Skype: info@chipsmall.com Web: www.chipsmall.com

Address: A1208, Overseas Decoration Building, #122 Zhenhua RD., Futian, Shenzhen, China



# Differential Video Interface Chipset

## General Description

The MAX9546/MAX9547 differential interface chipset converts single-ended voltages to differential voltages for transport and then converts back to single-ended voltages. These devices eliminate costly, bulky, single-ended coaxial cables with inexpensive, readily available, differential shielded (ScTP) or unshielded (UTP) twisted pairs. The fault detection of the MAX9546 and loss-of-signal detection of the MAX9547 allow proactive and speedy diagnosis, such as identifying failures in the manufacturing stage and troubleshooting equipment at repair facilities. The MAX9546/MAX9547 are low-cost, convenient solutions for transporting CVBS/FBAS analog video signals (PAL or NTSC) through hostile environments.

The MAX9546 driver converts the single-ended input into a differential output with a 6dB fixed gain to drive a back-terminated, DC-coupled differential video output to unity gain. This DC connection allows the detection of a short-circuit condition at the differential outputs. The FAULT output indicates a short-circuit condition including a short to a high battery condition ( $V_{BAT} = +16V$ ) or ground.

The MAX9547 receiver converts the differential signal from the MAX9546 into a single-ended signal. Like the MAX9546 output, the MAX9547 input survives a short to a high battery condition or ground. The MAX9547 receiver loss-of-signal output (LOS) operates by detecting the H-Sync and thus can support both monochrome and color video signals. The MAX9547 gain is set with an external impedance between ZT+ and ZT-.

The MAX9546/MAX9547 operate from a 7.5V to 10V single supply. Both devices include  $\pm 15kV$  ESD Human Body Model (HBM) protection. The MAX9546/MAX9547 are offered in a thermally enhanced 8-pin SO package and specified over the  $-40^{\circ}C$  to  $+85^{\circ}C$  extended temperature range.

## Applications

- Automotive Video
- Car Navigation
- In-Car Entertainment
- Collision Avoidance/Rearview Cameras
- Security/CCTV Video
- Avionics/In-Flight Entertainment

## Features

- ◆ Fault Detection (MAX9546)
- ◆ Loss-of-Signal Detection (MAX9547)
- ◆ Tolerate  $\pm 2V$  Ground-Level Shift between Source and Load
- ◆  $\pm 15kV$  ESD Protection (Human Body Model)
- ◆  $\pm 8kV$ —IEC 1000-4-2 Contact Discharge
- ◆  $\pm 15kV$ —IEC 1000-4-2 Air-Gap Discharge
- ◆ Preset 6dB Gain (MAX9546)
- ◆ Variable Receiver Gain (MAX9547)
- ◆ 7.5V to 10V Single-Supply Operation

## Ordering Information

PART	PIN-PACKAGE	PKG CODE	DESCRIPTION
MAX9546ESA+	8 SO-EP*	S8E-14	Driver
MAX9547ESA+	8 SO-EP*	S8E-14	Receiver

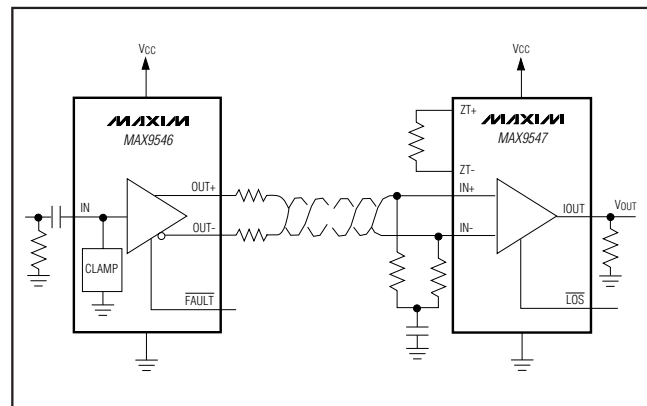
**Note:** These devices are specified for  $-40^{\circ}C$  to  $+85^{\circ}C$  temperature range.

+Denotes a lead-free package.

\*EP = Exposed paddle.

Pin Configuration appears at end of data sheet.

## Typical Operating Circuit



# Differential Video Interface Chipset

## ABSOLUTE MAXIMUM RATINGS

(Voltages are referenced GND.)

V <sub>CC</sub> to GND	-0.3V to +11V
IN and $\overline{\text{FAULT}}$ (MAX9546)	-0.3V to (V <sub>CC</sub> + 0.3V)
OUT+, OUT- (MAX9546) (Note 1)	-2V to +16V
$\overline{\text{FAULT}}$ Short-Circuit Duration to V <sub>CC</sub> or GND (MAX9546)	Continuous
IN+, IN- (MAX9547) (Note 1)	-2V to +16V
IOUT, $\overline{\text{LOS}}$ , ZT+, ZT- (MAX9547)	-0.3V to (V <sub>CC</sub> + 0.3V)
Differential Input Voltage (V <sub>IN+</sub> - V <sub>IN-</sub> ) (MAX9547)	+5V

IOUT, $\overline{\text{LOS}}$ Short-Circuit Duration to V <sub>CC</sub> or GND (MAX9547)	Continuous
Continuous Power Dissipation (T <sub>A</sub> = +70°C) 8-Pin SO-EP (derate 24.4mW/°C above +70°C)	1951.2mW
θ <sub>JC</sub> (Note 2)	7.0°C/W
θ <sub>JA</sub>	41.0°C/W
Operating Temperature Range	-40°C to +85°C
Junction Temperature	+150°C
Storage Temperature Range	-65°C to +150°C
Lead Temperature (soldering, 10s)	+300°C

**Note 1:** The Absolute Maximum Ratings of OUT+/OUT- for the MAX9546 and IN+/IN- for the MAX9547 are based on a single-fault condition, i.e. only one output of MAX9546 (or both outputs together) is shorted to the battery, V<sub>CC</sub> or GND. The devices will not survive a double-fault condition, i.e. OUT+ and OUT- shorted to different supplies.

**Note 2:** Package thermal resistances were obtained using the method described in JEDEC specification JESD51-7, using a 4-layer board. For detailed information on package thermal considerations see [www.maxim-ic.com/thermal-tutorial](http://www.maxim-ic.com/thermal-tutorial).

Stresses beyond those listed under "Absolute Maximum Ratings" may cause permanent damage to the device. These are stress ratings only, and functional operation of the device at these or any other conditions beyond those indicated in the operational sections of the specifications is not implied. Exposure to absolute maximum rating conditions for extended periods may affect device reliability.

## DC ELECTRICAL CHARACTERISTICS—MAX9546

(V<sub>CC</sub> = +8.5V, R<sub>L</sub> = 220Ω between OUT+ and OUT-, T<sub>A</sub> = -40°C to +85°C. Typical values are at T<sub>A</sub> = +25°C, unless otherwise noted.) (Note 3)

PARAMETER	SYMBOL	CONDITIONS	MIN	TYP	MAX	UNITS
Supply Voltage Range	V <sub>CC</sub>	Guaranteed by PSRR	7.5	8.5	10.0	V
Quiescent Supply Current	I <sub>CC</sub>	No load		64	112	mA
Voltage Gain	A <sub>V</sub>	V <sub>IN</sub> = 1.2V <sub>P-P</sub> (Note 4)	1.8	2	2.2	V/V
Input-Voltage Swing	V <sub>IN</sub>	Guaranteed by A <sub>V</sub>			1.2	V <sub>P-P</sub>
Input Clamp Voltage	V <sub>CLMP</sub>	(Note 5)		3.46		V
Input Clamp Current	I <sub>CLMP</sub>	(Note 5)		7	13	μA
Input Resistance	R <sub>IN</sub>	(Notes 5, 6)		500		kΩ
Output Common-Mode Voltage	V <sub>COM</sub>		3.0	3.25	3.4	V
Output Impedance	R <sub>OUT</sub>			0.1		Ω
Output Fault Current	I <sub>F(OUT)</sub>	OUT+ and/or OUT- to +16V		9		mA
		OUT+ and/or OUT- to + (V <sub>CC</sub> - 2V)		2		
		OUT+ and/or OUT- to +2V		4		
		OUT+ and/or OUT- to -2V		7		
		OUT+ and/or OUT- to +16V, V <sub>CC</sub> unconnected		6		
		OUT+ or OUT- to -2V, V <sub>CC</sub> unconnected		24		
Power-Supply Rejection Ratio	PSRR	V <sub>CC</sub> from 7.5V to 10V (Note 7)	Differential mode	45	62	dB
		Common mode	46	52		
$\overline{\text{FAULT}}$ Output Logic Level		V <sub>OL</sub> , I <sub>SINK</sub> = 1.6mA (Note 8)			0.4	V
$\overline{\text{FAULT}}$ Output Leakage Current				0.01		μA

# Differential Video Interface Chipset

MAX9546/MAX9547

## AC ELECTRICAL CHARACTERISTICS—MAX9546

( $V_{CC} = +8.5V$ ,  $R_L = 220\Omega$  across  $OUT+$  and  $OUT-$ ,  $T_A = -40^\circ C$  to  $+85^\circ C$ . Typical values are at  $T_A = +25^\circ C$ , unless otherwise noted.) (Note 3)

PARAMETER	SYMBOL	CONDITIONS	MIN	TYP	MAX	UNITS
Large-Signal Bandwidth		$V_{IN} = 1V_{P-P}$ , $-3dB$		18		MHz
Large-Signal Flatness		$V_{IN} = 1V_{P-P}$ , $\pm 0.5dB$		15		MHz
Slew Rate	SR	$OUT+ - OUT-$		70		V/ $\mu s$
Settling Time (0.1%)	$t_{SETTLING}$	$V_{IN} = 1V_{P-P}$		400		ns
Power-Supply Rejection Ratio	PSRR	$f = 100kHz$ , 100mV <sub>P-P</sub> ripple		63		dB
Common-Mode Balance (Note 9)	CMB	$f = 100kHz$		55		dB
		$f = 3.58MHz$		39		
Droop		Guaranteed by input current		1		%
Differential Gain	DG	(Note 10)		1.37		%
Differential Phase	DP	(Note 10)		0.14		degrees
SNR (dB <sub>RMS</sub> )	SNR	(Note 10)		-62		dB
2T Pulse to Bar Rating		(Note 10)		-0.22		%KF
2T Pulse Response		(Note 10)		0.30		%KF
Group Delay	D/dt	At 3.58MHz (Note 10)		2.20		ns
Horizontal Tilt		(Notes 10, 15)		0		%
Vertical Tilt		(Notes 10, 15)		6.62		%

## DC ELECTRICAL CHARACTERISTICS—MAX9547

( $V_{CC} = +8.5V$ ,  $GND = 0V$ ,  $R_L = 75\Omega$ ,  $Z_{T} = 75\Omega$ ,  $T_A = -40^\circ C$  to  $+85^\circ C$ . Typical values are at  $T_A = +25^\circ C$ .) (Note 3)

PARAMETER	SYMBOL	CONDITIONS	MIN	TYP	MAX	UNITS
Supply Voltage Range	$V_{CC}$	Guaranteed by PSRR	7.5	8.5	10.0	V
Supply Current	$I_{CC}$			70	110	mA
Differential Input Voltage Range $I_{IN+} - I_{IN-}$	$V_{IN(P-P)}$	Guaranteed by CMRR (Note 11)			1.2	$V_{P-P}$
Common-Mode Input Voltage Range	$V_{COM}$	Guaranteed by CMRR (Note 11)	1.0		5.4	V
Input Current	$I_{IN}$			6	30	$\mu A$
Input Offset Current	$\Delta I_{IN}$			1	4.2	$\mu A$
Input Resistance	$R_{IN}$	Differential		80		$k\Omega$
Voltage Gain	$A_V$	$V_{IN(P-P)} = 1.2V$ , defined as $I_{OUT} \times (R_L / V_{IN})$	0.90	1	1.15	V/V
Output Voltage	$V_{OB}$	$I_{N+} = I_{N-} = 3.2V$		1		V
Output Voltage Swing	$V_{OUT}$				1.2	$V_{P-P}$
Maximum Output Current	$I_{OUT}$	$V_{IN} = 1V$ , $Z_T = 0$		21		mA
Power-Supply Rejection Ratio	PSRR	$V_{CC}$ from 7.5V to 10V	26	34		dB
Common-Mode Rejection Ratio	CMRR	$1V \leq V_{COM} \leq 5.4V$	42	54		dB
		$2V \leq V_{COM} \leq 4.4V$	46	70		

# Differential Video Interface Chipset

## DC ELECTRICAL CHARACTERISTICS—MAX9547 (continued)

( $V_{CC} = +8.5V$ ,  $GND = 0V$ ,  $R_L = 75\Omega$ ,  $Z_{ZT} = 75\Omega$ ,  $T_A = -40^\circ C$  to  $+85^\circ C$ . Typical values are at  $T_A = +25^\circ C$ .) (Note 3)

PARAMETER	SYMBOL	CONDITIONS	MIN	TYP	MAX	UNITS
LOS Logic Level		$V_{OL}$ , $I_{SINK} = 1.6mA$ (Note 12)			0.4	V
LOS Leakage Current				0.01		$\mu A$
Input Fault Current	$I_F$	IN+ and/or IN- to +16V, $R_{T1} + R_{T2} = 110\Omega$		50		mA
		IN+ and/or IN- to -2V, $R_{T1} + R_{T2} = 110\Omega$		10		
		IN+ and/or IN- to +16V, $V_{CC}$ unconnected, $R_{T1} + R_{T2} = 110\Omega$		72		
		IN+ and/or IN- to -2V, $V_{CC}$ unconnected, $R_{T1} + R_{T2} = 110\Omega$		10		

## AC ELECTRICAL CHARACTERISTICS—MAX9547

( $V_{CC} = +8.5V$ ,  $GND = 0V$ ,  $R_L = 75\Omega$ ,  $Z_{ZT} = 75\Omega$ ,  $C_L = 50pF$ ,  $T_A = -40^\circ C$  to  $+85^\circ C$ . Typical values are at  $T_A = +25^\circ C$ .) (Note 3)

PARAMETER	SYMBOL	CONDITIONS	MIN	TYP	MAX	UNITS
Large-Signal Bandwidth		$V_{IN} = 1V_{P-P}$ , -3dB		20		MHz
Large-Signal Flatness		$V_{IN} = 1V_{P-P}$ , $\pm 0.5dB$		15		MHz
Slew Rate	SR			50		V/ $\mu s$
Settling Time (0.1%)	$t_{SETTLING}$			400		ns
Power-Supply Rejection Ratio	PSRR	$f = 100kHz$ , 100mV <sub>P-P</sub> ripple		30		dB
Common-Mode Rejection Ratio	CMRR	$f = 100kHz$ , 100mV <sub>P-P</sub> ripple		53		dB
LOS Timeout Period	$t_{LOS}$			760		$\mu s$
Differential Gain	DG	(Notes 13, 14)		2.65		%
Differential Phase	DP	(Notes 13, 14)		0.57		degrees
SNR (dB <sub>RMS</sub> )	SNR	(Notes 13, 14)		-72		dB
2T Pulse to Bar Rating		(Notes 13, 14)		-0.06		%KF
2T Pulse Response		(Notes 13, 14)		0.40		%KF
Group Delay	D/dt	At 3.58MHz (Notes 13, 14)		0		ns
Horizontal Tilt		(Notes 13, 14, 15)		0.10		%
Vertical Tilt		(Notes 13, 14, 15)		1.16		%

# Differential Video Interface Chipset

MAX9546/MAX9547

## AC ELECTRICAL CHARACTERISTICS—MAX9546 Driving MAX9547

( $V_{CC} = +8.5V$ ,  $R_L = 220\Omega$  across  $OUT+$  and  $OUT-$ ,  $R_L = 75\Omega$  (MAX9547),  $Z_{ZT} = 75\Omega$ ,  $T_A = -40^\circ C$  to  $+85^\circ C$ . Typical values are at  $T_A = +25^\circ C$ , unless otherwise noted.) (Note 3)

PARAMETER	SYMBOL	CONDITIONS	MIN	TYP	MAX	UNITS
Differential Gain	DG			3.8		%
Differential Phase	DP			0.6		degrees
Signal-to-Noise Ratio	SNR	5MHz lowpass, 100kHz highpass, $V_{IN} = 1V_{P-P}$		80		dB
2T Pulse-to-Bar Rating		2T = 250ns, bar time is 18 $\mu s$ , the beginning 3.5% and the ending 3.5% of the bar time is ignored		0.2		%
2T Pulse Response		2T = 250ns		0.25		%
Group Delay	D/dt	At 3.58MHz		10		ns
Horizontal Tilt		(Note 15)		0.12		%
Vertical Tilt		(Note 15)		0.26		%

**Note 3:** All devices are 100% production tested at  $T_A = +25^\circ C$ . All temperature limits are guaranteed by design.

**Note 4:** Defined as differential output to single-ended input.

**Note 5:** Input is AC-coupled.

**Note 6:** The RC time constant (3Hz) formed by the source resistance ( $R_S$ ) and coupling capacitor ( $C_{IN}$ ) is usually used for lead compensation of the active clamp. The source resistance is 400 $\Omega$  max. The clamp should remain stable in this condition.

**Note 7:** Differential mode is measured as  $(OUT+ - OUT-)$ . Common mode is measured as  $\frac{OUT+ + OUT-}{2}$ .

**Note 8:** A fault is when the outputs both sink and source current and the amount of extra current sink or source is greater than 3mA.

**Note 9:** Common-mode balance is measured as  $20\log\left(\frac{OUT+ - OUT-}{\frac{OUT+ + OUT-}{2}}\right)$ .

**Note 10:** These results were measured with a MAX4144 receiver, other receivers may affect results.

**Note 11:** Ground between MAX9546 and MAX9547 can be a  $\pm 2V$  difference.

**Note 12:** A loss-of-signal is when the input video signal of the MAX9547 does not change (cross 100mV level from sync tip) for 10 video lines.

**Note 13:** These results were measured with a MAX4447 transmitter and a MAX4012 buffer amplifier with a gain of 4. Using other devices may affect results.

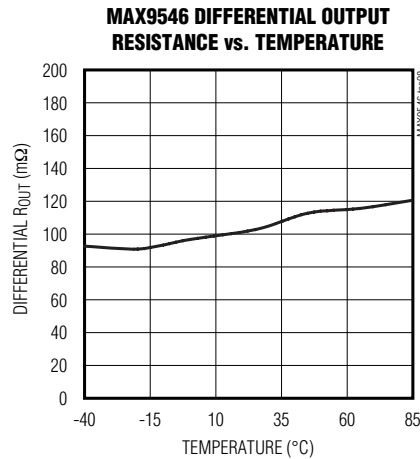
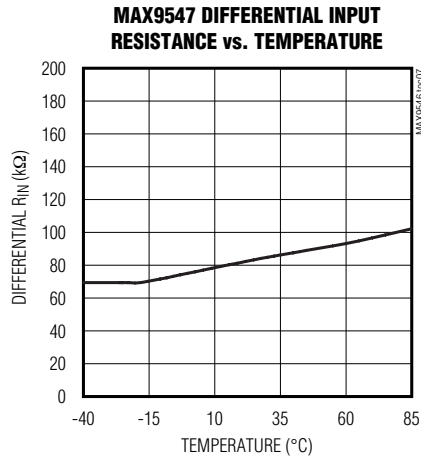
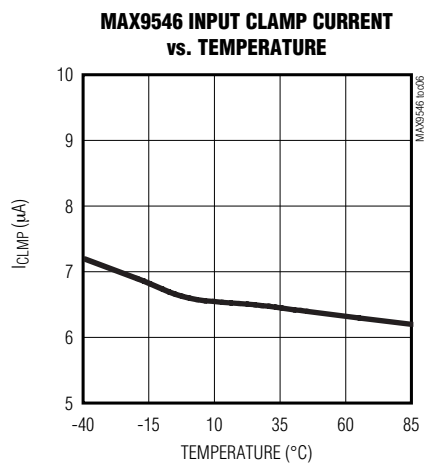
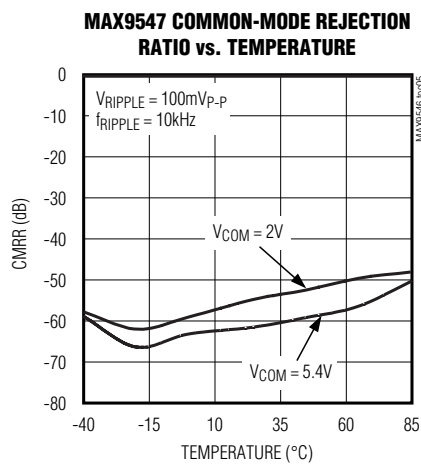
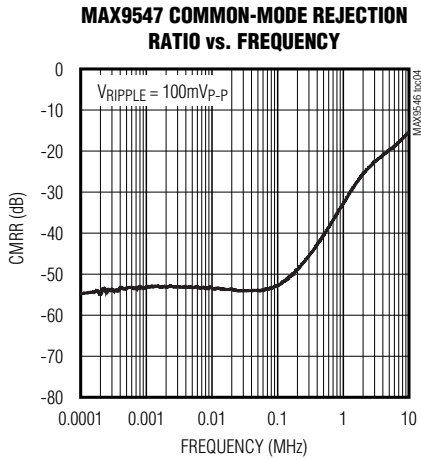
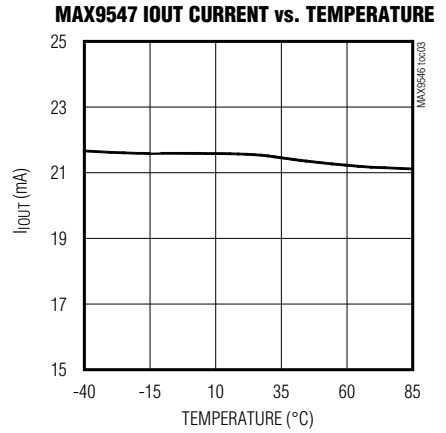
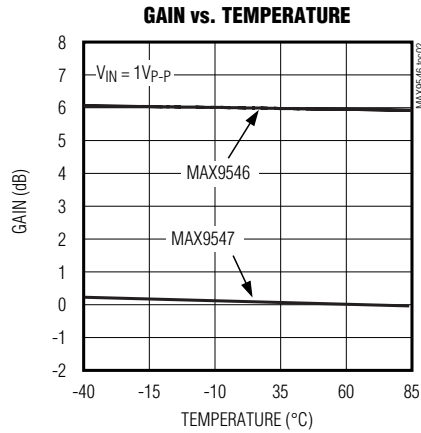
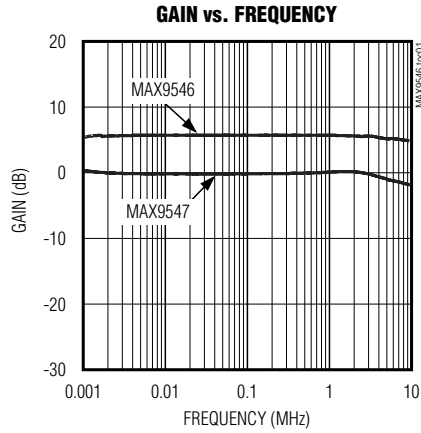
**Note 14:** MAX9547 topology shown in Figure 3.

**Note 15:** Input capacitor for this test is 0.33 $\mu F$ .

# Differential Video Interface Chipset

## Typical Operating Characteristics

( $V_{CC} = +8.5V$ ,  $R_L = 220\Omega$  between  $OUT+$  and  $OUT-$ ,  $R_L = 75\Omega$  (MAX9547),  $Z_{ZT} = 75\Omega$ ,  $T_A = +25^\circ C$ , unless otherwise noted.)

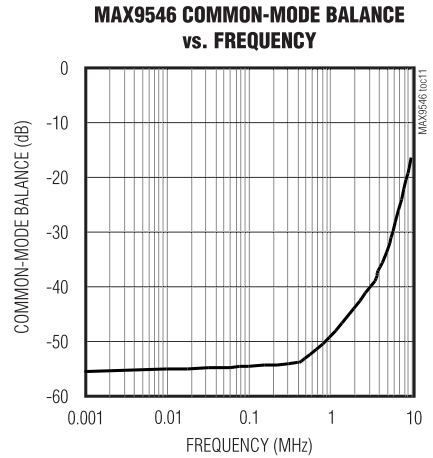
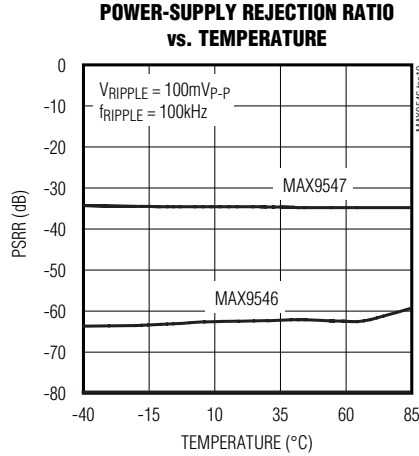
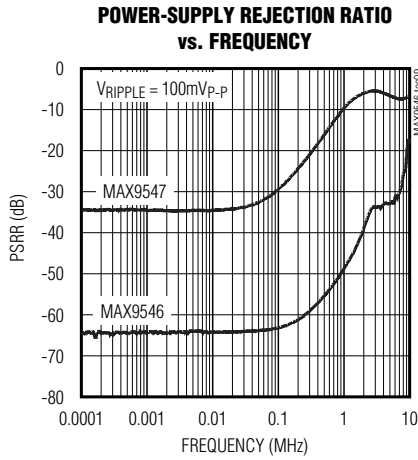


# Differential Video Interface Chipset

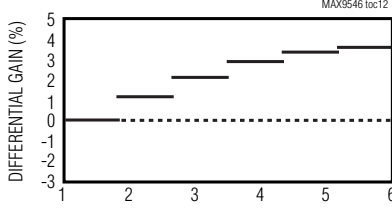
## Typical Operating Characteristics (continued)

( $V_{CC} = +8.5V$ ,  $R_L = 220\Omega$  between  $OUT+$  and  $OUT-$ ,  $R_L = 75\Omega$  (MAX9547),  $Z_{T} = 75\Omega$ ,  $T_A = +25^\circ C$ , unless otherwise noted.)

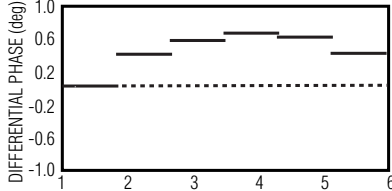
MAX9546/MAX9547



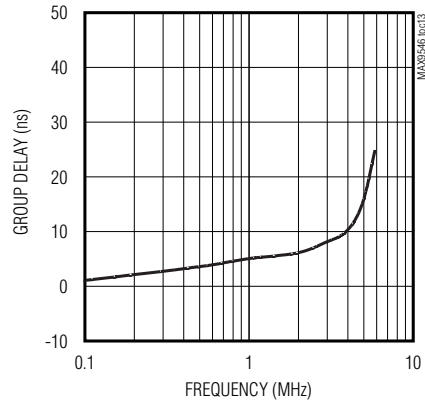
**DIFFERENTIAL GAIN (MAX9546 DRIVING MAX9547)**



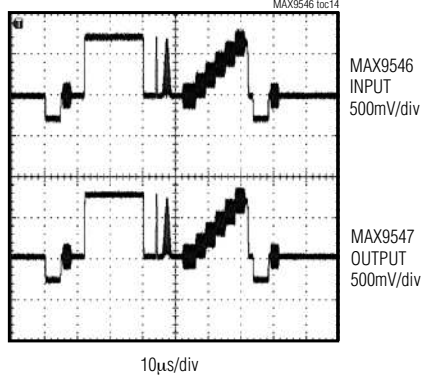
**DIFFERENTIAL PHASE (MAX9546 DRIVING MAX9547)**



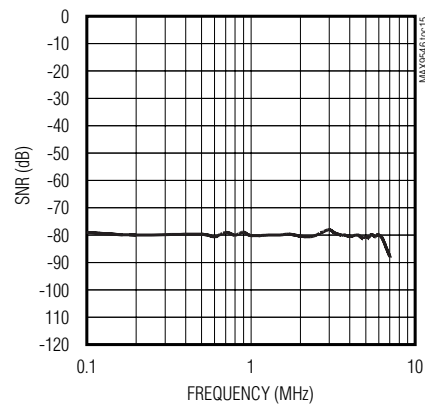
**GROUP DELAY vs. FREQUENCY (MAX9546 DRIVING MAX9547)**



**OUTPUT RESPONSE TO NTC-7 VIDEO TEST SIGNAL (MAX9546 DRIVING MAX9547)**



**SIGNAL-TO-NOISE RATIO vs. FREQUENCY (MAX9546 DRIVING MAX9547)**





# Differential Video Interface Chipset

## Pin Description (MAX9546)

PIN	NAME	FUNCTION
1, 8	VCC	Power Supply. Connect together and bypass with a 0.1 $\mu$ F in parallel with a 4.7 $\mu$ F capacitor to GND.
2	IN	Video Input
3	$\overline{\text{FAULT}}$	Fault Indicator. Active-low, open-drain output. $\overline{\text{FAULT}}$ = low when fault is detected at the output. $\overline{\text{FAULT}}$ = high when no fault is detected at the output.
4, 5	GND	Ground
6	OUT-	Negative Differential Output
7	OUT+	Positive Differential Output
EP	EP	Exposed Paddle. Connect to GND.

## Pin Description (MAX9547)

PIN	NAME	FUNCTION
1	IN+	Positive Differential Input
2	ZT+	Positive Transconductance Terminal
3	ZT-	Negative Transconductance Terminal
4	IN-	Negative Differential Input
5	GND	Ground
6	$\overline{\text{LOS}}$	Loss-of-Signal Indicator. Active-low, open-drain output. $\overline{\text{LOS}}$ = low when no signal is detected at the input. $\overline{\text{LOS}}$ = high when signal is present at the input.
7	IOUT	Current Output
8	VCC	Power Supply. Bypass with a 0.1 $\mu$ F capacitor in parallel with a 4.7 $\mu$ F capacitor to GND.
EP	EP	Exposed Paddle. Connect to GND.

### Detailed Description

The MAX9546/MAX9547 differential interface chipset converts single-ended voltages to differential voltages for transport and then converts back to single-ended voltages. The chipset is optimized for transporting CVBS/FBAS analog video signals (PAL or NTSC) through hostile automotive environments. The MAX9546 driver includes a fault output ( $\overline{\text{FAULT}}$ ) that indicates shorted transmission cables. The MAX9547 receiver loss-of-signal output ( $\overline{\text{LOS}}$ ) indicates an absence of input signal.

The MAX9546/MAX9547 operate from a 7.5V to 10V single supply. The differential interface is immune to short-circuit conditions to an automotive battery ( $V_{\text{BAT}} = 16\text{V}$ ),

supply (VCC), or ground. These devices include  $\pm 15\text{kV}$  ESD (Human Body Model) protection.

### MAX9546

#### Driver

The MAX9546 driver converts a single-ended video input into a differential output for transport across a twisted pair of wires. The input is AC-coupled and the video signal sync tip is clamped at 3.46V to set the voltage of the input. The output common-mode voltage is optimized to reject ground differences between the MAX9546 and MAX9547 up to  $\pm 2\text{V}$ . The differential gain is internally set to 2V/V to drive a back-terminated output to unity gain. The maximum input resistance should not exceed 400 $\Omega$  to ensure device stability.

# Differential Video Interface Chipset

MAX9546/MAX9547

## Common-Mode Balance

A driver is typically specified as having a property called common-mode balance (CMB), longitudinal balance, or simply line imbalance. Although balance is associated with the source, it assumes a perfectly balanced, correctly terminated, differential load. Common-mode balance is a measure of the ratio between the differential to the common-mode output in decibels as shown below.

$$CMB = 20\text{Log} \left( \frac{(OUT+) - (OUT-)}{\frac{(OUT+) + (OUT-)}{2}} \right)$$

Common-mode balance is dominated by the gain-bandwidth product at high frequencies and the output resistance at low frequencies; therefore, it is important to specify CMB over a frequency range. The receiver-side balance is determined by the common-mode rejection ratio (CMRR). The CMRR is usually quite large compared to the CMB; therefore, the CMB is the limiting factor.

## Fault Protection and Detection

The MAX9546 fault protection insures the driver outputs survive a short to any voltage from -2V to +16V and are ESD-protected to ±15kV HBM. Faults are indicated by an open-drain fault output (FAULT) being asserted low and requires a pullup resistor from FAULT to VCC.

## MAX9547

### Receiver

The MAX9547 receiver is a differential-to-single-ended converter that removes any common-mode input. The unique architecture allows the signal gain to be set by a ratio of two impedances: the user-selected transconductance element or network (Z<sub>ZT</sub>), and an output load resistance, R<sub>L</sub>. The gain is set by a fixed internal current gain (K) and the ratio of Z<sub>ZT</sub> and R<sub>L</sub>. The ZT terminals can be bridged with a complex impedance to provide lead-lag compensation.

The output is essentially a voltage-controlled current source as shown in Figure 1. The MAX9547 output is a current proportional to the differential input voltage, and inversely proportional to the impedance of the user-selected transconductance network, Z<sub>ZT</sub>. The current output provides inherent short-circuit protection for the output terminal. A differential input voltage applied to the input terminals causes current to flow in the transconductance element (Z<sub>ZT</sub>), which is equal to V<sub>IN</sub> / Z<sub>ZT</sub>. This current in the transconductance element is multiplied by the preset current gain (K) and appears on the output terminal as a current equal to (K) × (V<sub>IN</sub> / Z<sub>ZT</sub>). This current flows through the load impedance to produce an output voltage according to the following equation:

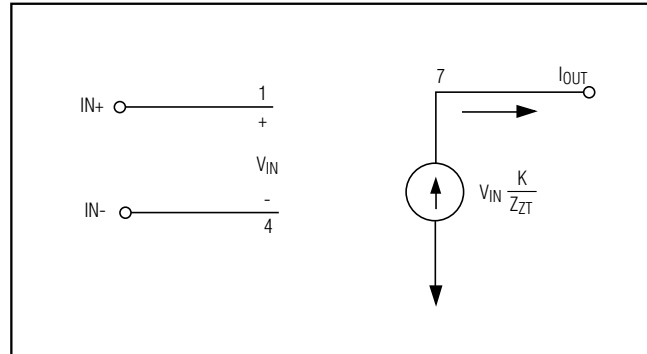


Figure 1. Operational Mode

$$V_{OUT} = K \left( \frac{V_{IN}}{Z_{ZT}} \right) R_L$$

where K = current-gain ratio (K = 1 for MAX9547), R<sub>L</sub> = output load impedance, Z<sub>ZT</sub> = transconductance element impedance, V<sub>IN</sub> = differential input voltage.

### Loss-of-Signal

The receiver includes an  $\overline{LOS}$  output to indicate a signal by detecting the presence of H-Sync. This allows the MAX9547 to be used with monochrome or color video.  $\overline{LOS}$  is an open-drain output and requires a pullup resistor from  $\overline{LOS}$  to VCC.

### Setting the Circuit Gain

The MAX9547 produces an output current by multiplying the differential input voltage, V<sub>IN</sub>, by the transconductance ratio, K (R<sub>L</sub> / Z<sub>ZT</sub>), where K = 1. The voltage gain (A<sub>V</sub>) is set by the impedance of the transconductance network (Z<sub>ZT</sub>) and the output load impedance (R<sub>L</sub>) according to the following formula:

$$A_V = K \left( \frac{R_L}{Z_{ZT}} \right)$$

The factor Z<sub>ZT</sub> is the impedance of the user-selected, two-terminal transconductance element or network, connected across the terminals labeled ZT+ and ZT-. The network Z<sub>ZT</sub> is selected, along with the output impedance R<sub>L</sub>, to provide the desired circuit gain and frequency shaping.

To maintain linearity, the transconductance network should also be selected so that current flowing through it, equal to V<sub>IN</sub> / Z<sub>ZT</sub>, does not exceed 18mA under worst-case conditions of maximum input voltage and minimum transconductance element impedance (Z<sub>ZT</sub>). Output current should not exceed ±8.8mA except under fault conditions.

# Differential Video Interface Chipset

## Applications Information

### Differential Interface

The impedances of the differential interface are made up of the two source resistors on the driver (MAX9546) shown as  $R_S$  and the load resistors on the receiver (MAX9547) shown as  $R_T$  in the *Typical Application Circuit*. These resistors are chosen so their sum matches the characteristic impedance ( $Z_0$ ) of the differential transmission line. For example, a Category 5 cable has a characteristic impedance of  $110\Omega$ , so the sum of the two  $R_S$  or  $R_T$  resistors must be  $110\Omega$  to correctly drive the line. To balance the signals they must be equal, so  $R_S$  and  $R_T$  are  $55\Omega$  each.

### Using Other Transmitters and Receivers

The MAX9546/MAX9547 are used with other transmitters and receivers; either other MAXIM devices or other

brands entirely. The overall performance of the MAX9546/MAX9547 is dependent on the choice of the receiver or transmitter, respectively.

Figure 2 illustrates one possible topology for the MAX9546 when using other devices with different offset requirements. Figures 3 and 4 illustrate two possible topologies for the MAX9547 when using other devices with unknown or different offset requirements. The circuit shown in Figure 3 has a smaller PCB footprint at the expense of requiring higher DC offset currents from the source device. Figure 4 requires no DC offset currents although it has a larger PCB footprint.

When using the MAX9546 with AC-coupling capacitors, the  $\overline{\text{FAULT}}$  signal will continue to function but only with respect to a DC short condition. The  $\overline{\text{LOS}}$  signal from the MAX9547 is unaffected by coupling capacitors.

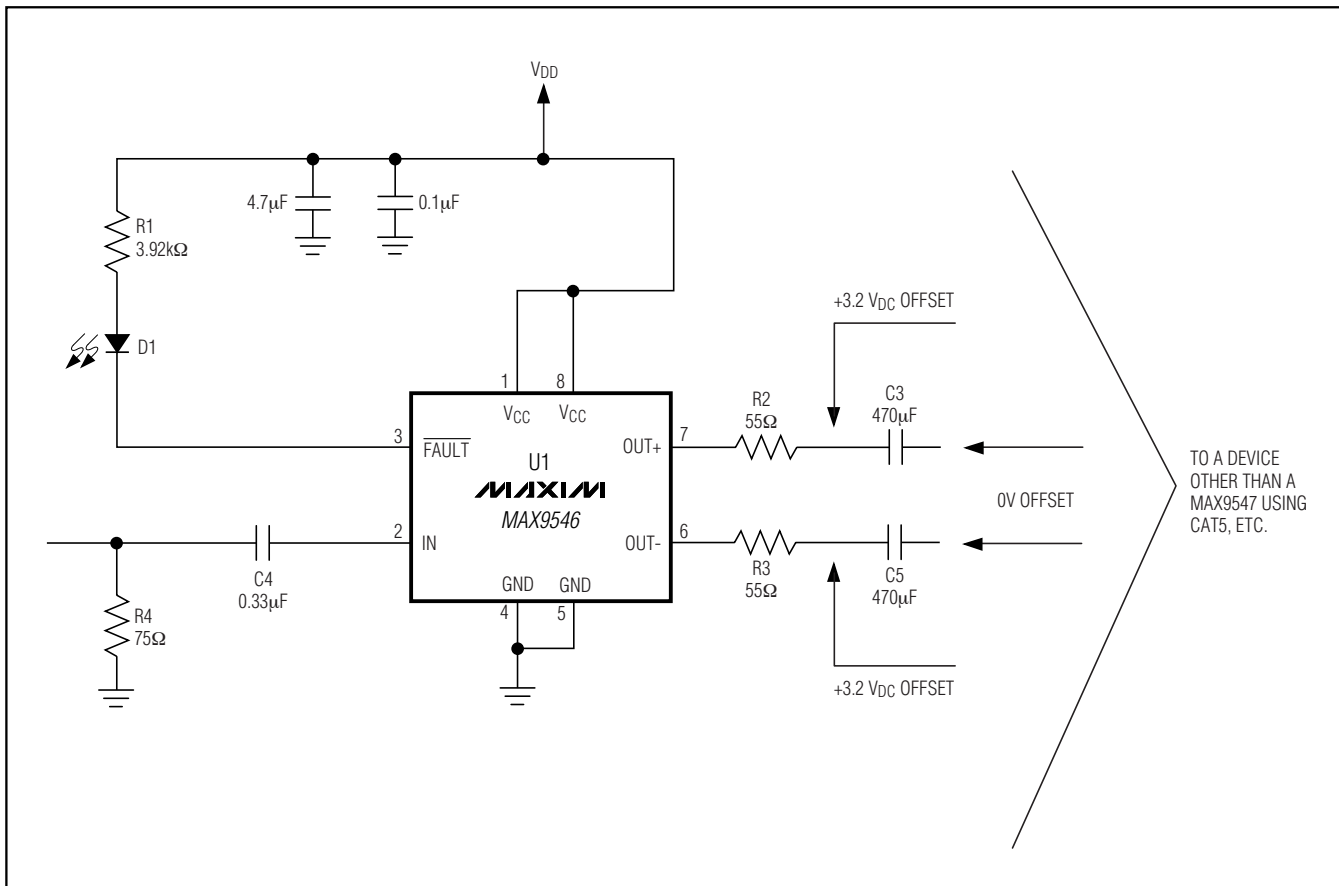


Figure 2. Suggested MAX9546 Configuration for Use with Other Devices

# Differential Video Interface Chipset

MAX9546/MAX9547

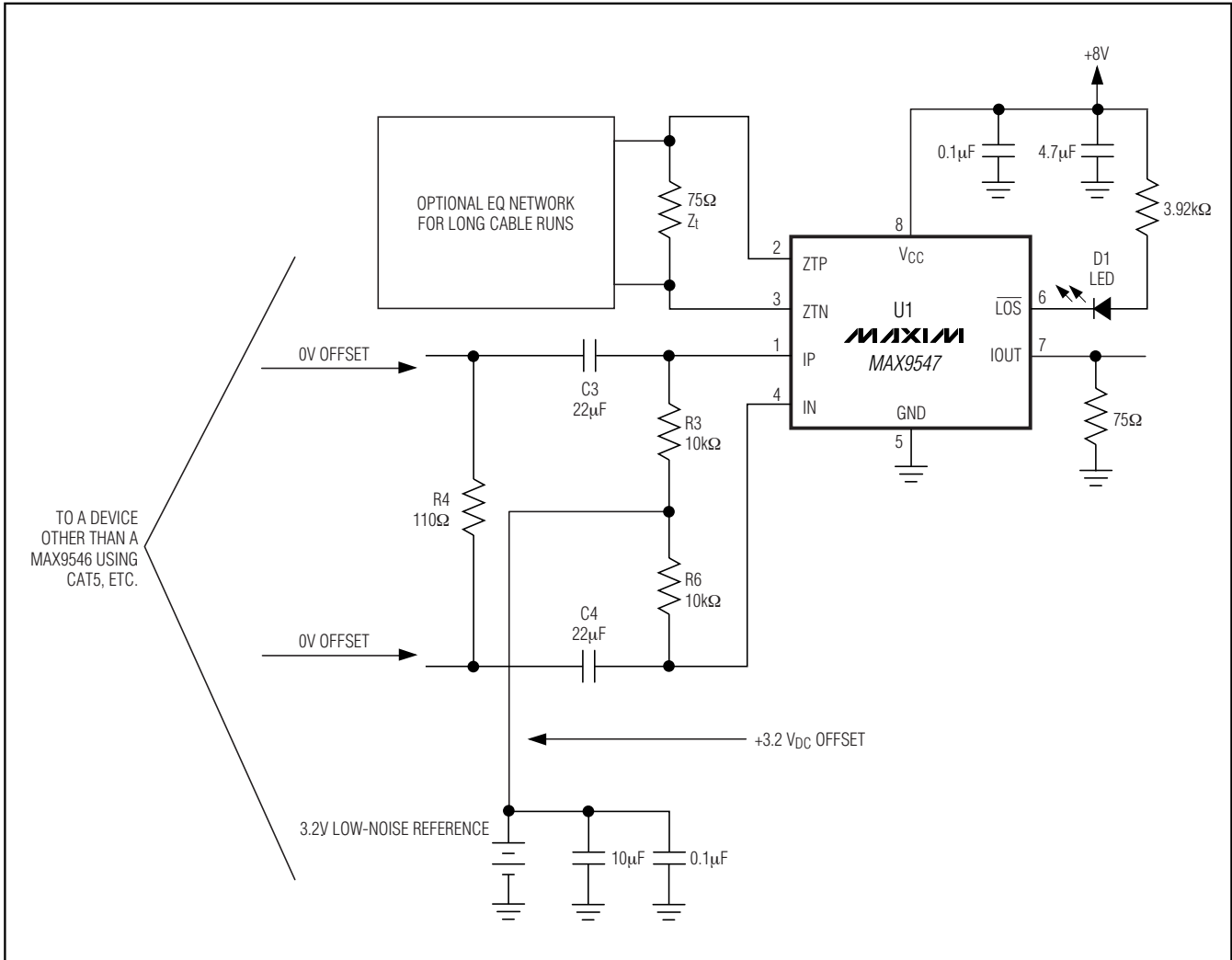


Figure 3. Suggested MAX9547 Configuration When Using Other Devices

# Differential Video Interface Chipset

**MAX9546/MAX9547**

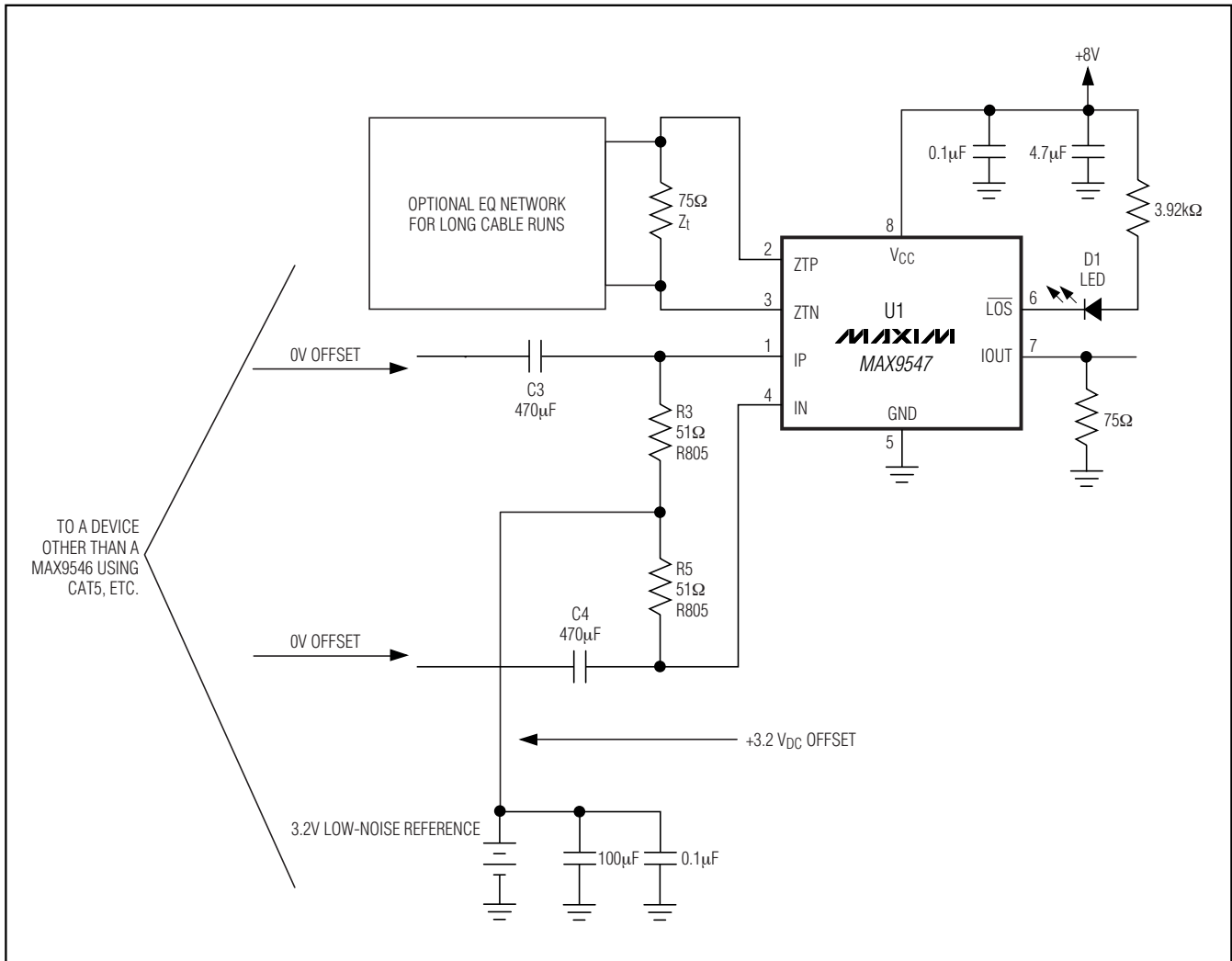


Figure 4. Alternate MAX9547 Configuration for Use with Other Devices

# Differential Video Interface Chipset

## ±15kV ESD Protection

As with all Maxim devices, ESD-protection structures are incorporated on all pins to protect against electrostatic discharges encountered during handling and assembly. The driver outputs and receiver inputs have extra protection against static electricity. Maxim's engineers developed state-of-the-art structures to protect these pins against ESD of ±15kV without damage. The ESD structures withstand high ESD in all states: normal operation and powered down. After an ESD event, the MAX9546/MAX9547 keep working without latchup. ESD protection can be tested in various ways; the driver outputs and receiver inputs of this product family are characterized for protection to ±15kV using the Human Body Model. Other ESD test methodologies include IEC

1000-4-2 Contact Discharge and IEC 1000-4-2 Air-Gap Discharge (formerly IEC 801-2).

## ESD Test Conditions

ESD performance depends on a variety of conditions. Contact Maxim for a reliability report that documents test setup, test methodology, and test results.

## Human Body Model

Figure 5 shows the Human Body Model, and Figure 6 shows the current waveform it generates when discharged into a low impedance. This model consists of a 100pF capacitor charged to the ESD voltage of interest, which is then discharged into the test device through a 1.5kΩ resistor.

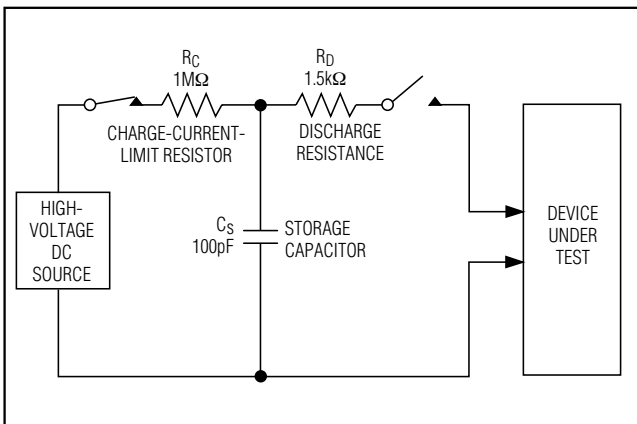


Figure 5. Human Body ESD Test Model

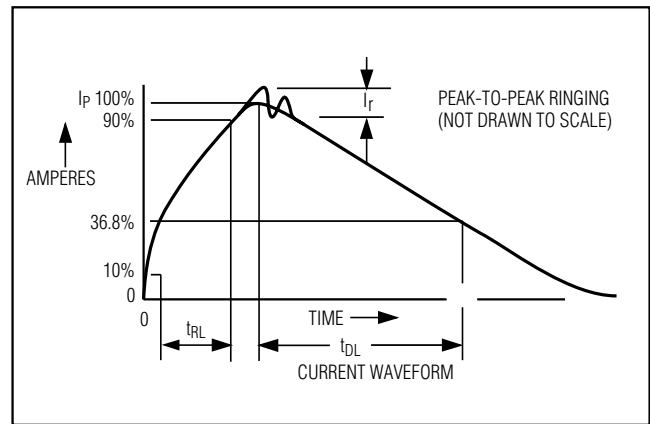


Figure 6. Human Body Current Waveform

MAX9546/MAX9547

# Differential Video Interface Chipset

## IEC 1000-4-2

The IEC 1000-4-2 standard covers ESD testing and performance of finished equipment; it does not specifically refer to integrated circuits (Figure 7).

The major difference between tests done using the Human Body Model and IEC 1000-4-2 is higher peak current in IEC 1000-4-2, because series resistance is lower in the IEC 1000-4-2 model. Hence, the ESD with-

stand voltage measured to IEC 1000-4-2 is generally lower than that measured using the Human Body Model. Figure 8 shows the current waveform for the  $\pm 8\text{kV}$  IEC 1000-4-2 ESD Contact-Discharge test. The Air-Gap test involves approaching the device with a charged probe. The Contact-Discharge method connects the probe to the device before the probe is energized.

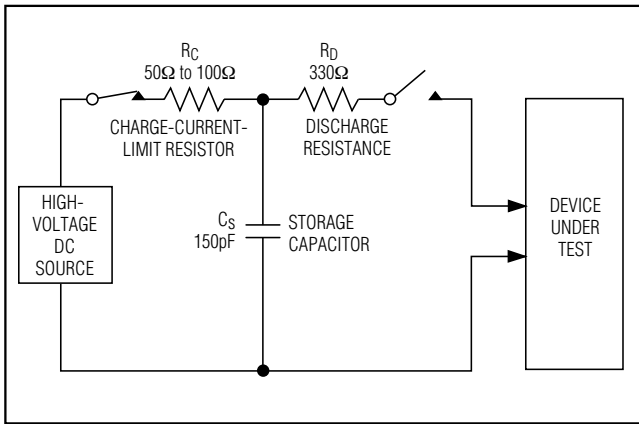


Figure 7. IEC 1000-4-2 ESD Test Model

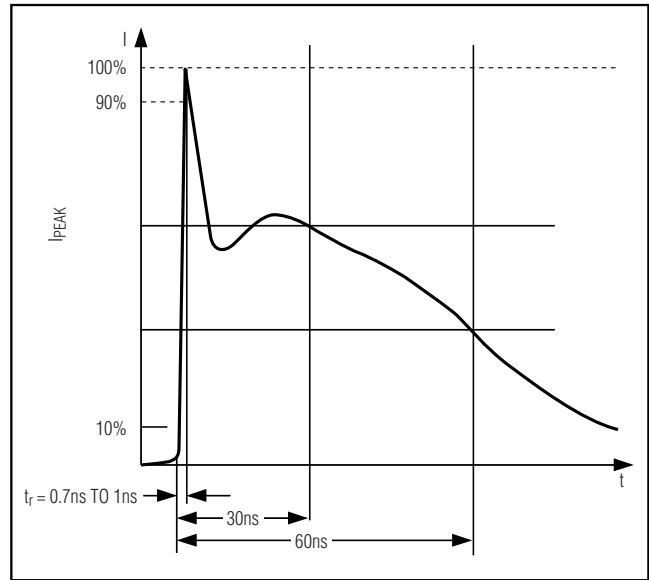
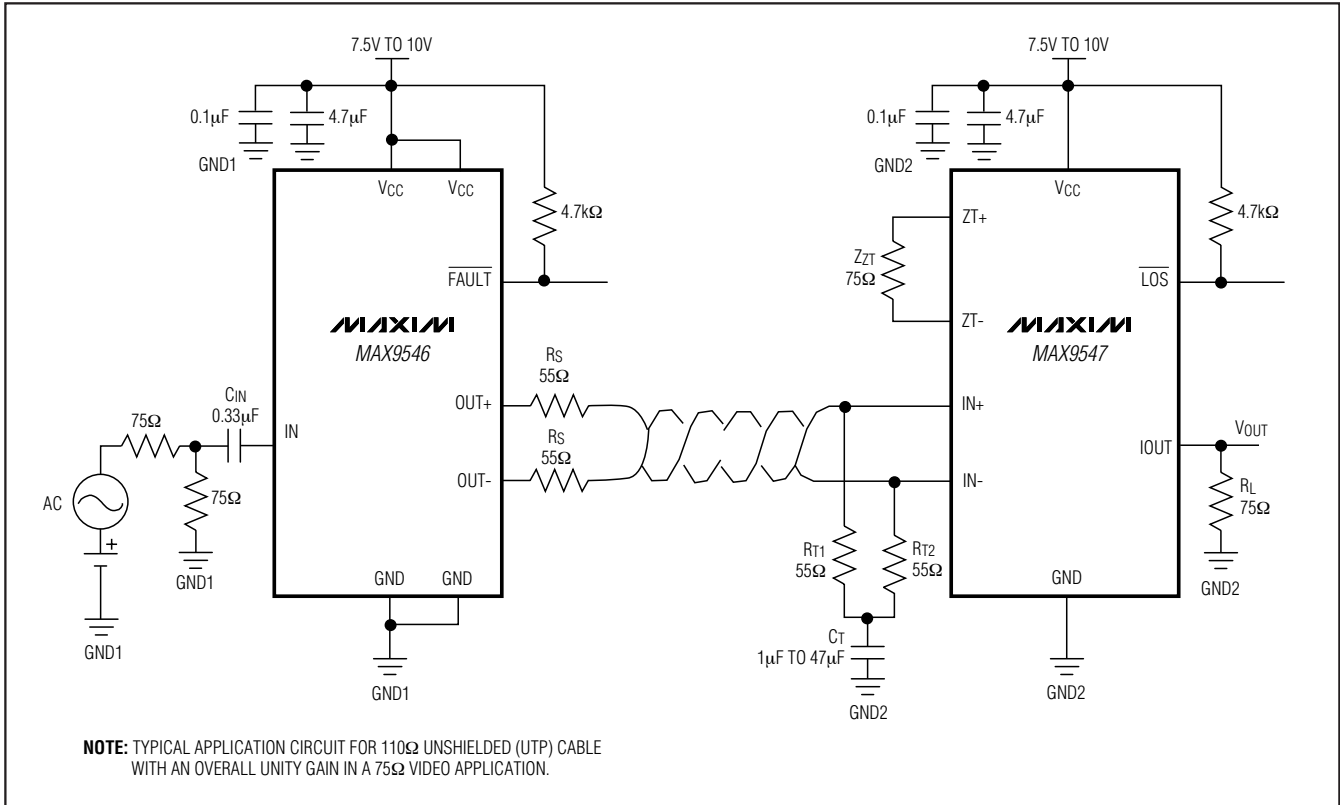


Figure 8. IEC 1000-4-2 ESD Generator Current Waveform

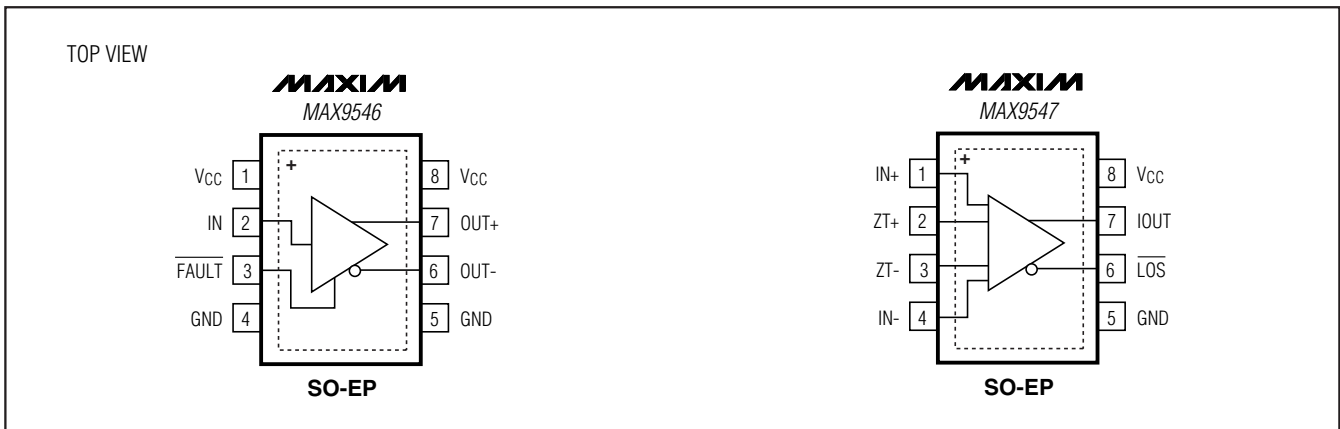
# Differential Video Interface Chipset

## Typical Application Circuit

MAX9546/MAX9547



## Pin Configurations



## Chip Information

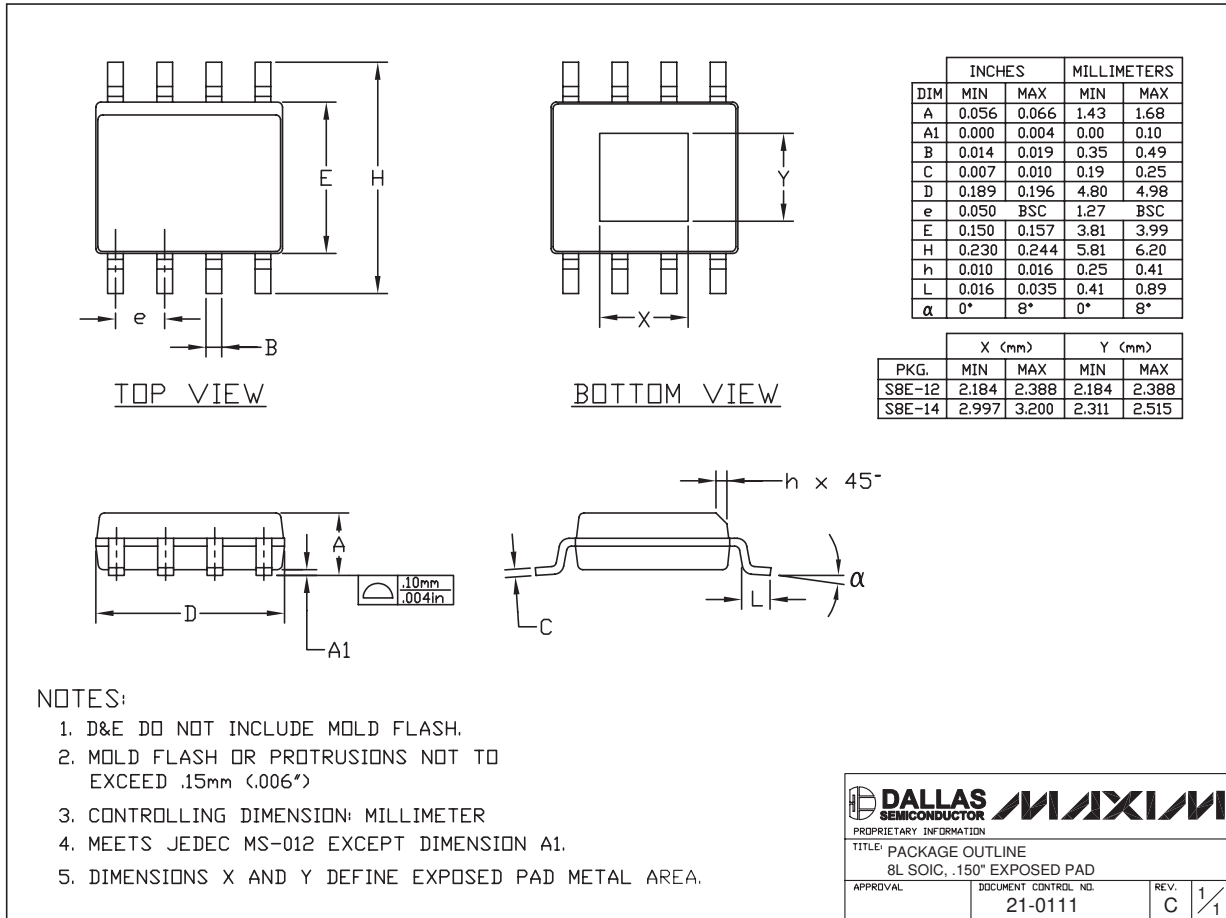
PROCESS: BICMOS



# Differential Video Interface Chipset

## Package Information

(The package drawing(s) in this data sheet may not reflect the most current specifications. For the latest package outline information go to [www.maxim-ic.com/packages](http://www.maxim-ic.com/packages).)



8L SOIC EXP. PAD EPS

**NOTES:**

1. D&E DO NOT INCLUDE MOLD FLASH.
2. MOLD FLASH OR PROTRUSIONS NOT TO EXCEED .15mm (.006")
3. CONTROLLING DIMENSION: MILLIMETER
4. MEETS JEDEC MS-012 EXCEPT DIMENSION A1.
5. DIMENSIONS X AND Y DEFINE EXPOSED PAD METAL AREA.

**DALLAS SEMICONDUCTOR** **MAXIM**  
 PROPRIETARY INFORMATION  
 TITLE: PACKAGE OUTLINE  
 8L SOIC, .150" EXPOSED PAD  
 APPROVAL: [ ] DOCUMENT CONTROL NO: 21-0111 REV. C 1/1

## Revision History

Pages changed at Rev 2: 1, 4, 11, 12  
 Pages changed at Rev 3: 1, 2, 3, 4, 9-16

Maxim cannot assume responsibility for use of any circuitry other than circuitry entirely embodied in a Maxim product. No circuit patent licenses are implied. Maxim reserves the right to change the circuitry and specifications without notice at any time.

16 Maxim Integrated Products, 120 San Gabriel Drive, Sunnyvale, CA 94086 408-737-7600