



Chipsmall Limited consists of a professional team with an average of over 10 year of expertise in the distribution of electronic components. Based in Hongkong, we have already established firm and mutual-benefit business relationships with customers from,Europe,America and south Asia,supplying obsolete and hard-to-find components to meet their specific needs.

With the principle of “Quality Parts,Customers Priority,Honest Operation,and Considerate Service”,our business mainly focus on the distribution of electronic components. Line cards we deal with include Microchip,ALPS,ROHM,Xilinx,Pulse,ON,Everlight and Freescale. Main products comprise IC,Modules,Potentiometer,IC Socket,Relay,Connector.Our parts cover such applications as commercial,industrial, and automotives areas.

We are looking forward to setting up business relationship with you and hope to provide you with the best service and solution. Let us make a better world for our industry!



Contact us

Tel: +86-755-8981 8866 Fax: +86-755-8427 6832

Email & Skype: info@chipsmall.com Web: www.chipsmall.com

Address: A1208, Overseas Decoration Building, #122 Zhenhua RD., Futian, Shenzhen, China





MAX9789A Evaluation Kit

General Description

The MAX9789A evaluation kit (EV kit) is a fully assembled and tested circuit board that evaluates the MAX9789A IC. The MAX9789A combines a stereo 2W Class AB speaker power amplifier, a stereo 85mW DirectDrive™ headphone amplifier, and a 120mA low-dropout (LDO) linear regulator in a single device. The MAX9789A is designed for use with the Windows Vista™ operating system and is fully compliant with Microsoft's premium mobile Vista specifications.

The speaker amplifier operates from a 4.5V to 5.5V DC power supply and delivers 2 x 2W output power into a pair of 4Ω speakers. The headphone amplifier operates from a 3.0V to 5.5V DC power supply and delivers 100mW output power into a 16Ω stereo headphone.

The MAX9789A provides separate stereo speaker and headphone amplifier inputs. Control pins provide independent shutdown of the speaker and headphone amplifiers, allowing speaker and headphone amplifiers to reproduce separate audio streams simultaneously.

The MAX9789A features an internal 120mA LDO. The LDO output voltage is internally set at 4.75V, or can be externally adjusted between 1.21V and 4.75V using a simple resistor-divider. The LDO can be enabled independently of the audio amplifiers.

The MAX9789A EV kit can be used to evaluate the MAX9790A. See the *Evaluating the MAX9790A* section for more details.

Windows Vista is a trademark of Microsoft Corp.

Features

- ◆ Windows Premium Mobile Vista Compliant
- ◆ 2W Stereo Class AB BTL Speaker Amplifier
- ◆ Stereo 100mW DirectDrive Headphone Amplifier
- ◆ Integrated 120mA Low-Dropout Linear Regulator
- ◆ Fully Assembled and Tested
- ◆ Evaluates the MAX9790A (Replacement IC Required)

Ordering Information

PART	TEMP RANGE	IC PACKAGE
MAX9789AEVKIT+	0°C to +70°C*	32 TQFN-EP**

*This limited temperature range is for the EV kit PC board only. The MAX9789A IC temperature range is -40°C to +85°C.

**EP = Exposed paddle.

+Denotes a lead-free and RoHS-compliant EV kit.

Component List

DESIGNATION	QTY	DESCRIPTION
REQUIRED COMPONENTS		
C1, C2, C3, C9, C11–C14	8	1.0μF ±10%, 6.3V X5R ceramic capacitors (0402) TDK C1005X5R0J105K
C4	1	10μF ±20%, 6.3V X5R ceramic capacitor (0805) TDK C2012X5R0J106M
C5, C6	2	1.0μF ±10%, 10V X7R ceramic capacitors (0603) TDK C1608X7R1A105K
C7, C8	2	1.0μF ±10%, 25V X7R ceramic capacitors (1206) TDK C3216X7R1E105K
C10, C15, C17	3	0.1μF ±10%, 10V X5R ceramic capacitors (0402) TDK C1005X5R1A104K
C16*, C18*	2	33μF ±20%, 6.3V X5R ceramic capacitors (1206) TDK C3216X5R0J336M

DESIGNATION	QTY	DESCRIPTION
U1	1	MAX9789AETJ+ (32-pin TQFN, 5mm x 5mm x 0.8mm)
—	1	MAX9789A EV kit PCB
OPTIONAL COMPONENTS		
C19	1	Not installed, ceramic capacitor (0402)
J1–J4, J6, J7, J8	7	3-pin headers
J5	1	2-pin header
J9	1	3.5mm stereo jack
R1	1	47kΩ ±1% resistor (0402)
R2	1	27kΩ ±1% resistor (0402)
—	8	Shunts

*System-level requirement.

+Denotes lead-free package.



MAX9789A Evaluation Kit

Quick Start

Recommended Equipment

- One 5V, 2A power supply
- Two audio sources
- Stereo speakers
- One stereo headphone

The MAX9789A EV kit is fully assembled and tested. Follow the steps listed below to verify board operation.

Do not turn on the power supply until all connections are completed.

- 1) Verify that a shunt is installed across pins 1 and 2 of jumper J1 (LDO_EN = VDD, LDO enabled).
- 2) Verify that a shunt is installed across pins 2 and 3 of jumper J2 (LDO_SET = GND, LDO_OUT = 4.75V).
- 3) Verify that shunts are installed across pins 1 and 2 of jumper J3 and pins 2 and 3 of jumper J4 (GAIN2 = VDD, GAIN1 = GND, SPKR gain = 10dB).
- 4) Verify that a shunt is installed across jumper J5 (HPVDD = VDD).
- 5) Verify that a shunt is installed across pins 1 and 2 of jumper J6 (MUTE = VDD, MUTE disabled).
- 6) Verify that a shunt is installed across pins 2 and 3 of jumper J7 (SPKR_EN = GND, SPKR enabled).
- 7) Verify that a shunt is installed across pins 1 and 2 of jumper J8 (HP_EN = VDD, enabled).
- 8) Connect the first speaker to the OUTL+ and the OUTL- pads.
- 9) Connect the second speaker to the OUTF+ and the OUTF- pads.
- 10) Insert a pair of headphones to jack J9.
- 11) Connect the ground terminal of the power supply to the GND pad. Connect the +5V power supply to the VDD pad.
- 12) Connect the first audio source to the SPKR_INL and the SPKR_INR pads. Connect the audio source ground to the SGND pad.

- 13) Connect the second audio source to the HP_INL and the HP_INR pads. Connect the audio source ground to the SGND pad.

- 14) Turn on the power supply and both audio sources.

Detailed Description

The MAX9789A EV kit is designed to evaluate the MAX9789A IC. The MAX9789A combines a stereo 2W Class AB speaker power amplifier, a stereo 100mW DirectDrive headphone amplifier, and a 120mA low-dropout linear regulator in a single device. The MAX9789A is designed for use with the Windows Vista operating system and is fully compliant with Microsoft's premium mobile Vista specifications.

The speaker amplifier operates from a 4.5V to 5.5V DC power supply and delivers 2 x 2W output power into a pair of 4Ω speakers from an independent input port. The headphone amplifier operates from a 3.0V to 5.5V DC power supply and delivers 100mW power into 16Ω stereo headphones from an independent input port. The EV kit can be powered by a single 4.5V to 5.5V DC power supply if desired.

The MAX9789A provides separate stereo speaker and headphone amplifier inputs. Control pins provide independent shutdown of the speaker and headphone amplifiers, allowing speaker and headphone amplifiers to reproduce separate audio streams simultaneously.

The speaker amplifier gain of the MAX9789A is selectable by jumpers J3 and J4. The MAX9789A also features a 120mA, fixed 4.75V or adjustable 1.21V to 4.75V, low-dropout linear regulator.

The EV kit is shipped with the MAX9789AETJ+ installed. The EV kit can also evaluate the MAX9790A. To evaluate the MAX9790A, see the *Evaluating the MAX9790A* section for additional information.

Component Supplier

SUPPLIER	PHONE	FAX	WEBSITE
TDK	847-803-6100	847-390-4405	www.component.tdk.com

Note: Indicate that you are using the MAX9789A/MAX9790A when contacting this component supplier.

MAX9789A Evaluation Kit

Evaluates: MAX9789A/MAX9790A

Jumper Selection

Shutdown Control (J1, J7, and J8)

Jumpers J7 and J8 control the independent shutdown pins (SPKR_EN and HP_EN, respectively) of the speaker and headphone amplifiers. See Table 1 for shunt positions.

Table 1. J7 and J8 Jumper Selection

J7 SHUNT POSITION	J8 SHUNT POSITION	EV KIT FUNCTION	
		SPKR	HP
1-2	2-3	Disabled	Disabled
1-2	1-2	Disabled	Enabled
2-3	2-3	Enabled	Disabled
2-3*	1-2*	Enabled	Enabled

*Default setting.

Jumper J1 enables/disables the linear regulator. See Table 2 for shunt positions.

Table 2. J1 Jumper Selection

J1 SHUNT POSITION	EV KIT FUNCTION
1-2*	LDO enabled
2-3	LDO disabled

*Default setting.

Mute Control (J6)

Jumper J6 controls the mute pin (MUTE) of the speaker and headphone amplifiers. See Table 3 for shunt positions.

Table 3. J6 Jumper Selection

J6 SHUNT POSITION	EV KIT FUNCTION
1-2*	SPKR and HP unmuted
2-3	SPKR and HP muted

*Default setting.

Gain Control (J3 and J4)

Jumpers J3 and J4 set the speaker amplifier gain on the EV kit. See Table 4 for shunt positions.

Table 4. J3 and J4 Jumper Selection

J3 SHUNT POSITION	J4 SHUNT POSITION	SPEAKER AMPLIFIER GAIN (dB)	HEADPHONE AMPLIFIER GAIN** (dB)
2-3	2-3	6	3.5
2-3*	1-2*	10	3.5
1-2	2-3	15.6	3.5
1-2	1-2	21.6	3.5

*Default setting.

**Headphone amplifier gain is fixed at 3.5dB.

Power-Supply Control (J5)

Jumper J5 connects VDD to HPVDD. See Table 5 for shunt positions.

Table 5. J5 Jumper Selection

J5 SHUNT POSITION	EV KIT FUNCTION
Installed*	VDD = HPVDD
Not installed	Provide a separate, external 3.0V to 5.5V potential between HPVDD and GND

*Default setting.

Low-Dropout Linear Regulator (J1 and J2)

Jumper J1 enables/disables the linear regulator. See Table 6 for shunt positions.

Jumper J2 connects the regulator's feedback input (LDO_SET) to either GND or the resistor-divider R1/R2.

Table 6. J1 Jumper Selection

J1 SHUNT POSITION	EV KIT FUNCTION
1-2*	LDO enabled
2-3	LDO disabled

*Default setting.

MAX9789A Evaluation Kit

Table 7. J2 Jumper Selection

J2 SHUNT POSITION	EV KIT FUNCTION
1-2	The regulator's feedback input (LDO_SET) is connected to resistor-divider R1/R2. Note: The resistors installed on the EV kit set the output voltage to 3.3V.
2-3*	The regulator's feedback input (LDO_SET) is connected to GND. The output voltage is 4.75V.

*Default setting.

See Table 7 for shunt positions.

The resistors installed on the MAX9789A EV kit set the output voltage to 3.3V. To change this voltage, replace R1 and R2. Use the following equation to select resistor values:

$$V_{LDO_OUT} = V_{LDO_SET} \left(1 + \frac{R1}{R2} \right)$$

where $V_{LDO_SET} = 1.21V$.

To simplify resistor selection:

$$R1 = R2 \left(\frac{V_{LDO_OUT}}{1.21} - 1 \right)$$

To minimize the current consumption, select resistor values between 10kΩ and 1MΩ.

Capacitor C19 (see Figure 1) can be used to compensate the input capacitance at LDO_SET, the stray

capacitance, and the wiring capacitance. This capacitor creates a zero in the feedback loop to reduce overshoot. Select C19 in the 10pF range when R1 is greater than 100kΩ. Overcompensation can cause poor stability in the high output current range.

Evaluating the MAX9790A

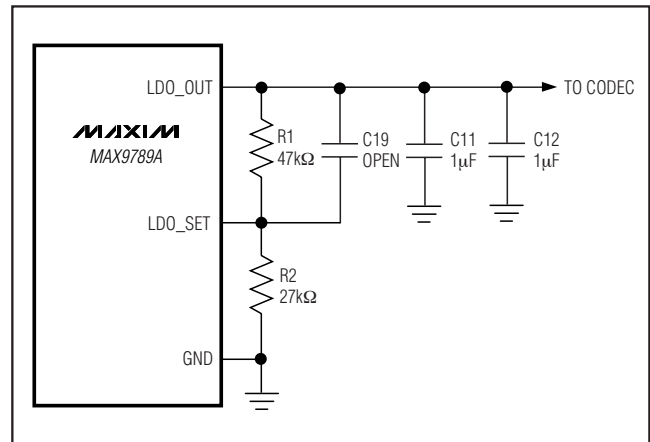


Figure 1. Adjustable Output Using External Feedback Resistors

The MAX9790A combines a stereo 2W Class AB speaker power amplifier with a stereo 100mW DirectDrive headphone amplifier only. To evaluate the MAX9790A, replace the MAX9789A with the MAX9790A. Ensure a shunt is installed across pins 2 and 3 of jumper J1 before operating the device. Do not install a shunt at jumper J2. Follow the MAX9789A quick start instructions with the exception of steps 1 and 2.

MAX9789A Evaluation Kit

Evaluates: MAX9789A/MAX9790A

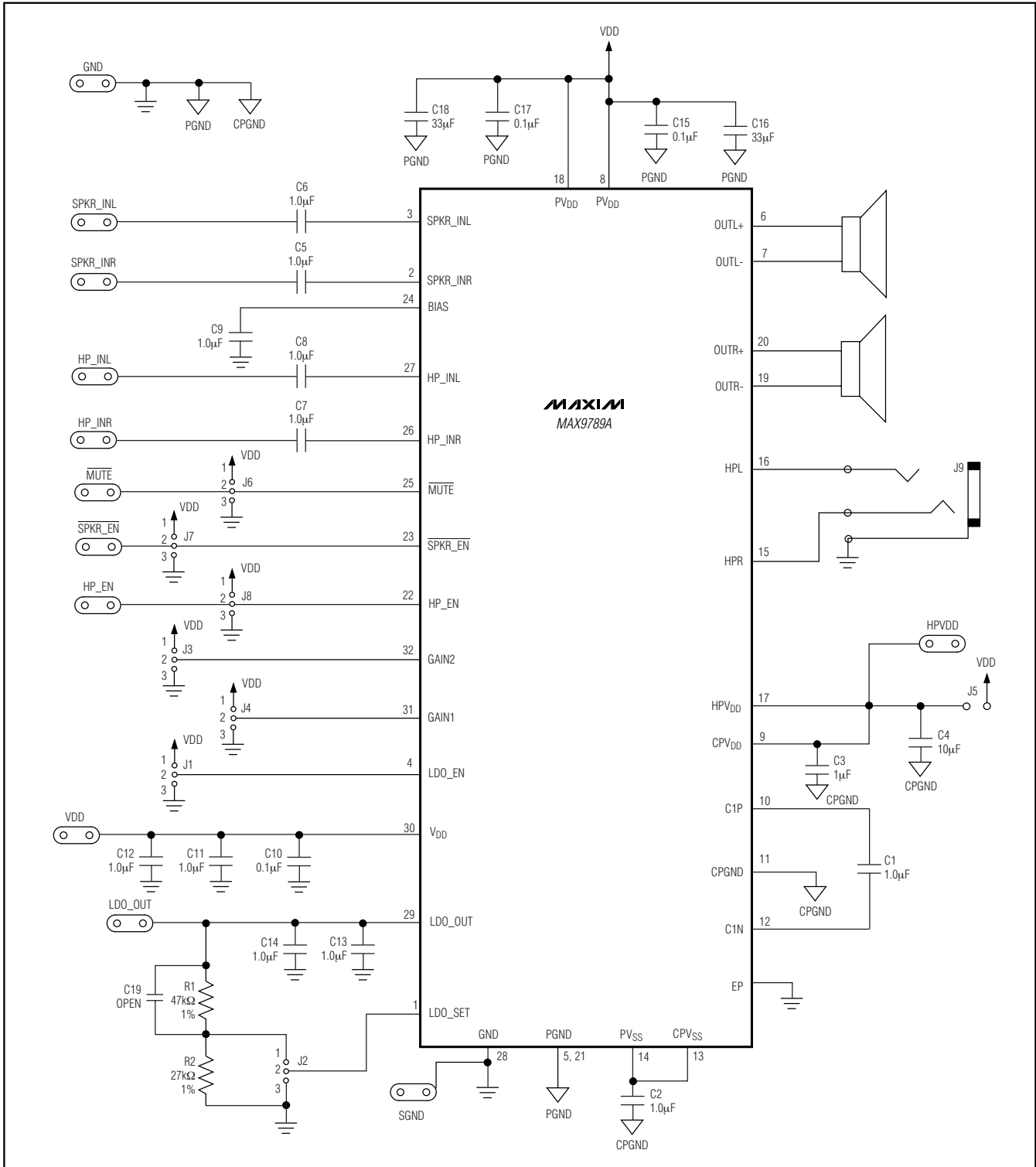


Figure 2. MAX9789A EV Kit Schematic

MAX9789A Evaluation Kit

Evaluates: MAX9789A/MAX9790A

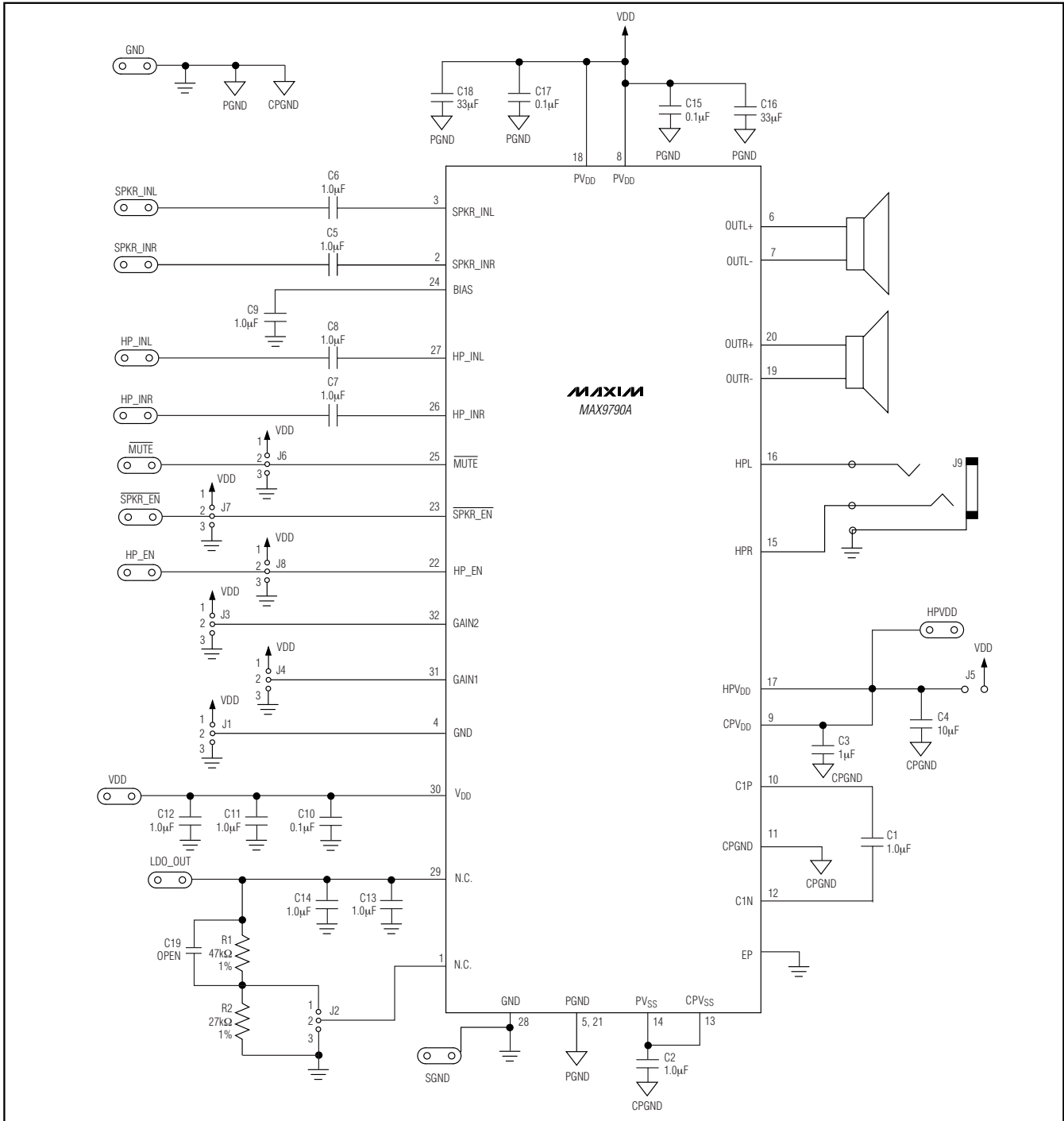


Figure 3. MAX9790A Evaluation Schematic

Note: When evaluating the MAX9790A, ensure a shunt is installed across pins 2 and 3 of jumper J1 before operating the device. Do not install a shunt at jumper J2.

MAX9789A Evaluation Kit

Evaluates: MAX9789A/MAX9790A

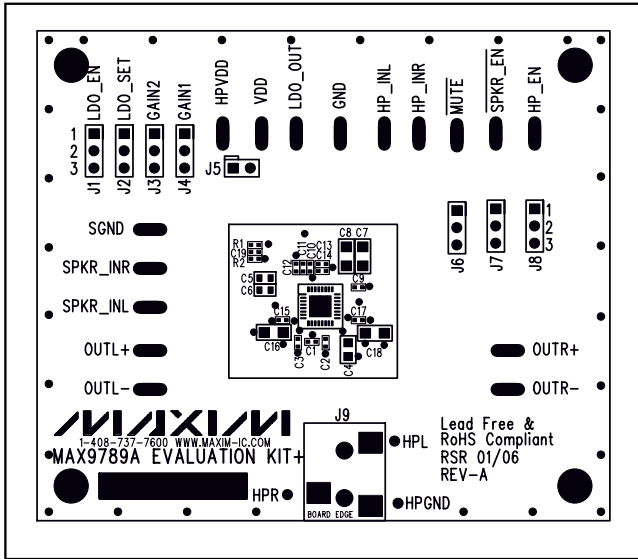


Figure 4. MAX9789A EV Kit Component Placement Guide—Silkscreen

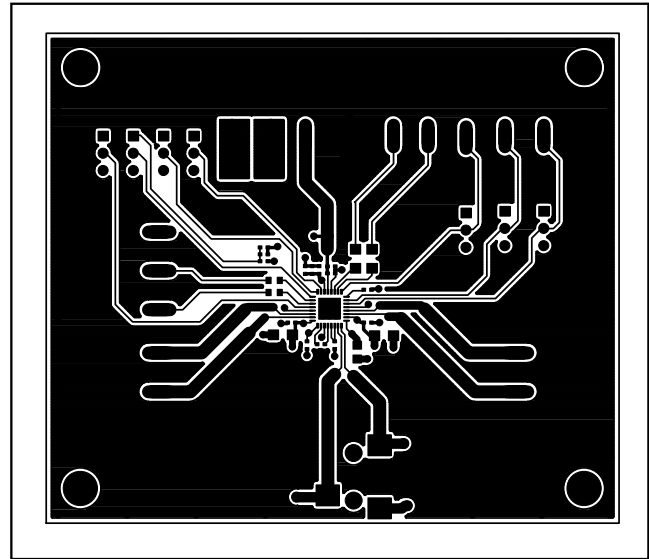


Figure 5. MAX9789A EV Kit PCB Layout—Component Side

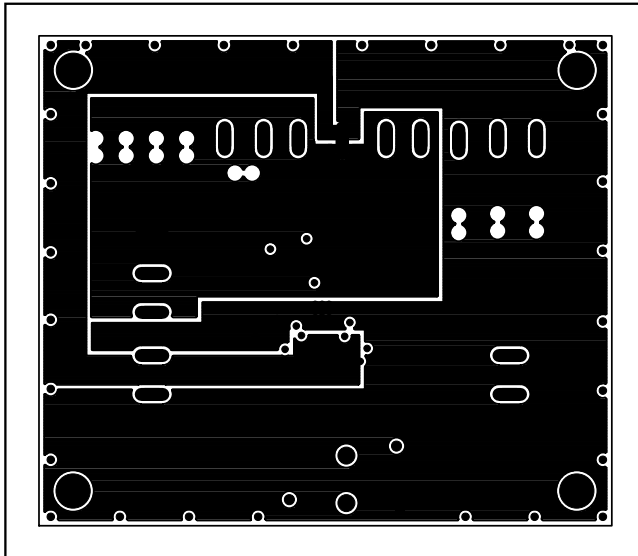


Figure 6. MAX9789A EV Kit PCB Layout—Layer 2

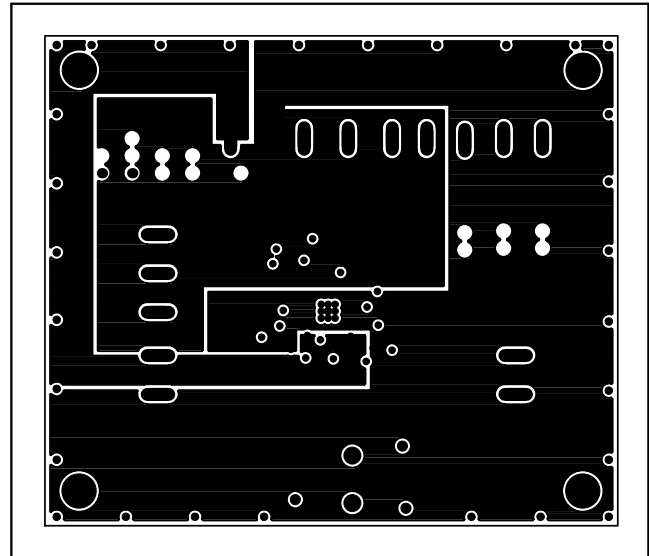


Figure 7. MAX9789A EV Kit PCB Layout—Layer 3

MAX9789A Evaluation Kit

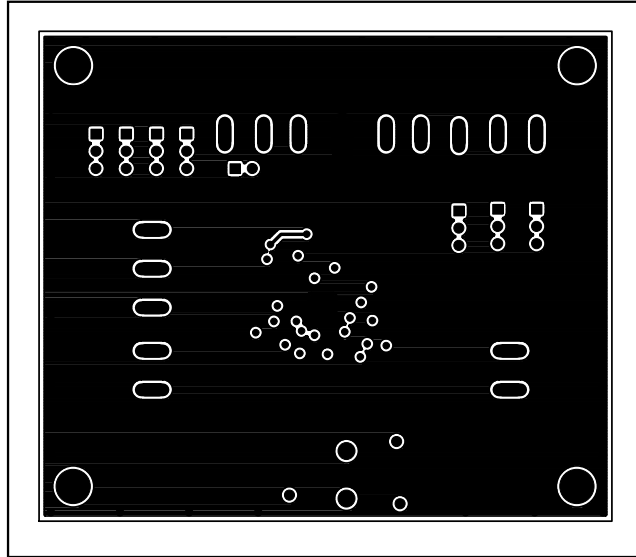


Figure 8. MAX9789A EV Kit PCB Layout—Solder Side

Revision History

Pages changed at Rev 1: 1, 7, 8

Maxim cannot assume responsibility for use of any circuitry other than circuitry entirely embodied in a Maxim product. No circuit patent licenses are implied. Maxim reserves the right to change the circuitry and specifications without notice at any time.

8 _____ **Maxim Integrated Products, 120 San Gabriel Drive, Sunnyvale, CA 94086 408-737-7600**

© 2006 Maxim Integrated Products

MAXIM is a registered trademark of Maxim Integrated Products, Inc.