



Chipsmall Limited consists of a professional team with an average of over 10 year of expertise in the distribution of electronic components. Based in Hongkong, we have already established firm and mutual-benefit business relationships with customers from,Europe,America and south Asia,supplying obsolete and hard-to-find components to meet their specific needs.

With the principle of “Quality Parts,Customers Priority,Honest Operation,and Considerate Service”,our business mainly focus on the distribution of electronic components. Line cards we deal with include Microchip,ALPS,ROHM,Xilinx,Pulse,ON,Everlight and Freescale. Main products comprise IC,Modules,Potentiometer,IC Socket,Relay,Connector.Our parts cover such applications as commercial,industrial, and automotives areas.

We are looking forward to setting up business relationship with you and hope to provide you with the best service and solution. Let us make a better world for our industry!



Contact us

Tel: +86-755-8981 8866 Fax: +86-755-8427 6832

Email & Skype: info@chipsmall.com Web: www.chipsmall.com

Address: A1208, Overseas Decoration Building, #122 Zhenhua RD., Futian, Shenzhen, China



Keywords: smart transducer, 4-20mA current loop, industrial process control, HART modem

REFERENCE SCHEMATIC 5817

Novato (MAXREFDES16#): 4-20mA Loop-Powered Temperature Sensor with HART

By: Yuriy Kurtsevov, Strategic Applications Engineer

Whitney Scott, Strategic Applications Engineer

Jan 30, 2014

Abstract: The Novato reference design (MAXREFDES16#) is a 16-bit, high-accuracy, loop-powered temperature transducer that transmits temperature information from a remote object to the central control unit over a 4–20mA current loop and using the highway addressable remote transducer (HART) communication protocol.

Introduction

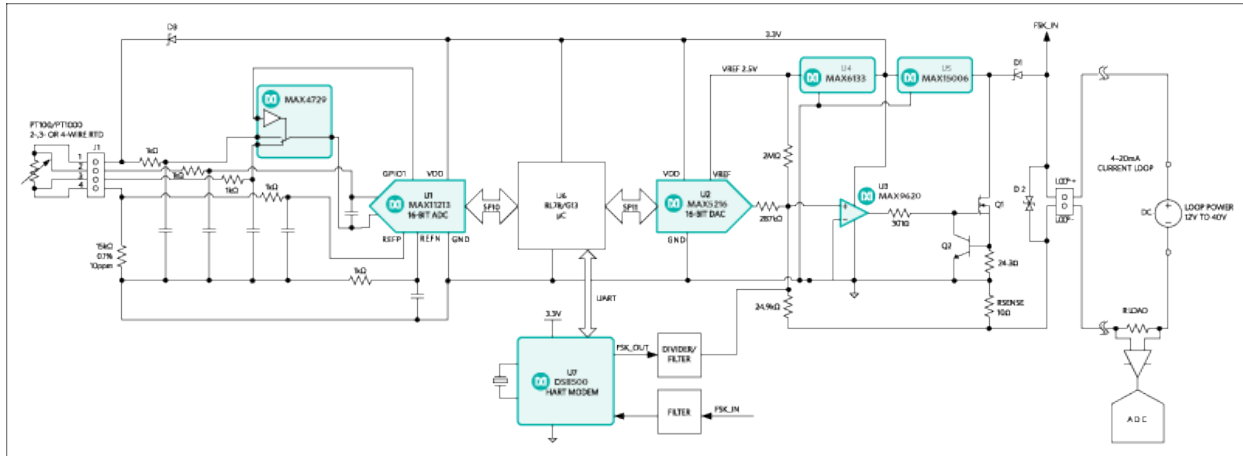
Temperature is one of the most widely measured parameters in industrial process control and automation. This reference design provides a complete signal-chain solution that works with any type of RTDs, from PT100 to PT1000. The Novato PT100 2-wire, loop-powered smart temperature transmitter guarantees a low-power, easy-to-use, reliable solution of temperature measurement from -200°C to +850°C with accuracy better than 0.1% or 1.0°C, whichever is more accurate, over the entire operating range.

The Novato [MAXREFDES16](#) smart sensor transmitter reference design features:

- 2-, 3-, or 4-wire RTD sensor input
- -200°C to +850°C measured temperature range
- -40°C to +85°C operating range
- 0.03°C temperature resolution
- < 0.05% span error or ±0.2°C at +23°C (whichever is greater)
- < 0.1% span error or ±1.0°C over operating range
- 12V to 40V supply voltage range
- 200µA RTD excitation current
- Auto compensation of wire resistance for 3-wire RTD
- 4–20mA current loop output
- 10½ to 1k½ loop load
 - Highway addressable remote transducer (HART) communication protocol requires minimum load of 230½
- Sensor burnout detection
 - NAMUR down scale: < 3.2mA
 - NAMUR up scale: programmable from 20.5mA to > 24mA
- Loop current limiter: 30mA ±5mA
- HART protocol compatible

Detailed Description

Block diagram of the Novato smart sensor transmitter is shown in [Figure 1](#).



More detailed image.

Figure 1. Novato (MAXREFDES16#) block diagram.

The signal chain contains the **MAX11213** (U1), 16-bit delta-sigma ADC with programmable gain and GPIO, the RL78/G13 Renesas' microcontroller with 128kB flash memory (U6), and the 4–20mA current loop transmitter built on the **MAX5216** and **MAX9620** (U2 and U3). The **DS8500** modem (U7) provides digital interface utilizing HART protocol over 4–20mA current loop. The **MAX15006** (U5) and **MAX6133** (U4) provide power and reference voltage to the entire circuitry.

For more detailed information about 4–20mA current loop transmitter refer to reference schematic 5610, "[High-Performance, High-Accuracy 4-20mA Current-Loop Transmitter Meets Toughest Industrial Requirements.](#)"

This design uses a ratiometric measurement of sensor resistance according to the ADC transfer function (Eq. 1 and Eq. 2):

$$\text{ADCcode} = ((V_{\text{AINP}} - V_{\text{AINN}})/(V_{\text{REF}}/\text{gain}) \times (2^{16} - 1) \quad (\text{Eq. 1})$$

where

$(V_{\text{AINP}} - V_{\text{AINN}}) = I_{\text{RTD}} \times R_{\text{RTD}}$ is a voltage drop on RTD,

$V_{\text{REF}} = I_{\text{RTD}} \times R_{\text{REF}}$ is a voltage drop on reference resistor R_{REF}

Equation 1 can be rewritten as:

$$\text{ADCcode} = R_{\text{RTD}}/(R_{\text{REF}}/\text{gain}) \times (2^{16} - 1) \quad (\text{Eq. 2})$$

Then the ADC code is converted into temperature data according to the Callendar-Van Dusen equation (Eq. 3):

$$R(T) = R_0(1 + A \times T + B \times T^2 - 100 \times C \times T^3 + C \times T^4) \quad (\text{Eq. 3})$$

where

$R(T)$ is RTD resistance at temperature T ($^{\circ}\text{C}$)

R_0 is RTD resistance at 0°C

A, B, and C constants are derived from experimentally determined parameters and regulated by the IEC751 standard; they also must be provided by RTD manufacturers

For PT100 and temperature coefficient of resistance: $\alpha = 0.003850$ [$\alpha = (R_{100} - R_0)/(100 \times R_0)$]

$A = 3.90830 \times 10^{-3}$

$B = -5.77500 \times 10^{-7}$

$C = 4.18301 \times 10^{-12}$ for $-200^{\circ}\text{C} \leq T \leq 0^{\circ}\text{C}$

$C = 0$ for $0^{\circ}\text{C} \leq T \leq 850^{\circ}\text{C}$.

Temperature T can be calculated by solving quadratic equation if we ignore coefficient $C = 4.18301 \times 10^{-12}$ for negative temperature (Eq. 4):

$$T(^{\circ}\text{C}) = (-A + \sqrt{A^2 - 4B(1 - R_{\text{RTD}}/R_0)})/2B \quad (\text{Eq. 4})$$

where

$$R_{\text{RTD}} = (\text{ADCcode} \times R_{\text{REF}})/((2^{16} - 1) \times \text{gain})$$

After that, temperature is converted into 4–20mA loop current using equation Eq. 5:

$$\text{DACcode} = 4\text{mAcode} + (20\text{mAcode} - 4\text{mAcode})/(T_{\text{max}} - T_{\text{min}}) \times (T - T_{\text{min}}) \quad (\text{Eq. 5})$$

Thus, loop current is proportional to the temperature (T).

The MAX11213 ADC allows auto compensation of the sensor wire resistance by measuring that resistance during the calibration procedure and continuously subtracting that value from each conversion result. The wire resistance compensation technique is a one-step process called system offset calibration.

In normal operation the ADC measures the voltage drop between points 2 and 3 of connector J1, see **Figure 2**. For the offset calibration, the **MAX4729** switches into the NO (normally opened) position and the ADC measures the voltage between points 1 and 2 of connector J1. In other words, the ADC measures wire resistance and automatically stores that value into the System Offset Calibration register.

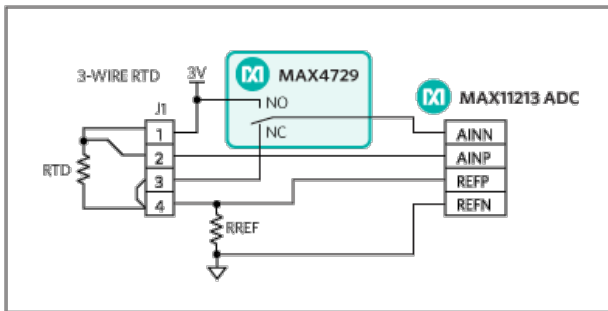


Figure 2. Sensor's wire measurement using the MAX4729 mux.

The central control unit (CCU) or programmable logic controller (PLC) can convert the loop current back to the temperature using Eq. 6:

$$T(^{\circ}\text{C}) = ((T_{\text{max}} - T_{\text{min}})/16 \times (I_{\text{LOOP}} - 20) + T_{\text{max}}) \quad (\text{Eq. 6})$$

where

T_{max} is the maximum measured temperature in $^{\circ}\text{C}$

T_{min} is the minimum measured temperature in $^{\circ}\text{C}$

I_{LOOP} is the measured loop current in mA.

The Novato (MAXREFDES16#) smart sensor transmitter board is loaded with the firmware that supports any RTD, from PT100 to PT1000. Selection of the right sensor can be done during calibration.

Novato Calibration Procedure and Software

Calibration of the sensor is easy with the supporting Novato calibration software and USB-to-UART programming adapter, **Figure 3**.



Figure 3. Novato USB-to-UART programming adapter.



Figure 4. Novato smart sensor transmitter.

The programming adapter is connected to a PC through the USB port, and to the Novato board J4 header with a 2-wire UART interface, **Figure 4**.

Connect the Novato board to the 4–20mA current loop and supply the power according to the block diagram in Figure 1.

Plug in the USB-to-UART programming adapter to the PC and start the Novato calibration software, **Figure 5**. Wait until the PC enumerates the USB device and the software reports that the USB adapter is connected.

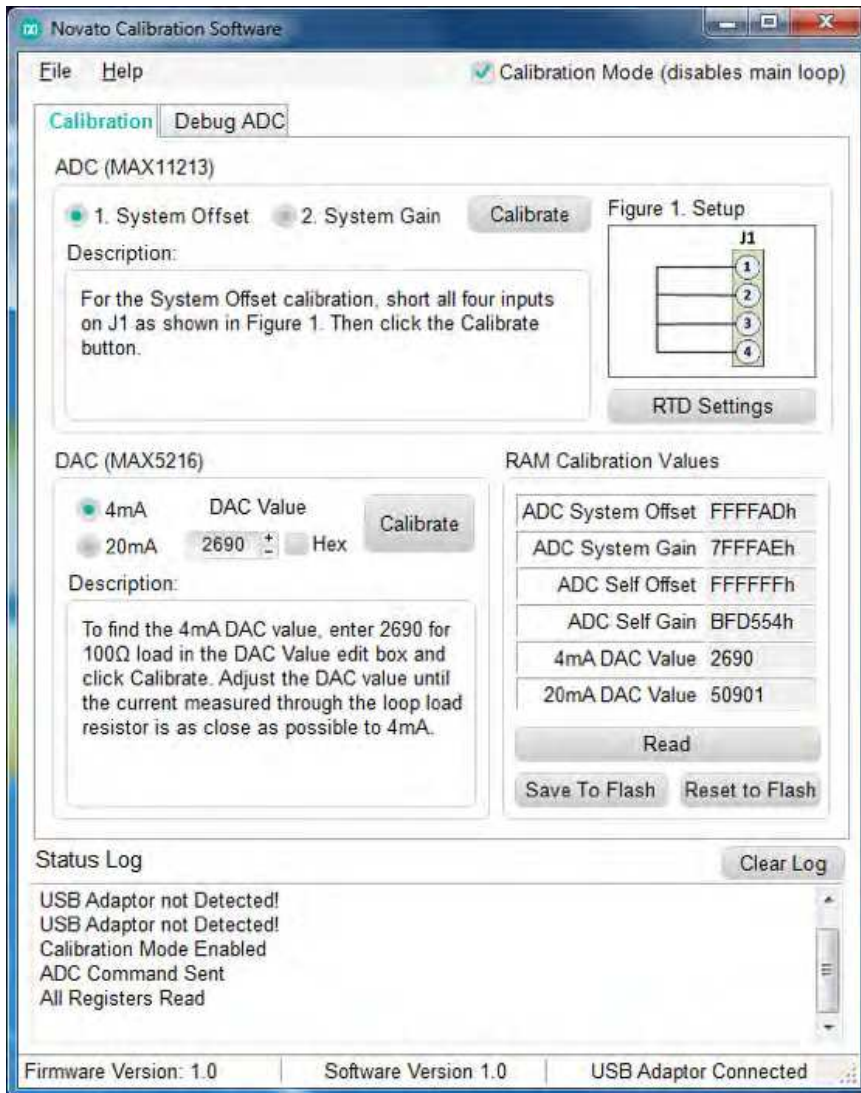


Figure 5. Novato calibration GUI.

The GUI is user friendly and easy to navigate. Just follow the tips in the Status box.

Step 1: Disable main loop to allow communication to the sensor by selecting the Calibration Mode checkbox. Note all functions are disabled (grayed) until Calibration mode is enabled.

Step 2: Select RTD.

In the Calibration tab, clicking the "RTD Settings" button opens the RTD Settings window, **Figure 6**. Then select the appropriate R_0 resistance at 0°C of RTD, which is going to be connected to the Novato board, e.g. 100Ω, gain, max and min temperature.

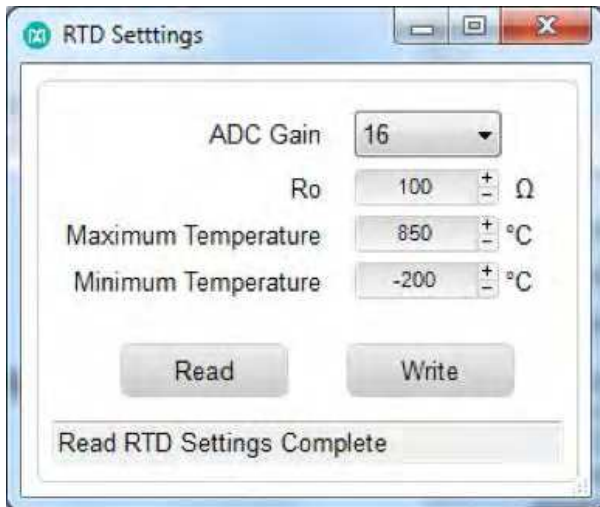


Figure 6. RTD Settings pop up window.

Use the appropriate settings from **Table 1** and click the Write button. Click the Read button to verify the correct parameters are written.

Parameter	PT100	PT200	PT500	PT1000
R ₀ ()	100	200	500	1000
Gain	16	16	8	4
Max. Temperature (°C)	850	630	630	630
Min. Temperature (°C)	-200	-200	-200	-200

Step 3: Perform system offset calibration.

Short J1.1, J1.2, J1.3, and J1.4 of the sensor input connector. Select the System Offset radio button and click the Calibrate button.

Tip: Press the Read button to check how the values are changed during calibration.

Step 4: Perform system gain calibration.

Short J1.1, J1.2, and J1.4; connect J1.3 to the VGND test point. Select the System Gain radio button and click the Calibrate button.

Step 5: Perform 20mA loop current calibration.

Select the 20mA radio button, enter a value in the DAC Value edit box and click the Calibrate button. This value must be found manually by selecting a DAC code and measuring the loop current by external digital multimeter (DMM). Adjust the DAC code until the loop current measures 20mA.

Step 6: Perform 4mA loop current calibration.

Select the 4mA radio button, enter a value in the DAC Value edit box and click the Calibrate button. This value must be found manually by selecting a DAC code and measuring the loop current by external DMM. Adjust the DAC code until the loop current measures 4mA.

Step 7 (optional): Adjust ADC Gain and Offset for specific RTD.

Use a Fluke 724 process calibrator to simulate the RTD. For example, select PT100 RTD as a source and connect Fluke 724 to connector J1 as a 2-wire RTD, **Figure 7**.

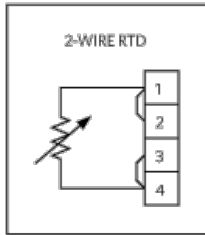


Figure 7. 2-wire RTD connection.

In the Debug ADC tab, select the "Convert 5sps" ADC Command from the pulldown menu, **Figure 8**.

6.1. Click the "Send" button.

6.2. Click the "Read" button in the ADC Registers group box.

The ADC Registers are read back, **Figure 8**.

6.3. Click the "0%" button on Fluke 724 to select -200°C.

6.4. Repeat 6.1. and 6.2. The ADC Data register should read 0x50F or something close to that value.

6.5. Click the "100%" button on Fluke 724 to select +800°C.

6.6. Repeat 6.1 and 6.2. The ADC Data register should read 0x6697 or something close to that value.

Manually adjust Self Gain and Self Offset registers until the following ADC Data is read (**Table 2**).

Table 2. Calibration Points for PT100	
Fluke 724 RTD Source	ADC Data (hex)
-200.0°C	50F
0.0°C	1B4E
800.0°C	6697

Tip: For -200°C, start adjusting the Self Offset register until it reaches FFFFFFFh value and then continue adjusting the SYS Offset register.

After that, set up 800°C and adjust the Self Gain register starting from the 3rd LSB digit until 6697 is read.

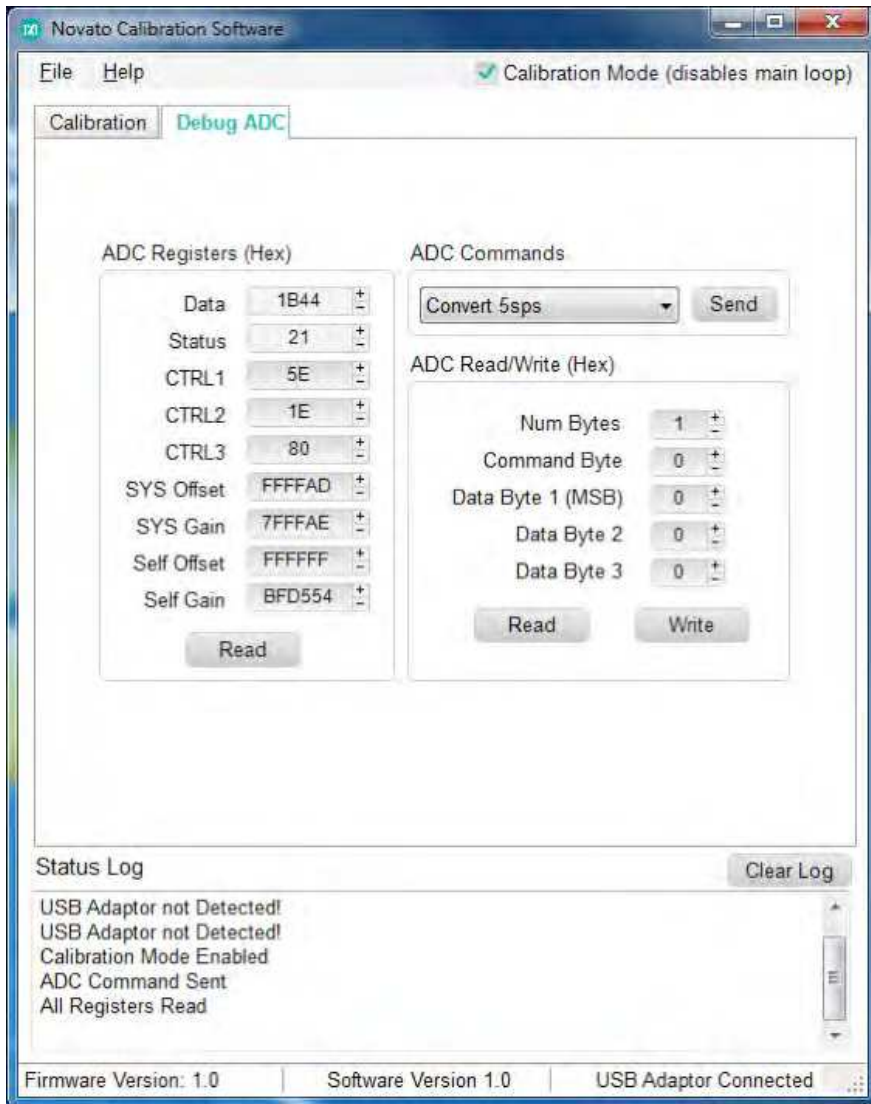


Figure 8. Debug ADC tab.

Step 8: Save to Flash.

Click the "Save To Flash" button in the Calibration tab to store calibration values into nonvolatile memory.

Step 9: Disable Calibration Mode.

Resume normal operation by deselecting the Calibration Mode checkbox.

All Design Files

[Download All Design Files](#)

Hardware Files

- [Schematic](#)
- [Bill of materials \(BOM\)](#)
- [PCB Gerber](#)
- [Novato firmware](#)
- [Novato calibration software](#)

Note, the Novato calibration software only works with custom made USB-to-UART programming adapter. This adapter is not provided with Novato board and has to be requested separately.

Firmware Files

Firmware is developed using Renesas' e2 studio—complete development and debug environment based on the popular Eclipse CDT project. Use Renesas' E1 Emulator to download firmware through connector J3. The E1 Emulator also provides all the basic debugging function. For more information regarding RL78 MCU, e2 studio IDE, and E1 emulator, refer to [Renesas' website](#).

The Novato reference design comes with firmware loaded on the system. For additional details, please [contact the factory](#).

HART Communication Protocol

The Novato reference design fully satisfies the HART physical layer requirements. The HART functions set is developed by AB Tech Solution, an engineering firm specialized in product development services for industrial automation applications.

The HART stack for the Novato reference design supports all universal and common practice commands. The HART stack is not provided by Maxim Integrated. Contact [AB Tech Solution](#) regarding licensing, integration, and further development of device-specific functions.

Lab Measurements

All measurements are taken with the Fluke 724 process calibrator for PT100 RTD. The 4–20mA loop current is measured by the Agilent 34401A digital multimeter as voltage drop over 100Ω load resistor. Measurement results are shown in **Figure 9** and **Figure 10**.

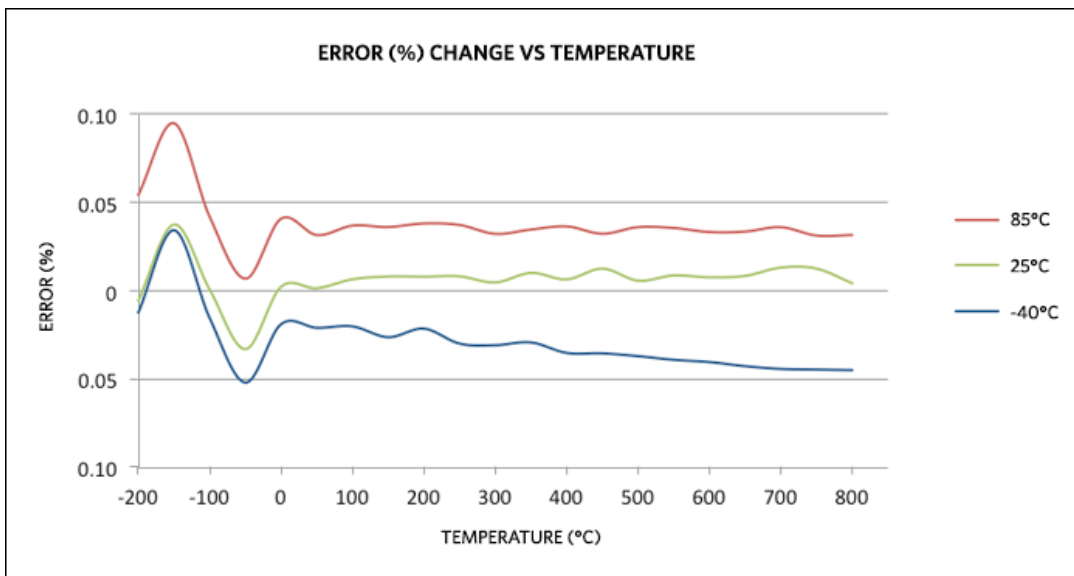


Figure 9. Error (%) change vs. temperature.

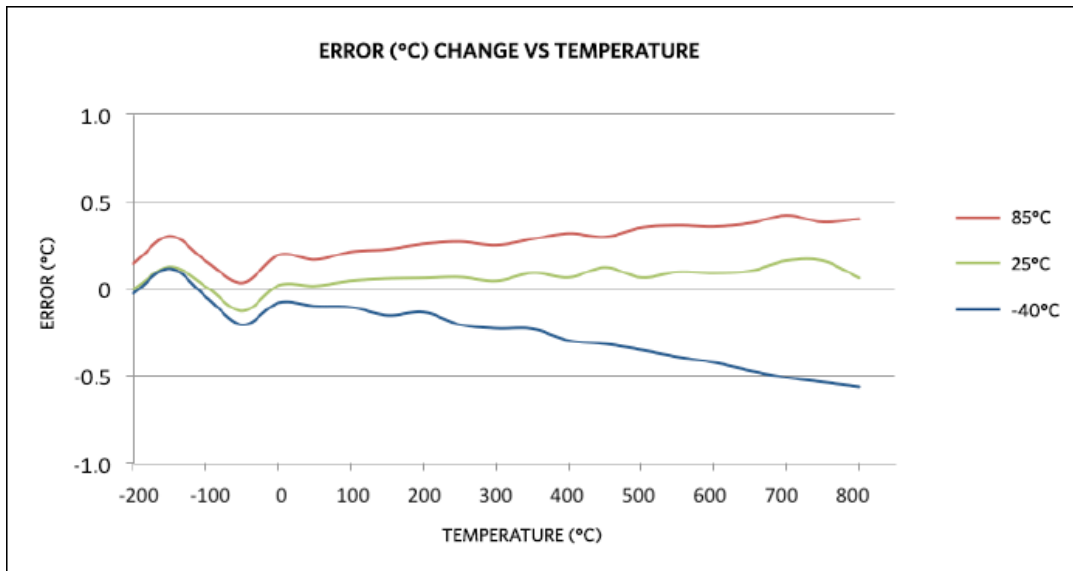


Figure 10. Error (°C) change vs. temperature.

The Novato design fits into standard head mounting DIN form B (< 40mm diameter) enclosure.

Buy Reference Design

Buy Direct: [Novato \(MAXREFDES16#\)](#)

Or

Order the Novato reference design (MAXREFDES16#) from your local Maxim representative.

Related Parts		
DS8500	HART Modem	Free Samples
MAX11213	16-Bit, Single-Channel, Ultra-Low Power, Delta-Sigma ADC with Programmable Gain and GPIO	Free Samples
MAX15006	40V, Ultra-Low Quiescent-Current Linear Regulators in 6-Pin TDFN/8-Pin SO	Free Samples
MAX4729	Low-Voltage 3.5½, SPDT, CMOS Analog Switches	Free Samples
MAX5216	14-/16-Bit, Low-Power, Buffered Output, Rail-to-Rail DACs with SPI Interface	Free Samples
MAX6133	3ppm/°C, Low-Power, Low-Dropout Voltage Reference	Free Samples
MAX9620	High-Efficiency, 1.5MHz Op Amps with RRIO	Free Samples

More Information

For Technical Support: <http://www.maximintegrated.com/support>

For Samples: <http://www.maximintegrated.com/samples>

Other Questions and Comments: <http://www.maximintegrated.com/contact>

Application Note 5817: <http://www.maximintegrated.com/an5817>

REFERENCE SCHEMATIC 5817, AN5817, AN 5817, APP5817, Appnote5817, Appnote 5817, 5610

© 2013 Maxim Integrated Products, Inc.

Additional Legal Notices: <http://www.maximintegrated.com/legal>