



Chipsmall Limited consists of a professional team with an average of over 10 year of expertise in the distribution of electronic components. Based in Hongkong, we have already established firm and mutual-benefit business relationships with customers from,Europe,America and south Asia,supplying obsolete and hard-to-find components to meet their specific needs.

With the principle of “Quality Parts,Customers Priority,Honest Operation,and Considerate Service”,our business mainly focus on the distribution of electronic components. Line cards we deal with include Microchip,ALPS,ROHM,Xilinx,Pulse,ON,Everlight and Freescale. Main products comprise IC,Modules,Potentiometer,IC Socket,Relay,Connector.Our parts cover such applications as commercial,industrial, and automotives areas.

We are looking forward to setting up business relationship with you and hope to provide you with the best service and solution. Let us make a better world for our industry!



## Contact us

Tel: +86-755-8981 8866 Fax: +86-755-8427 6832

Email & Skype: info@chipsmall.com Web: www.chipsmall.com

Address: A1208, Overseas Decoration Building, #122 Zhenhua RD., Futian, Shenzhen, China



# SPECIFICATION

Part No. : **MB.200.C**

Product Name : Magneto

Features : 3 Way Base Mount for LTE or WIFI MIMO 2\*2 antennas

- Magnetic Mount
- Wall Mount
- Desktop Mount

SMA(F) Jacks for Antennas  
 SMA(M) Straight Plug on Cable  
 Standard RG316 1 meter cable length  
 Dimensions 80mm \*96mm \* 25mm  
 RoHS compliant



Desk Top/ Magnetic Mount



Wall Mount

## 1. Introduction

The MB.200 is a sturdy 3 way base mount for LTE or WIFI MIMO 2\*2 Antennas. The standard base version comes with high quality 1 meter small diameter Teflon jacket RG316 cable to allow for flexibility of placement. The base has undergone extensive pull force testing.

The base SMA connectors where the antenna elements connect are SMA(F), so the mating antenna needs to be SMA(M) straight connector type. The base cable itself has a SMA(M) connector. The cable length and cable connector types are customizable, subject to MOQ. The connector can be customizable on the base itself subject to NRE and MOQ.

### Options

- Magnetic
- Desktop
- Wall

### Magnetic Mount

With six super-magnets embedded, the base mounts permanently to metal surfaces

### Wall Mount

Mounting holes in the base make it easy to mount on a wall

### Desktop

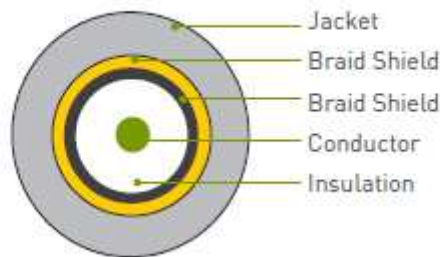
EVA foam under the base ensures a good grip for desktop use

In practice any antenna model with a standard SMA(M) connector can be used with this base. Taoglas has for 2G/3G/4G applications the TG.35, TG.30, TG.09, or TG.08 For Dual-band WiFi we recommend the TG35 or the GW71.

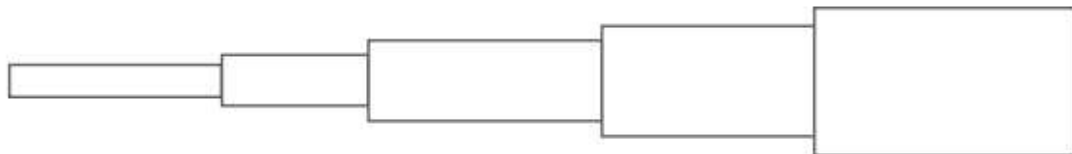
Contact your regional Taoglas sales office for support.

## 2. RG316 Cable Specification

### 2.1 Drawing – Cross Section



### 2.2 Structure and Dimensions

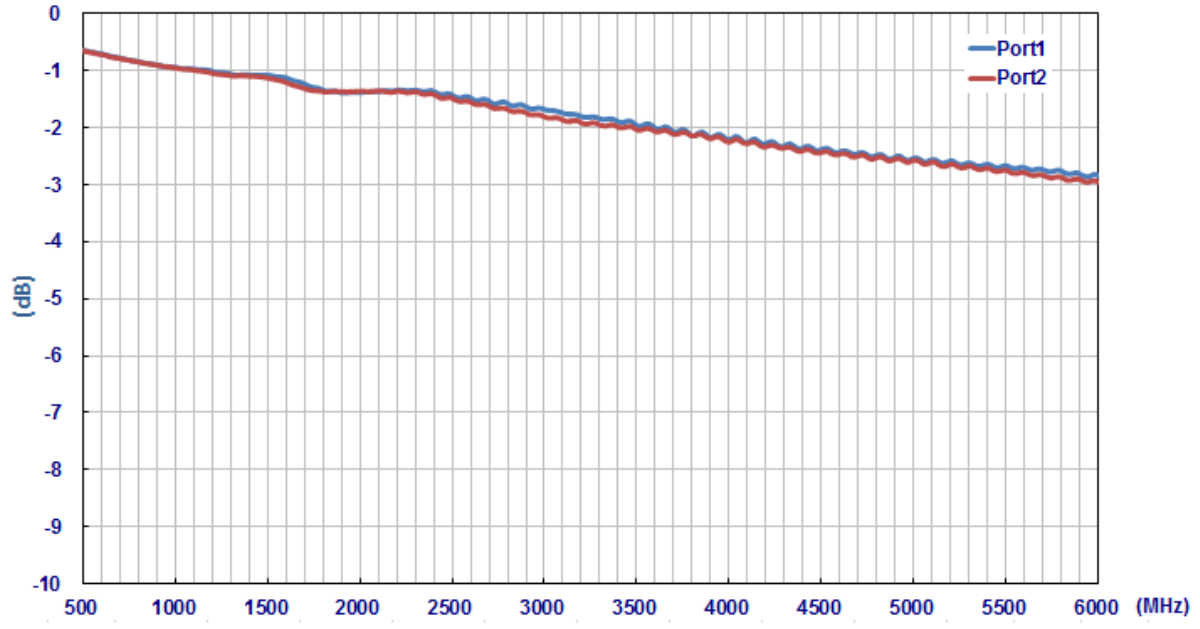


Conductor	Insulation	Braid Shield	Braid Shield	Jacket
<ul style="list-style-type: none"> <li>Material - Silver Coated Copper Clad Steel</li> <li>26AWG [7/0.175mm]</li> <li>Diameter - 0.53mm</li> </ul>	<ul style="list-style-type: none"> <li>Material - FEP</li> <li>Avg. Thickness - 0.51mm</li> <li>Diameter - 1.53±0.03mm</li> <li>Colour - Clear</li> </ul>	<ul style="list-style-type: none"> <li>Material - Silver Coated Copper</li> <li>Structure - 16/5/0.10mm</li> <li>Coverage - 95%</li> <li>Diameter - 1.98±0.05mm</li> </ul>	<ul style="list-style-type: none"> <li>Material - Silver Coated Copper</li> <li>Structure - 16/5/0.10mm</li> <li>Coverage - 86%</li> <li>Diameter - 2.38±0.05mm</li> </ul>	<ul style="list-style-type: none"> <li>Material - FEP</li> <li>Avg. Thickness - 0.30mm</li> <li>Diameter - 2.90±0.10mm</li> <li>Colour - Brown</li> </ul>

<b>Rating Temp Voltage:</b>	105°C 30V
<b>Insulation Resistance:</b>	3000 MΩ-Km (Min)
<b>Conductor Resistance:</b>	302 Ω/Km 20°C (Max)
<b>Dielectric Strength:</b>	AC 1 KV/Minute
<b>Spark Test</b>	5.0 KV
<b>Nom. Impedance</b>	50 ± 3 Ω
<b>Nom. Capacitance</b>	95.8 ± 3 pF/m
<b>Nom. Vel. of Prop.</b>	69%
<b>VSWR (0-6 GHz)</b>	Max 1.3

<b>Attenuation</b>	<b>2GHz</b>	<b>2.4GHz</b>	<b>3GHz</b>	<b>4GHz</b>	<b>5GHz</b>	<b>6GHz</b>
<b>[dB / 1M]</b>	1.35	1.5	1.62	1.91	2.2	2.7

### 2.3 Cable Insertion Loss



## 2.4 Electrical & Physical Specification

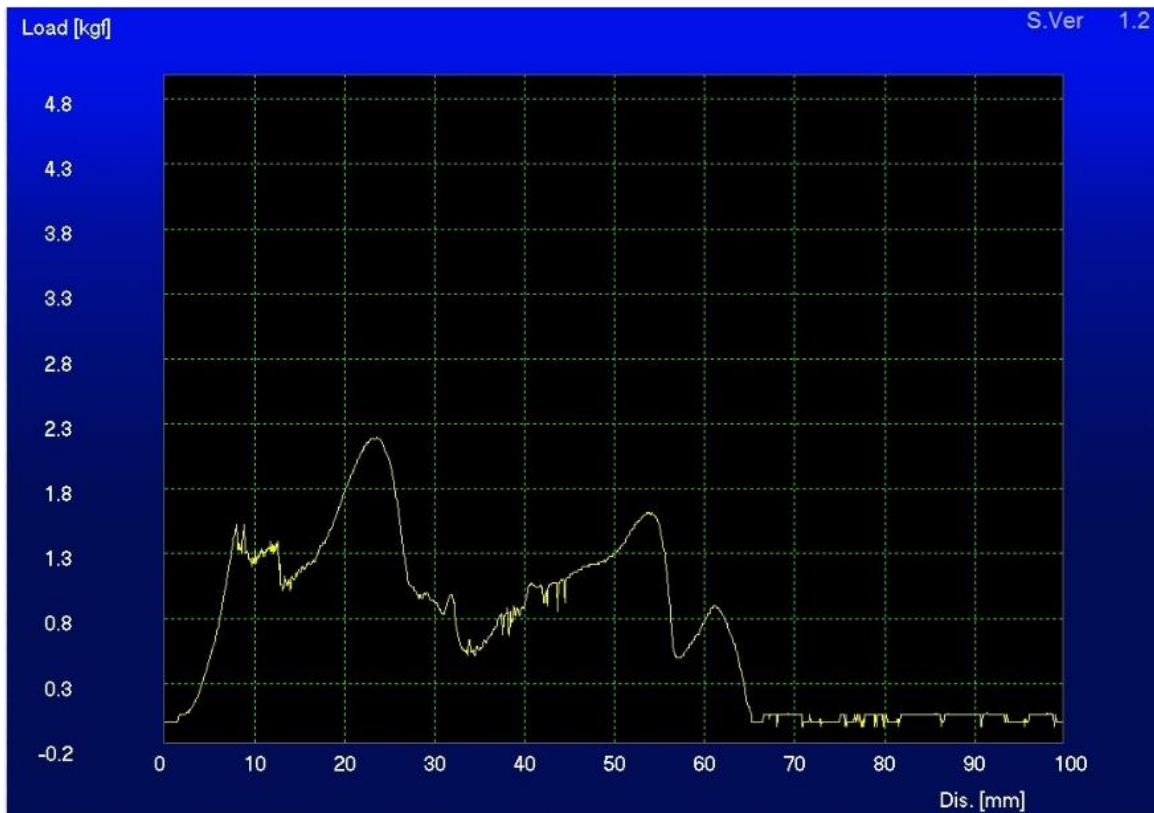
MB200 Port1							
Attenuation	500MHz	1000MHz	2000MHz	3000MHz	4000MHz	5000MHz	6000MHz
S12	-0.64	-0.94	-1.39	-1.68	-2.21	-2.54	-2.84
Nom. Impedance	50 Ohm						
MB200 Port1							
Frequency (MHz)	500MHz	1000MHz	2000MHz	3000MHz	4000MHz	5000MHz	6000MHz
S12	-0.66	-0.96	-1.36	-1.81	-2.25	-2.58	-2.96
Nom. Impedance	50 Ohm						
MECHANICAL							
Casing	ABS+PC						
Coaxial Cable	RG316						
Cable Length	1 meters						
Connector	SMA(M)ST						
Connector Max. Torque	0.9 Nm						
Weight	220 g						
Magnetic mount (unit)	1.0 kgf						
ENVIRONMENTAL							
Operation Temperature	-40°C to 85°C						
Storage Temperature	-40°C to 85°C						
Humidity	Non-condensing 65°C 95% RH						

### 3. Magnetic Pull Force (Kilogram-Force (kgf))



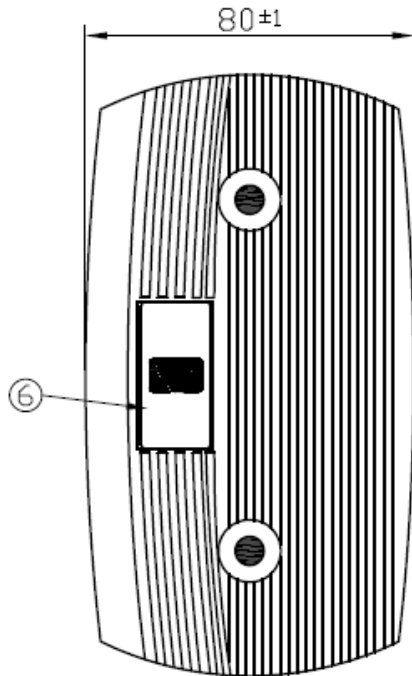
Horizontal Pull Force Breakdown : 1.28Kgf

Distance(mm)	10	20	30	40	50	60	70
Pulling force(Kgf)	1.28	1.79	0.92	0.93	1.3	0.79	0.06

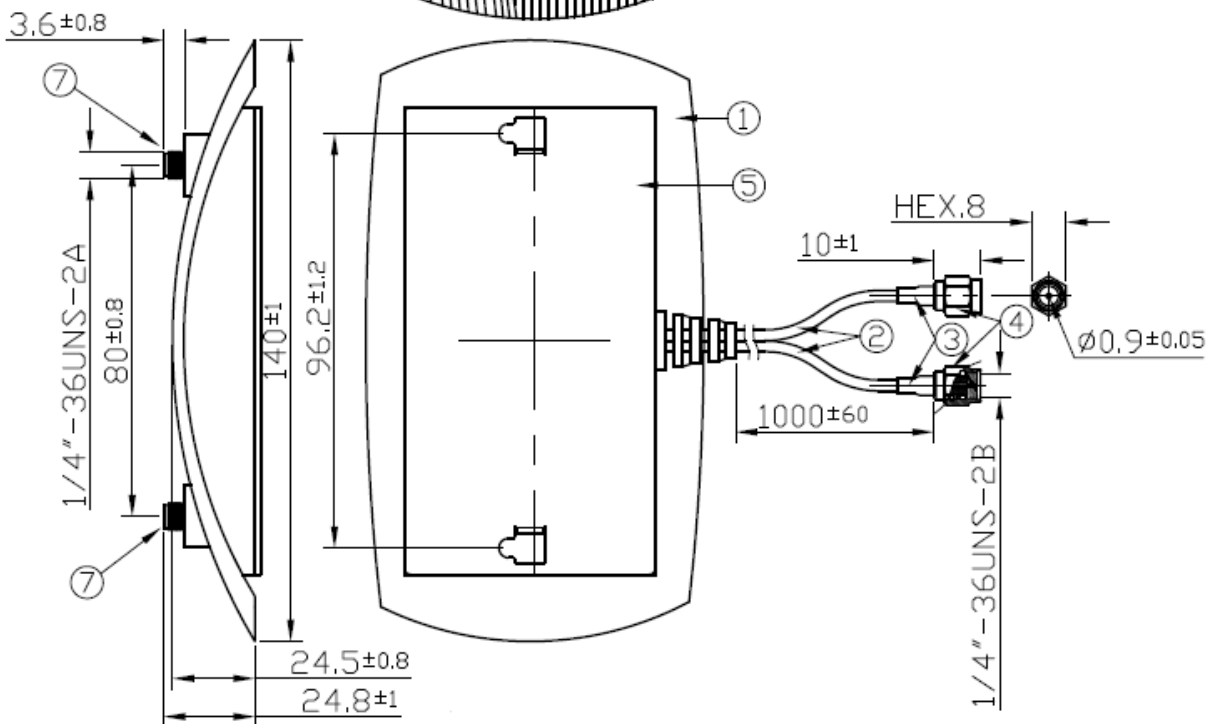




## 4. Mechanical Drawing

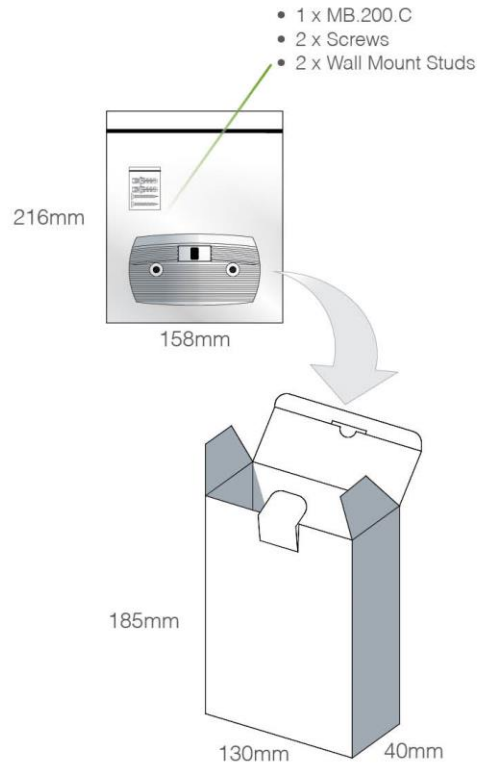


	Name	P/N	Material	Finish	QTY
1	Housing	000114E000087A	ABS+PC	Black	1
2	RG316 Coaxial Cable	301614E000087A	FEP	Brown	2
3	Heat Shrink Tube	001313D000087A	PE	Black	2
4	SMA(M)ST	200212L010087A	Brass	Gold	2
5	MB.200 Bottom Foam	001014E050087A	EVA+T4000	Black	1
6	MB.200 Logo Label $\Delta_{0.03}$	001014E040087A	Coated Paper $\Delta_{0.03}$	Black	1
7	SMA(F)BH ST	200214J000087A	Brass	Gold	2



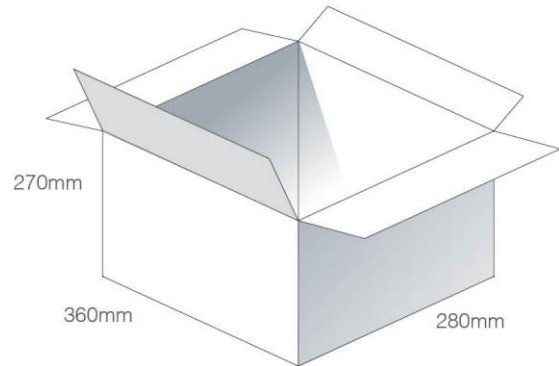
## 5. Packaging

1 MB.200.C per PE bag  
 Bag Dimensions - 216cm\*158cm  
 1 PE bag per Box  
 Box Dimensions - 185\*130\*40mm  
 Total Weight - 180g

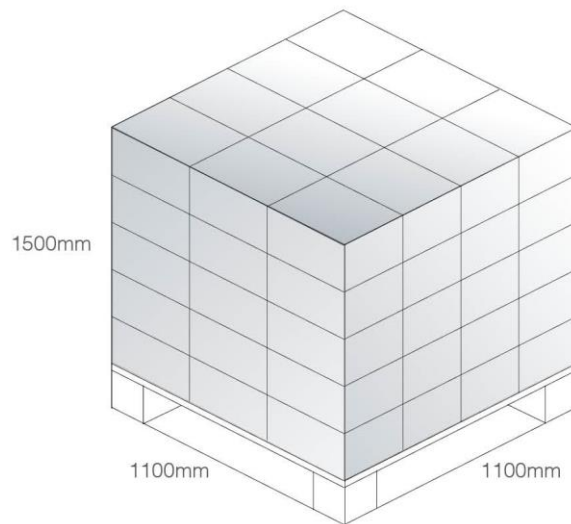




19 boxes per carton  
Carton Dimensions - 360\*280\*270mm  
Weight - 5Kg



Pallet Dimensions 1100\*1120\*1500mm  
60 Cartons per Pallet  
12 Cartons per layer  
5 Layers



## 6. Mounting Type

### 6.1 Wall Mount installation



Reference Antenna: TG.35.0113

### 6.2 Magnet Mount installation



Reference Antenna: TG.35.0113

### 6.3 Desktop Mount installation

