



Chipsmall Limited consists of a professional team with an average of over 10 year of expertise in the distribution of electronic components. Based in Hongkong, we have already established firm and mutual-benefit business relationships with customers from,Europe,America and south Asia,supplying obsolete and hard-to-find components to meet their specific needs.

With the principle of “Quality Parts,Customers Priority,Honest Operation,and Considerate Service”,our business mainly focus on the distribution of electronic components. Line cards we deal with include Microchip,ALPS,ROHM,Xilinx,Pulse,ON,Everlight and Freescale. Main products comprise IC,Modules,Potentiometer,IC Socket,Relay,Connector.Our parts cover such applications as commercial,industrial, and automotives areas.

We are looking forward to setting up business relationship with you and hope to provide you with the best service and solution. Let us make a better world for our industry!



## Contact us

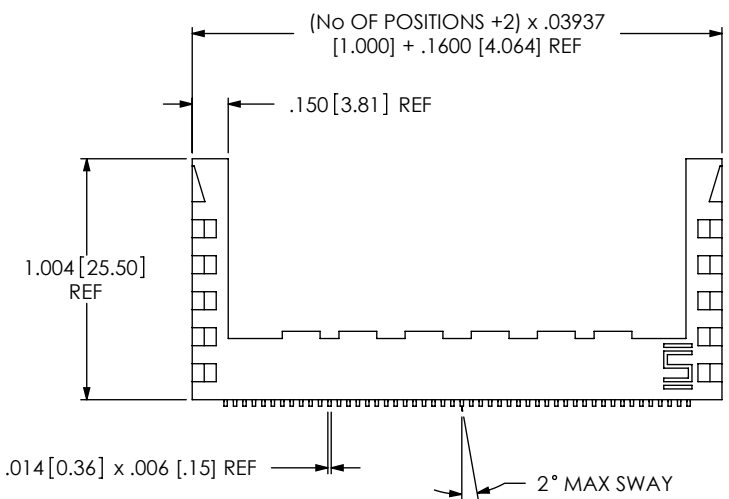
Tel: +86-755-8981 8866 Fax: +86-755-8427 6832

Email & Skype: info@chipsmall.com Web: www.chipsmall.com

Address: A1208, Overseas Decoration Building, #122 Zhenhua RD., Futian, Shenzhen, China



DO NOT SCALE FROM THIS PRINT



CARD	"A"	"B"
-01	.038 [0.97]	.102 [2.59]
-02	.072 [1.83]	.132 [3.35]

MB1-1XX-XX-XX-S-XX-XX-X

No OF POSITIONS  
-20, -30, -40, -50

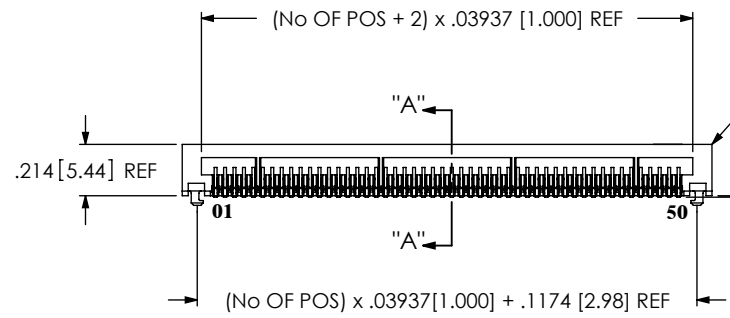
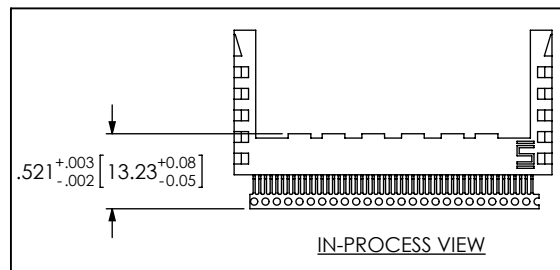
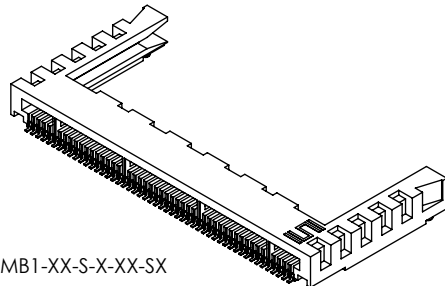
LEAD STYLE  
-01

PLATING SPECIFICATION  
 -S: SELECTIVE GOLD (USE C-116-02-S)  
 -L: SELECTIVE LIGHT GOLD (USE C-116-02-L)  
 -F: SELECTIVE FLASH GOLD (USE C-116-02-F)  
 -SM: SELECTIVE GOLD (USE C-116-02-S) W/ MATTE TIN TAILS  
 -LM: SELECTIVE LIGHT GOLD (USE C-116-02-L) W/ MATTE TIN TAILS  
 -FM: SELECTIVE FLASH GOLD (USE C-116-02-F) W/ MATTE TIN TAILS

OPTION  
 -N: (USE MB1-XX-S-X-XX-N)  
 SOLDER LOCKS  
 -A1: FOR .031 BOARD (USE MB1-XX-S-X-A1-X) [SEE TABLE 3]  
 -SL: FOR .062 BOARD (USE MB1-XX-S-X-SL-X)

CARD THICKNESS  
 -01: .031 THICK CARD (USE MB1-XX-S-T-XX-X)  
 -02: .062 THICK CARD (USE MB1-XX-S-S-XX-X) [SEE TABLE 1]

ROW SPECIFICATION  
 -S: SINGLE ROW



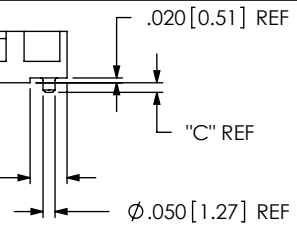
SEE TABLE 2

STYLE	"C"
-A1	.035[0.89]
-SL	.050[1.27]

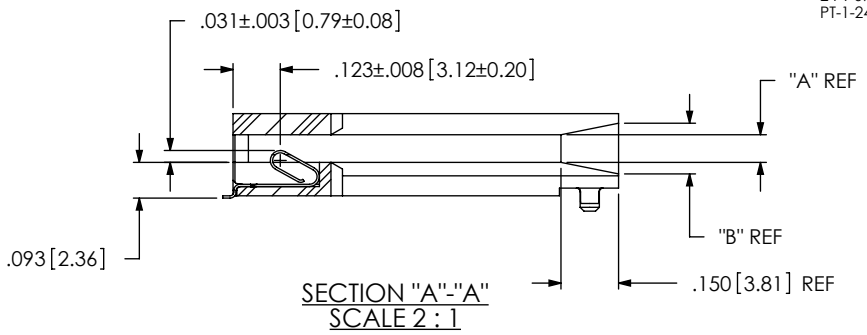
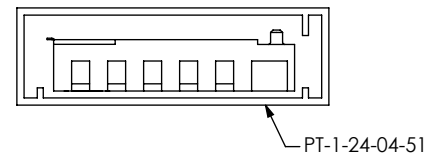
PATENT NUMBERS  
6159045

No. OF POS	MAX COPLANARITY
20 - 39	.004 [.10]
40 - 50	.006 [.15]

- NOTES:
1. REPRESENTS A CRITICAL DIMENSION.
  2. THIS NOTE WAS DELETED.
  3. BURR ALLOWANCE: .0015 MAX.
  4. MAXIMUM CUT FLASH: .010.
  5. MINIMUM PUSHOUT FORCE: .5 LB.
  6. THIS NOTE WAS DELETED.
  7. ARMLESS VERSION TO USE TUBE NUMBER PT-1-24-02-38 AND 2 PT-07 PLUGS. ARMED VERSION TO USE TUBE NUMBER PT-1-24-04-51 AND 2 TP-13 PLUGS.



PACKAGING VIEW  
(SEE NOTE 7)



UNLESS OTHERWISE SPECIFIED, DIMENSIONS ARE IN INCHES.  
 TOLERANCES ARE:  
 DECIMALS ANGLES  
 .XX: ±.01 2°  
 .XXX: ±.005  
 .XXXX: ±.0020

PROPRIETARY NOTE  
 THIS DOCUMENT CONTAINS CONFIDENTIAL AND PROPRIETARY INFORMATION AND ALL DESIGN, MANUFACTURING, REPRODUCTION, USE, PATENT RIGHTS AND SALES RIGHTS ARE EXPRESSLY RESERVED BY SAMTEC, INC. THIS DOCUMENT SHALL NOT BE DISCLOSED, IN WHOLE OR PART, TO ANY UNAUTHORIZED PERSON OR ENTITY NOR REPRODUCED, TRANSFERRED OR INCORPORATED IN ANY OTHER PROJECT IN ANY MANNER WITHOUT THE EXPRESS WRITTEN CONSENT OF SAMTEC, INC.



520 PARK EAST BLVD, NEW ALBANY, IN 47150  
 PHONE: 812-944-6733 FAX: 812-948-5047  
 e-Mail: info@SAMTEC.com code: 55322

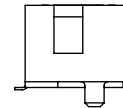
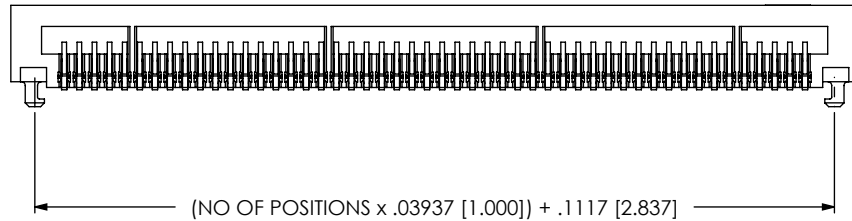
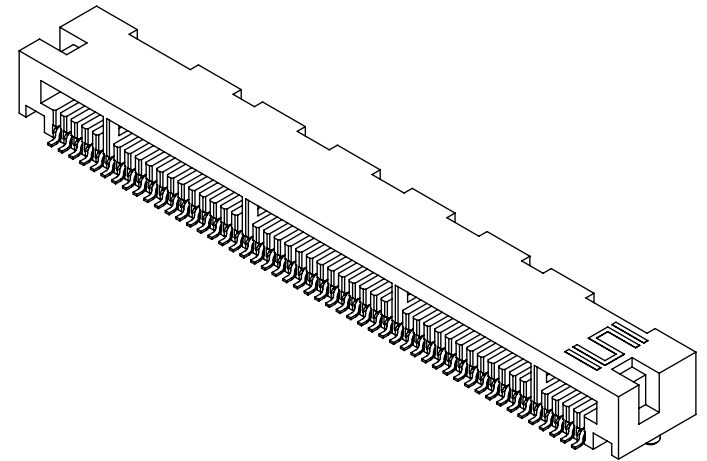
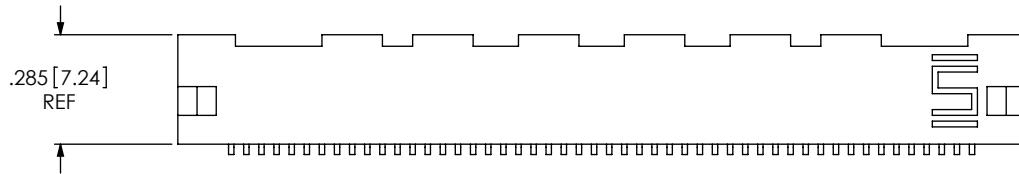
MATERIAL: DO NOT SCALE DRAWING SHEET SCALE: 1.25:1  
 BODY: VECTRA E130i  
 COLOR: BLACK  
 CONTACT: BeCu, 190 XHM

DESCRIPTION:  
1mm MINI-CARD GUIDE

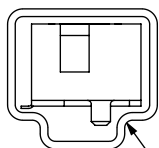
DWG. NO.  
MB1-1XX-XX-XX-S-XX-XX-X

BY: JEREMYW 03-19-99 SHEET 1 OF 2

-N OPTION  
(ALL DIMS SAME EXCEPT AS SHOWN)

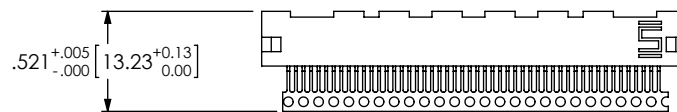


PACKAGING VIEW  
(SEE NOTE 7)



PT-1-24-02-38

IN-PROCESS VIEW [-N OPTION]



F:\DWG\MISC\MKTG\MB1-1XX-XX-XX-S-XX-XX-X-MKT.SLDDRW

**PROPRIETARY NOTE**  
THIS DOCUMENT CONTAINS CONFIDENTIAL AND PROPRIETARY INFORMATION AND ALL DESIGN, MANUFACTURING, REPRODUCTION, USE, PATENT RIGHTS AND SALES RIGHTS ARE EXPRESSLY RESERVED BY SAMTEC, INC. THIS DOCUMENT SHALL NOT BE DISCLOSED, IN WHOLE OR PART, TO ANY UNAUTHORIZED PERSON OR ENTITY NOR REPRODUCED, TRANSFERRED OR INCORPORATED IN ANY OTHER PROJECT IN ANY MANNER WITHOUT THE EXPRESS WRITTEN CONSENT OF SAMTEC, INC.



520 PARK EAST BLVD, NEW ALBANY, IN 47150  
PHONE: 812-944-6733 FAX: 812-948-5047  
e-Mail: info@SAMTEC.com code: 55322

DO NOT SCALE DRAWING

SHEET SCALE: 2:1

DESCRIPTION:  
1mm MINI-CARD GUIDE

DWG. NO.  
**MB1-1XX-XX-XX-S-XX-XX-X**

BY: JEREMYW 03-19-99

SHEET 2 OF 2