



Chipsmall Limited consists of a professional team with an average of over 10 year of expertise in the distribution of electronic components. Based in Hongkong, we have already established firm and mutual-benefit business relationships with customers from,Europe,America and south Asia,supplying obsolete and hard-to-find components to meet their specific needs.

With the principle of “Quality Parts,Customers Priority,Honest Operation,and Considerate Service”,our business mainly focus on the distribution of electronic components. Line cards we deal with include Microchip,ALPS,ROHM,Xilinx,Pulse,ON,Everlight and Freescale. Main products comprise IC,Modules,Potentiometer,IC Socket,Relay,Connector.Our parts cover such applications as commercial,industrial, and automotives areas.

We are looking forward to setting up business relationship with you and hope to provide you with the best service and solution. Let us make a better world for our industry!



Contact us

Tel: +86-755-8981 8866 Fax: +86-755-8427 6832

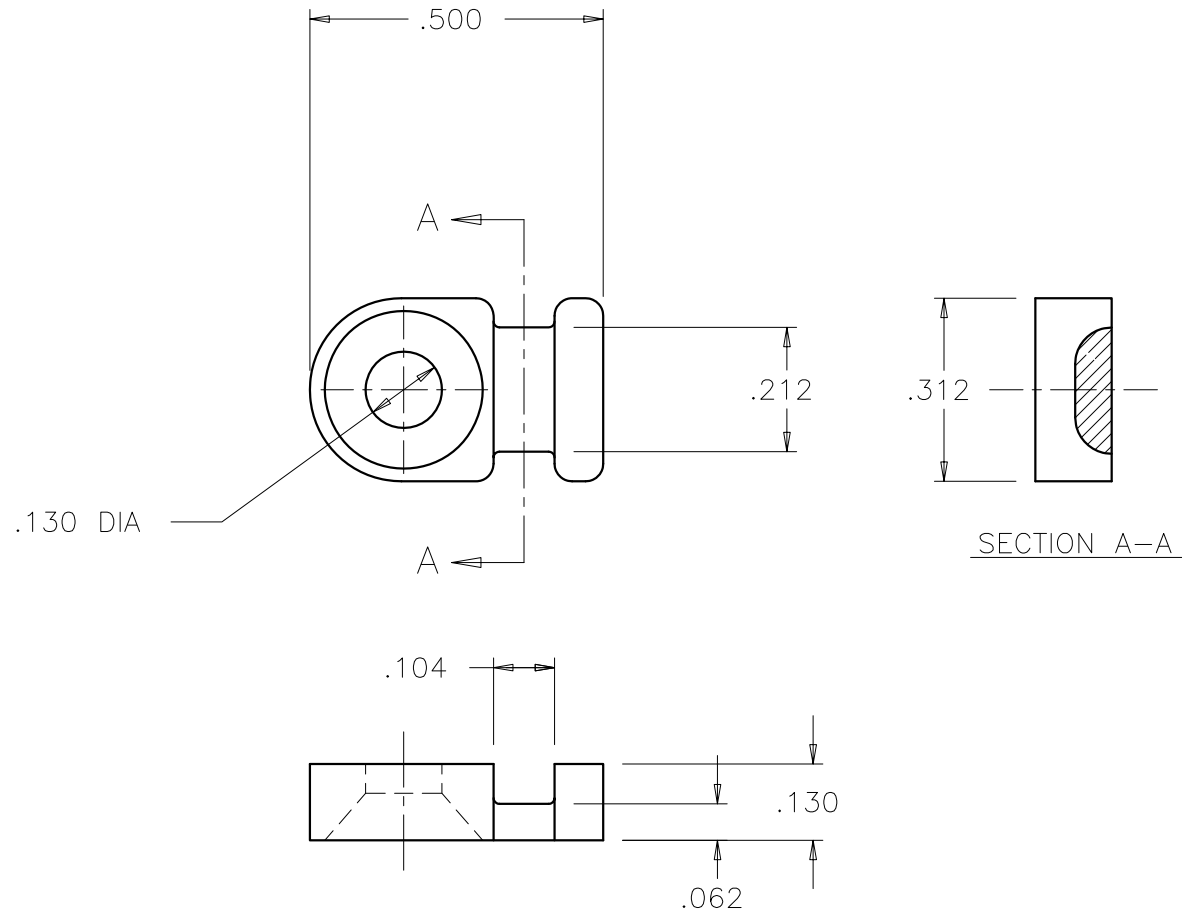
Email & Skype: info@chipsmall.com Web: www.chipsmall.com

Address: A1208, Overseas Decoration Building, #122 Zhenhua RD., Futian, Shenzhen, China



NOTES:

1. MB-1 TO BE USED WITH:
T-18 SERIES TIES
2. FASTENER: #4 SCREW



DRAWING

HellermanTyton

ALL PROPRIETARY RIGHTS IN THE SUBJECT MATTER SHOWN ON THIS DRAWING ARE EXCLUSIVE PROPERTY OF HELLERMANNITYTON

name	date	city, state

REVISION

level	date	by	ECN #	part level
01	02/04/13	AAC	012272	A

DIMENSIONS

TOLERANCES
 .XXXX= ±.005
 .XXX= ±.005
 .XX= ±.005
 .X= ±.005
 ∠= ±1°
 unless otherwise specified
 units inches

PART

number	MB-1	phase	PRODUCTION
name	MB-1 TIE MOUNT		
material	PA66		

DRAWING

FORMAT	AH version	Q	CAD	ACAD	scale	3X
computer file number	MT/CST/2005001_00		previous number		MT\A2005001	
drawn	D. RETZLAFF	checked	K.A.C.	approved		
date	02/20/89	checked	02/04/13	approved		
type	CUSTOMER			sheet 1 of 1		
number	MT2005001CST					