



Chipsmall Limited consists of a professional team with an average of over 10 year of expertise in the distribution of electronic components. Based in Hongkong, we have already established firm and mutual-benefit business relationships with customers from,Europe,America and south Asia,supplying obsolete and hard-to-find components to meet their specific needs.

With the principle of “Quality Parts,Customers Priority,Honest Operation,and Considerate Service”,our business mainly focus on the distribution of electronic components. Line cards we deal with include Microchip,ALPS,ROHM,Xilinx,Pulse,ON,Everlight and Freescale. Main products comprise IC,Modules,Potentiometer,IC Socket,Relay,Connector.Our parts cover such applications as commercial,industrial, and automotives areas.

We are looking forward to setting up business relationship with you and hope to provide you with the best service and solution. Let us make a better world for our industry!



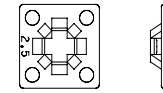
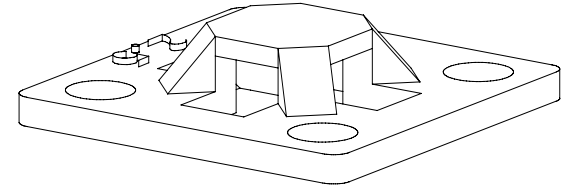
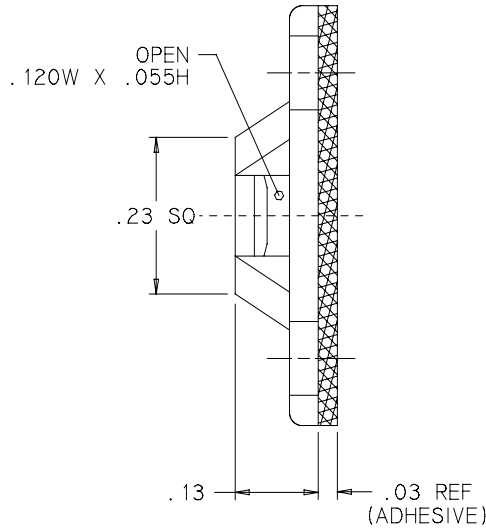
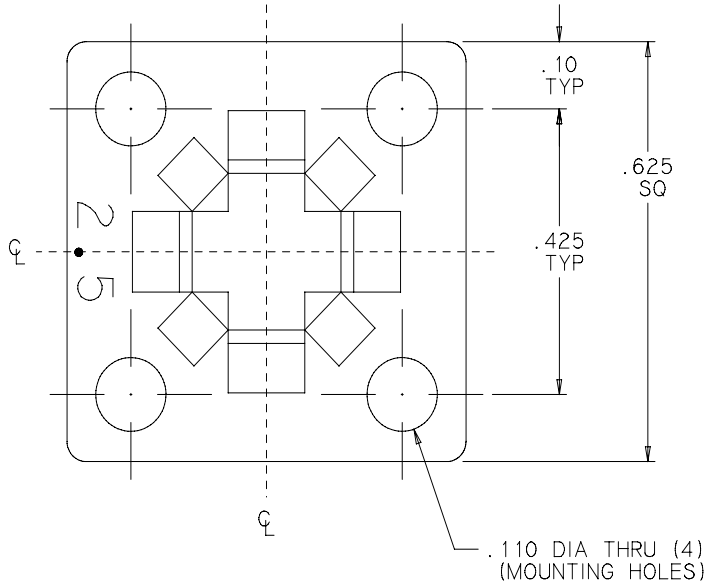
Contact us

Tel: +86-755-8981 8866 Fax: +86-755-8427 6832

Email & Skype: info@chipsmall.com Web: www.chipsmall.com

Address: A1208, Overseas Decoration Building, #122 Zhenhua RD., Futian, Shenzhen, China





FULL SCALE

MB-2.5	3 SCREW
MB-2.5A	ADHESIVE TAPE
CATALOG NUMBER	MOUNTING METHOD

REV	BY	CHANGED	RELEASED	DASH
		DATE		NUMBER

NOTES:
1. APPLICATION: USE WITH T18 SERIES CABLE TIES

FORMATB

DIMENSIONS	VERIFIED	UNITS	TOLERANCES unless otherwise specified	
	name	<input checked="" type="checkbox"/> in <input type="checkbox"/> mm	.XXX = ±.010 .X =	
	date	<input type="checkbox"/> in <input type="checkbox"/> mm	.XX = ±.01 <=	
MATERIAL	NYLON 6/6 or engineering approved equivalent			

NAME	
DATE	
drawn	G GEIGER
	4/22/91
checked	
approved	

PART NAME		MOUNTING BASE (4 WAY)	
		MB-2.5 & MB-2.5A	
plot date	scale	PEN FILE	PENFILE1.PEN
4/23/91	5X	COMPUTER	A\F:\MT\2001B101
page	DRAWING NO. WAS	CUSTOMER DRAWING NUMBER	
1 of 1		MT2001C101	

Product Number
Cross Reference Record

Uncontrolled Document

Pre-UNS Number System	(New) UNS Universal Number System	Customer Part Number
Product Number MB2.5A10C2	Product Number	Product Number -
Reference Drawing Number: MT2001C101		

Issued By:	(New) UNS Product Number	Issue Date:
HellermannTyton	Universal Numbering System	May 23, 2012