



Chipsmall Limited consists of a professional team with an average of over 10 year of expertise in the distribution of electronic components. Based in Hongkong, we have already established firm and mutual-benefit business relationships with customers from,Europe,America and south Asia,supplying obsolete and hard-to-find components to meet their specific needs.

With the principle of “Quality Parts,Customers Priority,Honest Operation,and Considerate Service”,our business mainly focus on the distribution of electronic components. Line cards we deal with include Microchip,ALPS,ROHM,Xilinx,Pulse,ON,Everlight and Freescale. Main products comprise IC,Modules,Potentiometer,IC Socket,Relay,Connector.Our parts cover such applications as commercial,industrial, and automotives areas.

We are looking forward to setting up business relationship with you and hope to provide you with the best service and solution. Let us make a better world for our industry!



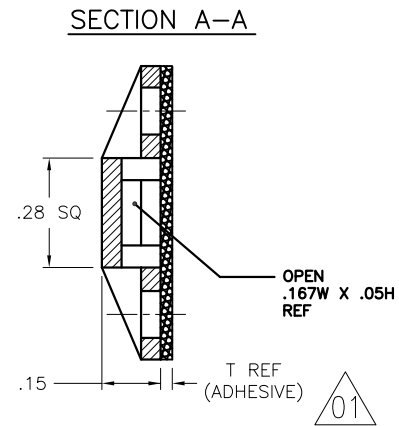
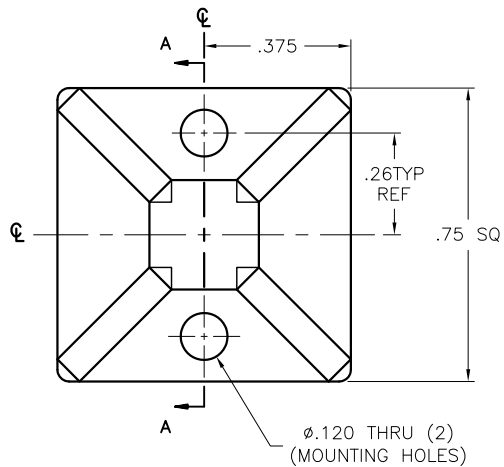
Contact us

Tel: +86-755-8981 8866 Fax: +86-755-8427 6832

Email & Skype: info@chipsmall.com Web: www.chipsmall.com

Address: A1208, Overseas Decoration Building, #122 Zhenhua RD., Futian, Shenzhen, China





01	01	01	01		
	MB3A_A2	.045	VHB ACRYLIC ADHESIVE FOAM TAPE	PA66	T18 thru T30
	MB3A	.032	RUBBER BASED ADHESIVE FOAM TAPE		
MB3	-	#4 SCREW(NOT INCL)			
PART NUMBER	T	MOUNTING METHOD	MOUNT MATERIAL	CABLE TIE SERIES	

HellermanTyton

ALL PROPRIETARY RIGHTS IN THE SUBJECT MATTER SHOWN ON THIS DRAWING ARE EXCLUSIVE PROPERTY OF HELLERMANNITYTON

name	date	city, state

REVISION

level	01
date	04/12/10
by	AAC
ECN #	011537
part level	A

DIMENSIONS

Tolerance: .XXXX=

.XXX= ±.005

.XX= ±.01

.X=

∠=

unless otherwise specified

units inches

PART

number	SEE CHART	phase	PRODUCTION
name	MOUNTING BASE (4 WAY) MB3 & MB3A		
material	SEE CHART		

DRAWING

FORMAT	AH version Q	CAD	ACAD	scale	2X
computer file number	MT\CST\2001102_01	previous number	MT2001C102		
drawn	G.G.G.	checked	K.A.C.	approved	
date	10/05/90	date	04/12/10	date	
type	CUSTOMER			sheet	1 of 1
number	MT2001102CST				

Product Number
Cross Reference Record

Uncontrolled Document

Pre-UNS Number System	(New) UNS Universal Number System	Customer Part Number
Product Number MB3A10C2	Product Number -	Product Number -
Reference Drawing Number: MT2001102CST		

Issued By:	(New) UNS Product Number	Issue Date:
HellermannTyton	Universal Numbering System	April 19, 2011