



Chipsmall Limited consists of a professional team with an average of over 10 year of expertise in the distribution of electronic components. Based in Hongkong, we have already established firm and mutual-benefit business relationships with customers from,Europe,America and south Asia,supplying obsolete and hard-to-find components to meet their specific needs.

With the principle of “Quality Parts,Customers Priority,Honest Operation,and Considerate Service”,our business mainly focus on the distribution of electronic components. Line cards we deal with include Microchip,ALPS,ROHM,Xilinx,Pulse,ON,Everlight and Freescale. Main products comprise IC,Modules,Potentiometer,IC Socket,Relay,Connector.Our parts cover such applications as commercial,industrial, and automotives areas.

We are looking forward to setting up business relationship with you and hope to provide you with the best service and solution. Let us make a better world for our industry!



Contact us

Tel: +86-755-8981 8866 Fax: +86-755-8427 6832

Email & Skype: info@chipsmall.com Web: www.chipsmall.com

Address: A1208, Overseas Decoration Building, #122 Zhenhua RD., Futian, Shenzhen, China





MB39C831

Ultra Low Voltage Boost Power Management IC for Solar/Thermal Energy Harvesting Datasheet

Description

The MB39C831 is the high-efficiency synchronous rectification boost DC/DC converter IC which efficiently supplies energy getting from the solar cell with the single cell or multiple cells, or from the thermoelectric generator (TEG) to the Li-ion battery.

It contains the function to control the DC/DC converter output following the maximum power point of the solar cell (MPPT: Maximum Power Point Tracking) and the protection function to charge the Li-ion battery safely.

It is possible to start-up from 0.35 V using the low-voltage process and adapts the applications which the single cell solar cell is treated as the input.

Features

- Operation input voltage range : 0.3V to 4.75V
- Output voltage adjustment range : 3.0V to 5.0V
- Minimum input voltage at start-up : 0.35V
- Quiescent Current (No load) : 41 μ A
- Input peak current limit : 200 mA
- Built-in MPPT
- Charge voltage to the Li-ion battery/current protection function built in
- Improvement of the efficiency during the low-output power according to the auto PFM/PWM switching mode

Applications

- Solar energy harvesting
- Thermal energy harvesting
- Li-ion battery using the single cell or multiple cells' solar cell/Super Capacitor Charger
- Portable audio players
- Cellular phone
- eBook
- Electronic dictionary
- Wireless remote controllers
- Sensor node

Note: This product supports the web-based design simulation tool, Easy DesignSim.

It can easily select external components and can display useful information.

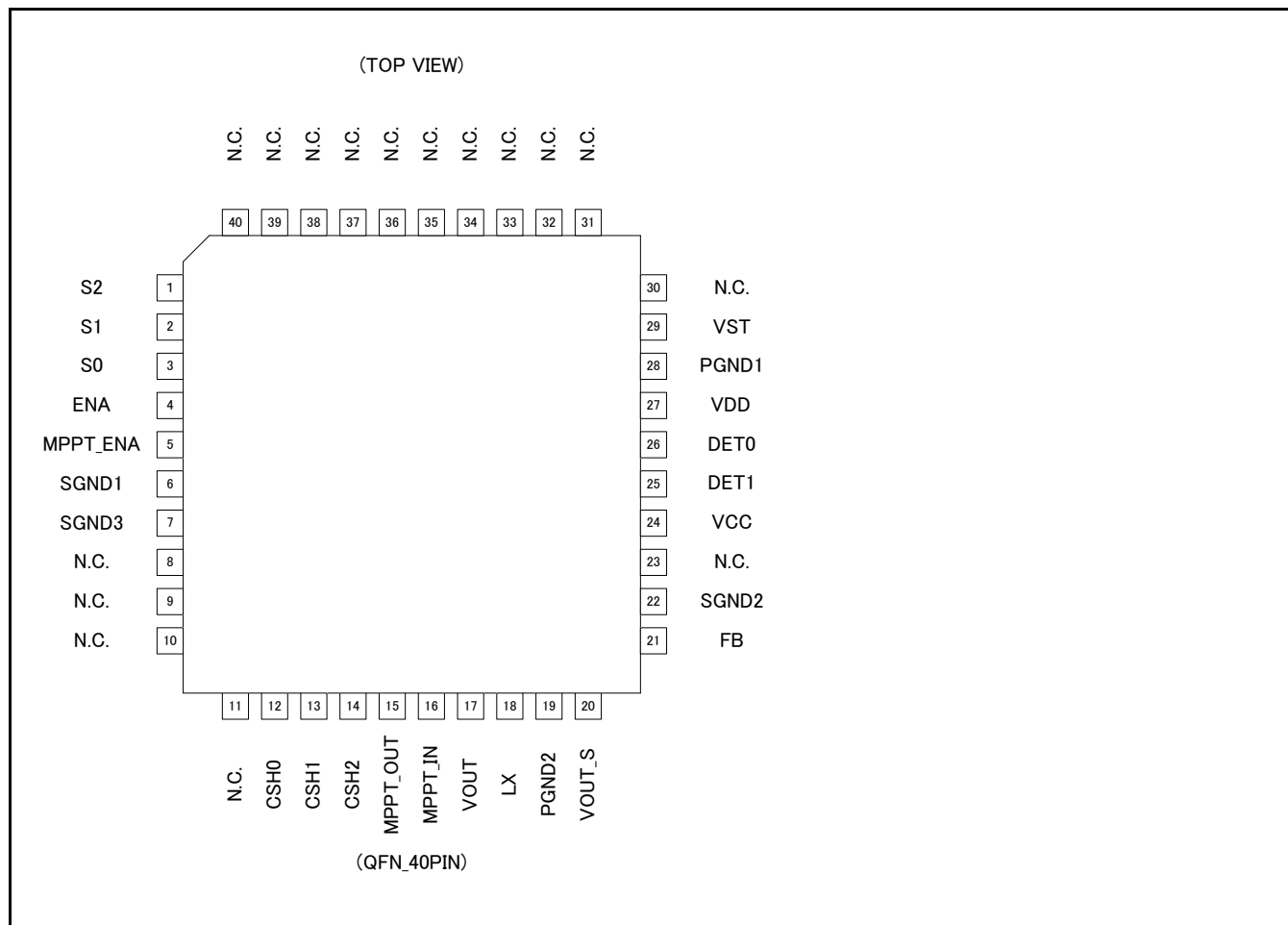
Please access from <http://cypress.transim.com/login.aspx>

Contents

1. Pin Assignments	3
2. Pin Descriptions	4
3. Block Diagram	5
4. Absolute Maximum Ratings	6
5. Recommended Operating Conditions	7
6. Electrical Characteristics	7
6.1 Electrical Characteristics of Constant Voltage Mode	7
6.2 Electrical Characteristics of Charge Mode	8
6.3 Electrical Characteristics of Boost DC/DC Converter	8
7. Function	9
7.1 Outline of Operation	9
7.2 Start-up/Shut-down Sequence	9
7.3 MPPT Control	12
7.4 Function Description	14
8. Typical Applications Circuit	18
9. Application Notes	21
10. Typical Characteristics	23
11. Layout for Printed Circuit Board	28
12. Usage Precaution	29
13. Ordering Information	29
14. Marking	29
15. Product Labels	30
16. Recommended Mounting Conditions	34
17. Package Dimensions	36
Major Changes	37

1. Pin Assignments

Figure 1-1 Pin Assignments



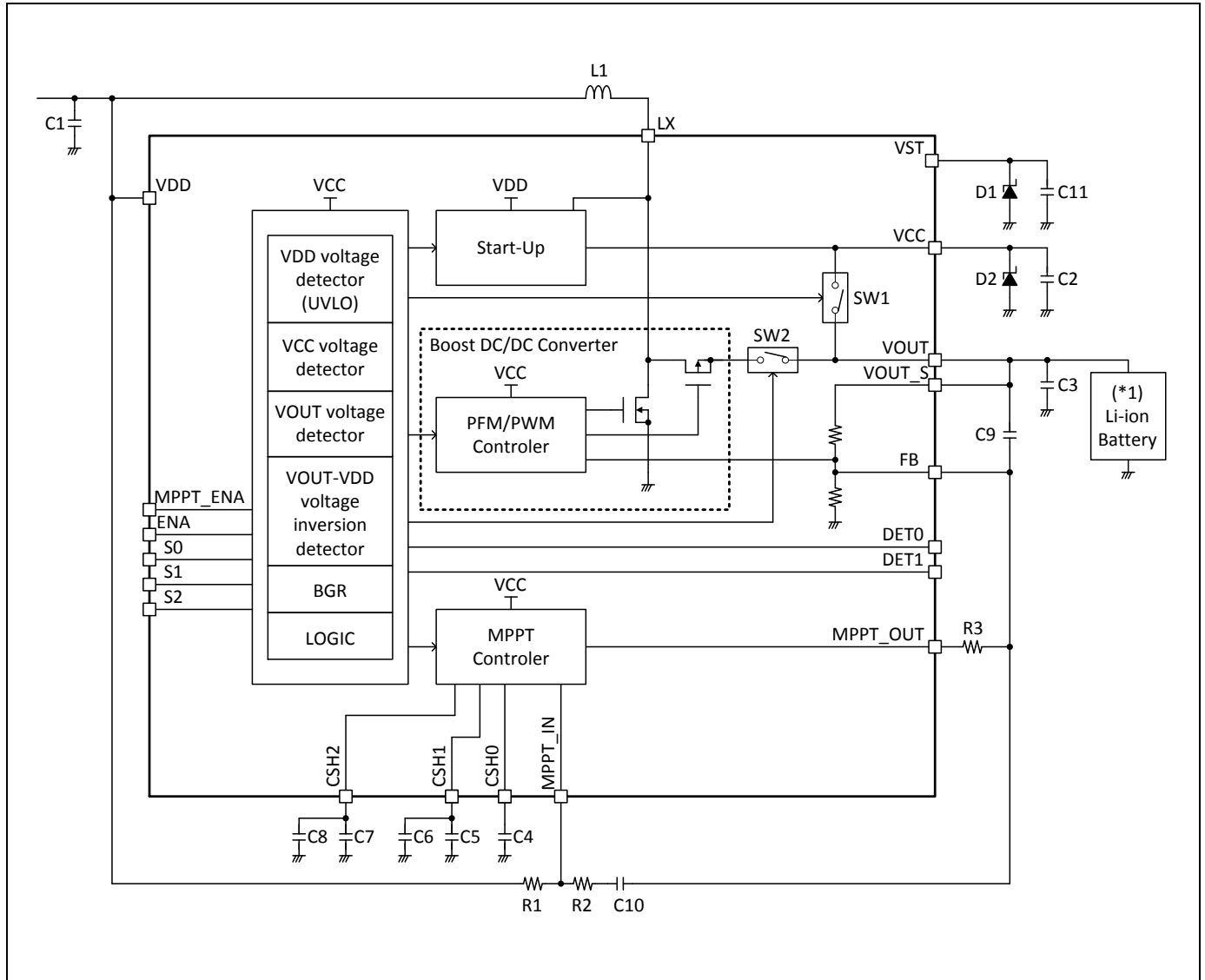
2. Pin Descriptions

Table 2-1 Pin Descriptions

Pin No.	Pin Name	I/O	Description
1	S2	I	Input pin for preset output voltage setting and MPPT setting
2	S1	I	Input pin for preset output voltage setting and MPPT setting
3	S0	I	Input pin for preset output voltage setting and MPPT setting
4	ENA	I	DC/DC converter control input pin
5	MPPT_ENA	I	MPPT control input pin
6	SGND1	-	Analog ground pin
7	SGND3	-	Analog ground pin
8, 9, 10, 11	N.C.	-	Non connection pins (Leave these pins open.)
12	CSH0	O	Capacitor connection pin for MPPT, used only at the charge mode
13	CSH1	I	Capacitor connection pin for MPPT, used only at the charge mode
14	CSH2	I	Capacitor connection pin for MPPT, used only at the charge mode
15	MPPT_OUT	O	MPPT output pin, used only at the charge mode
16	MPPT_IN	I	MPPT input pin, used only at the charge mode
17	VOUT	O	Output pin of DC/DC converter
18	LX	I	Inductor connection pin
19	PGND2	-	Power ground pin
20	VOUT_S	I	Input pin for DC/DC converter FB
21	FB	I	Feedback input pin of DC/DC converter
22	SGND2	-	DC/DC control system ground pin
23	N.C.	-	Non connection pin (Leave this pin open.)
24	VCC	O	Control system power supply output pin
25	DET1	O	Output pin for state notification
26	DET0	O	Output pin for state notification
27	VDD	I	External power supply input pin
28	PGND1	-	Power ground pin
29	VST	O	Start-up power supply output pin
30, 31, 32, 33, 34, 35, 36, 37, 38, 39, 40	N.C.	-	Non connection pins (Leave these pins open.)

3. Block Diagram

Figure 3-1 Block Diagram



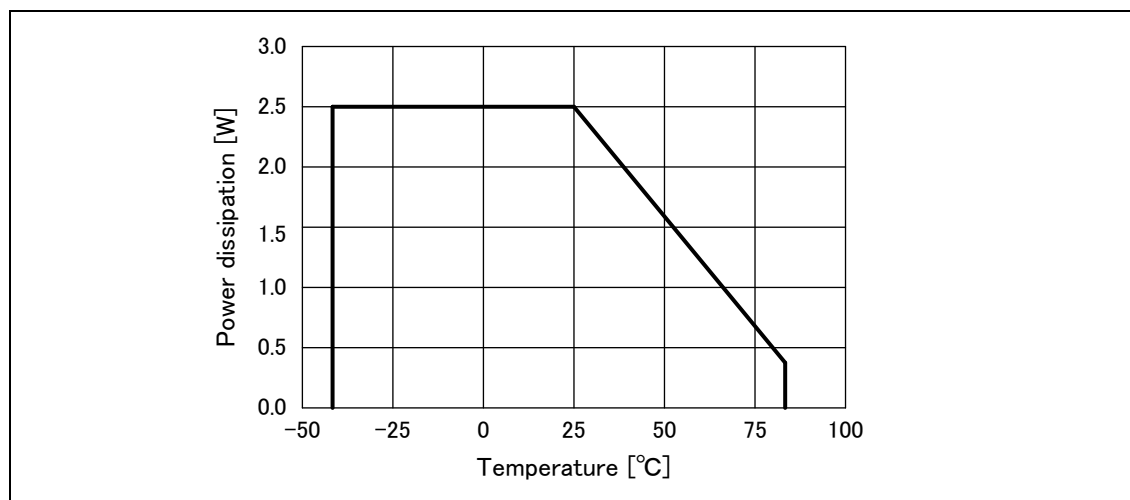
*1: Connect the Li-ion battery in the charge mode (refer to Figure 8-2)

4. Absolute Maximum Ratings

Table 4-1 Absolute Maximum Ratings

Parameter	Symbol	Condition	Rating		Unit
			Min	Max	
VDD input voltage	VDDMAX	VDD pin	-0.3	+7.0	V
VOOUT input voltage	VOOUTMAX	VOOUT, VOOUT_S pins	-0.3	+7.0	V
Input pin input voltage	VINPUTMAX	MPPT_ENA, ENA, S2, S1, S0, CSH0, CSH1, CSH2, MPPT_IN, MPPT_OUT pins	-0.3	VCC pin voltage +0.3 (≤ +7.0)	V
Power dissipation	PD	Ta ≤ +25°C	-	2500 ^(†1)	mW
Storage temperature	TSTG	-	-55	+125	°C
ESD voltage1	VESDH	Human Body Model	-2000	+2000	V
ESD voltage2	VESDM	Machine Model	-200	+200	V

*1: In the case of θ_{ja} (wind speed 0m/s) +28°C/W

Figure 4-1 Power Dissipation – Operating Ambient Temperature

WARNING:

Semiconductor devices may be permanently damaged by application of stress (including, without limitation, voltage, current or temperature) in excess of absolute maximum ratings. Do not exceed any of these ratings.

5. Recommended Operating Conditions

Table 5-1 Recommended Operating Conditions

Parameter	Symbol	Condition	Value			Unit
			Min	Typ	Max	
VDD input voltage	VVDD	VDD pin	0.3	-	4.75	V
VOUT input voltage	VVOUT	VOUT pin MPPT_ENA=H, ENA=H	2.55	3	5.5	V
Input pin input voltage	VINPUT	MPPT_ENA, ENA, S2, S1, S0 pins	0	-	VCC pin voltage	V
Operating ambient temperature	Ta	-	-40	-	+85	°C

WARNING:

1. The recommended operating conditions are required in order to ensure the normal operation of the semiconductor device. All of the device's electrical characteristics are warranted when the device is operated under these conditions.
2. Any use of semiconductor devices will be under their recommended operating condition.
3. Operation under any conditions other than these conditions may adversely affect reliability of device and could result in device failure
4. No warranty is made with respect to any use, operating conditions or combinations not represented on this data sheet. If you are considering application under any conditions other than listed herein, please contact sales representatives beforehand

6. Electrical Characteristics

6.1 Electrical Characteristics of Constant Voltage Mode

Table 6-1 Electrical Characteristics of Constant Voltage Mode (MPPT_ENA = L, ENA = H)

(Ta=-40°C to +85°C, VDD ≤ VOUT - 0.25V, L=4.7μH, Cout=10μF)

Parameter	Symbol	Condition			Value			Unit
		MPPT_ENA	ENA	Other	Min	Typ	Max	
Minimum input voltage at start-up	VSTART	L	H	VDD pin, Ta = +25°C	-	0.35	0.5	V
Preset output voltage	VOUT			S2=L, S1=L, S0=L	2.940	3.000	3.060	V
				S2=L, S1=L, S0=H	3.234	3.300	3.366	V
				S2=L, S1=H, S0=L	3.528	3.600	3.672	V
				S2=L, S1=H, S0=H	4.018	4.100	4.182	V
				S2=H, S1=L, S0=L	4.410	4.500	4.590	V
				S2=H, S1=L, S0=H	4.900	5.000	5.100	V
Current dissipation 1	IQIN			VDD, LX pin input current, VDD=0.6V, VOUT=3.3V, IOU=0	-	0.75	5 ⁽¹⁾	mA
Current dissipation 2	IQOUT			VOUT pin input current, VOUT=3.3V, IOU=0	-	32	64	μA
VCC detection voltage 1	VCCDETH1			Upper threshold	2.8	2.9	3	V
	VCCDETL1	Lower threshold	2.5	2.6	2.7	V		
VOUT detection voltage 1	VOUTDETH1	Upper threshold	2.8	2.9	3	V		
	VOUTDETL1	Lower threshold	2.5	2.6	2.7	V		

*1: This parameter is not be specified. This should be used as a reference to support designing the circuits.

6.2 Electrical Characteristics of Charge Mode

Table 6-2 Electrical Characteristics of Charge Mode (MPPT_ENA = H, ENA = H)

(Ta=-40°C to +85°C, VDD ≤ VOUT - 0.25V, L=4.7μH, Cout=10μF)

Parameter	Symbol	Condition			Value			Unit
		MPPT_ENA	ENA	Other	Min	Typ	Max	
Minimum input voltage at start-up	VSTART	H	H	VDD pin, Ta = +25°C	-	0.35	0.5	V
MPPT setting	MPPTSET			S2=L, S1=L, S0=L	45	50	55	%
				S2=L, S1=L, S0=H	50	55	60	%
				S2=L, S1=H, S0=L	55	60	65	%
				S2=L, S1=H, S0=H	60	65	70	%
				S2=H, S1=L, S0=L	65	70	75	%
				S2=H, S1=L, S0=H	70	75	80	%
				S2=H, S1=H, S0=L	75	80	85	%
				S2=H, S1=H, S0=H	80	85	90	%
Current dissipation 2	IQOUT			VOUT pin input current, VOUT=3.3V, IQOUT=0	-	41	82	μA
UVLO detection voltage (VDD detection voltage)	VUVLOH			Upper threshold	0.2 ^(*)	0.3 ^(*)	0.4 ^(*)	V
	VUVLOL			Lower threshold	0.1	0.2	0.3	V
VCC detection voltage 2	VCCDETH2			Upper threshold	2.5	2.6	2.7	V
	VCCDETL2			Lower threshold	2.45	2.55	2.65	V
VOUT detection voltage 2	VOUTDETH2			Upper threshold	2.5	2.6	2.7	V
	VOUTDETL2	Lower threshold	2.45	2.55	2.65	V		
VOUT detection voltage 3	VOUTDETH3	Upper threshold	3.88	4	4.12	V		
	VOUTDETL3	Lower threshold	3.58	3.7	3.82	V		

*1: This parameter is not be specified. This should be used as a reference to support designing the circuits.

6.3 Electrical Characteristics of Boost DC/DC Converter

Table 6-3 Electrical Characteristics of Boost DC/DC Converter

(Ta=-40°C to +85°C, VDD ≤ VOUT - 0.25V, L=4.7μH, Cout=10μF)

Parameter	Symbol	Condition			Value			Unit
		MPPT_ENA	ENA	Other	Min	Typ	Max	
LX peak current	ILIMIN_A	L or H	H	LX pin input current	-	200	-	mA
Maximum output current	IOOUT			VDD=0.6V, VOUT=3.3V	8	-	-	mA
				VDD=3.0V, VOUT=3.3V	80	-	-	mA
Oscillation frequency	FOSC			PWM mode	0.87	1	1.13	MHz
Line regulation	VLINE			0.4V ≤ VDD ≤ VOUT - 0.25V, IOOUT=0	-	-	0.5	%
Load regulation	VLOAD			VDD=0.6V, VOUT=3.3V, IOOUT=0 to 8mA	-	-	0.5	%

7. Function

7.1 Outline of Operation

MB39C831 is the boost DC/DC converter which has the function controls for the synchronous rectification operation of the integrated FET using the frequency set by the built-in oscillator. The converter operates in PFM at light load currents.

This converter is equipped with a constant voltage mode (MPPT_ENA = L) and a charge mode (MPPT_ENA = H).

Constant voltage mode: An output terminal VOUT outputs a constant voltage set by the S2, S1 and S0 pins.

Charge mode : The input voltage (VIN) is adjusted by following the MPPT value set by the S2, S1 and S0 pins, and a Li-ion battery can be charged.

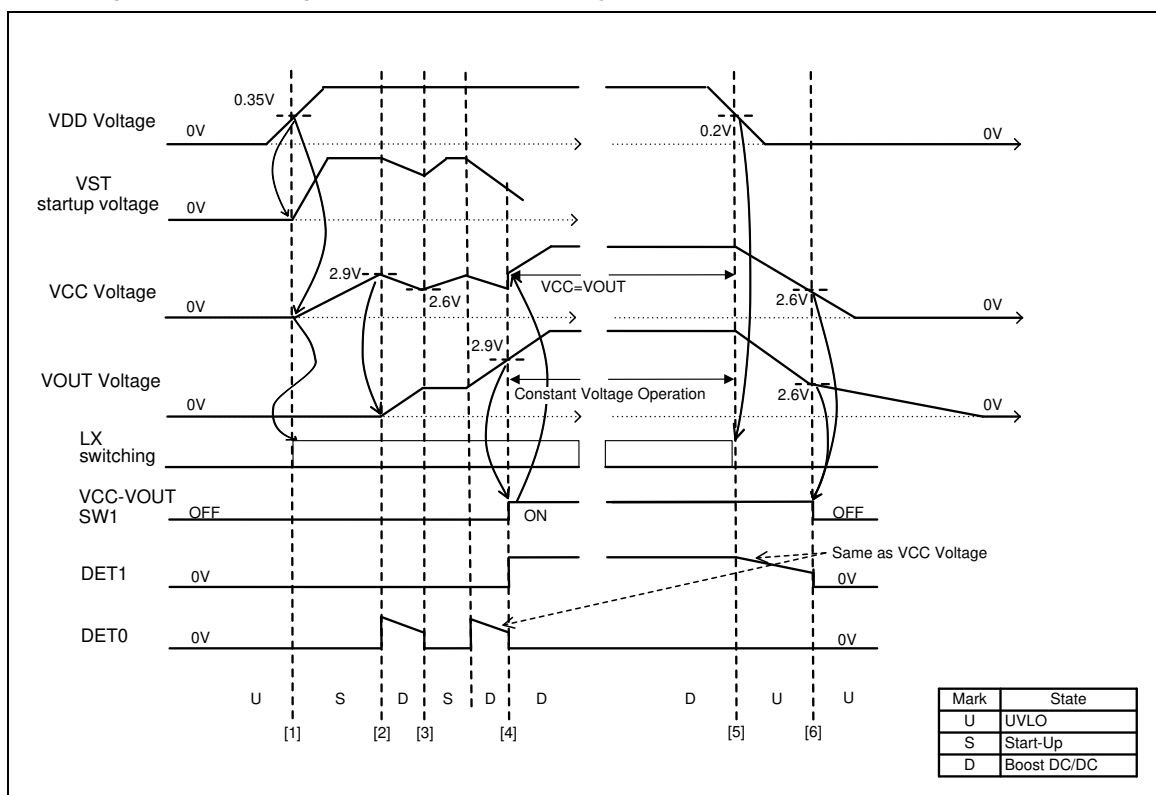
7.2 Start-up/Shut-down Sequence

Constant Voltage Mode: MPPT_ENA = L, ENA = H

In order to operate the constant voltage mode, it supposes that to connect ceramic capacitor, electrolytic capacitor, tantalum capacitor, electric double layered capacitor, and so on, to VCC pin. See Figure 11-1 circuit to use the constant voltage mode.

The constant voltage mode is necessary to set MPPT_ENA = L and ENA = H. MPPT_ENA pin is connected to GND, and ENA pin is connected to VCC pin. See Figure 10-1 Start-up/shut-down sequences of constant voltage mode.

Figure 7-1 Start-up/Shut-down Sequences of Constant Voltage Mode (MPPT_ENA=L, ENA=H)



[1] When 0.35V (Minimum input voltage at start-up: VSTART) or higher voltage is applied to the VDD pin, the start-up circuit activates charging the VCC capacitor C2 (see Figure 3-1).

[2] When the VCC reaches 2.9V (upper threshold of VCC detection voltage 1: VCCDETH1), the operation of the start-up circuit stops, then the DC/DC converter activates charging the VOUT capacitor C3 (see Figure 3-1).

[3] When the VCC reaches less than 2.6V (lower threshold of VCC detection voltage 1: VCCDETL1) by the internal consumption current, the start-up circuit operates again, and this sequence is repeated until the VOUT becomes 2.9V (upper threshold of VOUT detection voltage 1: VOUTDETH1).

[4] When the VOUT reaches 2.9V (upper threshold of VOUT detection voltage 1: VOUTDETH1), the internal switch SW1 (see Figure 3-1) between VCC and VOUT is turned on, and then the VCC and the VOUT are connected internally. While the DC/DC converter is continuously operated, charging the VOUT capacitor C3 to the preset voltage setting by S2, S1, and S0 pins is performed.

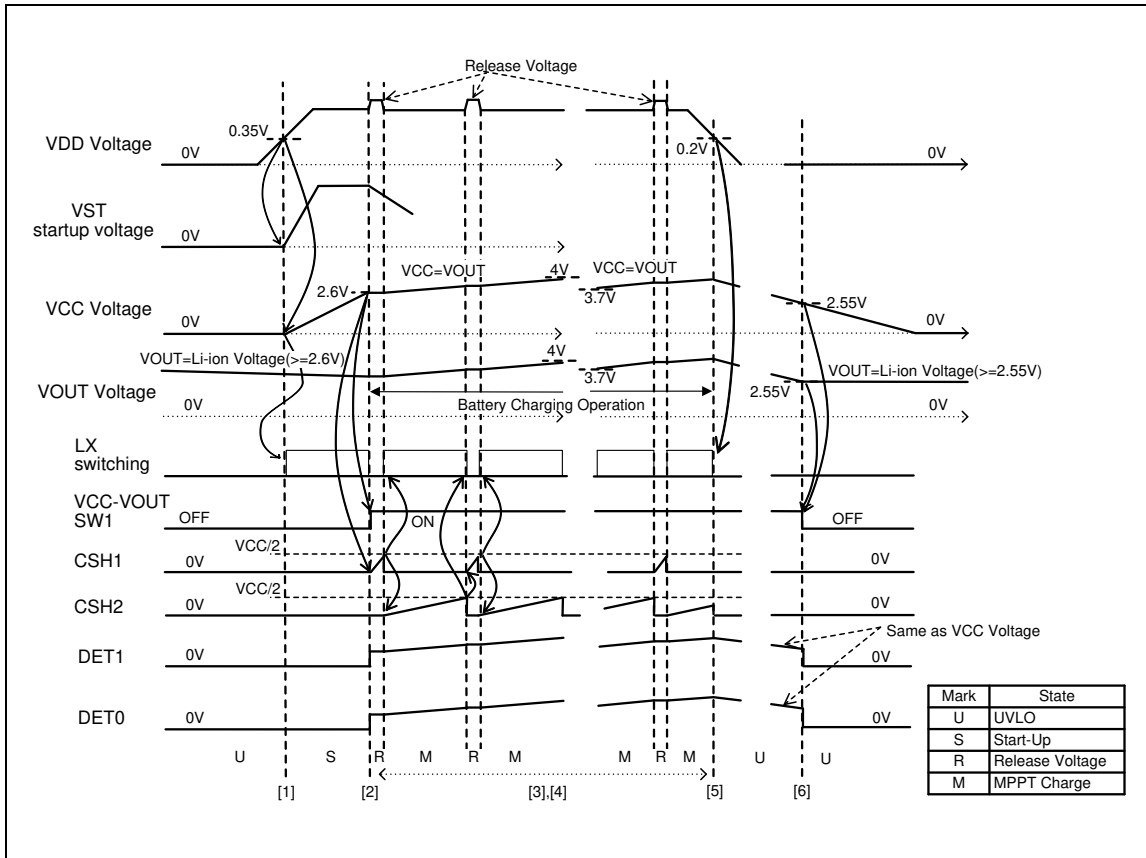
[5] When the VDD falls and reaches 0.3V (VDD input voltage: VVDD) or less, the voltage of the VOUT and VCC starts to decrease.

[6] After that the VOUT voltage reaches 2.6V (lower threshold of VOUT detection voltage 1: VOUTDETL1) or the VCC voltage reaches 2.6V (lower threshold of VCC detection voltage 1: VCCDETL1), and then the internal switch SW1 between VCC and VOUT is turned off, and the VCC and the VOUT are disconnected internally.

Charge Mode: MPPT_ENA = H, ENA = H

In order to operate the charge mode, it supposes that to connect lithium ion secondary batteries, and so on, to VCC pin. See Figure 11-2 circuit to use the charge mode.

The charge mode is necessary to set MPPT_ENA = H and ENA = H. Both MPPT_ENA and ENA are connected to the VCC pin, and a Li-ion battery should be connected to the VOUT pin to make the VOUT $\geq 2.6V$ (upper threshold of VOUT detection voltage 2: VOUTDETH2). See Figure 10-2 Start-up/shut-down sequences of charge mode.

Figure 7-2 Start-up/Shut-down Sequences of Charge Mode (MPPT_ENA = H, ENA=H)


[1] When 0.35V (Minimum input voltage at start-up: VSTART) or higher voltage is applied to the VDD pin, the start-up circuit activates charging the VCC capacitor C2 (see Figure 3-1).

[2] When the VCC reaches 2.6V (upper threshold of VCC detection voltage 2: VCCDETH2) and the VOUT is higher than 2.6V (upper threshold of VOUT detection voltage 2: VOUTDETH2), the operation of the start-up circuit stops and the internal switch SW1 (see Figure 3-1) between VCC and VOUT is turned on. Then the DC/DC converter activates charging the Li-ion battery (see Figure 3-1), and the MPPT control starts at the same time.

[3] While the DC/DC converter is continuously operated, the voltage of VDD is controlled to the MPPT value setting by S0, S1, and S2 pins. (For more detail, refer to Chapter 7.3).

[4] When the voltage of the Li-ion battery reaches 4V (upper threshold of VOUT detection voltage 3: VOUTDETH3), the charging of the Li-ion battery stops. When the voltage of the Li-ion battery drops and reaches 3.7V (lower threshold of VOUT detection voltage 3: VOUTDETL3), the charging of the Li-ion battery starts again.

[5] When the VDD voltage drops and reaches 0.2V (lower threshold of UVLO detection voltage: VUVLOL), the operation of the DC/DC converter stops, and then the voltage of the VOUT and VCC starts to decrease.

[6] The VOUT voltage reaches 2.55V (lower threshold of VOUT detection voltage 2: VOUTDETL2) or the VCC voltage reaches 2.55V (lower threshold of VCC detection voltage 2: VCCDETL2, and then the internal switch SW1 between VCC and VOUT is turned off, and the VCC and the VOUT are disconnected internally to protect the Li-ion battery from an over-discharge.

7.3 MPPT Control

In general, the voltage of a solar cell varies depending on the load current. The operating point where the power becomes the maximum is called the optimum operating point. The control which tracks the optimum operating point is called the MPPT (Maximum Power Point Tracking) control.

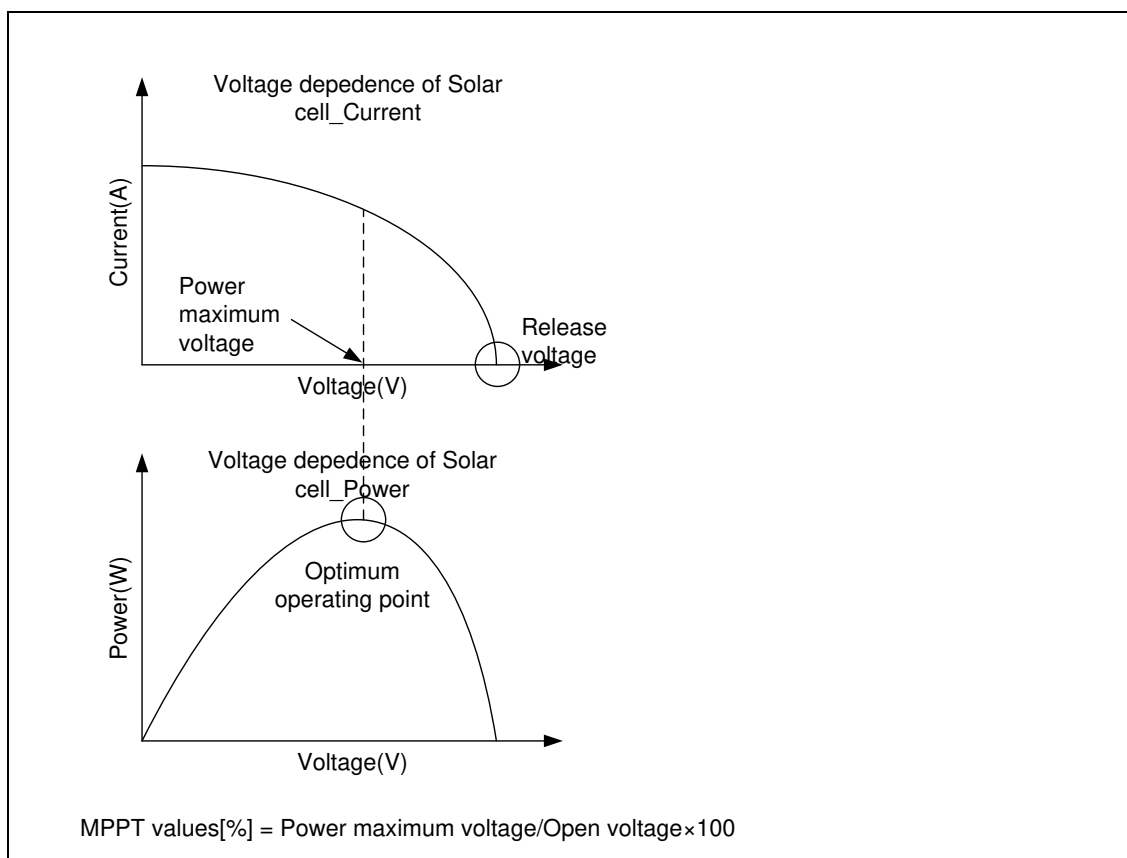
MPPT Values Setting

The voltage where the power becomes the maximum is called the power maximum voltage, and the voltage with no load is called the release voltage. The comparison between the power maximum voltage and the release voltage is defined as the MPPT values.

In the charge mode, the input voltage (VDD) is adjusted and the DC/DC converter operates while tracking the MPPT value setting by the S2, S1 and S0 pins.

When in use, set the MPPT value after confirming the voltage dependency of the solar cell power.

Figure 7-3 MPPT Control



MPPT Operation

When setting the charge mode, the internal pulse frequency is determined by the values of the capacitors C5/C6 and C7/C8 (see Figure 3-1), which are connected to the CSH1 pin, and the CSH2 pin.

During the period of high level of the internal pulse setting by the capacitors C5/C6 connected to the CSH1 pin, the release voltage is measured. The capacitors C5/C6 latch the measured voltage level, the release voltage.

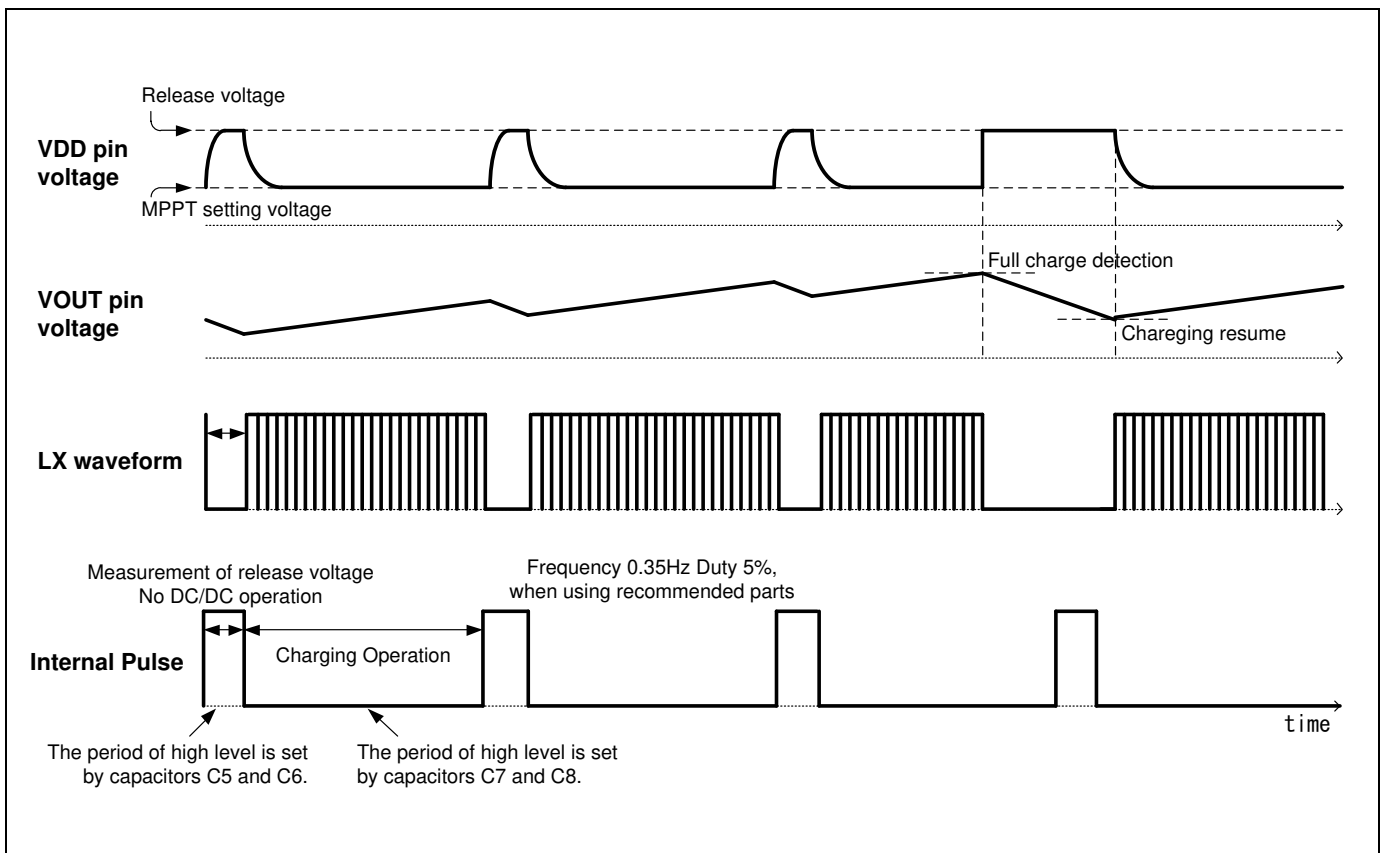
During the period of low level of the internal pulse setting by the capacitors C7/C8 connected to the CSH2 pin, the charge current is determined in order to make the VDD pin's voltage equal to the MPPT setting voltage, then the charging operation starts up. The MPPT setting voltage is calculated by the following equation.

MPPT setting voltage = Release voltage × MPPT value (refer to Table 7-3 MPPT control)

When using the recommended parts, the frequency is set to 0.35Hz with 5% duty.

If not using the recommended parts, please be aware of the following points.

1. In general, laminated capacitances have leak current. If the inside pulse cycle setting by the capacitors
2. C7/C8 were set too long, the voltage level of the capacitors C5/C6 would drop. There is a possibility that
3. the MPPT value cannot be set correctly.
4. If the period of high level of inside pulse is set too short, setting by the capacitors C5/C6, the MPPT value
5. cannot be set correctly due to a lack of the measurement time of the release voltage.

Figure 7-4 MPPT Operation


7.4 Function Description

Mode control

The mode is controlled by the MPPT_ENA pin. There are the charge mode and constant voltage mode, which also determine the presence or absence of The MPPT, the UVLO, the VCC detecting, and the VOUT detecting functions. Set the MPPT_ENA pin according to an application.

And also, the DC/DC converter is controlled by the ENA pin, transfer in operating state of Table10-1.

Table 7-1 Mode Control

Mode	Input Signal		Operating State	Function							
	MPPT_ENA pin	ENA Pin		UVLO	MPPT	VCC detection 1	VCC detection 2	VOUT detection 1	VOUT detection 2	VOUT detection 3	VOUT-VDD voltage reverse detection
Constant voltage	L	L	VOUT output stop	OFF	OFF	ON	OFF	ON	OFF	OFF	OFF
		H	VOUT output enabled	OFF	OFF	ON	OFF	ON	OFF	OFF	OFF
Charge	H	L	Charge stop	ON	ON	OFF	ON	OFF	ON	ON	ON
		H	Charge enabled	ON	ON	OFF	ON	OFF	ON	ON	ON

Changing Setting Method of Preset Output Voltage & MPPT Setting

The state is controlled by the MPPT_ENA, the ENA, the S2, S1, and S0 pins.

The preset output voltage can be set in the constant voltage mode, set the MPPT_ENA = L and the ENA =H, and then set it by the S2, S1, and S0 pins.

The MPPT value can be set in the charge mode, set the MPPT_ENA = H and the ENA =H, and then set it by the S2, S1, and S0 pins.

Table 7-2 Changing Preset Output Voltage in Constant Voltage Mode (MPPT_ENA = L, ENA = H)

Input Signal			Control		
MPPT_ENA pin	ENA pin	S2 pin	S1 pin	S0 pin	Preset Output Voltage (V)
L	H	L	L	L	3.0
		L	L	H	3.3
		L	H	L	3.6
		L	H	H	4.1
		H	L	L	4.5
		H	L	H	5.0
		H	H	L	Setting prohibited
		H	H	H	Setting prohibited

Table 7-3 Changing MPPT Setting in Charge Mode (MPPT_ENA = H, ENA = H)

MPPT_ENA pin	ENA pin	Input Signal			Control
		S2 pin	S1 pin	S0 pin	MPPT Values
H	H	L	L	L	50%
		L	L	H	55%
		L	H	L	60%
		L	H	H	65%
		H	L	L	70%
		H	L	H	75%
		H	H	L	80%
		H	H	H	85%

VCC Detection1, 2 (VCC Detection Voltage1, 2): VCC Voltage Protection

This function works with both the constant voltage mode (MPPT_ENA =L) and the charge mode (MPPT_ENA =H).

■ Constant voltage mode (MPPT_ENA =L)

The detection that the VCC pin is equal to the threshold voltage (VCCDETH1 = 2.9V) or higher is the source to start the DC/DC converter operation. It's a factor to turn on the internal switch between VCC and VOUT.

It has the hysteresis, and the detection that the VCC pin is equal to the threshold voltage (VCCDETL1 = 2.6V) or lower is the source to stop the DC/DC converter operation. It's a factor turn off the internal switch between VCC and VOUT.

When the VCC pin becomes higher than the threshold voltage (VCCDETH1 = 2.9V) again, this function is repeated.

■ Charge mode (MPPT_ENA =H)

The detection that the VCC pin is equal to the threshold voltage (VCCDETH2 = 2.6V) or higher is the source to start the DC/DC converter operation. It's a factor turn on the internal switch between VCC and VOUT.

It has the hysteresis, and the detection that the VCC pin is equal to the threshold voltage (VCCDETL2 = 2.55V) or lower is the source to stop the DC/DC converter operation. It's a factor turn off the internal switch between VCC and VOUT.

When the VCC pin becomes higher than the threshold voltage (VCCDETH2 = 2.6V) again, this function is repeated.

VOUT Detection1, 2 (VOUT Detection Voltage1, 2)

This function works with both the constant voltage mode (MPPT_ENA =L) and the charge mode (MPPT_ENA =H).

■ Constant voltage mode (MPPT_ENA =L)

The detection that the VOUT pin is equal to the threshold voltage (VOUTDETH1 = 2.9V), and it's a factor to turn on the internal switch between VCC and VOUT.

It has the hysteresis, and the detection that the VOUT pin is equal to the threshold voltage (VOUTDETL1 = 2.6V), and it's a factor to turn off the internal switch between VCC and VOUT.

When the VOUT pin becomes higher than the threshold voltage (VOUTDETH1 = 2.9V) again, this function is repeated.

■ Charge mode (MPPT_ENA =H)

The detection that the VOUT pin is equal to the threshold voltage (VOUTDETH2 = 2.6V) or higher is the source to start the DC/DC converter operation. It's a factor turn on the internal switch between VCC and VOUT.

It has the hysteresis, and the detection that the VOUT pin is equal to the threshold voltage (VOUTDETL2 = 2.55V) or lower is the source to stop the DC/DC converter operation. It's a factor turn off the internal switch between VCC and VOUT.

When the VOUT pin becomes higher than the threshold voltage (VOUTDETH2 = 2.6V) again, this function is repeated.

VOUT Detection3 (VOUT Detection Voltage3)

This function works with the charge mode (MPPT_ENA =H).

When the VOUT pin becomes higher than the threshold voltage (VOUTDETH3 = 4V), the DC/DC converter stops the operation.

It has the hysteresis, and when the VOUT pin becomes lower than the threshold voltage (VOUTDETL3 =3.7V), the DC/DC converter restarts the operation.

UVLO

This function works with the charge mode (MPPT_ENA =H).

In the state the DC/DC converter starts and during the charge operation, when the VDD pin becomes lower than the lower threshold voltage (VUVLOL = 0.2V), UVLO function works and the DC/DC converter stops the operation.

Then when the VDD pin becomes higher than the upper threshold voltage (VUVLOH = 0.3V), the DC/DC converter starts the operation again.

After that, this function is repeated.

VOUT-VDD Voltage Reverse Monitoring

This function works with the charge mode (MPPT_ENA =H).

The detection that the VDD pin is equal to the VOUT pin's voltage or higher is the source to stop the DC/DC control part operation.

Output Current Protection

It has the current limitation function to protect the circuit during the over load current. When the input current for the LX pin reaches LX peak current (ILIMIN_A), the output voltage drops in order to prevent the IC destruction.

State Notification

This function is independent of the MPPT_ENA setting.

The VCC voltage stage, the VOUT voltage state, and the VOUT-VDD voltage reverse state are notified by the DET[1:0] signals.

The state notification is not a power good function.

Table 7-4 Stage Notification of Constant Voltage Mode (MPPT_ENA = L, ENA = H)

Output Signal		State
DET1 Pin	DET0 Pin	Constant Voltage Mode (MPPT_ENA = L, ENA = H)
L	L	VCC terminal \leq VCC detection voltage 1 and VOUT terminal \leq VOUT detection voltage 1
L	H	VCC terminal \geq VCC detection voltage 1 and VOUT terminal \leq VOUT detection voltage 1
H	L	Constant voltage operation: VCC terminal \geq VCC detection voltage 1 and VOUT terminal \geq VOUT detection voltage 1
H	H	VCC terminal \leq VCC detection voltage 1 and VOUT terminal \geq VOUT detection voltage 1

Table 7-5 Stage Notification of Charge Node (MPPT_ENA = H, ENA = H)

Output Signal		State
DET1 Pin	DET0 Pin	Charge Mode (MPPT_ENA = H, ENA = H)
L	L	VCC terminal \leq VCC detection voltage 2 and VOUT terminal \leq VOUT detection voltage 2
L	H	Abnormal stage: Stage that VDD voltage is higher than VOUT voltage ($VOUT < VDD$) ^(*1)
H	L	Protection stop stage: During the period VOUT drop from 4V to 3.7V, after VOUT reaches VOUT detection voltage 3 ($VOUTDETH3 = 4V$) ^(*2)
H	H	MPPT operation: VCC terminal \geq VCC detection voltage 2 and VOUT terminal \geq VOUT detection voltage 2

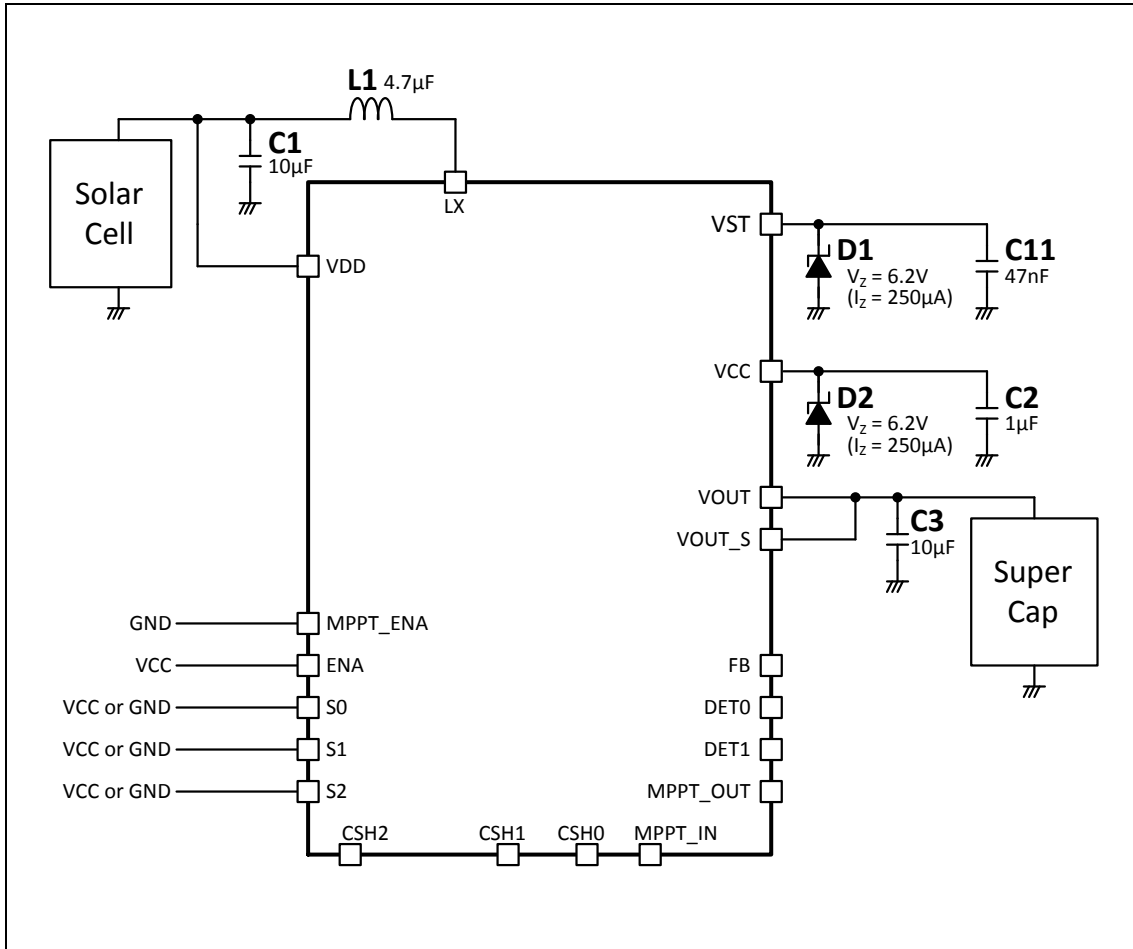
*1: DET[1:0]=[L:L] has the highest priority.

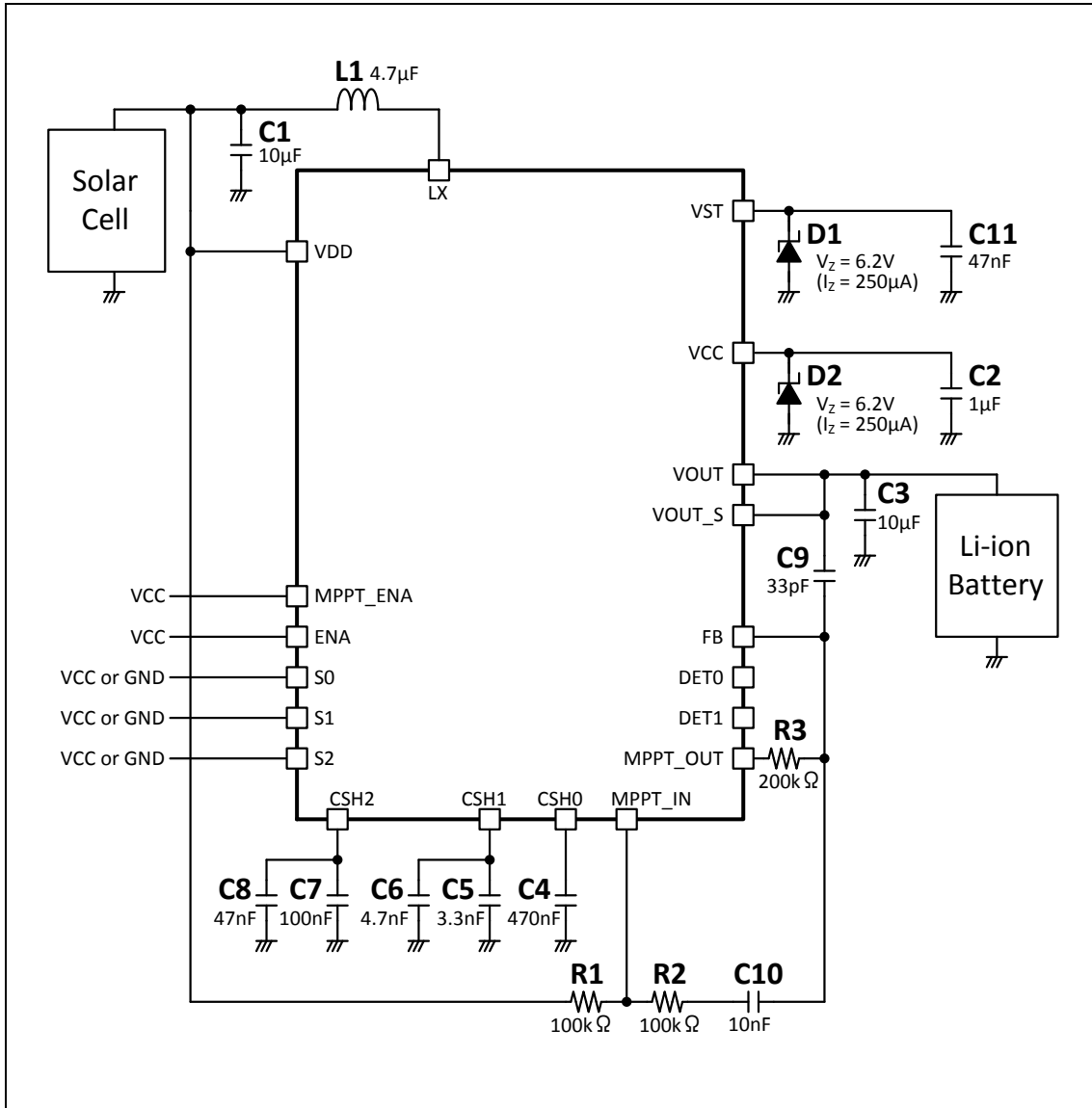
*2: DET[1:0]=[L:H] has the highest priority.

8. Typical Applications Circuit

Constant Voltage Mode

Figure 8-1 Application Circuit of Constant Voltage Mode (MPPT_ENA = L, ENA = H)



Charge Mode
Figure 8-2 Application Circuit of Charge Mode (MPPT_ENA = H, ENA = H)


Parts List
Table 8-1 Parts List

Part number	Value	Description
C1	10 μ F	Capacitor
C2	1 μ F	Capacitor
C3	10 μ F	Capacitor
C4	470 nF	Capacitor
C5	3.3 nF	Capacitor
C6	4.7 nF	Capacitor
C7	100 nF	Capacitor
C8	47 nF	Capacitor
C9	33 pF	Capacitor
C10	10 nF	Capacitor
C11	47 nF	Capacitor
R1	100 k Ω	Resistor
R2	100 k Ω	Resistor
R3	200 k Ω	Resistor
L1	4.7 μ H	Inductor
D1	$V_Z=6.2V$ ($I_Z=250 \mu A$)	Zener diode
D2	$V_Z=6.2V$ ($I_Z=250 \mu A$)	Zener diode

9. Application Notes

Inductor

The MB39C831 is optimized to work with an inductor in the range of 4.7 μ H. Select a value of 4.7 μ H. Also, select an inductor with a DC current rating which can permit the peak current for the inductor.

The peak current for the inductor in steady state operation (I_{LMAX}) can be calculated by the following equation according to the maximum current of harvesters (I_{INMAX}).

$$I_{LMAX} = I_{INMAX} + \frac{V_{VDD} \times (V_{VOUT} - V_{VDD})}{2 \times V_{VOUT} \times F_{OSC} \times L}$$

$$F_{OSC} = 1\text{MHz (Typ)}$$

Harvester (Photovoltaic Power Generator)

In case of photovoltaic (or solar) energy harvesting, use a solar cell with an open-circuit voltage less than 4.75V and the preset output voltage. Electric power obtained from a solar or light is increased in proportion to the ambient illuminance. Silicone-based solar cells are single crystal silicon solar cell, polycrystalline silicon solar cell, and amorphous silicon solar cell. Organic-based solar cells are dye-sensitized solar cell (DSC), and organic thin film solar cell. Crystal silicon and polycrystalline silicon solar cells have high energy conversion efficiency. Amorphous silicon solar cells are lightweight, flexible, and produced at low cost. Dye-sensitized solar cells are composed by sensitizing dye and electrolytes, and are low-cost solar cell. Organic thin film solar cells are lightweight, flexible, and easily manufactured.

Harvester (Temperature Difference Power Generator)

Temperature difference power generators produce electric power keeping temperature difference between the high temperature side and the low temperature side. The temperature difference power generators include the peltier elements utilizing the Seebeck effect and thermopiles that made of thermocouples in series or in parallel.

Sizing of Input and Output Capacitors

Common capacitors are layered ceramic capacitor, electrolytic capacitor, electric double layered capacitor (EDLC), and so on. Electrostatic capacitance of layered ceramic capacitors is relatively small. However, layered ceramic capacitors are small and have high voltage resistance characteristic. Electrolytic capacitors have high electrostatic capacitance from μ F order to mF order. The size of capacitor becomes large in proportion to the size of capacitance. Electric double layered capacitors have high electrostatic capacitance around 0.5F to 1F, but have low voltage resistance characteristics around 3V to 5V. Be very careful with a voltage resistance characteristic. Also, leak current, equivalent series resistance (ESR), and temperature characteristic are criteria for selecting,

Table 9-1 Manufactures of Capacitors

Part Number/Series Name	Type, Capacitance	Manufacture
EDLC351420-501-2F-50	EDLC, 500 mF	TDK Corporation
EDLC082520-500-1F-81	EDLC, 50 mF	
EDLC041720-050-2F-52	EDLC, 5 mF	
Gold capacitor	EDLC	Panasonic Corporation

Energy from harvester should be stored on the C_{in} and C_{out} to operate the application block. If the size of these capacitors were too big, it would take too much time to charge energy into these capacitors, and the system cannot be operated frequently. On the other hand, if these capacitors were too small, enough energy cannot be stored on these capacitors for the application block. The sizing of the C_{in} and C_{out} is important.

First of all, apply the following equation and calculate energy consumption for an application from voltage, current, and time during an operation.

$$E_{\text{Appli.}} [J] = V_{\text{Appli.}} \times I_{\text{Appli.}} \times t_{\text{Appli.}}$$

The energy stored on a capacitor is calculated by the following equation.

$$E_c [J] = \frac{1}{2} CV^2$$

Since the energy in a capacitor is proportional to the square of the voltage, it is energetically advantageous for the boost DC/DC converter, the input voltage, is less than the output voltage, to make the C_{out} larger.

The C_{in} and the C_{out} are sized so as to satisfy the following equation (refer to Figure 9-1). The η , the efficiency of the MB39C831, is determined from the graph of the efficiency shown in Figure 10-1

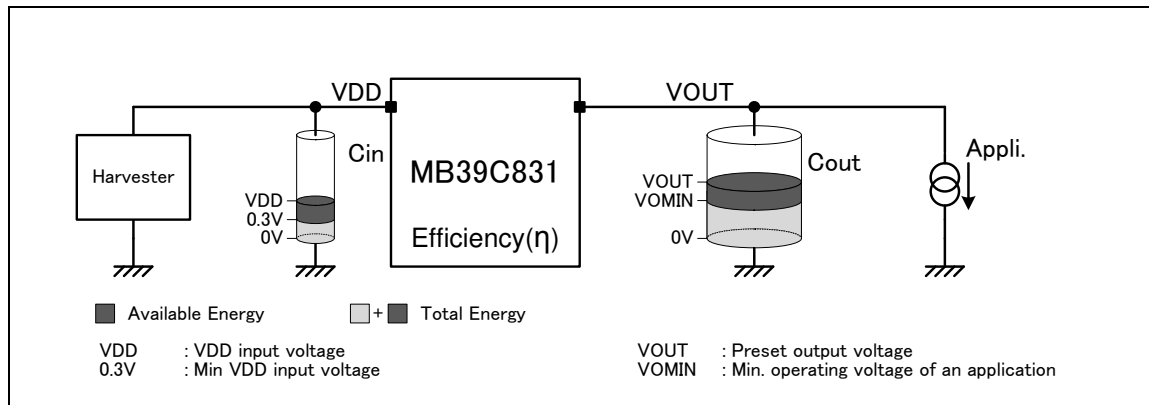
$$E_{\text{Appli.}} \leq dE_{\text{Cin}} \times \eta + dE_{\text{Cout}}$$

dE_{Cin} and dE_{Cout} are the available energies for the application.

$$dE_{\text{Cin}} [J] = \frac{1}{2} C_{\text{in}} (V_{\text{DD}}^2 - 0.3^2)$$

$$dE_{\text{Cout}} [J] = \frac{1}{2} C_{\text{out}} (V_{\text{OUT}}^2 - V_{\text{OMIN}}^2)$$

Figure 9-1 Example of Energy Harvesting System



Before calculating the initial charging time (T_{Initial}), calculate the total energy (E_{Cin} and E_{Cout}) stored on both C_{in} and C_{out} .

$$E_{\text{Cin}} [J] = \frac{1}{2} C_{\text{in}} \times V_{\text{DD}}^2$$

$$E_{\text{Cout}} [J] = \frac{1}{2} C_{\text{out}} \times V_{\text{OUT}}^2$$

$P_{\text{Harvester}}$ is a power generation capability of a harvester. An initial charging time (T_{Initial}) is calculated by the following equation.

$$T_{\text{Initial}} = \frac{E_{\text{Cin}}}{P_{\text{Harvester}}} + \frac{E_{\text{Cout}}}{P_{\text{Harvester}} \times \eta}$$

Repeat charging time (T_{Repeat}) is calculated by the following equation. The T_{Repeat} become shorter than T_{Initial} .

$$T_{\text{Repeat}} = \frac{dE_{\text{Cin}}}{P_{\text{Harvester}}} + \frac{dE_{\text{Cout}}}{P_{\text{Harvester}} \times \eta}$$

10. Typical Characteristics

Figure 10-1 Typical Characteristics of Constant Voltage Mode (MPPT_ENA = L, ENA = H)

