



Chipsmall Limited consists of a professional team with an average of over 10 year of expertise in the distribution of electronic components. Based in Hongkong, we have already established firm and mutual-benefit business relationships with customers from,Europe,America and south Asia,supplying obsolete and hard-to-find components to meet their specific needs.

With the principle of “Quality Parts,Customers Priority,Honest Operation,and Considerate Service”,our business mainly focus on the distribution of electronic components. Line cards we deal with include Microchip,ALPS,ROHM,Xilinx,Pulse,ON,Everlight and Freescale. Main products comprise IC,Modules,Potentiometer,IC Socket,Relay,Connector.Our parts cover such applications as commercial,industrial, and automotives areas.

We are looking forward to setting up business relationship with you and hope to provide you with the best service and solution. Let us make a better world for our industry!



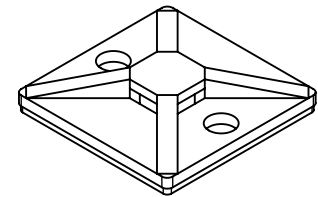
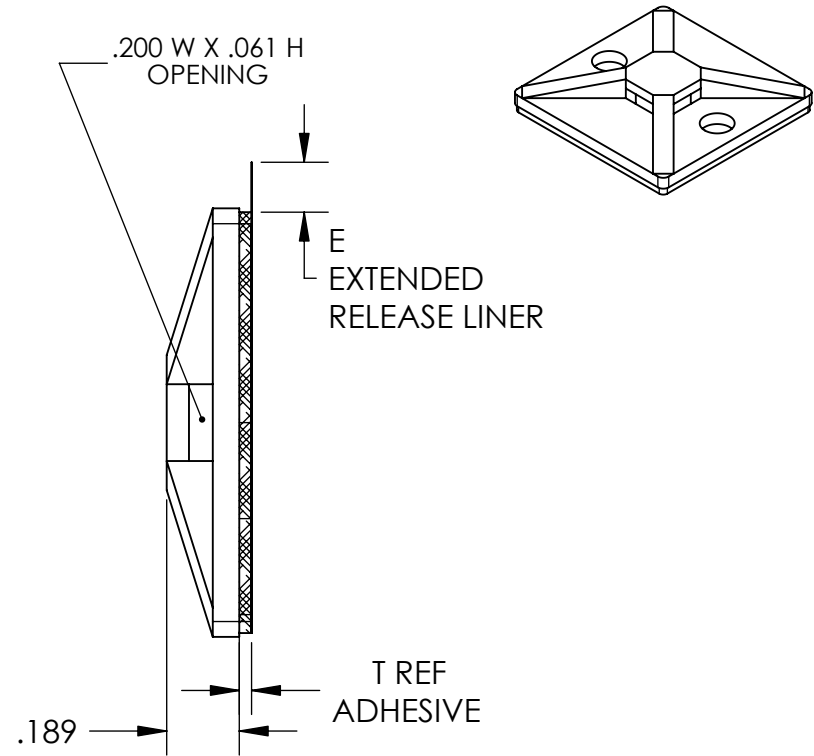
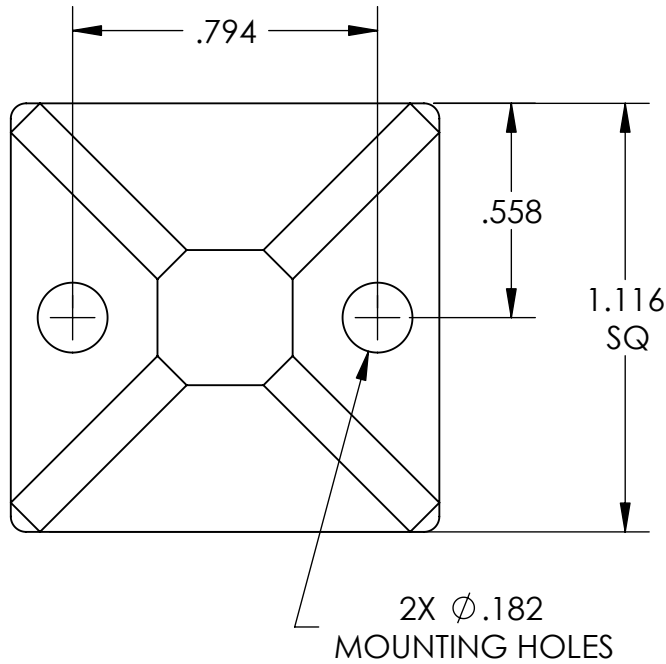
Contact us

Tel: +86-755-8981 8866 Fax: +86-755-8427 6832

Email & Skype: info@chipsmall.com Web: www.chipsmall.com

Address: A1208, Overseas Decoration Building, #122 Zhenhua RD., Futian, Shenzhen, China





		04			
MB4A_PT	.047	0.0	ACRYLIC +(PLUS) ADHESIVE FOAM TAPE	PA66	T18 THRU T50
151-00646	.045	.13	MODIFIED VHB ACRYLIC ADHESIVE FOAM TAPE	PA66UV	
MB4A_UVA2	.045	0.0	VHB ACRYLIC ADHESIVE FOAM TAPE		
MB4A_A2		0.0	VHB ACRYLIC ADHESIVE FOAM TAPE		
MB4A_	.032	0.0	RUBBER BASED ADHESIVE FOAM TAPE	PA66	
MB4_	-	0.0	#8 SCREW (NOT INCLUDED)		
PART NUMBER	T	E	MOUNTING METHOD	MOUNT MATERIAL	CABLE TIE SERIES

INVENTORS

HellermannTyton®

ALL PROPRIETARY RIGHTS IN THE SUBJECT MATTER SHOWN ON THIS DRAWING ARE EXCLUSIVE PROPERTY OF HELLERMANNTYTON

name	date	city, state

REVISION

D level	04
AW by	AAC
IT date	09/03/2008
GN ECN #	011112
part level	-

DIMENSIONS

FOOTERANCHORS	.xxxx = ±.0005
	.xxx = ±.005
	.xx = ±.01
	.x = ±.03
	∠ = ±0.5°
	unless otherwise specified
units	inches

PART

number	SEE CHART	phase	Production
name	MOUNTING BASE (4 WAY) MB4 & MB4A		
material	SEE CHART		

DRAWING

format	AH	SW 2007	scale	2:1
version N	CAD			
computer file name	MT2001103CST_04	previous drawing number	MT2001103SER	
drawn	KAC	checked	KAC	approved
	09/01/1995		09/03/2008	
type	Customer	sheet 1 of 1		
number	MT2001103CST			