



Chipsmall Limited consists of a professional team with an average of over 10 year of expertise in the distribution of electronic components. Based in Hongkong, we have already established firm and mutual-benefit business relationships with customers from,Europe,America and south Asia,supplying obsolete and hard-to-find components to meet their specific needs.

With the principle of “Quality Parts,Customers Priority,Honest Operation,and Considerate Service”,our business mainly focus on the distribution of electronic components. Line cards we deal with include Microchip,ALPS,ROHM,Xilinx,Pulse,ON,Everlight and Freescale. Main products comprise IC,Modules,Potentiometer,IC Socket,Relay,Connector.Our parts cover such applications as commercial,industrial, and automotives areas.

We are looking forward to setting up business relationship with you and hope to provide you with the best service and solution. Let us make a better world for our industry!



Contact us

Tel: +86-755-8981 8866 Fax: +86-755-8427 6832

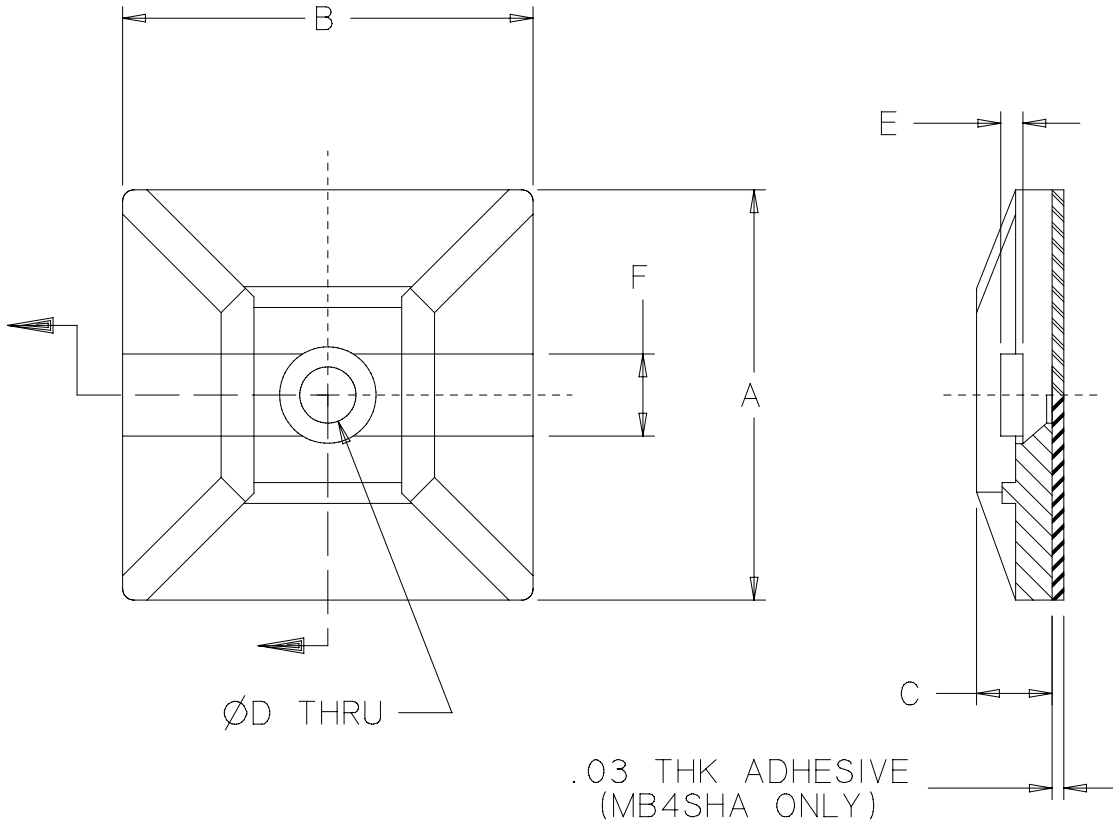
Email & Skype: info@chipsmall.com Web: www.chipsmall.com

Address: A1208, Overseas Decoration Building, #122 Zhenhua RD., Futian, Shenzhen, China



name	date	city, state

NOTES



±.020 ±.50						TOL	CABLE TIE SERIES	MOUNTING METHOD	PART NUMBER
F	E	D	C	B	A	DIM			
$\frac{.223}{5.66}$	$\frac{.063}{1.60}$	$\frac{.154}{3.91}$	$\frac{.202}{5.13}$	$\frac{1.115}{28.32}$	$\frac{1.115}{28.32}$	IN MM	T18 THRU T50	#6 SCREW	MB4SH
								ADHESIVE (RUBBER BASED)	MB4SHA

REVISION	D level $\triangle B$	DIMENSIONS TOLERANCES .XXXX= .XXX= NOTED .XX= .X= ∠= unless otherwise specified units inches/mm	PART	number SEE CHART	phase PRODUCTION	DRAWING	FORMAT AV version J	CAD	PD	scale 2X
	AW by SSL			name CABLE TIE MOUNTING BASE SINGLE HOLE	computer file number MT\SER\2002001A		previous number			
	ING date 6/16/98			material NYLON 6/6	drawn 2/6/98		checked	approved		
	G ECN # 000720				type SERIES		sheet 1 of 1			
part level B						number MT2002001SER				