



Chipsmall Limited consists of a professional team with an average of over 10 year of expertise in the distribution of electronic components. Based in Hongkong, we have already established firm and mutual-benefit business relationships with customers from,Europe,America and south Asia,supplying obsolete and hard-to-find components to meet their specific needs.

With the principle of “Quality Parts,Customers Priority,Honest Operation,and Considerate Service”,our business mainly focus on the distribution of electronic components. Line cards we deal with include Microchip,ALPS,ROHM,Xilinx,Pulse,ON,Everlight and Freescale. Main products comprise IC,Modules,Potentiometer,IC Socket,Relay,Connector.Our parts cover such applications as commercial,industrial, and automotives areas.

We are looking forward to setting up business relationship with you and hope to provide you with the best service and solution. Let us make a better world for our industry!



## Contact us

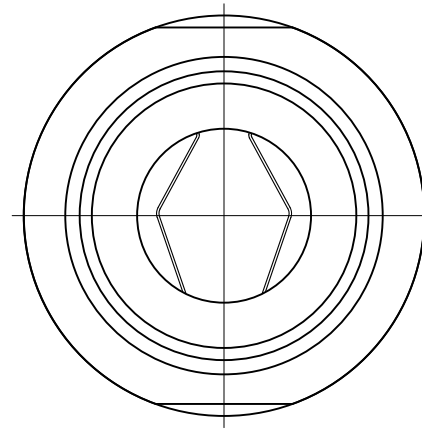
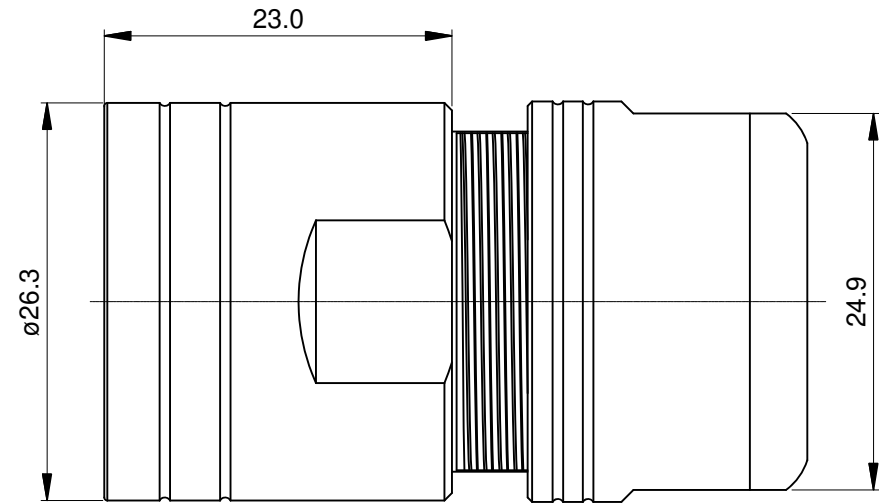
Tel: +86-755-8981 8866 Fax: +86-755-8427 6832

Email & Skype: info@chipsmall.com Web: www.chipsmall.com

Address: A1208, Overseas Decoration Building, #122 Zhenhua RD., Futian, Shenzhen, China



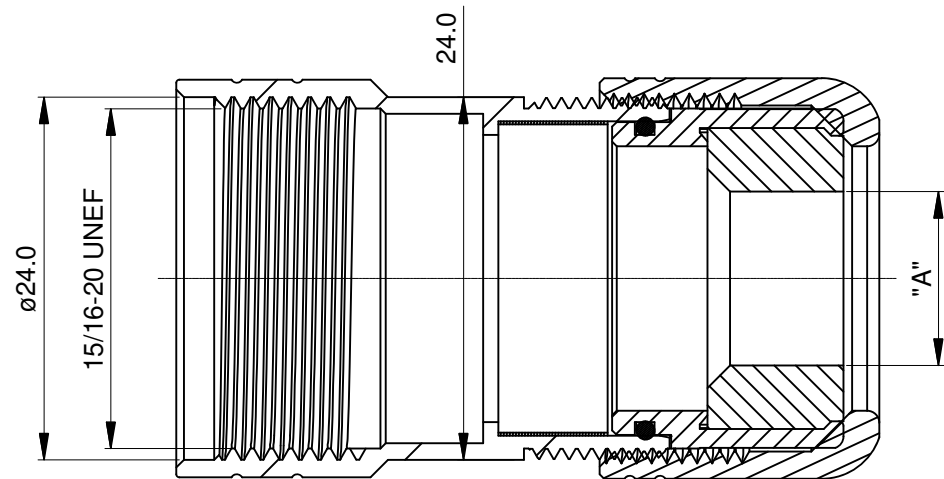
| REVISIONS |     |                        |          |       |      |
|-----------|-----|------------------------|----------|-------|------|
| REV       | ECO | DESCRIPTION            | DATE     | BY    | APPR |
| B1        | -   | RELEASE NEW DWG FORMAT | 05/10/14 | DRACK |      |



NOTES: UNLESS OTHERWISE SPECIFIED

- MATERIAL:  
EMI SHIELDING RING: STAINLESS STEEL  
SEAL: EPDM  
HOUSING BODY: ZINC DIE CAST, NICKEL PLATED
- SPECIFICATIONS:  
2.1 DEGREE OF PROTECTION: IP67 ( MATED CONDITION )  
2.2 RoHS COMPLIANT
- ALL DIMENSIONS ARE FOR REFERENCE USE ONLY.

|   |          | Dimension "A " | Cable OD Range |
|---|----------|----------------|----------------|
| 1 | MB6CG-S1 | Ø11.5 mm       | 7.5~11.0 mm    |
| 2 | MB6CG-S2 | Ø15.0 mm       | 11.0~14.5 mm   |
| 3 | MB6CG-S3 | Ø17.5 mm       | 14.5~17.0 mm   |



| QUANTITY  | SEE PART NUMBER<br>CHART<br>PART NUMBER | DESCRIPTION  | ITEM   |
|---|---|--|--|
| <b>MATERIALS LIST</b>   |   |  |  |
| UNLESS OTHERWISE SPECIFIED<br>1) All dimensions are in metric(mm).<br>2) Tolerances are as follows:<br>1 PL DEC ±0.30<br>2 PL DEC ±0.15<br>3 PL DEC ±0.08<br>Fractions ±1/64<br>Angles ±1°<br>3) Note reference = |   | SIGNATURES<br>DRAWN: Drack<br>CHECKED:<br>ENGINEER:<br>APPROVAL:   | DATE<br>05/10/14   |
| MATERIAL SPECIFICATIONS:  |   | <b>Amphenol</b><br>Sine Systems - www.amphenol-sine.com<br>44724 Morley Drive<br>Clinton Township, MI 48036  |  |
| PROCESS SPECIFICATIONS:   |   | <b>M23B,CORD GRIP</b>  |  |
| NEXT ASSY:  |   | THIS DRAWING IS SUPPLIED FOR INFORMATION ONLY. DESIGN FEATURES, SPECIFICATIONS AND PERFORMANCE DATA SHOWN HEREON ARE THE PROPERTY OF THE AMPHENOL CORPORATION. NO RIGHTS OF REPRODUCTION ARE IMPLIED. ALL DIMENSIONS ARE SUBJECT TO NORMAL MANUFACTURING VARIATIONS. | SIZE: <b>B</b> TYPE: <b>C-</b> DWG NO: <b>MB6CG-Sx</b> REVISION: <b>B1</b> |
|   |   | SCALE: <b>NONE</b>   | SHEET <b>1</b> OF <b>1</b>   |

TITLE: M23B,CORD GRIP  
DWG NO: MB6CG-Sx  
REV: B1  
SH: 1  
OF: 1