



Chipsmall Limited consists of a professional team with an average of over 10 year of expertise in the distribution of electronic components. Based in Hongkong, we have already established firm and mutual-benefit business relationships with customers from,Europe,America and south Asia,supplying obsolete and hard-to-find components to meet their specific needs.

With the principle of “Quality Parts,Customers Priority,Honest Operation,and Considerate Service”,our business mainly focus on the distribution of electronic components. Line cards we deal with include Microchip,ALPS,ROHM,Xilinx,Pulse,ON,Everlight and Freescale. Main products comprise IC,Modules,Potentiometer,IC Socket,Relay,Connector.Our parts cover such applications as commercial,industrial, and automotives areas.

We are looking forward to setting up business relationship with you and hope to provide you with the best service and solution. Let us make a better world for our industry!



Contact us

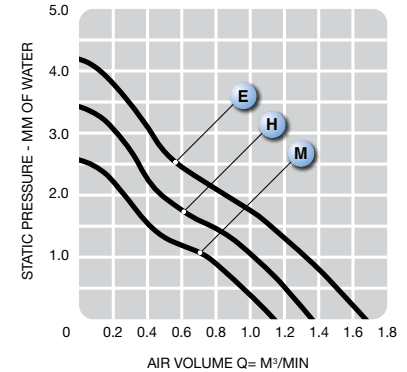
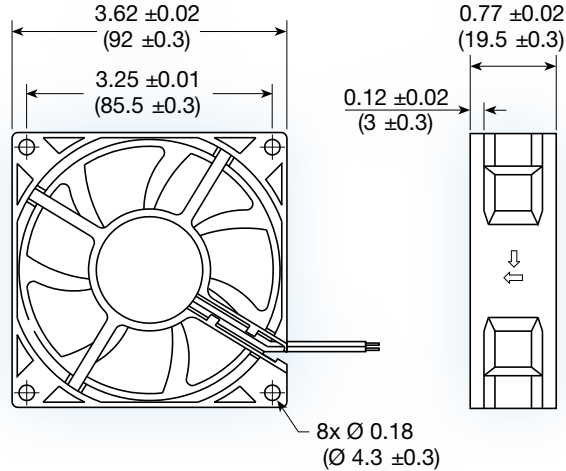
Tel: +86-755-8981 8866 Fax: +86-755-8427 6832

Email & Skype: info@chipsmall.com Web: www.chipsmall.com

Address: A1208, Overseas Decoration Building, #122 Zhenhua RD., Futian, Shenzhen, China



MB9220 series



(92 x 92 x 19.5 mm)
1.57 x 1.57 x 1.10 inches

Construction:	UL94V-0 PBT impeller and frame
Bearing option:	ball bearing or sleeve
Connection:	AWG 26, UL1007 lead wires
Frame:	flanged
Protection:	impedance
Options:	tachometer output signal

Model No.	Rated Voltage V	Current mA 12	Speed RPM	Air Volume		Max. Static Pressure (H ₂ O)		Sound Noise dbA	Weight g
				M ³ /Min.	CFM	MM	INCH		
MB9220L	12	0.12	2,100	0.90	31.8	1.18	0.04	24	71
MB9220M	12	0.16	2,500	1.08	38.1	2.60	0.10	28	71
MB9220H	12	0.26	3,000	1.35	47.7	3.48	0.14	32	71
MB9220E	12	0.32	3,600	1.65	57.5	4.20	0.17	38	71