



Chipsmall Limited consists of a professional team with an average of over 10 year of expertise in the distribution of electronic components. Based in Hongkong, we have already established firm and mutual-benefit business relationships with customers from,Europe,America and south Asia,supplying obsolete and hard-to-find components to meet their specific needs.

With the principle of “Quality Parts,Customers Priority,Honest Operation,and Considerate Service”,our business mainly focus on the distribution of electronic components. Line cards we deal with include Microchip,ALPS,ROHM,Xilinx,Pulse,ON,Everlight and Freescale. Main products comprise IC,Modules,Potentiometer,IC Socket,Relay,Connector.Our parts cover such applications as commercial,industrial, and automotives areas.

We are looking forward to setting up business relationship with you and hope to provide you with the best service and solution. Let us make a better world for our industry!



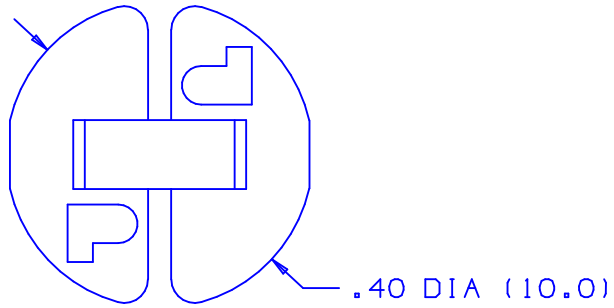
## Contact us

Tel: +86-755-8981 8866 Fax: +86-755-8427 6832

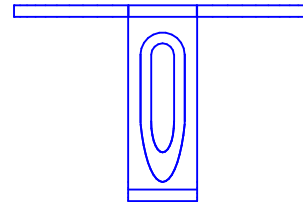
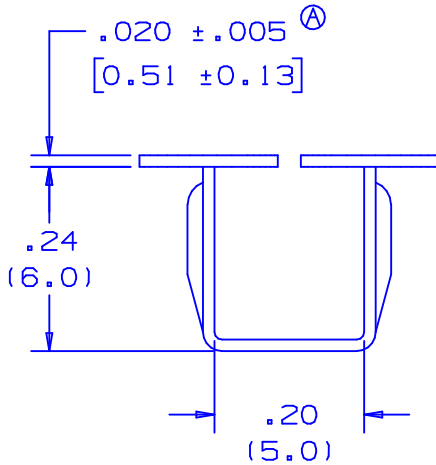
Email & Skype: info@chipsmall.com Web: www.chipsmall.com

Address: A1208, Overseas Decoration Building, #122 Zhenhua RD., Futian, Shenzhen, China





- NOTES:
1. DIMENSIONAL TOLERANCES:  
 .XX ±.02 (.5)  
 .XXX ±.010 (.25)
  2. USE WITH STANDARD CROSS SECTION MLTs.
  3. DIMS IN ( ) ARE mm.
  4. TO BE INSTALLED IN .25 (6.3) DIAMETER HOLE. USED ON PLATE THICKNESS OF .03 - .12 (.8 - 4.0)
  5. PACKAGE QTY: Q = 25



S41075\_02

							<h1>PANDUIT</h1> <p>CORP. TINLEY PARK, ILLINOIS</p>			
							<h2>METAL PUSH BUTTON MOUNT</h2> <h3>MBM-H25</h3>			
							UNLESS OTHERWISE SPECIFIED, DIMENSIONAL TOLERANCES ARE: (.X) ±                    (.XXX) ± (.XX) ±                    ANGLES ±		UNLESS OTHERWISE SPECIFIED, ALL DIMENSIONS ARE GIVEN IN INCHES, THIRD ANGLE PROJECTION.	
02	1/04	BRH		Ⓐ CHANGED DIM TO .020±.005, WAS .02	11472					
01	1/01	KMD	JAC	ADDED NOTE 5 CAD FILE SPEC WAS N41075SA_PCD_00	09010	JAC	CCH	DRAWN BY BJO	MAT'L: 304 STAINLESS STEEL	SCALE 4X
00	11/92	BO	JAC	RELEASED	01265	LA	GP	DATE 11/11/92		DRAWING NO. S41075
REV	DATE	BY	CHK	DESCRIPTION	ECN #	CUST	PM	CHK'D JAC		DWG SIZE A