



Chipsmall Limited consists of a professional team with an average of over 10 year of expertise in the distribution of electronic components. Based in Hongkong, we have already established firm and mutual-benefit business relationships with customers from,Europe,America and south Asia,supplying obsolete and hard-to-find components to meet their specific needs.

With the principle of “Quality Parts,Customers Priority,Honest Operation,and Considerate Service”,our business mainly focus on the distribution of electronic components. Line cards we deal with include Microchip,ALPS,ROHM,Xilinx,Pulse,ON,Everlight and Freescale. Main products comprise IC,Modules,Potentiometer,IC Socket,Relay,Connector.Our parts cover such applications as commercial,industrial, and automotives areas.

We are looking forward to setting up business relationship with you and hope to provide you with the best service and solution. Let us make a better world for our industry!



Contact us

Tel: +86-755-8981 8866 Fax: +86-755-8427 6832

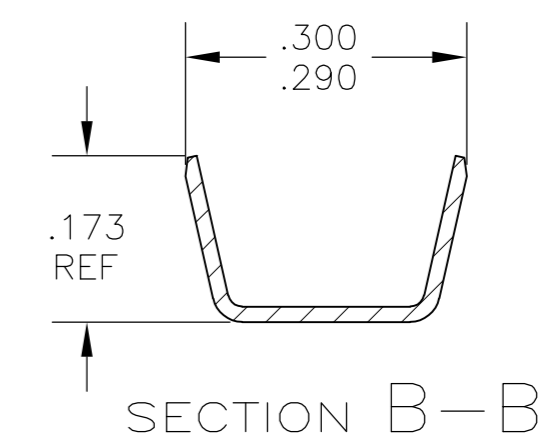
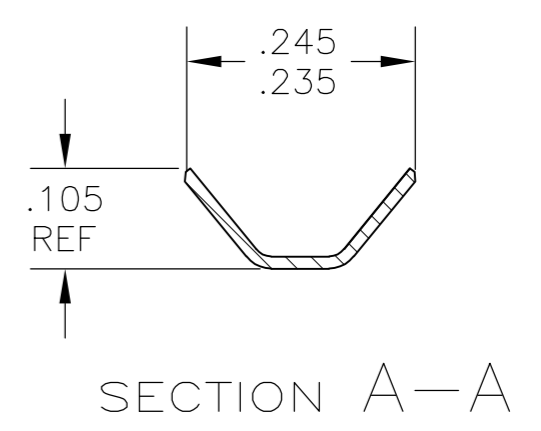
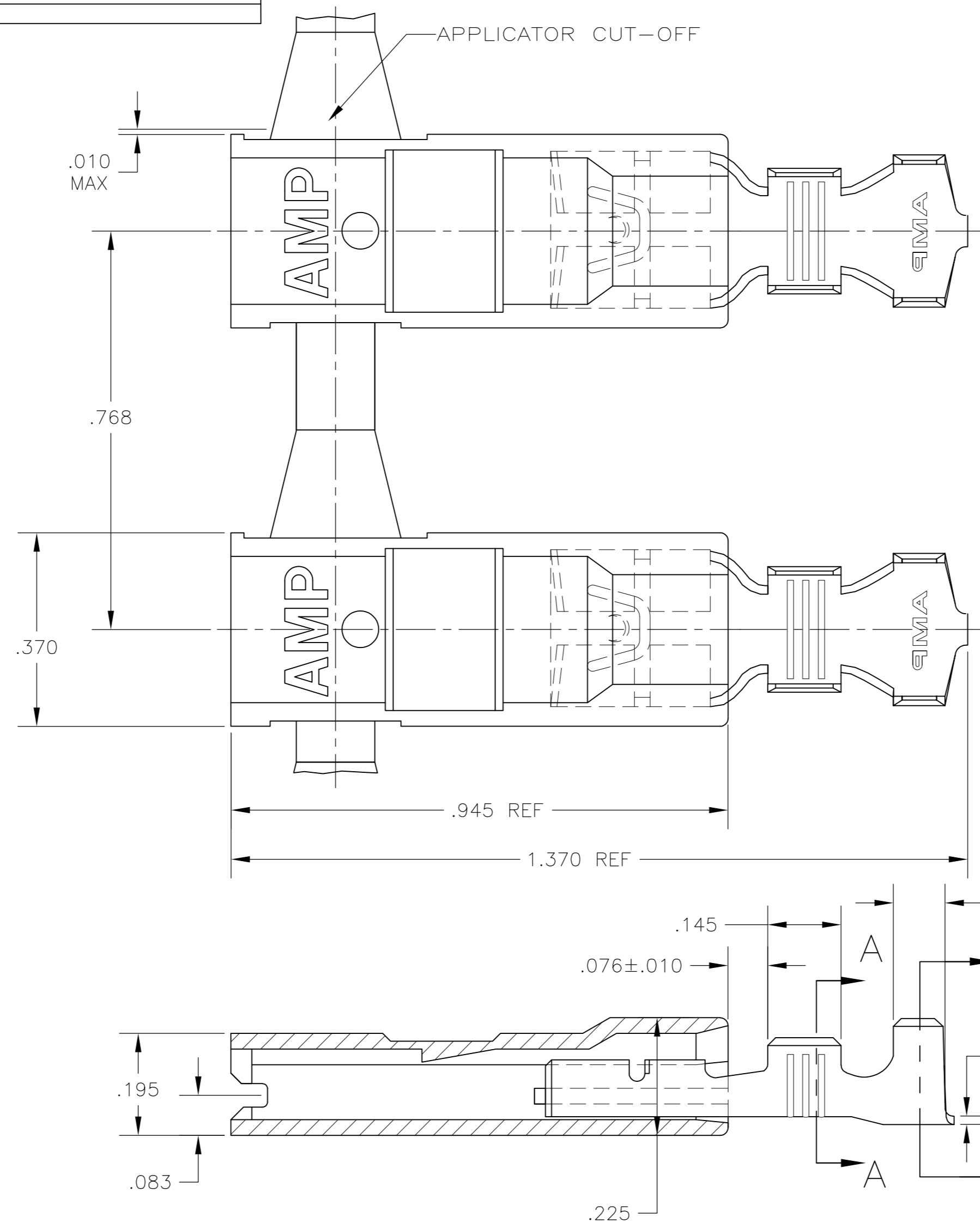
Email & Skype: info@chipsmall.com Web: www.chipsmall.com

Address: A1208, Overseas Decoration Building, #122 Zhenhua RD., Futian, Shenzhen, China



THIS DRAWING IS UNPUBLISHED. RELEASED FOR PUBLICATION
 © COPYRIGHT - By - ALL RIGHTS RESERVED.

LOC	DIST	REVISIONS					
AF	50	P	LTR	DESCRIPTION	DATE	DWN	APVD
		B6		REVISED PER ECR-12-013219	08JAN13	KH	KR



- 1 LOW-INSERTION FASTON TERMINALS ARE USED IN THIS PRODUCT.
- 2 TIN PLATE PER .000080 MIN
- 3 WIRE SIZE IS 18-14 OR TWO 18'S AWG OR TWO 20'S AWG
- 4 INSULATION RANGE IS .110-.170 DIA OR TWO .105 MAX DIA
- 5 MATING TAB THK IS .032±.001
- 6 PREPRODUCTION - F.A.S.R. REQUIRED.

STANDARD	6/6 NYLON, NATURAL	BRASS - TIN	2	521637-2
STANDARD	6/6 NYLON, NATURAL	BRASS - PLAIN	6	521637-1
PACKAGING	HOUSING MATERIAL & FINISH	TERMINAL MATERIAL & FINISH	PART NO.	

THIS DRAWING IS A CONTROLLED DOCUMENT.		DWN	JR RUTH	22MAY03	 TE Connectivity ASSEMBLY, ULTRA-POD, RECEPTACLE, .250 SERIES	
DIMENSIONS: INCHES		CHK	MS FEHER	22MAY03		
TOLERANCES UNLESS OTHERWISE SPECIFIED:		APVD	J HUMMEL	22MAY03		
0 PLC ± - 1 PLC ± - 2 PLC ± - 3 PLC ± .010 4 PLC ± - ANGLES ± - FINISH SEE TABLE		PRODUCT SPEC	108-1285			
MATERIAL SEE TABLE		APPLICATION SPEC	114-2124		SIZE	A2
		WEIGHT	-		CAGE CODE	00779
		CUSTOMER DRAWING			DRAWING NO	C=521637
		SCALE	5:1		SHEET	1 of 1
		REV	B6			