



Chipsmall Limited consists of a professional team with an average of over 10 year of expertise in the distribution of electronic components. Based in Hongkong, we have already established firm and mutual-benefit business relationships with customers from,Europe,America and south Asia,supplying obsolete and hard-to-find components to meet their specific needs.

With the principle of "Quality Parts,Customers Priority,Honest Operation,and Considerate Service",our business mainly focus on the distribution of electronic components. Line cards we deal with include Microchip,ALPS,ROHM,Xilinx,Pulse,ON,Everlight and Freescale. Main products comprise IC,Modules,Potentiometer,IC Socket,Relay,Connector.Our parts cover such applications as commercial,industrial, and automotives areas.

We are looking forward to setting up business relationship with you and hope to provide you with the best service and solution. Let us make a better world for our industry!



Contact us

Tel: +86-755-8981 8866 Fax: +86-755-8427 6832

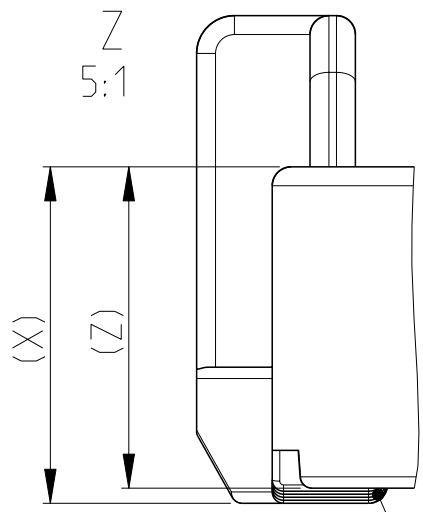
Email & Skype: info@chipsmall.com Web: www.chipsmall.com

Address: A1208, Overseas Decoration Building, #122 Zhenhua RD., Futian, Shenzhen, China

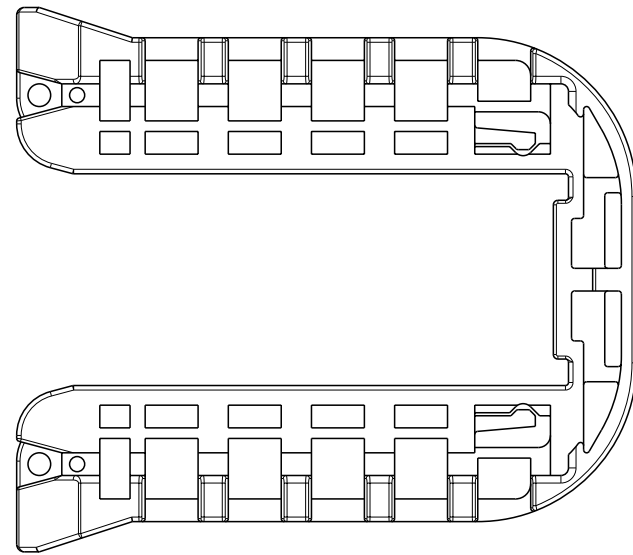


0-1564562-1 AS SHOWN
 0-1564562-1 wie gezeigt

REVISIONS ÄNDERUNGEN					
P	LTR	DESCRIPTION BESCHREIBUNG	DATE	DWN	APVD
J1		DETAILS SEE PCN E-14-006509,E-14-008262.	02MAY2014	KP	JG
J2		GENERAL TOLERANCES CHANGED	02MAY2014	KP	JG
K		DETAILS SEE PCN E-15-008283	01JUN2015	Ho.	Gilch
K1		DETAILS SEE PCN E-16-013669	26SEP2016	MAH.	GILC

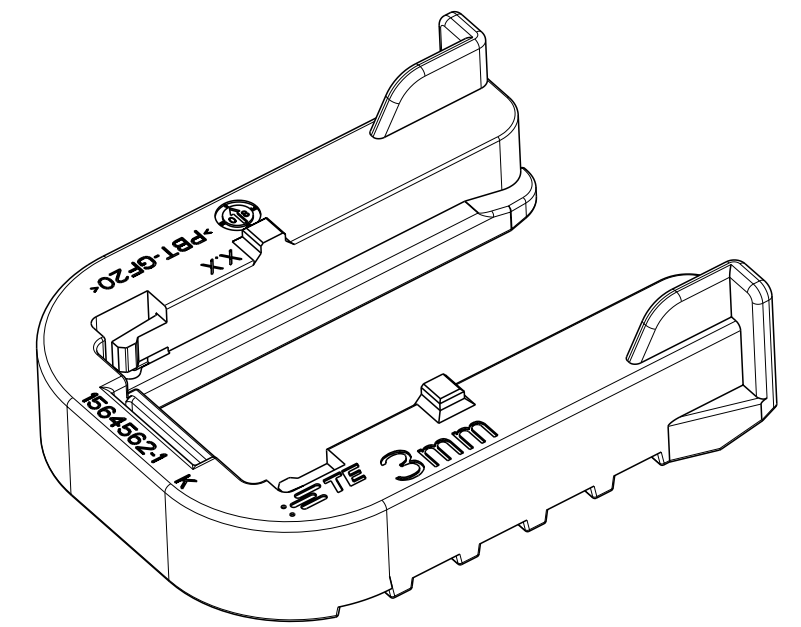
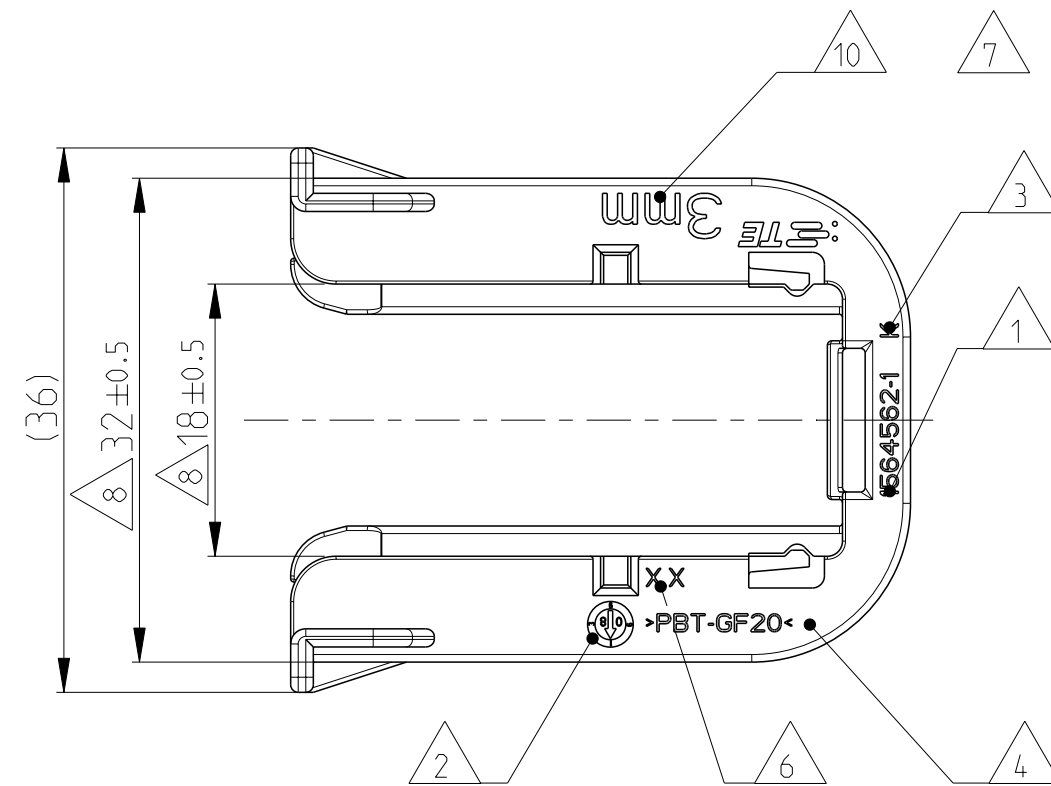
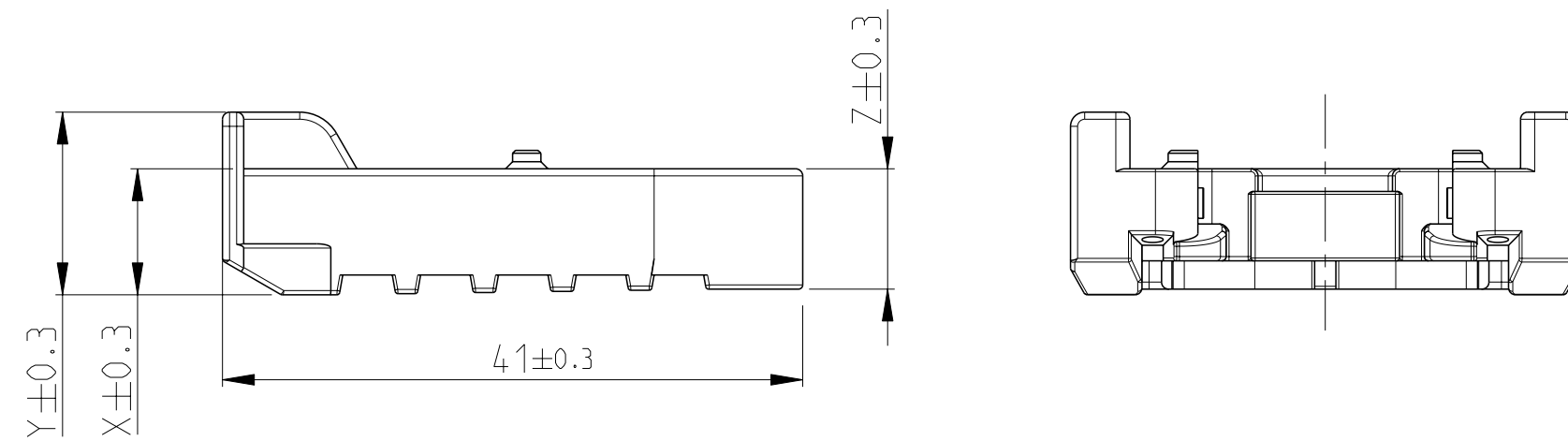
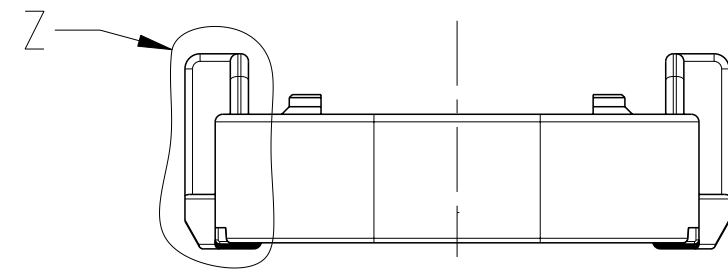


GEOMETRY GRADUALLY INCREASING
 FROM DIMENSION "Z" TO "X".
 Geometrie stufenweise ansteigend
 von Dimension "Z" nach "X".



NOTES
 Bemerkungen

- 1 TE ORDER-NO.
TE Bestell-Nr.
- 2 PRODUCTION DATE
Produktionsdatum
- 3 LETTER-INSERT FOR THE REVISION STATUS OF THE MOULD
Schriftsatz fuer Aenderungszustand des Werkzeuges
- 4 MATERIAL MARKING ACCORDING TO VDA 260
Werkstoffkennzeichnung nach VDA 260
- 5 BULK PACKAGING IN CORRUGATED BOX
Schuetftgut im Versandkarton
- 6 MOULD CAVITY MARKING
Nestmarkierung
- 7 TE LOGO
TE Logo
- 8 WARPAGE PERMITTED UP TO -1.5mm FROM NOMINAL SIZE
Verzug zulaessig bis -1.5mm vom Nennmass
- 9 SUITABLE FOR TAB HOUSING WITH FLANGE GROUP D
SEE PRODUCT GROUP DRAWING 1563709
Passend zu Flachsteckergehaeuse mit Flansch der Gruppe D
siehe Produktgruppenzeichnung 1563709
- 10 MARKING FOR SUITABLE SHEET METAL THICKNESS (NOMINAL SIZE)
Kennzeichnung fuer passende Blechstaecke (Nennmass)



ITEM	TE ORDER-NO. TE Bestell-Nr.	REV.	SHEET METAL THICKNESS Blechdicke	DIM X	DIM Y	DIM Z	MATERIAL	COLOUR Farbe	WEIGHT (g)	DESCRIPTION Beschreibung
K1	0-1564562-6	K	3.5±0.1mm	8.4	12.4	8.0	PBT-GF20/V-0	GREY grau	5.5	Slide, FOR 3.5mm SHEET METAL Schieber, fuer Blech 3.5mm Dicke
	0-1564562-5	K	1.5±0.1mm	10.4	14.4	10.0	PBT-GF20/V-0	GREY grau	6.2	Slide, FOR 1.5mm SHEET METAL Schieber, fuer Blech 1.5mm Dicke
	0-1564562-4	K	1.0±0.1mm	10.9	14.9	10.5	PBT-GF20/V-0	NATURAL natur	6.4	Slide, FOR 1.0mm SHEET METAL Schieber, fuer Blech 1.0mm Dicke
	-	-	4.0±0.1mm	-	-	-	PBT-GF20/V-0	-	-	Slide, FOR 4.0mm SHEET METAL Schieber, fuer Blech 4.0mm Dicke
	0-1564562-2	K	2.5±0.1mm	9.4	13.4	9.0	PBT-GF20/V-0	RED red	5.7	Slide, FOR 2.5mm SHEET METAL Schieber, fuer Blech 2.5mm Dicke
	0-1564562-1	K	3.0±0.1mm	8.9	12.9	8.5	PBT-GF20/V-0	YELLOW gelb	5.6	Slide, FOR 3mm SHEET METAL Schieber, fuer Blech 3mm Dicke

THIS DRAWING IS A CONTROLLED DOCUMENT.
 DIESES ZEICHNUNGSDOKUMENT WIRD DURCH AMI INCORPORATED KONTROLLIERT.
 ÄNDERUNGEN, DIE SICH TECHNISCHER FORTSCHRITT DÜRNEN, SIND VORBEHALTEN.
 DEN JEWEILS LETZTGÜLTIGEN ÄNDERUNGSSTAND ERFAHREN SIE AUF ANFRAGE.

DIMENSIONS:
MASSEINHEITEN:
(MM)

TOLERANCES UNLESS OTHERWISE SPECIFIED:
ALLGEMEINTOLERANZEN
ACC. TO DIN 16901-140

1 PLC ±
2 PLC ±
3 PLC ±
4 PLC ±
ANGLES/WINKEL ±2°
FINISH/OBERFLÄCHE/FARBE
SEE TABLE

DWN: Shilpa Bhavikatti
CHK: J. Granzow
APVD: C. Eberwein

20FEB2009
21FEB2009
21FEB2009

NAME: SLIDE, TAB HOUSING
Schieber, Flachsteckergehaeuse
HDSCS - GROUP D

PRODUCT SPEC: 108-94020
APPLICATION SPEC: 114-18756

SIZE: A2
CAGE CODE: 00779
DRAWING NO: C=1564562
REVISIONS: K1

CUSTOMER DRAWING /KUNDENZEICHNUNG
SCALE MASSSTAB: 2:1
SHEET BLATT: 1 OF 1
REV: K1