



Chipsmall Limited consists of a professional team with an average of over 10 year of expertise in the distribution of electronic components. Based in Hongkong, we have already established firm and mutual-benefit business relationships with customers from,Europe,America and south Asia,supplying obsolete and hard-to-find components to meet their specific needs.

With the principle of “Quality Parts,Customers Priority,Honest Operation,and Considerate Service”,our business mainly focus on the distribution of electronic components. Line cards we deal with include Microchip,ALPS,ROHM,Xilinx,Pulse,ON,Everlight and Freescale. Main products comprise IC,Modules,Potentiometer,IC Socket,Relay,Connector.Our parts cover such applications as commercial,industrial, and automotives areas.

We are looking forward to setting up business relationship with you and hope to provide you with the best service and solution. Let us make a better world for our industry!



## Contact us

Tel: +86-755-8981 8866 Fax: +86-755-8427 6832

Email & Skype: info@chipsmall.com Web: www.chipsmall.com

Address: A1208, Overseas Decoration Building, #122 Zhenhua RD., Futian, Shenzhen, China



## 30A and 50A, 48VDC EMI Filters

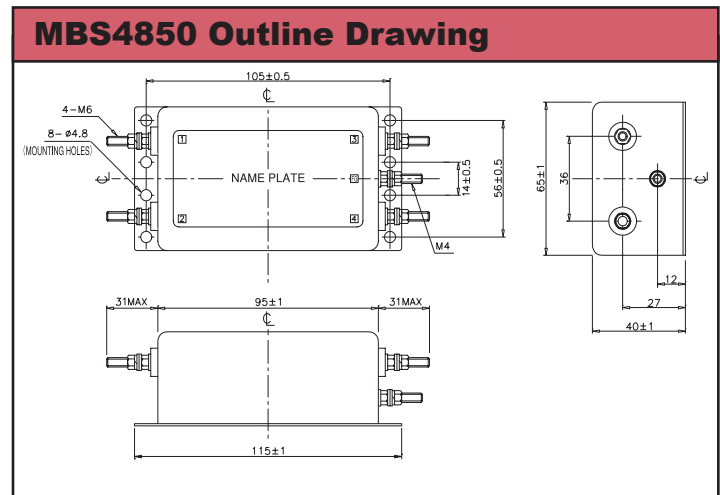
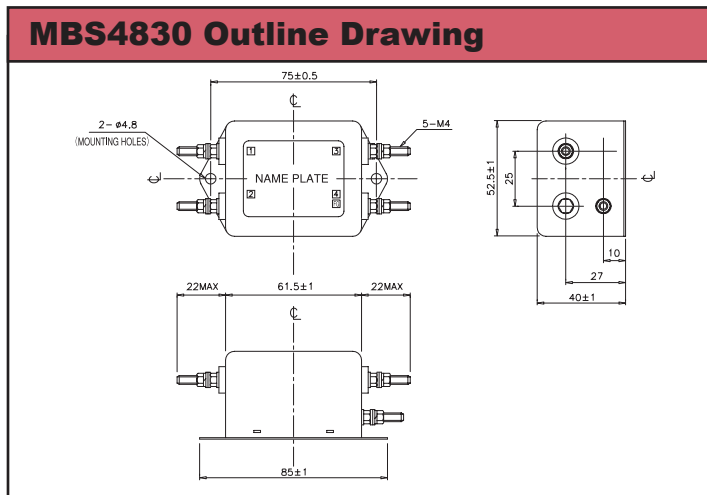
### Features

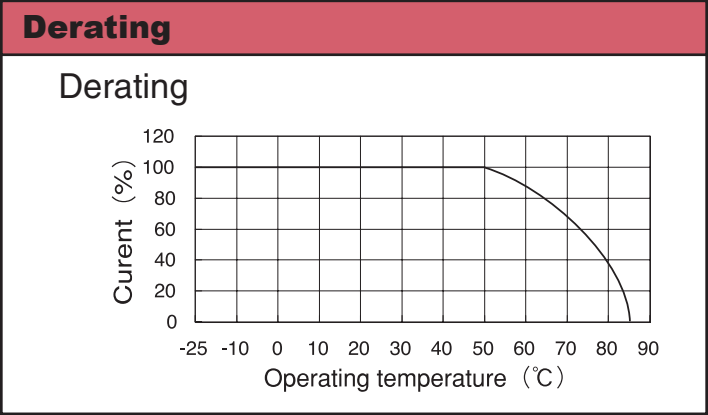
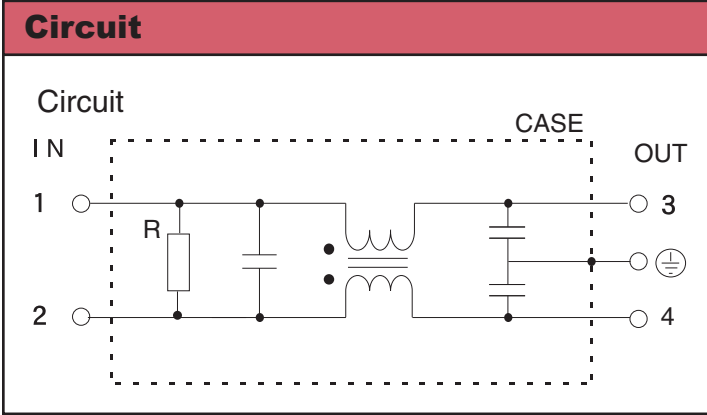
- ◆ High Attenuation
- ◆ Stud Terminal Connection
- ◆ Compact Size



Last time buy - June 1, 2014

Specifications			
Model		MBS4830	MBS4850
Rated Voltage	VDC	48VDC (72VDC Max)	
Rated Current	A	30A, 45A peak surge for 1 min	50A, 75A peak surge for 1 min
Test Voltage (For 1 min.)	V	Terminals to Case: 700VDC (20mA) at 25°C, 70% RH Between terminals 100VDC (20mA) at 25°C, 70% RH	
Isolation Resistance	MΩ	500MΩ minimum at 25°C, 70% RH	
Leakage Current	mA	Not Applicable	
DC Resistance	mΩ	8	4
Temperature Rise	°C	35	30
Operating Temperature	°C	-25° to +85°C (see derating curve)	
Storage Temperature	°C	-40° to +85°	
Operating Humidity	-	30 to 95% RH (non condensing)	
Storage Humidity	-	10 to 95% RH (non condensing)	
Vibration	-	10-55-10Hz, Amplitude 1.5mm (1 minute), X, Y, Z (2 hour each)	
Weight (Typ)	g	310	650
Warranty	-	1 Year	

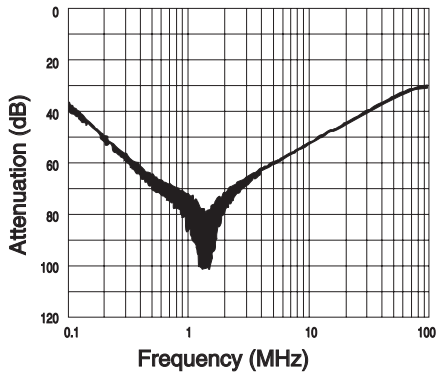




**Typ. Insertion Loss, Symmetrical**

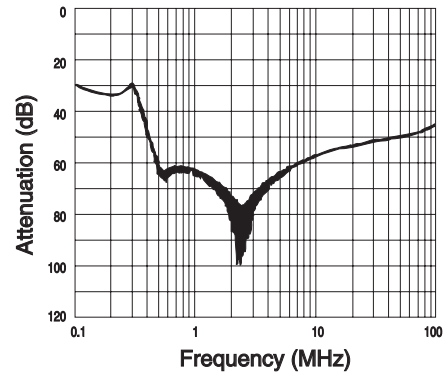
(1) Asymmetrical

**MBS4830**

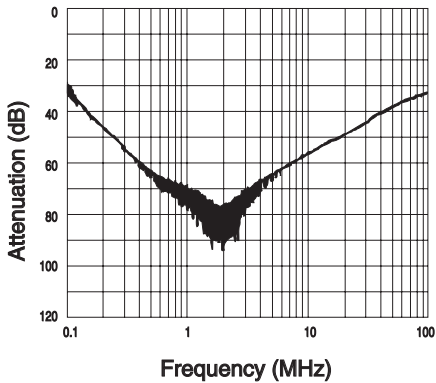


(2) Symmetrical

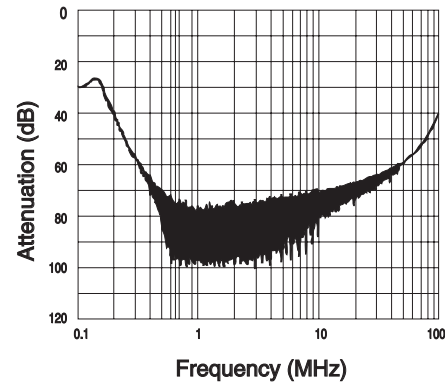
**MBS4830**



**MBS4850**



**MBS4850**



For Additional Information, please visit  
[us.tdk-lambda.com/lp/products/mbs-series.htm](http://us.tdk-lambda.com/lp/products/mbs-series.htm)



**Last time buy - June 1, 2014**