



Chipsmall Limited consists of a professional team with an average of over 10 year of expertise in the distribution of electronic components. Based in Hongkong, we have already established firm and mutual-benefit business relationships with customers from,Europe,America and south Asia,supplying obsolete and hard-to-find components to meet their specific needs.

With the principle of “Quality Parts,Customers Priority,Honest Operation,and Considerate Service”,our business mainly focus on the distribution of electronic components. Line cards we deal with include Microchip,ALPS,ROHM,Xilinx,Pulse,ON,Everlight and Freescale. Main products comprise IC,Modules,Potentiometer,IC Socket,Relay,Connector.Our parts cover such applications as commercial,industrial, and automotives areas.

We are looking forward to setting up business relationship with you and hope to provide you with the best service and solution. Let us make a better world for our industry!



Contact us

Tel: +86-755-8981 8866 Fax: +86-755-8427 6832

Email & Skype: info@chipsmall.com Web: www.chipsmall.com

Address: A1208, Overseas Decoration Building, #122 Zhenhua RD., Futian, Shenzhen, China



Motion Series Cable

NEED CUSTOMS?
See Page 25

- Ideal for Hi-Flex Motion Applications
- Designed for 1KW, 2KW and 3KW Servo Motors
- Shielded Power and Signal Wires for 1, 2 or 3 Servo Axes

Cicoil's Motion Series cable is available in three designs for 1, 2 or 3 axes of servo motion with multiple power ratings. Each Motion Series cable incorporates four shielded power cables and eight signal cables for each axis of motion. The Flexx-Sil™ encapsulation provides a solid, one-piece construction that creates a highly durable, flexible flat cable package.



UL MEETS 94V-0 SP CE RoHS COMPLIANT REACH COMPLIANT FAA FLAMETESTED

Applications
Linear Motors, Servo and Stepper Motors

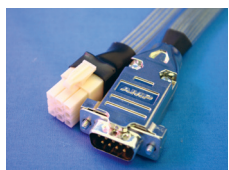
Cable

Power Rating	Amp Rating ¹	No. of Axes	Conductor Gauge		Dimensions [inches]		Part Number
			Power	Signal	Width	Height	
1KW	8	1	22 AWG/4c	28 AWG/8c	0.85	0.10	MC-1000-1
		2	22 AWG/8c	28 AWG/16c	1.68	0.10	MC-1000-2
		3	22 AWG/12c	28 AWG/24c	2.52	0.10	MC-1000-3
2KW	15	1	18 AWG/4c	28 AWG/8c	0.95	0.14	MC-2000-1
		2	18 AWG/8c	28 AWG/16c	1.89	0.14	MC-2000-2
		3	18 AWG/12c	28 AWG/24c	2.83	0.14	MC-2000-3
3KW	27	1	14 AWG/4c	28 AWG/8c	1.10	0.20	MC-3000-1
		2	14 AWG/8c	28 AWG/16c	2.19	0.20	MC-3000-2
		3	14 AWG/12c	28 AWG/24c	3.27	0.20	MC-3000-3

Notes

1. Amp rating is the maximum value for each conductor at room temperature of 70°F (21°C). Amp rating decreases as temperature increases.

Cable Assemblies



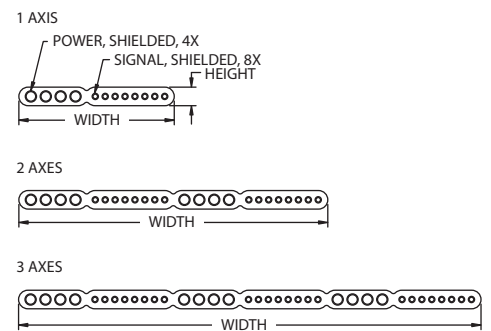
Please contact Cicoil for other connectors and length options.

Cable Length (feet)	Part Number Addition
3	-CA003
6	-CA006
12	-CA012

Notes

1. Append onto base cable Part Number for complete assembly. Example: MC-1000-1-CA003
2. Connector ratings may differ from cable ratings; refer to manufacturer specifications.

Dimensions



Assembly Dimensions



Connectors

- Signal (J1): D-Sub 9-Pin, P/N L717-DB25P
Shell P/N 5748677-3

Wire Gauge	Power (P1)
18-22	Tin Contacts - TE, P/N 770904-1 9-Pos Housing - TE, P/N 172169-1
14	Gold Contacts - MOLEX, P/N 02-09-6110 15-Pos Housing - MOLEX, P/N 19-09-2159

Cable Specifications

All engineering values are nominal and subject to change.

Mechanical	Environmental
Conductors: Ultra flexible, finely stranded, tinned copper	Temperature Rating: -65°C to +165°C
Shielding: Ultra flexible, braided shields, with 90% nominal coverage	Moisture Rating: Submersible, Salt Water Resistant
Minimum Bend Radius: - 6x cable height for intermediate flex - 10x cable height for continuous flex	Clean Room Rating: Class 1, Zero Particulates
Flex Life: 10,000,000 cycles nominal	Extreme Environments: Sunlight, UV Light, Alcohol, Chemical and Oil Resistant
Outer Jacket Durometer Rating: 65 (Shore A)	Electrical
	Outer Jacket Dielectric Strength: 450 volts/mil (17.7 kv/mm)
	See Electrical Rating Chart on Page 47

Options

Page

Additional Conductors	26
Low Friction Options	28
StripMount™ Integrated Mounting Strip	28
Integrated Tubing	29
SuperTuff™ Jacket	29
Colored Jacketing	29
Strip and Tin Cable Ends	29
FlexRail™ Self-Supporting Cable	30
Complete Assembly	31