



Chipsmall Limited consists of a professional team with an average of over 10 year of expertise in the distribution of electronic components. Based in Hongkong, we have already established firm and mutual-benefit business relationships with customers from,Europe,America and south Asia,supplying obsolete and hard-to-find components to meet their specific needs.

With the principle of “Quality Parts,Customers Priority,Honest Operation,and Considerate Service”,our business mainly focus on the distribution of electronic components. Line cards we deal with include Microchip,ALPS,ROHM,Xilinx,Pulse,ON,Everlight and Freescale. Main products comprise IC,Modules,Potentiometer,IC Socket,Relay,Connector.Our parts cover such applications as commercial,industrial, and automotives areas.

We are looking forward to setting up business relationship with you and hope to provide you with the best service and solution. Let us make a better world for our industry!



Contact us

Tel: +86-755-8981 8866 Fax: +86-755-8427 6832

Email & Skype: info@chipsmall.com Web: www.chipsmall.com

Address: A1208, Overseas Decoration Building, #122 Zhenhua RD., Futian, Shenzhen, China





Features:

- ◇ Low-cost, high-performance replacement for many OEM DPMs
- ◇ Mounting choices:
 - Window mount for custom OEM
 - Surface mount with minimum space behind the panel
 - Snap-in bezel mount eliminates mounting hardware
- ◇ Low power: choice of 1.5mA (9V) or 2.6mA (+5V)
- ◇ Space-saving design: only 1" (25 mm) deep
- ◇ Occupies less than 2.5 X 1.1 inches of front panel space
- ◇ 4½ digits with high-contrast LCD

Specifications:

| | | |
|----------------------|--------------------------|--|
| Display: | Digits: | 4 ½ digits (±19999 counts) |
| | Type: | 0.5" (13mm) 7 segment LCD |
| | Polarity: | automatic, "-" displayed |
| | Annunciators: | "LoBat" when power <7.2 VDC |
| | Decimal Points: | 4 position, user selectable |
| | Overrange: | four lower order digits blank for inputs >19999 & <-19999 |
| | Hold: | standard |
| Inputs: | Ranges: | ±200.0 mV, ±2.000 V, ±20.00 VDC |
| | Configuration: | single ended for 9 V powered, differential for 5 V powered |
| | Protection: | ±10 VDC on 200 mV; ±100 VDC on @ 2 V; ±350 VDC on 20 V range |
| | Impedance: | >100 MΩ on ± 200 mV; (>1 MΩ on 2 V & 20 V range) |
| | Bias Current: | 10 pA typical |
| Performance: | Accuracy: | ±(0.06% fs + 1 count) maximum |
| | Conversion Rate: | 2 per second |
| | Normal Mode Rejection: | >30 dB @ 60 Hz |
| | Common Mode Range: | ±1 VDC (5 V powered) |
| | Common Mode Rej.: | >86 dB |
| | Zero Adjustment: | automatic |
| | Warmup: | 10 minutes typical |
| | Temperature Coefficient: | ±50 ppm per °C typical ±100 ppm max for 200 mV range ±100 ppm per °C typical ±200 ppm max for 2 V & 20 V ranges |
| Environment: | Operating Range: | 0 to 50 °C |
| | Storage Range: | -20 to 70 °C |
| Power Supply: | 5V powered: | +5 VDC (4.65 - 5.35) at 2.6 mA |
| | 9V powered: | +7.2 to +12 V at 1.5 mA |
| Mounting: | DK700: | surface or window mount |
| | DK710: | snap-in bezel mount |
| Connection: | | 13 pins, 0.025" square on 0.1" centers |

Ordering Information:

DK700 SERIES - Window/ Surface Mount, low-cost 4½ digit LCD Display

| PART NUMBER | METER INPUT | METER POWER |
|-------------|-------------|-------------|
| DK702 | 200mV | +5VDC |
| DK703 | 2V | +5VDC |
| DK704 | 200mV | 9V |
| DK705 | 2V | 9V |

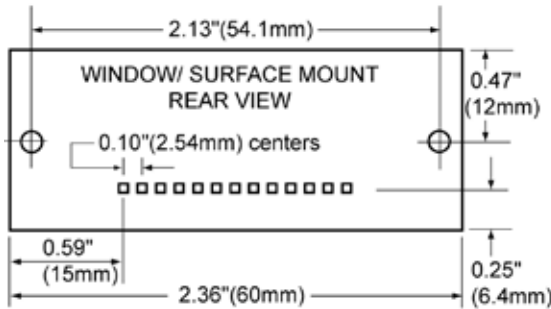
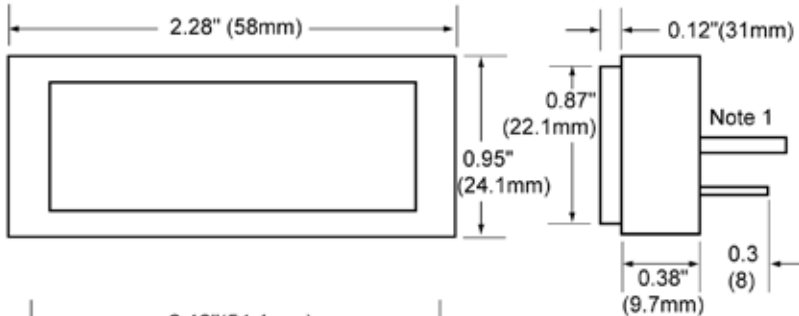
DK710 SERIES - Snap-in Bezel Mount, low-cost 4½ digit LCD Display

| PART NUMBER | METER INPUT | METER POWER |
|-------------|-------------|-------------|
| DK710 | 200mV | +5VDC |
| DK711 | 2V | +5VDC |
| DK712 | 20V | +5VDC |

| | |
|--------|--|
| J4C13 | 13 Pin Connector / Wire Assembly |
| PW2-5 | Regulated 120V AC to 5V DC Power Supply |
| PW2-12 | Regulated 120V AC to 12V DC Power Supply |
| PW1.0 | 24V AC to adjustable DC output |
| CPW1.5 | 24V AC to adjustable DC output |
| CVC | Calibrator |

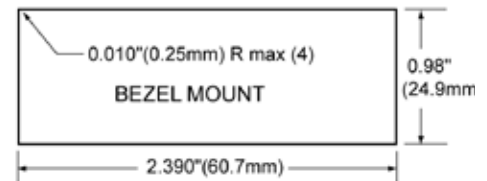
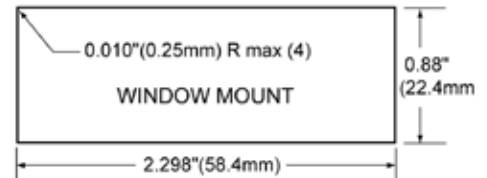
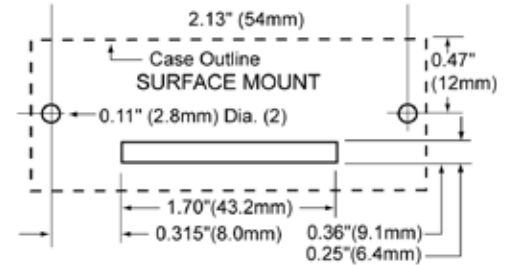
Dimensions & Wiring Connections

WINDOW/SURFACE MOUNT DIMENSIONS

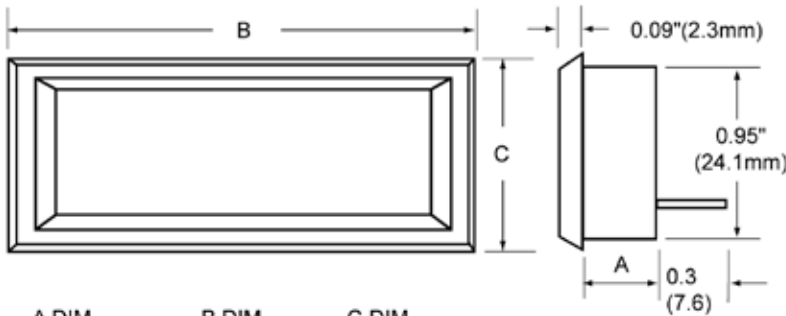


NOTES:
 1. Mounting studs (2) are #2-56, length 0.5 (13) min. Snap in bezel mount does not have mounting studs.

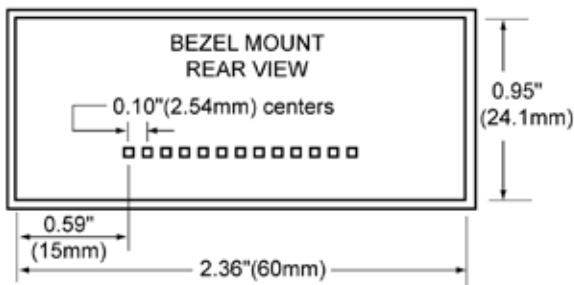
PANEL CUTOUTS



SNAP IN BEZEL MOUNT DIMENSIONS



| A DIM. | B DIM. | C DIM. |
|---------------|---------------|-------------|
| 0.44"(11.2mm) | 2.51"(63.8mm) | 1.10"(28mm) |



INCHES (mm)

CONNECTION DESCRIPTION

| PIN# | DESCRIPTION |
|------|---|
| 1 | V+ POSITIVE SUPPLY CONNECTION |
| 2 | V- NEGATIVE SUPPLY CONNECTION |
| 3 | INH1 INPUT HIGH TERMINAL |
| 4 | INLO INPUT LOW TERMINAL |
| 5 | D1 DECIMAL POINT = 000.0 |
| 6 | D2 DECIMAL POINT = 00.00 |
| 7 | D3 DECIMAL POINT = 0.000 |
| 8 | D4 DECIMAL POINT = .0000 |
| 9 | DP DP COMMON <small>CONNECT TO DECIMAL POINTS TO ACTIVATE</small> |
| 10 | RNG 10:1 RANGE <small>CONNECT TO V+ TO ACTIVATE</small> |
| 11 | HLD HOLD FEATURE <small>CONNECT TO V+ TO ACTIVATE</small> |
| 12 | NC |
| 13 | NC |