



Chipsmall Limited consists of a professional team with an average of over 10 year of expertise in the distribution of electronic components. Based in Hongkong, we have already established firm and mutual-benefit business relationships with customers from,Europe,America and south Asia,supplying obsolete and hard-to-find components to meet their specific needs.

With the principle of “Quality Parts,Customers Priority,Honest Operation,and Considerate Service”,our business mainly focus on the distribution of electronic components. Line cards we deal with include Microchip,ALPS,ROHM,Xilinx,Pulse,ON,Everlight and Freescale. Main products comprise IC,Modules,Potentiometer,IC Socket,Relay,Connector.Our parts cover such applications as commercial,industrial, and automotives areas.

We are looking forward to setting up business relationship with you and hope to provide you with the best service and solution. Let us make a better world for our industry!



## Contact us

Tel: +86-755-8981 8866 Fax: +86-755-8427 6832

Email & Skype: info@chipsmall.com Web: www.chipsmall.com

Address: A1208, Overseas Decoration Building, #122 Zhenhua RD., Futian, Shenzhen, China



# MC1488

## Quad Line EIA-232D Driver

The MC1488 is a monolithic quad line driver designed to interface data terminal equipment with data communications equipment in conformance with the specifications of EIA Standard No. EIA-232D.

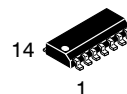
### Features

- Current Limited Output  
 $\pm 10$  mA typical
- Power-Off Source Impedance  
300  $\Omega$  minimum
- Simple Slew Rate Control with External Capacitor
- Flexible Operating Supply Range
- Compatible with All ON Semiconductor DTL and TTL Logic Families
- Pb-Free Packages are Available

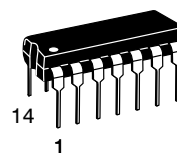


**ON Semiconductor®**

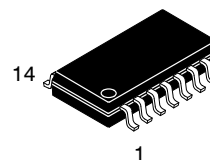
<http://onsemi.com>



SOIC-14  
D SUFFIX  
CASE 751A



PDIP-14  
P SUFFIX  
CASE 646



SOEIAJ-14  
M SUFFIX  
CASE 965

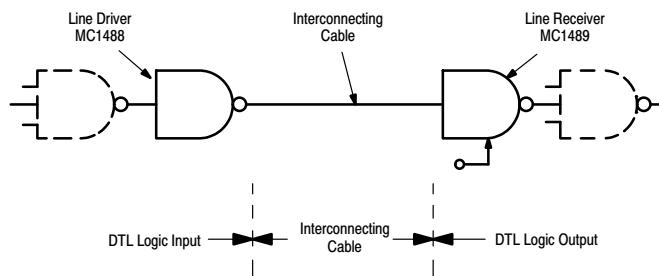
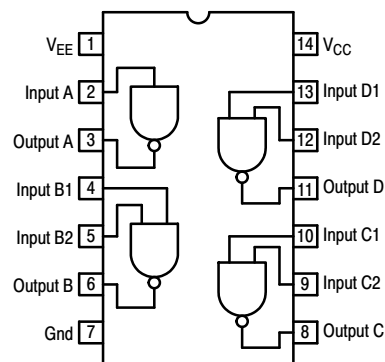


Figure 1. Simplified Application

### PIN CONNECTIONS



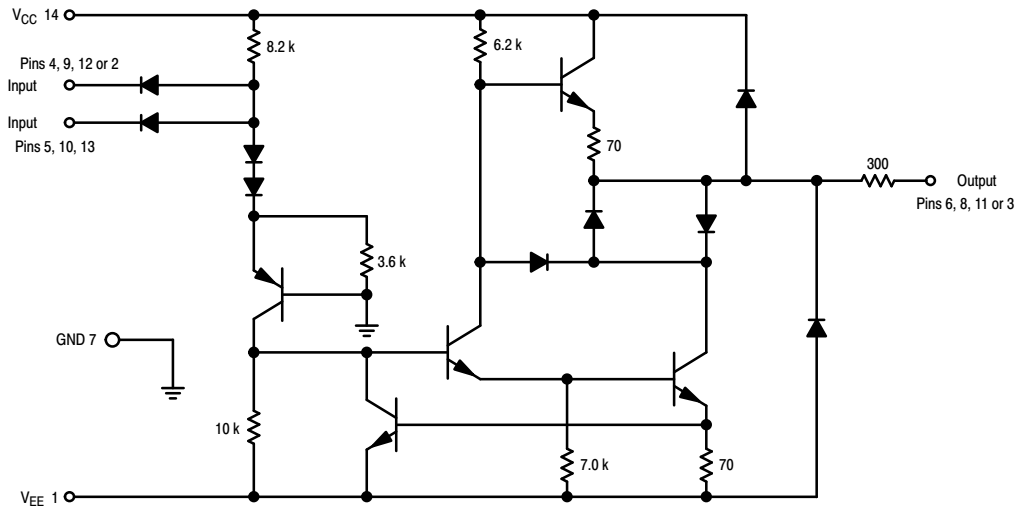
### ORDERING INFORMATION

See detailed ordering and shipping information in the package dimensions section on page 8 of this data sheet.

### DEVICE MARKING INFORMATION

See general marking information in the device marking section on page 8 of this data sheet.

# MC1488



**Figure 2. Circuit Schematic**  
(1/4 of Circuit Shown)

# MC1488

## MAXIMUM RATINGS (T<sub>A</sub> = +25°C, unless otherwise noted.)

Rating	Symbol	Value	Unit
Power Supply Voltage	V <sub>CC</sub> V <sub>EE</sub>	+ 15 - 15	Vdc
Input Voltage Range	V <sub>IR</sub>	- 15 ≤ V <sub>IR</sub> ≤ 7.0	Vdc
Output Signal Voltage	V <sub>O</sub>	±15	Vdc
Power Derating (Package Limitation, SO-14 and Plastic Dual-In-Line Package) Derate above T <sub>A</sub> = + 25°C	P <sub>D</sub> 1/R <sub>θJA</sub>	1000 6.7	mW mW/°C
Operating Ambient Temperature Range	T <sub>A</sub>	0 to + 75	°C
Storage Temperature Range	T <sub>stg</sub>	- 65 to + 175	°C

Stresses exceeding Maximum Ratings may damage the device. Maximum Ratings are stress ratings only. Functional operation above the Recommended Operating Conditions is not implied. Extended exposure to stresses above the Recommended Operating Conditions may affect device reliability.

## ELECTRICAL CHARACTERISTICS (V<sub>CC</sub> = + 9.0 ± 1% Vdc, V<sub>EE</sub> = - 9.0 ± 1% Vdc, T<sub>A</sub> = 0 to 75°C, unless otherwise noted.)

Characteristic	Symbol	Min	Typ	Max	Unit
Input Current – Low Logic State (V <sub>IL</sub> = 0)	I <sub>IL</sub>	-	1.0	1.6	mA
Input Current – High Logic State (V <sub>IH</sub> = 5.0 V)	I <sub>IH</sub>	-	-	10	μA
Output Voltage – High Logic State (V <sub>IL</sub> = 0.8 Vdc, R <sub>L</sub> = 3.0 kΩ, V <sub>CC</sub> = + 9.0 Vdc, V <sub>EE</sub> = - 9.0 Vdc) (V <sub>IL</sub> = 0.8 Vdc, R <sub>L</sub> = 3.0 kΩ, V <sub>CC</sub> = + 13.2 Vdc, V <sub>EE</sub> = - 13.2 Vdc)	V <sub>OH</sub>	+ 6.0 + 9.0	+ 7.0 + 10.5	- -	Vdc
Output Voltage – Low Logic State (V <sub>IH</sub> = 1.9 Vdc, R <sub>L</sub> = 3.0 kΩ, V <sub>CC</sub> = + 9.0 Vdc, V <sub>EE</sub> = - 9.0 Vdc) (V <sub>IH</sub> = 1.9 Vdc, R <sub>L</sub> = 3.0 kΩ, V <sub>CC</sub> = + 13.2 Vdc, V <sub>EE</sub> = - 13.2 Vdc)	V <sub>OL</sub>	- 6.0 - 9.0	- 7.0 - 10.5	- -	Vdc
Positive Output Short-Circuit Current, Note 1	I <sub>OS+</sub>	+ 6.0	+ 10	+ 12	mA
Negative Output Short-Circuit Current, Note 1	I <sub>OS-</sub>	- 6.0	- 10	- 12	mA
Output Resistance (V <sub>CC</sub> = V <sub>EE</sub> = 0,  V <sub>O</sub>   = ± 2.0 V)	r <sub>o</sub>	300	-	-	Ohms
Positive Supply Current (R <sub>L</sub> = ∞) (V <sub>IH</sub> = 1.9 Vdc, V <sub>CC</sub> = + 9.0 Vdc) (V <sub>IL</sub> = 0.8 Vdc, V <sub>CC</sub> = + 9.0 Vdc) (V <sub>IH</sub> = 1.9 Vdc, V <sub>CC</sub> = + 12 Vdc) (V <sub>IL</sub> = 0.8 Vdc, V <sub>CC</sub> = + 12 Vdc) (V <sub>IH</sub> = 1.9 Vdc, V <sub>CC</sub> = + 15 Vdc) (V <sub>IL</sub> = 0.8 Vdc, V <sub>CC</sub> = + 15 Vdc)	I <sub>CC</sub>	- - - - - -	+ 15 + 4.5 + 19 + 5.5 - -	+ 20 + 6.0 + 25 + 7.0 + 34 + 12	mA
Negative Supply Current (R <sub>L</sub> = ∞) (V <sub>IH</sub> = 1.9 Vdc, V <sub>EE</sub> = - 9.0 Vdc) (V <sub>IL</sub> = 0.8 Vdc, V <sub>EE</sub> = - 9.0 Vdc) (V <sub>IH</sub> = 1.9 Vdc, V <sub>EE</sub> = - 12 Vdc) (V <sub>IL</sub> = 0.8 Vdc, V <sub>EE</sub> = - 12 Vdc) (V <sub>IH</sub> = 1.9 Vdc, V <sub>EE</sub> = - 15 Vdc) (V <sub>IL</sub> = 0.8 Vdc, V <sub>EE</sub> = - 15 Vdc)	I <sub>EE</sub>	- - - - - -	- 13 - - 18 - - -	- 17 - 500 - 23 - 500 - 34 - 2.5	mA μA mA μA mA mA
Power Consumption (V <sub>CC</sub> = 9.0 Vdc, V <sub>EE</sub> = - 9.0 Vdc) (V <sub>CC</sub> = 12 Vdc, V <sub>EE</sub> = - 12 Vdc)	P <sub>C</sub>	- -	- -	333 576	mW

## SWITCHING CHARACTERISTICS (V<sub>CC</sub> = + 9.0 ± 1% Vdc, V<sub>EE</sub> = - 9.0 ± 1% Vdc, T<sub>A</sub> = + 25°C.)

Propagation Delay Time (z <sub>l</sub> = 3.0 k and 15 pF)	t <sub>PLH</sub>	-	275	350	ns
Fall Time (z <sub>l</sub> = 3.0 k and 15 pF)	t <sub>THL</sub>	-	45	75	ns
Propagation Delay Time (z <sub>l</sub> = 3.0 k and 15 pF)	t <sub>PHL</sub>	-	110	175	ns
Rise Time (z <sub>l</sub> = 3.0 k and 15 pF)	t <sub>TLH</sub>	-	55	100	ns

1. Maximum Package Power Dissipation may be exceeded if all outputs are shorted simultaneously.

# MC1488

## CHARACTERISTIC DEFINITIONS

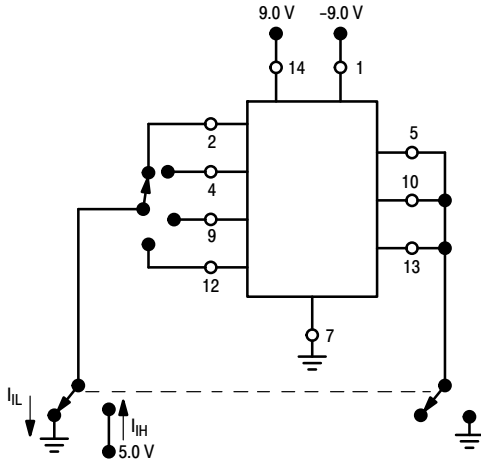


Figure 3. Input Voltage

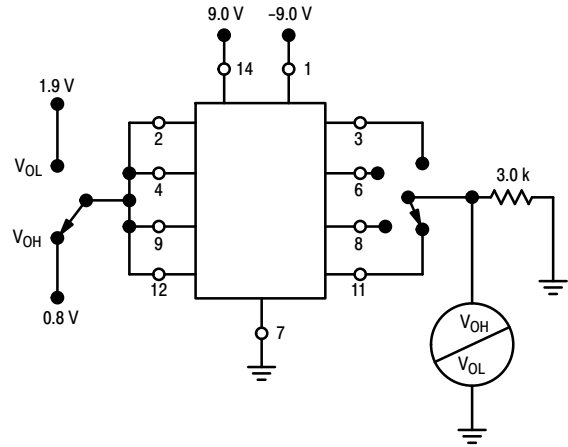


Figure 4. Output Current

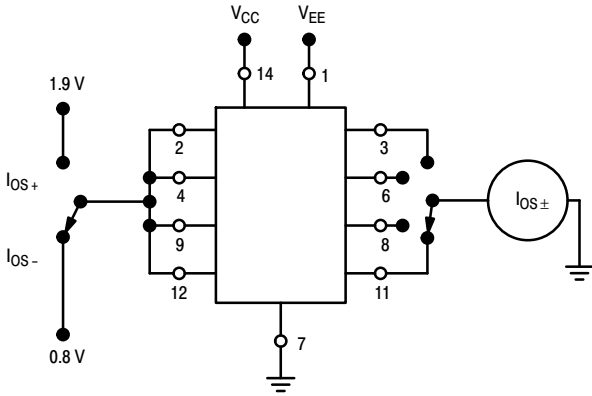


Figure 5. Output Short-Circuit Current

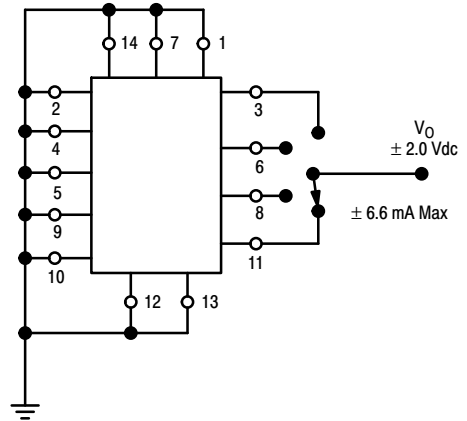


Figure 6. Output Resistance (Power Off)

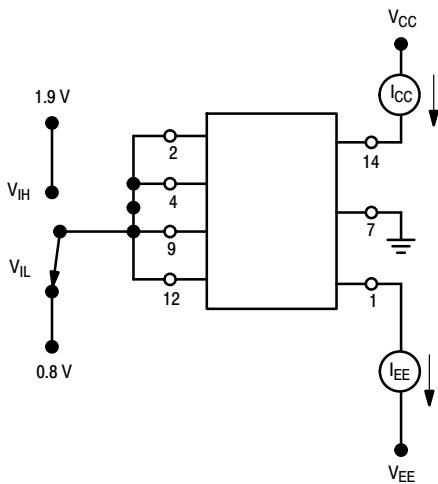


Figure 7. Power Supply Currents

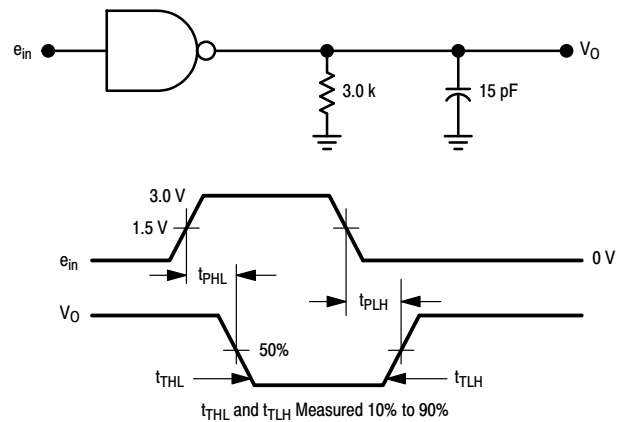
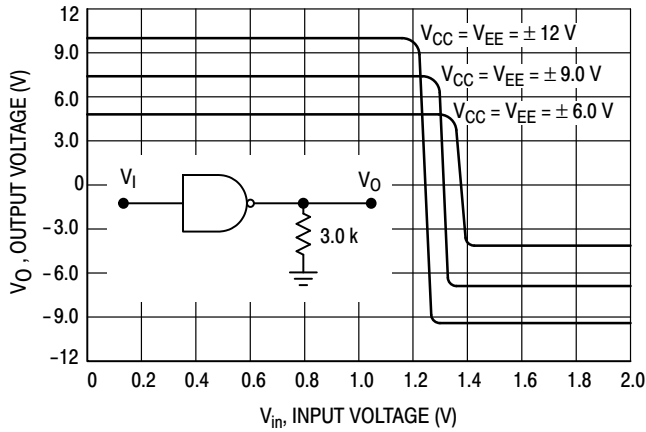


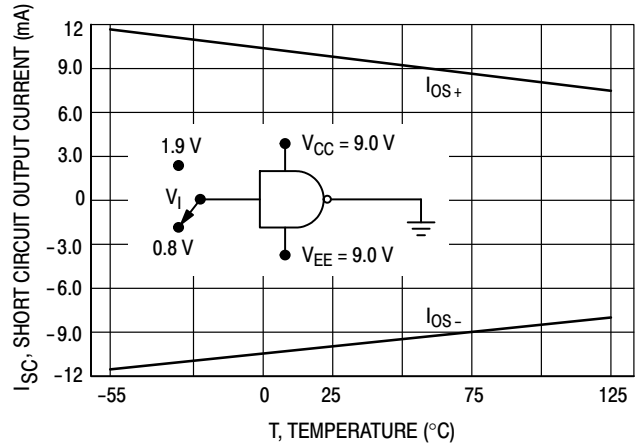
Figure 8. Switching Response

# MC1488

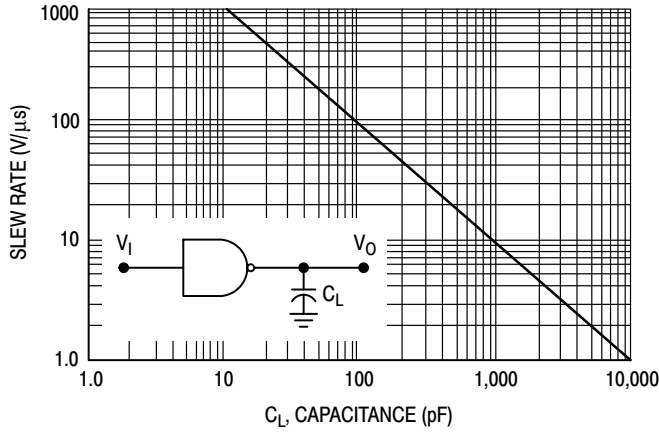
## TYPICAL CHARACTERISTICS ( $T_A = +25^\circ\text{C}$ , unless otherwise noted.)



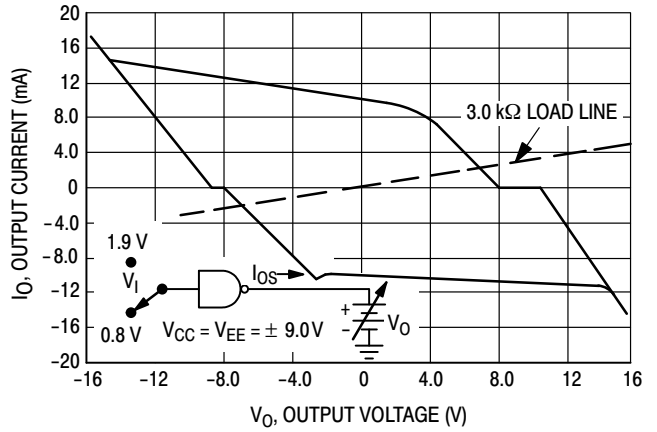
**Figure 9. Transfer Characteristics versus Power Supply Voltage**



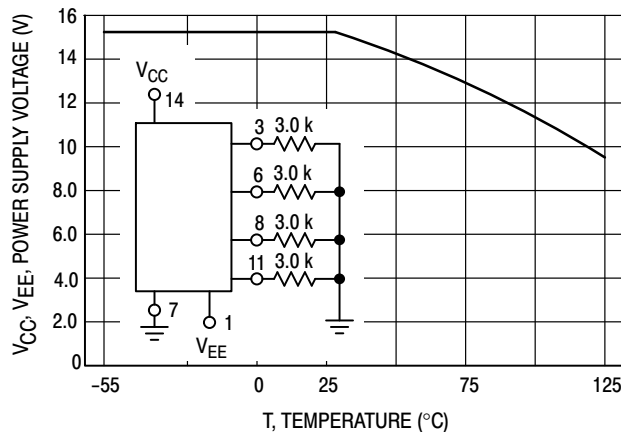
**Figure 10. Short Circuit Output Current versus Temperature**



**Figure 11. Output Slew Rate versus Load Capacitance**



**Figure 12. Output Voltage and Current-Limiting Characteristics**



**Figure 13. Maximum Operating Temperature versus Power Supply Voltage**

APPLICATIONS INFORMATION

The Electronic Industries Association EIA-232D specification details the requirements for the interface between data processing equipment and data communications equipment. This standard specifies not only the number and type of interface leads, but also the voltage levels to be used. The MC1488 quad driver and its companion circuit, the MC1489 quad receiver, provide a complete interface system between DTL or TTL logic levels and the EIA-232D defined levels. The EIA-232D requirements as applied to drivers are discussed herein.

The required driver voltages are defined as between 5.0 and 15 V in magnitude and are positive for a Logic "0" and negative for a Logic "1." These voltages are so defined when the drivers are terminated with a 3000 to 7000 Ω resistor. The MC1488 meets this voltage requirement by converting a DTL/TTL logic level into EIA-232D levels with one stage of inversion.

The EIA-232D specification further requires that during transitions, the driver output slew rate must not exceed 30 V per microsecond. The inherent slew rate of the MC1488 is much too fast for this requirement. The current limited output of the device can be used to control this slew rate by connecting a capacitor to each driver output. The required capacitor can be easily determined by using the relationship  $C = I_{OS} \times \Delta T / \Delta V$  from which Figure 14 is derived. Accordingly, a 330 pF capacitor on each output will guarantee a worst case slew rate of 30 V per microsecond.

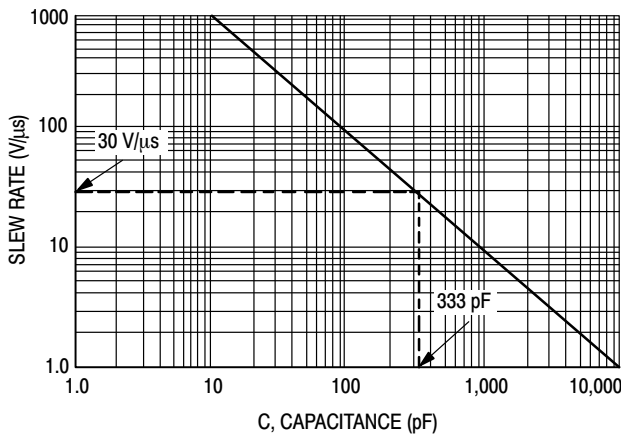


Figure 14. Slew Rate versus Capacitance for  $I_{SC} = 10 \text{ mA}$

The interface driver is also required to withstand an accidental short to any other conductor in an interconnecting cable. The worst possible signal on any conductor would be another driver using a plus or minus 15 V, 500 mA source. The MC1488 is designed to indefinitely withstand such a short to all four outputs in a package as long as the power supply voltages are greater than 9.0 V (i.e.,  $V_{CC} \geq 9.0 \text{ V}$ ;  $V_{EE} \leq -9.0 \text{ V}$ ). In some

power supply designs, a loss of system power causes a low impedance on the power supply outputs. When this occurs, a low impedance to ground would exist at the power inputs to the MC1488 effectively shorting the 300 Ω output resistors to ground. If all four outputs were then shorted to plus or minus 15 V, the power dissipation in these resistors would be excessive. Therefore, if the system is designed to permit low impedances to ground at the power supplies of the drivers, a diode should be placed in each power supply lead to prevent overheating in this fault condition. These two diodes, as shown in Figure 15, could be used to decouple all the driver packages in a system. (These same diodes will allow the MC1488 to withstand momentary shorts to the ±25 V limits specified in the earlier Standard EIA-232B.) The addition of the diodes also permits the MC1488 to withstand faults with power supplies of less than the 9.0 V stated above.

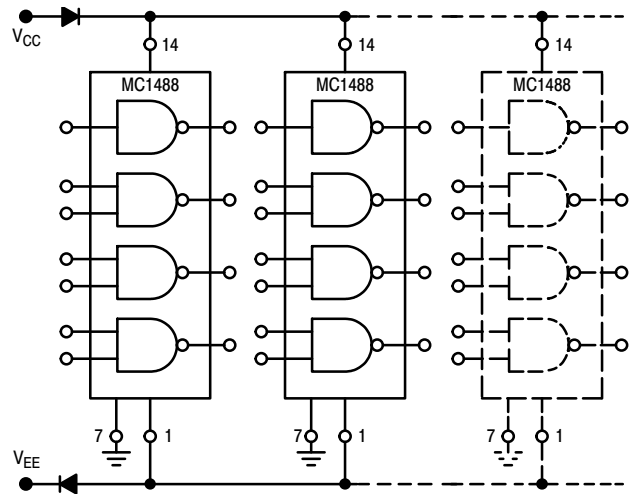


Figure 15. Power Supply Protection to Meet Power Off Fault Conditions

The maximum short circuit current allowable under fault conditions is more than guaranteed by the previously mentioned 10 mA output current limiting.

Other Applications

The MC1488 is an extremely versatile line driver with a myriad of possible applications. Several features of the drivers enhance this versatility:

1. Output Current Limiting – this enables the circuit designer to define the output voltage levels independent of power supplies and can be accomplished by diode clamping of the output pins. Figure 16 shows the MC1488 used as a DTL to MOS translator where the high level voltage output is clamped one diode above ground. The resistor divider shown is used to reduce the output voltage below the 300 mV above ground MOS input level limit.

## MC1488

2. Power Supply Range – as can be seen from the schematic drawing of the drivers, the positive and negative driving elements of the device are essentially independent and do not require matching power supplies. In fact, the positive supply can vary from a minimum 7.0 V (required for driving the negative pull-down section) to the maximum specified 15 V. The negative supply can vary from approximately -2.5 V to the minimum specified -15 V. The

MC1488 will drive the output to within 2.0 V of the positive or negative supplies as long as the current output limits are not exceeded. The combination of the current limiting and supply voltage features allow a wide combination of possible outputs within the same quad package. Thus if only a portion of the four drivers are used for driving EIA-232D lines, the remainder could be used for DTL to MOS or even DTL to DTL translation. Figure 17 shows one such combination.

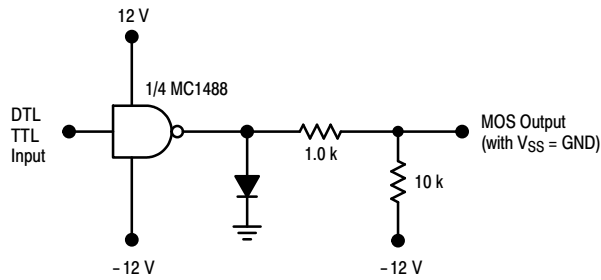


Figure 16. DTL/TTL-to-MOS Translator

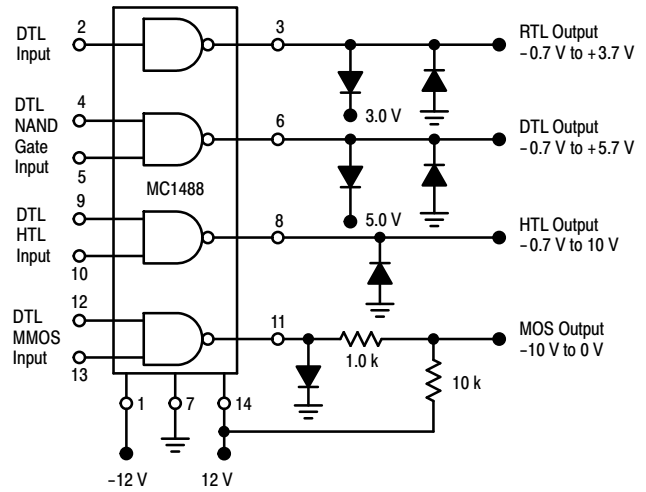


Figure 17. Logic Translator Applications



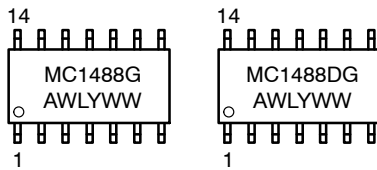
# MC1488

## ORDERING INFORMATION

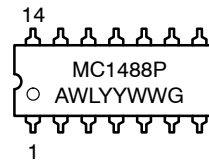
Device	Package	Operating Temperature Range	Shipping
MC1488D	SOIC-14	$T_A = 0 \text{ to } +75^\circ\text{C}$	55 Units/Rail
MC1488DG	SOIC-14 (Pb-Free)		
MC1488DR2	SOIC-14		2500/Tape & Reel
MC1488DR2G	SOIC-14 (Pb-Free)		
MC1488P	PDIP-14		25 Units/Rail
MC1488PG	PDIP-14 (Pb-Free)		
MC1488M	SOEIAJ-14		50 Units/Rail
MC1488MG	SOEIAJ-14 (Pb-Free)		
MC1488MEL	SOEIAJ-14		2000/Tape & Reel
MC1488MELG	SOEIAJ-14 (Pb-Free)		

## MARKING DIAGRAMS

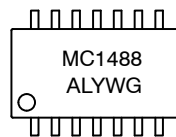
**SOIC-14  
D SUFFIX  
CASE 751A**



**PDIP-14  
P SUFFIX  
CASE 646**



**SOEIAJ-14  
M SUFFIX  
CASE 965**

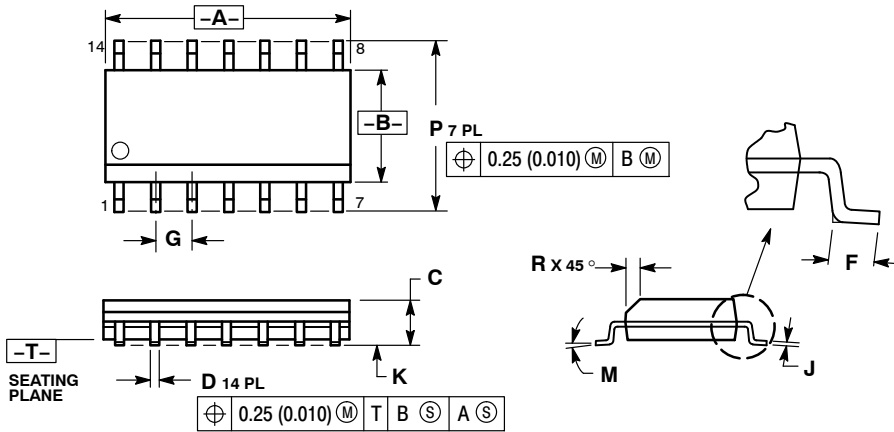


A = Assembly Location  
 WL, L = Wafer Lot  
 YY, Y = Year  
 WW, W = Work Week  
 G = Pb-Free Package

# MC1488

## PACKAGE DIMENSIONS

SOIC-14  
CASE 751A-03  
ISSUE H

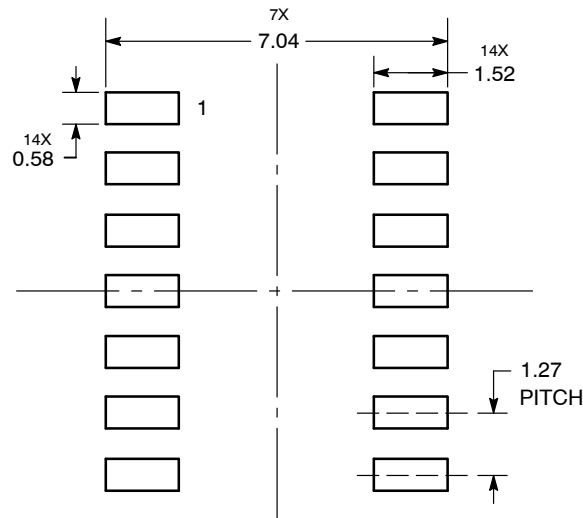


NOTES:

1. DIMENSIONING AND TOLERANCING PER ANSI Y14.5M, 1982.
2. CONTROLLING DIMENSION: MILLIMETER.
3. DIMENSIONS A AND B DO NOT INCLUDE MOLD PROTRUSION.
4. MAXIMUM MOLD PROTRUSION 0.15 (0.006) PER SIDE.
5. DIMENSION D DOES NOT INCLUDE DAMBAR PROTRUSION. ALLOWABLE DAMBAR PROTRUSION SHALL BE 0.127 (0.005) TOTAL IN EXCESS OF THE D DIMENSION AT MAXIMUM MATERIAL CONDITION.

DIM	MILLIMETERS		INCHES	
	MIN	MAX	MIN	MAX
A	8.55	8.75	0.337	0.344
B	3.80	4.00	0.150	0.157
C	1.35	1.75	0.054	0.068
D	0.35	0.49	0.014	0.019
F	0.40	1.25	0.016	0.049
G	1.27 BSC		0.050 BSC	
J	0.19	0.25	0.008	0.009
K	0.10	0.25	0.004	0.009
M	0°	7°	0°	7°
P	5.80	6.20	0.228	0.244
R	0.25	0.50	0.010	0.019

### SOLDERING FOOTPRINT\*



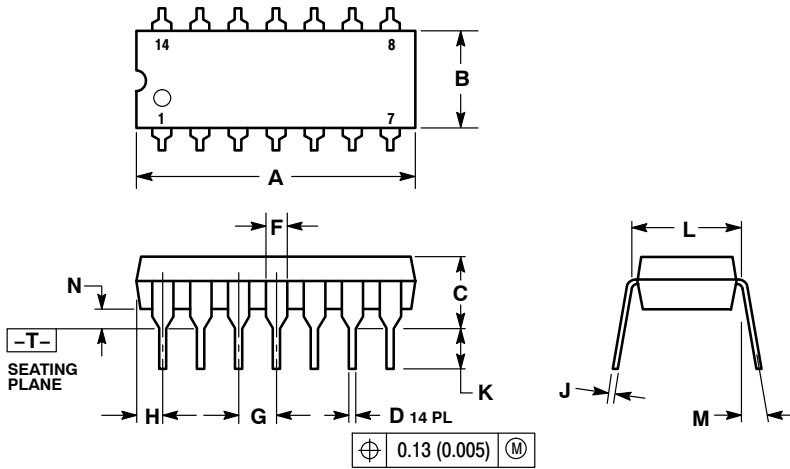
DIMENSIONS: MILLIMETERS

\*For additional information on our Pb-Free strategy and soldering details, please download the ON Semiconductor Soldering and Mounting Techniques Reference Manual, SOLDERRM/D.

# MC1488

## PACKAGE DIMENSIONS

**PDIP-14**  
CASE 646-06  
ISSUE P



**NOTES:**

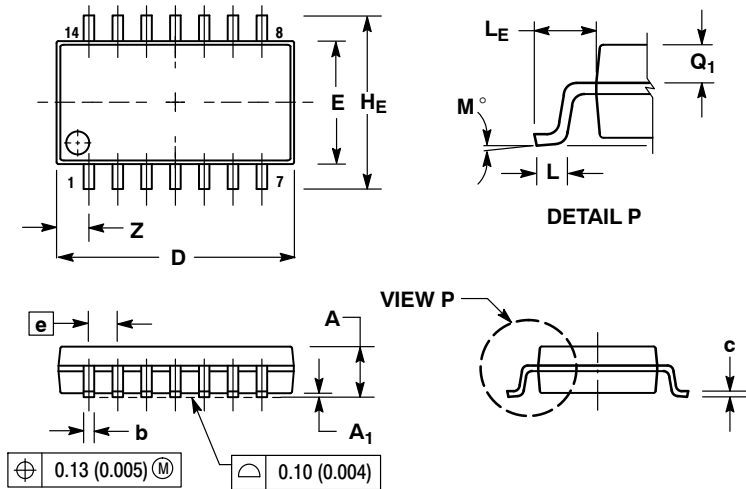
1. DIMENSIONING AND TOLERANCING PER ANSI Y14.5M, 1982.
2. CONTROLLING DIMENSION: INCH.
3. DIMENSION L TO CENTER OF LEADS WHEN FORMED PARALLEL.
4. DIMENSION B DOES NOT INCLUDE MOLD FLASH.
5. ROUNDED CORNERS OPTIONAL.

DIM	INCHES		MILLIMETERS	
	MIN	MAX	MIN	MAX
A	0.715	0.770	18.16	19.56
B	0.240	0.260	6.10	6.60
C	0.145	0.185	3.69	4.69
D	0.015	0.021	0.38	0.53
F	0.040	0.070	1.02	1.78
G	0.100 BSC		2.54 BSC	
H	0.052	0.095	1.32	2.41
J	0.008	0.015	0.20	0.38
K	0.115	0.135	2.92	3.43
L	0.290	0.310	7.37	7.87
M	---	10°	---	10°
N	0.015	0.039	0.38	1.01

# MC1488

## PACKAGE DIMENSIONS

SOEIAJ-14  
CASE 965-01  
ISSUE A



### NOTES:

1. DIMENSIONING AND TOLERANCING PER ANSI Y14.5M, 1982.
2. CONTROLLING DIMENSION: MILLIMETER.
3. DIMENSIONS D AND E DO NOT INCLUDE MOLD FLASH OR PROTRUSIONS AND ARE MEASURED AT THE PARTING LINE. MOLD FLASH OR PROTRUSIONS SHALL NOT EXCEED 0.15 (0.006) PER SIDE.
4. TERMINAL NUMBERS ARE SHOWN FOR REFERENCE ONLY.
5. THE LEAD WIDTH DIMENSION (b) DOES NOT INCLUDE DAMBAR PROTRUSION. ALLOWABLE DAMBAR PROTRUSION SHALL BE 0.08 (0.003) TOTAL IN EXCESS OF THE LEAD WIDTH DIMENSION AT MAXIMUM MATERIAL CONDITION. DAMBAR CANNOT BE LOCATED ON THE LOWER RADIUS OR THE FOOT. MINIMUM SPACE BETWEEN PROTRUSIONS AND ADJACENT LEAD TO BE 0.46 (0.018).

DIM	MILLIMETERS		INCHES	
	MIN	MAX	MIN	MAX
A	---	2.05	---	0.081
A <sub>1</sub>	0.05	0.20	0.002	0.008
b	0.35	0.50	0.014	0.020
c	0.10	0.20	0.004	0.008
D	9.90	10.50	0.390	0.413
E	5.10	5.45	0.201	0.215
e	1.27 BSC		0.050 BSC	
H <sub>E</sub>	7.40	8.20	0.291	0.323
0.50	0.50	0.85	0.020	0.033
L <sub>E</sub>	1.10	1.50	0.043	0.059
M	0°	10°	0°	10°
Q <sub>1</sub>	0.70	0.90	0.028	0.035
Z	---	1.42	---	0.056

ON Semiconductor and are registered trademarks of Semiconductor Components Industries, LLC (SCILLC). SCILLC reserves the right to make changes without further notice to any products herein. SCILLC makes no warranty, representation or guarantee regarding the suitability of its products for any particular purpose, nor does SCILLC assume any liability arising out of the application or use of any product or circuit, and specifically disclaims any and all liability, including without limitation special, consequential or incidental damages. "Typical" parameters which may be provided in SCILLC data sheets and/or specifications can and do vary in different applications and actual performance may vary over time. All operating parameters, including "Typicals" must be validated for each customer application by customer's technical experts. SCILLC does not convey any license under its patent rights nor the rights of others. SCILLC products are not designed, intended, or authorized for use as components in systems intended for surgical implant into the body, or other applications intended to support or sustain life, or for any other application in which the failure of the SCILLC product could create a situation where personal injury or death may occur. Should Buyer purchase or use SCILLC products for any such unintended or unauthorized application, Buyer shall indemnify and hold SCILLC and its officers, employees, subsidiaries, affiliates, and distributors harmless against all claims, costs, damages, and expenses, and reasonable attorney fees arising out of, directly or indirectly, any claim of personal injury or death associated with such unintended or unauthorized use, even if such claim alleges that SCILLC was negligent regarding the design or manufacture of the part. SCILLC is an Equal Opportunity/Affirmative Action Employer. This literature is subject to all applicable copyright laws and is not for resale in any manner.

### PUBLICATION ORDERING INFORMATION

**LITERATURE FULFILLMENT:**  
Literature Distribution Center for ON Semiconductor  
P.O. Box 5163, Denver, Colorado 80217 USA  
**Phone:** 303-675-2175 or 800-344-3860 Toll Free USA/Canada  
**Fax:** 303-675-2176 or 800-344-3867 Toll Free USA/Canada  
**Email:** orderlit@onsemi.com

**N. American Technical Support:** 800-282-9855 Toll Free  
USA/Canada  
**Europe, Middle East and Africa Technical Support:**  
Phone: 421 33 790 2910  
**Japan Customer Focus Center**  
Phone: 81-3-5773-3850

**ON Semiconductor Website:** [www.onsemi.com](http://www.onsemi.com)  
**Order Literature:** <http://www.onsemi.com/orderlit>  
For additional information, please contact your local Sales Representative