



Chipsmall Limited consists of a professional team with an average of over 10 year of expertise in the distribution of electronic components. Based in Hongkong, we have already established firm and mutual-benefit business relationships with customers from,Europe,America and south Asia,supplying obsolete and hard-to-find components to meet their specific needs.

With the principle of “Quality Parts,Customers Priority,Honest Operation,and Considerate Service”,our business mainly focus on the distribution of electronic components. Line cards we deal with include Microchip,ALPS,ROHM,Xilinx,Pulse,ON,Everlight and Freescale. Main products comprise IC,Modules,Potentiometer,IC Socket,Relay,Connector.Our parts cover such applications as commercial,industrial, and automotives areas.

We are looking forward to setting up business relationship with you and hope to provide you with the best service and solution. Let us make a better world for our industry!



## Contact us

Tel: +86-755-8981 8866 Fax: +86-755-8427 6832

Email & Skype: info@chipsmall.com Web: www.chipsmall.com

Address: A1208, Overseas Decoration Building, #122 Zhenhua RD., Futian, Shenzhen, China



# Enhanced Ethernet Transceiver

**NOT RECOMMENDED FOR NEW DESIGNS**

**MC68160A**

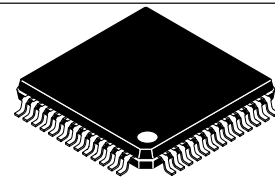
The MC68160A Enhanced Ethernet Interface Circuit is a BiCMOS device which supports both IEEE 802.3 Access Unit Interface (AUI) and 10BASE-T Twisted Pair (TP) Interface media connections through external isolation transformers. It encodes NRZ data to Manchester data and supplies the signals which are required for data communication via 10BASE-T or AUI interfaces. The MC68160A gluelessly interface to the Ethernet controller contained in the MC68360 Quad Integrated Communications Controller (QUICC) device. The MC68160A also interfaces easily to most other industry-standard IEEE 802.3 LAN controllers. Prior to twisted pair data reception, Smart Squelch circuitry qualifies input signals for correct amplitude, pulse width, and sequence requirements.

- Automatic Twisted Pair Wiring Polarity Fault Detection and Correction Option
- Automatic Port Selection Option with Status Output
- Driver Pre-emphasis for Twisted Pair Output Data
- Crystal Controlled Clock Oscillator or External Clock Generator Option
- Digital Phase-Locked-Loop (DPLL) Timing Recovery and Data Decoding
- Standby Mode with Reduced Power Consumption
- Twisted Pair Signal Quality Error (Heartbeat) Test Option
- Diagnostic Local Loop Back Option
- Transmit, Receive and Collision Detection Status Output
- Full-Duplex Operation Option on Twisted Pair Port
- Twisted Pair Jabber Detection and Status Output
- Link Integrity Testing and Status Output

*The sale and use of this product is licensed under technology covered by one or more Digital Equipment Corporation patents.*

## ENHANCED ETHERNET INTERFACE TRANSCEIVER

**SEMICONDUCTOR  
TECHNICAL DATA**



**FB SUFFIX**  
PLASTIC PACKAGE  
CASE 848D  
(LQFP-52)

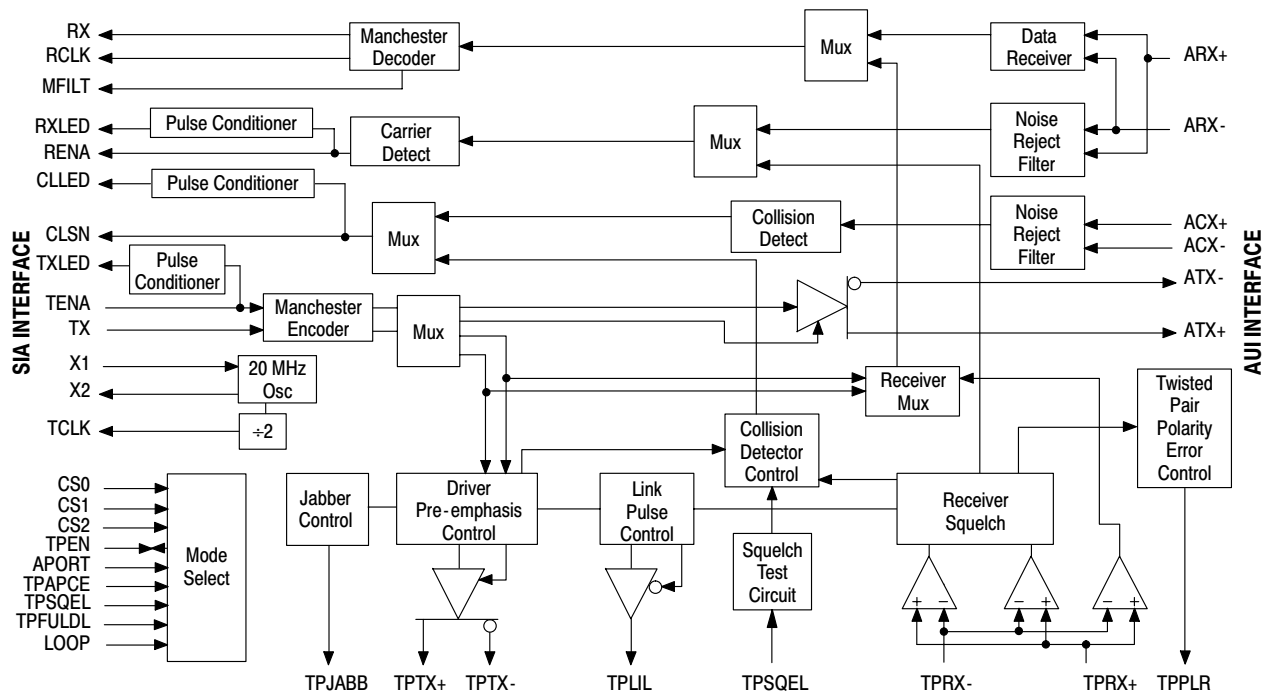
**EB SUFFIX**  
PLASTIC PACKAGE  
CASE 848D  
(LQFP-52, Pb-Free Package)

**ORDERING INFORMATION**

MC68160AFB      T<sub>A</sub> = 0° to + 70°C      LQFP

| Device | Operating Temperature Range | Package |
|--------|-----------------------------|---------|
|        |                             |         |

Figure 1. 10Base-T Interface Block Diagram



This device contains 20,000 active transistors.

## Enhanced Ethernet Serial Transceiver

|   |    |
|---|----|
| <b>Table 1. Pin Descriptions</b> .....                                | 4  |
| Controller Interface Pins .....                                       | 4  |
| AUI Interface Pins .....  | 4  |
| Twisted Pair Interface Pins .....                                     | 4  |
| Oscillator and Frequency Multiplier Pins .....                        | 5  |
| Mode Select Pins .....  | 5  |
| Status Indicator Pins .....   | 6  |
| Power Supply and Ground Pins .....                                    | 6  |
| <b>Table 2. Controller Interface Selection</b> .....                  | 7  |
| <b>Table 3. Controller Independent Mode Selection</b> .....           | 7  |
| <b>Electrical Characteristics</b> .....                               | 8  |
| Maximum Ratings .....   | 8  |
| Recommended Operating Conditions .....                                | 8  |
| ESD .....   | 8  |
| <b>DC Characteristics</b> .....                                       | 8  |
| Power Supply DC Characteristics .....                                 | 8  |
| TTL/CMOS Input and Output DC Characteristics .....                    | 9  |
| Twisted Pair Input and Output DC Characteristics .....                | 9  |
| AUI Input and Output DC Characteristics .....                         | 10 |
| <b>AC Characteristics</b> .....                                       | 12 |
| External Clock Input (X1) Switching Characteristics .....             | 12 |
| Receive Phase Locked Loop Switching Characteristics .....             | 12 |
| Controller Transmit Switching Characteristics (Motorola Mode) .....   | 12 |
| Controller Receive Switching Characteristics (Motorola Mode) .....    | 12 |
| Controller Transmit Switching Characteristics (Intel Mode) .....      | 14 |
| Controller Receive Switching Characteristics (Intel Mode) .....       | 14 |
| Controller Transmit Switching Characteristics (Fujitsu Mode) .....    | 15 |
| Controller Receive Switching Characteristics (Fujitsu Mode) .....     | 15 |
| Controller Transmit Switching Characteristics (National Mode) .....   | 16 |
| Controller Receive Switching Characteristics (National Mode) .....    | 16 |
| TP Transmit Switching Characteristics .....                           | 18 |
| TP Transmit Jabber Switching Characteristics .....                    | 20 |
| TP Transmit Signal Quality Error Test Switching Characteristics ..... | 20 |
| TP Receive Switching Characteristics .....                            | 21 |
| TP Receive Link Integrity Switching Characteristics .....             | 21 |
| TP Collision Switching Characteristics .....                          | 23 |
| TP Full Duplex Switching Characteristics .....                        | 23 |
| AUI Transmit Switching Characteristics .....                          | 24 |
| AUI Receive Switching Characteristics .....                           | 24 |
| <b>Functional Description</b> .....                                   | 25 |
| Data Transmission .....   | 25 |
| Data Reception .....  | 26 |
| Collision .....   | 26 |
| Jabber .....  | 26 |
| Full Duplex .....   | 26 |
| Auto Port Selection .....   | 26 |
| Auto Polarity Selection .....   | 26 |
| Loop Back Mode .....  | 26 |
| <b>Applications</b> .....   | 27 |
| Selection of Crystal and External Components .....                    | 27 |
| PLL Filter Components .....   | 27 |
| 10BASE-T Filter and Transformer Choice .....                          | 27 |
| AUI Transformer Choice .....  | 27 |

Table 1. Pin Function Description

| Pin(s)                        | Symbol         | Type          | Name/Function  |
|-------------------------------|----------------|---------------|--|
| <b>CONTROLLER INTERFACE</b>   |                |               |  |
| 1                             | RENA           | O<br>TTL/CMO  | <b>Receive Enable Output:</b> Indication of the presence of network activity, synchronous to RCLK. In the standby mode, RENA is driven to the high impedance state.  |
| 2                             | RX             | O<br>TTL/CMOS | <b>Receive Data Output:</b> Recovered data, synchronous to RCLK. Following a reset operation, 100 ms should be allowed before attempting to read data processed by the MC68160A, B and C. This delay is needed to insure that the receive phase locked loop is properly synchronized with incoming data. In the standby mode, RX is driven to the high impedance state.  |
| 48                            | TCLK           | O<br>TTL/CMOS | <b>Transmit Clock Output CMOS/TTL Output:</b> TCLK provides a symmetrical clock signal at 10 MHz for reference timing of data to be encoded. In the standby mode, TCLK is driven to the high impedance state.  |
| 49                            | TENA           | I<br>TTL      | <b>Transmit Enable Input:</b> Input signal synchronous to TCLK which enables data transmission on the active port. An internal pull-down resistor is provided so that the input is low under no connect conditions. (This resistor is removed in the standby mode). If TENA is asserted at the conclusion of a reset operation, it must first be deasserted and then reasserted before data transmission can occur. In the standby mode, TENA is driven to the high impedance state.   |
| 50                            | RCLK           | O<br>TTL/CMOS | <b>Receive Clock Output:</b> Recovered clock. In the standby mode, RCLK is driven to the high impedance state.   |
| 51                            | CLSN           | O<br>TTL/CMOS | <b>Collision Output:</b> In the AUI mode, indicates the presence of signals at the ACX+ and ACX- terminals which meet threshold and pulse width requirements. In the TP mode, indicates simultaneous transmit and receive activity, a heartbeat (SQE Test) signal was generated, or the jabber timer has expired. In the standby mode, CLSN is driven to the high impedance state.   |
| 52                            | TX             | I<br>TTL      | <b>Transmit Data Input:</b> Input signal synchronous to TCLK which provides NRZ serial data to be Manchester encoded. In the standby mode, TX is driven to the high impedance state.   |
| <b>AUI INTERFACE</b>          |                |               |  |
| 21<br>22                      | ACX-<br>ACX+   | I             | <b>AUI Differential Collision Inputs:</b> These inputs are connected to a pair of internally biased line receivers consisting of a carrier detect receiver with offset threshold and noise filtering to detect the line activity. Signals at ACX+/- have no effect on data path functions.   |
| 23<br>24                      | ARX-<br>ARX+   | I             | <b>AUI Differential Receiver Inputs:</b> These inputs are connected to a pair of internally biased line receivers consisting of a carrier detect receiver with offset threshold and noise filtering to detect the line activity, and a data receiver with no offset for Manchester Data reception.   |
| 25<br>26                      | ATX-<br>ATX+   | O             | <b>AUI Differential Transmit Outputs :</b> This line pair is intended to operate into terminated transmission lines. For TX signals meeting setup and hold time to TCLK when TENA is previously asserted, Manchester encoded data is outputted at ATX+/- . When operating into a 78 $\Omega$ terminated transmission line, signaling meets the required output levels and skew for IEEE-802.3 drop cables. When the 10BASE-T port is automatically or manually selected, the AUI outputs are driven to a low power standby state in which the outputs deliver a balanced high state voltage. |
| <b>TWISTED PAIR INTERFACE</b> |                |               |  |
| 31<br>32                      | TPRX-<br>TPRX+ | I             | <b>Twisted Pair Differential Receiver Inputs:</b> These inputs are connected to a receiver with Smart Squelch capability which only allows differential receive data to pass as long as the input amplitude is greater than a minimum signal threshold level and a specific pulse sequence is received. This assures a good signal to noise ratio while the signal pair is active by preventing crosstalk and impulse noise conditions from activating the receive function.   |
| 36<br>37                      | TPTX-<br>TPTX+ | O             | <b>Twisted Pair Differential Transmitter Outputs:</b> These lines have pre-distortion drive capability and are intended to drive terminated twisted pair transmission lines. When the AUI port is manually selected, the 10BASE-T outputs are driven to a low power standby state in which the outputs deliver a balanced high state voltage. However, when the AUI port is automatically selected, the 10BASE-T outputs remain active.  |

**NOTE:** The sense of the controller interface pins will change, depending on the controller selected.

Table 1. Pin Function Description (continued)

| Pin(s)                                     | Symbol            | Type                     | Name/Function  |
|--|-------------------|--------------------------|--|
| <b>OSCILLATOR AND FREQUENCY MULTIPLIER</b> |                   |                          |  |
| 12   | MFILT             | C                        | <b>Frequency Multiplier Filter Connection Point:</b> An external resistor capacitor filter must be attached to this pin.   |
| 16   | X1                | I/C<br>CMOS              | <b>Oscillator Inverter Input and Crystal Connection Point:</b> When connected for crystal oscillator operation, the frequency of the clock which appears at TCLK is half that of the crystal oscillator. As an option, instead of connecting to a crystal, X1 may be driven from an external 20 MHz CMOS compatible clock generator.   |
| 17   | X2                | O/C<br>CMOS              | <b>Oscillator Inverter Output and Crystal Connection Point:</b> This pin is used only for the connection of an external crystal and capacitor. It must be left unconnected if X1 is driven by an external CMOS Clock generator.  |
| <b>MODE SELECT</b>                         |                   |                          |  |
| 3<br>4<br>5                                | CS0<br>CS1<br>CS2 | I<br>TTL                 | <b>Mode Select:</b> The logic states applied to these pins select the appropriate interface for the desired IEEE -802.3 controller or enable the standby mode. When the standby mode is selected, the MC68160A power supply current is greatly reduced. Additionally, in the standby mode, all of the controller inputs and outputs are driven to the high impedance state.  |
| 6  | LOOP              | I<br>TTL                 | <b>Diagnostic Loopback:</b> Asserting this function causes serial NRZ data at the TX input to be Manchester encoded and then looped back through the Manchester decoder, appearing at the RX output. This diagnostic loopback function operates independent of Twisted Pair (TP) or Access Unit Interface (AUI) port connectivity or activity. Neither the TP port nor the AUI port transmits data from the controller while diagnostic loopback is selected. Likewise, the controller interface receives data neither from the TP nor the AUI receivers while in this mode. The polarity fault detection and link integrity functions are not inhibited by the diagnostic loopback mode. If otherwise enabled, they continue to function. If the twisted pair port is selected, and TPSQEL is driven to the low logic state, a collision detect pulse is delivered following each transmission to simulate the twisted pair SQE test. |
| 9  | APORT             | I<br>TTL                 | <b>Automatic Port Selection Enable:</b> When high, MC68160A will automatically select the TP or AUI port based on the presence or absence of valid link beats or frames at the TP receive input. If the AUI port is automatically selected, the MC68160A will continue to produce link pulses for the TP port. Changing ports requires approximately 1.0 ms to allow the circuitry for the new port to resume normal operation. The power consumption is minimized in the circuitry associated with the unselected port.   |
| 27   | TPSQEL            | I<br>TTL                 | <b>Twisted Pair Signal Quality Error Test Enable:</b> Forcing this pin low enables testing of the internal TP collision detect circuitry after each transmit operation to the TP media. This function provides a simulated collision to as much of the MC68160A collision detect circuitry as possible without affecting the attached twisted pair channel. A normal SQE test results in a high logic state at the CLSN controller interface pin which begins 6 to 16-bit times after the last transition of a transmitted signal and continues for 5 to 15-bit times. (When the AUI port is selected, SQE test signals are generated by the coaxial cable transceiver and delivered to the controller via the MC68160A ACX+/- receive inputs)   |
| 28   | TPFULDL           | I<br>TTL                 | <b>Twisted Pair Full Duplex Mode Select:</b> Forcing this pin low allows simultaneous transmit and receive operation on the twisted pair port without an indicated collision. This pin is not to be asserted with LOOP as a test mode is enabled that disrupts normal operation.   |
| 29   | TPAPCE            | I<br>TTL                 | <b>Twisted Pair Automatic Polarity Correction Enable:</b> When TPAPCE is high, automatic polarity correction is enabled, and MC68160A will internally correct for a polarity fault on the receive circuit. Additionally, when TPAPCE is high, the presence of a polarity fault is indicated on TPPLR.  |
| 46   | TPEN              | I/O<br>TTL<br>(TTL/CMOS) | <b>Twisted Pair Port Enable:</b> If APORT is low, TPEN is an input which determines whether the AUI port (TPEN low) or TP port (TPEN high) will be manually selected. If the AUI port is manually selected, the MC68160A will not produce link pulses for the TP port.<br><br>If APORT is high, TPEN is an output which will indicate which port has been automatically selected by driving TPEN low (for AUI) or high (for TP). In its output mode TPEN can sink 10 mA in the low output state and source 10 mA in the high output state. (See Pin 9 Description.)<br><br>Changing ports requires approximately 1.0 ms to allow the circuitry for the new port to resume normal operation. The power consumption is minimized in the circuitry associated with the unselected port. In the standby mode, this pin is driven to the high impedance state.  |

Table 1. Pin Function Description (continued)

| Pin(s)                  | Symbol | Type          | Name/Function  |
|-------------------------|--------|---------------|--|
| <b>STATUS INDICATOR</b> |        |               |  |
| 40                      | TXLED  | O<br>TTL/CMOS | <b>Transmit Status LED Driver Output:</b> This pin indicates the transmit status of the currently selected TP or AUI port. When there is no transmit activity detected, an internal pull-up takes this pin to its normal off (high) state. When transmit activity is detected, the LED driver turns on. In its on state, TXLED flashes the LED by driving low at approximately 10 Hz at a 50% duty cycle. In the standby mode, this output is driven to the high impedance state.  |
| 41                      | RXLED  | O<br>TTL/CMOS | <b>Receive Status LED Driver Output:</b> This pin indicates the receive status of the currently selected TP or AUI port. When there is no receive activity detected, an internal pull-up takes this pin to its normal off (high) state. When receive activity is detected, the LED driver turns on. In its on state, RXLED flashes the LED by driving low at approximately 10 Hz at a 50% duty cycle. In the standby mode, this output is driven to the high impedance state.  |
| 42                      | CLLED  | O<br>TTL/CMOS | <b>Collision Status LED Driver Output:</b> This pin indicates the collision status of the currently selected TP or AUI port. When there is no collision activity detected, an internal pull-up takes this pin to its normal off (high) state. When collision activity is detected, the LED driver turns on. In its on state, CLLED flashes the LED by driving low at approximately 10 Hz at a 50% duty cycle. In the standby mode, this output is driven to the high impedance state.  |
| 43                      | TPLIL  | O<br>TTL/CMOS | <b>Twisted Pair Link Integrity Output:</b> This output is driven to the low output state to indicate good link integrity on the TP port during TP mode. It is deasserted (high) when link integrity fails in TP mode. The TPLIL output is driven to the high impedance state when the AUI port is selected. In the standby mode, this output is also driven to the high impedance state.   |
| 44                      | TPPLR  | O<br>TTL/CMOS | <b>Twisted Pair Polarity Error Output:</b> If TPAPCE is high and the wires connected to the Twisted Pair Receiver Inputs (TPRX+, TPRX-) are reversed, TPPLR will be driven to the low logic state to indicate the fault. TPPLR remains low when the MC68160A, AB and AC has automatically corrected for the reversed wires. If the twisted pair link integrity tests fail, this output will be driven to the high logic state. When the AUI mode is selected this output is driven to the high impedance state. In the standby mode, this output is also driven to the high impedance state. |
| 45                      | TPJABB | O<br>TTL/CMOS | <b>Twisted Pair Jabber Output:</b> This pin is driven high to indicate a jabber condition at the TPTX+/- outputs. (Jabber condition also causes CLLED to be driven alternately to the high and low output levels). TPJABB is driven to the low output state when no jabber condition is present. When the AUI mode is selected this output is driven to the high impedance state. In the standby mode, this output is also driven to the high impedance state.   |

**POWER SUPPLY AND GROUND**

|                      |                                      |  |   |
|----------------------|--------------------------------------|--|---|
| 10                   | VDDDIV                               |  | <b>Frequency Divider Supply Pin</b>                         |
| 11<br>13             | VDDFM<br>GNDFM                       |  | <b>Frequency Multiplier Supply and Ground Pins</b>          |
| 14<br>15             | GNDVCO<br>VDDVCO                     |  | <b>Voltage Controlled Oscillator Ground and Supply Pins</b> |
| 20                   | GNDSUB                               |  | <b>Substrate Ground Pin</b>                                 |
| 7<br>8<br>18<br>19   | VDDDIG<br>GNDDIG<br>VDDDIG<br>GNDDIG |  | <b>Digital Supply and Ground Pins</b>                       |
| 30<br>33             | VDDANA<br>GNDANA                     |  | <b>Analog Supply and Ground Pins</b>                        |
| 34<br>35<br>38<br>39 | GNDPWR<br>VDDPWR<br>VDDPWR<br>GNDPWR |  | <b>Power Supply and Ground Pins</b>                         |
| 47                   | GNDCTL                               |  | <b>Controller Interface Ground Pin</b>                      |

**NOTE:** Power and ground pins are not connected internally. Failure to connect externally may cause malfunction or damage to the IC.

Table 2. Controller Interface Selection

| Motorola Transceiver MC68160A (EEST™) | Motorola Controller <sup>2</sup> MC68360 (QUICC™) |       | Intel <sup>4</sup> Controllers 82586, 82590, 82593, 82596 |       | Fujitsu <sup>4</sup> Controllers 86950 (Etherstar™) 86960 (NICE™) |       | National <sup>4</sup> Controllers 8390, 83C690, 83932B (SONIC™) |       |
|---------------------------------------|---|-------|---|-------|---|-------|---|-------|
| CS0                                   | 1   |       | 0   |       | 1   |       | 0   |       |
| CS1                                   | 1   |       | 1   |       | 0   |       | 0   |       |
| CS2                                   | 0   |       | 0   |       | 0   |       | 0   |       |
| Pin                                   | Pin   | Sense | Pin   | Sense | Pin   | Sense | Pin   | Sense |
| TCLK                                  | TCLK  | High  | $\overline{\text{TXC}}$                                   | Low   | TCKN  | Low   | TXC   | High  |
| TX                                    | TX  | High  | TXD   | High  | TXD   | High  | TXD   | High  |
| TENA                                  | TENA  | High  | $\overline{\text{RTS}}$                                   | Low   | TEN   | High  | TXE   | High  |
| RCLK                                  | RCLK  | High  | $\overline{\text{RXC}}$                                   | Low   | RCN   | Low   | RXC   | High  |
| RX                                    | RX  | High  | RXD   | High  | RXD   | High  | RXD   | High  |
| RENA                                  | RENA  | High  | $\overline{\text{CRS}}$                                   | Low   | XCD   | High  | CRS   | High  |
| CLSN                                  | CLSN  | High  | $\overline{\text{CDT}}$                                   | Low   | XCOL  | Low   | COL   | High  |
| LOOP <sup>1</sup>                     | N.A.  | High  | LPBK  | Low   | LBC   | High  | LPBK  | High  |

- NOTES:** 1. Although LOOP input is not ordinarily classified as a controller pin, it is included in this table because its sense varies according to the controller used.  
2. The Motorola controller interface contained in the MC68360 (QUICC™) is compatible with the AMD 7990 (LANCET™) and 79C900 (ILACC™) controllers.  
3. The pin sense is shown from the perspective of the identified controller pin.  
4. Supported only by MC68160A.

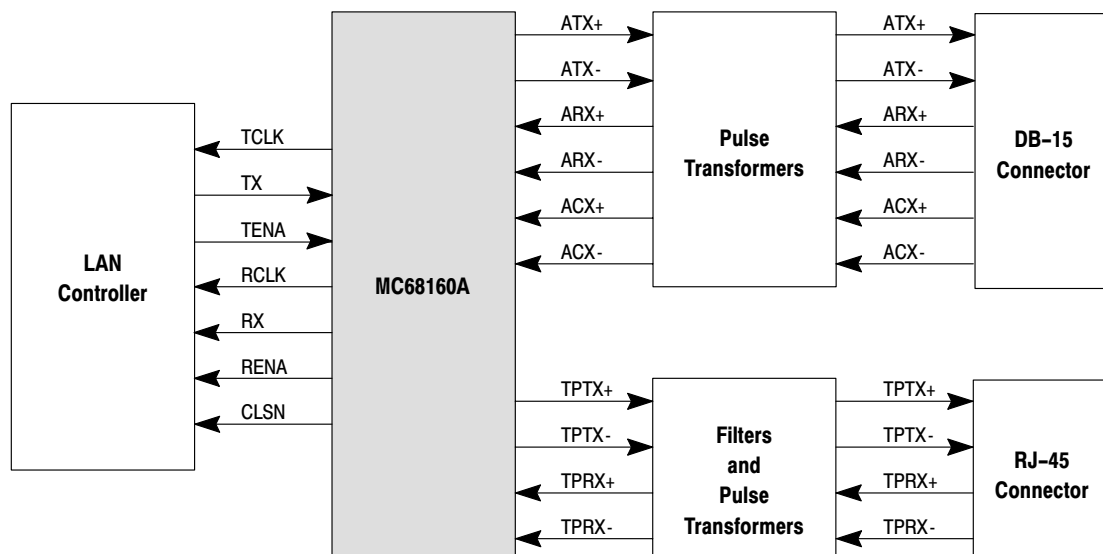
Table 3. Controller Independent Mode Selection

| Pin | Standby Mode | Reserved | Reserved | Reserved |
|-----|--------------|----------|----------|----------|
| CS0 | 1            | 0        | 1        | 0        |
| CS1 | 1            | 1        | 0        | 0        |
| CS2 | 1            | 1        | 1        | 1        |

**NOTE:** In standby mode, the MC68160A consumes less power supply current than in any other mode. Additionally, in the standby mode, all of the controller inputs and outputs are driven to the high impedance state. When the standby mode is deasserted, an internal reset pulse of approximately 6.0  $\mu\text{s}$  duration is generated.

Following a period of operation in the standby mode, the time required to insure stable data reception is approximately 100 ms.

Figure 2. Applications Block Diagram





## ELECTRICAL CHARACTERISTICS

## MAXIMUM RATINGS

| Characteristic   | Symbol     | Min   | Max            | Unit |
|--|------------|-------|----------------|------|
| Storage Temperature Range                                      | $T_{stg}$  | - 65  | 150            | °C   |
| Power Supply Voltage Range                                     |            |       |                |      |
| Analog   | $V_{DDA}$  | -     | 7.0            | V    |
| Digital  | $V_{DDD}$  | -     | 7.0            | V    |
| Voltage on any TTL compatible input pin with respect to Ground | V          | - 0.5 | $V_{DD} + 0.5$ | V    |
| Voltage on TPRX, ARX, or ACX input pins with respect to Ground |            | - 0.5 | 6.0            |      |
| Differential Voltage on TPRX, ARX, or ACX Input Pins           | $V_{DIFF}$ | - 6.0 | 6.0            | V    |

**NOTE:** Stresses in excess of the Absolute Maximum Ratings can cause permanent damage to the device. Functional operation of the device is not implied at these or any other conditions in excess of those indicated in the operation sections of this data sheet. Exposure to Absolute Maximum Ratings conditions for extended periods can adversely affect device reliability.

## RECOMMENDED OPERATING CONDITIONS

| Characteristic  | Symbol    | Min  | Max  | Unit |
|---|-----------|------|------|------|
| Power Supply Voltage Range                                    | $V_{DD}$  | 4.75 | 5.25 | V    |
| Power Supply Ripple (20 kHz to 100 kHz)                       | -         | -    | 50   | mV   |
| Power Supply Impulse Noise (Either Polarity)                  | -         | -    | 100  | mV   |
| Ambient Operating Temperature Range                           | $T_A$     | 0    | 70   | °C   |
| ARX/ACX Input Differential Rise and Fall Time (see Figure 39) | $t_{260}$ | 2.0  | 10   | ns   |
| ARX Pair Idle Time after Transmission (see Figure 39)         | $t_{265}$ | 8.0  | -    | μs   |

## ESD

Although protection circuitry has been designed into this device, proper precautions should be taken to avoid exposure to electrostatic discharge (ESD) during handling and mounting. Motorola employs a Human Body Model (HBM) and a Charged Device Model (CDM) for ESD-susceptibility testing and protection design evaluation. ESD has been adopted for the CDM, however, a standard HBM (resistance = 1500 Ω capacitance = 100 pF) is widely used and, therefore, can be used for comparison purposes. The HBM ESD threshold presented here was obtained by using the circuit parameters contained in this specification. ESD threshold voltage is designed to 700 V Human Body Model.

**DC ELECTRICAL CHARACTERISTICS** (Unless otherwise noted, minimum and maximum limits apply over the recommended ambient operating temperature and power supply voltage ranges.)

| Characteristic                  | Symbol   | Test Conditions   | Min    | Typ      | Max        | Unit |
|---------------------------------|----------|-------------------|--------|----------|------------|------|
| <b>POWER SUPPLY</b>             |          |                   |        |          |            |      |
| Undervoltage Shutdown Threshold | -        | -                 | -      | -        | 4.4        | V    |
| Power Supply Current            | $I_{DD}$ | -<br>Standby Mode | -<br>- | 145<br>- | 200<br>5.0 | mA   |

**DC ELECTRICAL CHARACTERISTICS** ( $T_A = 25^\circ\text{C}$ ,  $V_{CC} = 5.0\text{ V} \pm 5\%$ . Unless otherwise noted, minimum and maximum limits apply over the recommended ambient operating temperature and power supply voltage ranges for each MC68160A except where noted.)

| Characteristic | Symbol | Test Conditions | Min | Max | Unit |
|----------------|--------|-----------------|-----|-----|------|
|----------------|--------|-----------------|-----|-----|------|

**TTL COMPATIBLE INPUTS**

|   |  |                             |             |                                     |               |
|---|--|-----------------------------|-------------|-------------------------------------|---------------|
| TTL Compatible Input Voltage<br>Low State<br>High State   | $V_{IL}(\text{TTL})$<br>$V_{IH}(\text{TTL})$ | -                           | -<br>2.0    | 0.8<br>-                            | V             |
| Input Current TTL Compatible Input Pins (Note 1)<br>Input Current TENA TTL Compatible Input Pin:<br>with Pull-Down Resistor | $I_{IH}$<br>$I_{IL}$<br>$I_{IH} \& I_{IL}$   | $0\text{ V} < V_I < V_{DD}$ | -<br>-<br>- | $\pm 10$<br>+200<br>-20<br>$\pm 10$ | $\mu\text{A}$ |

**CMOS COMPATIBLE INPUTS**

|  |  |                             |          |           |               |
|--|--|-----------------------------|----------|-----------|---------------|
| CMOS Compatible Input Voltage<br>Low State<br>High State | $V_{IL}(\text{CMOS})$<br>$V_{IH}(\text{CMOS})$ | -                           | -<br>3.0 | 1.0<br>-  | V             |
| Input Current (Pin X1)                                   | $I_{IH} \& I_{IL}$                             | $0\text{ V} < V_I < V_{DD}$ | -        | $\pm 100$ | $\mu\text{A}$ |

**TTL/CMOS COMPATIBLE OUTPUTS**

|   |          |   |                   |              |               |
|---|----------|---|-------------------|--------------|---------------|
| TTL/CMOS Compatible Output Voltage<br>Low State (Note 2)<br>Low State (Note 3)                          | $V_{OL}$ | $I_{OL} = 4.0\text{ mA}$<br>$I_{OL} = 10\text{ mA}$                                   | -<br>-            | 0.45<br>0.45 | V             |
| TTL/CMOS Compatible Output Voltage<br>High State (Note 4)<br>High State (Note 5)<br>High State (Note 2) | $V_{OH}$ | $I_{OH} = -500\ \mu\text{A}$<br>$I_{OH} = -10\text{ mA}$<br>$I_{OH} = -4.0\text{ mA}$ | 3.9<br>3.9<br>2.4 | -<br>-<br>-  | V             |
| Three State Output Leakage Current  | $I_{OZ}$ | $0\text{ V} \leq V_{OZ} \leq V_{DD}$  | -                 | $\pm 10$     | $\mu\text{A}$ |

| Characteristic | Symbol | Test Conditions | Min | Max | Unit |
|----------------|--------|-----------------|-----|-----|------|
|----------------|--------|-----------------|-----|-----|------|

**TWISTED PAIR RECEIVER INPUTS**

|  |              |         |      |     |            |
|--|--------------|---------|------|-----|------------|
| Input Voltage Range (DC + AC)                | $V_{ITP}$    | -       | 1.5  | 4.3 | V          |
| Differential Input Squelch Threshold Voltage | $V_{ITPSQ}$  | Note 10 | 270  | 390 | mV         |
| Common Mode Bias Generator Voltage           | $V_{BCMTP}$  | Note 9  | 1.8  | 3.2 | V          |
| Common Mode Input Resistance                 | $R_{CMTP}$   | -       | 1000 | -   | $\Omega$   |
| Differential Input Resistance                | $R_{DIFFTP}$ | -       | 2.5  | -   | k $\Omega$ |

**TWISTED PAIR TRANSMITTER OUTPUTS**

|   |                              |                              |                         |                         |   |
|---|------------------------------|------------------------------|-------------------------|-------------------------|---|
| Differential Output Voltage<br>Pre-Emphasis Level<br>Signal Level | $V_{ODFTPP}$<br>$V_{ODFTPS}$ | Note 7                       | $\pm 2.2$<br>$\pm 1.56$ | $\pm 2.8$<br>$\pm 1.98$ | V |
| Common Mode Output Voltage Range                                  | $V_{OCMTP}$                  | Note 6                       | 0                       | 4.0                     | V |
| Common Mode Output Voltage in Standby Mode                        | $V_{OCMTPSB}$                | $I_{OH} = -100\ \mu\text{A}$ | $V_{DD} - 1.0$          | $V_{DD}$                | V |

- NOTES:**
1. APORT, TPAPCE, CS0, CS1, CS2, TX, LOOP, TPFULDL, TPSQEL and TPEN (In Input Mode).
  2. TCLK, RX, RCLK, RENA and CLSN.
  3. TPPLR, TPLIL, TPJABB, TXLED, RXLED, CLLED and TPEN (In Output Mode).
  4. TPPLR, TPLIL, CLLED, TXLED and RXLED.
  5. TPJABB and TPEN (In Output Mode).
  6. Measured with Test Load B1 (shown in Figure 3), applied directly to the TPTX+/- pins of the device.
  7. Measured differentially with Test Load B2 (shown in Figure 4), applied directly to the TPTX+/- pins of the device.
  8. Measured directly on the TPTX+/- pins of the device.
  9. Measured with Test Load B3 (shown in Figure 5), applied directly to the TPRX+/- pins of the device.
  10. The Common Mode Input Voltage is between 1.8 V and 3.2 V.

**DC ELECTRICAL CHARACTERISTICS (continued)** ( $T_A = 25^\circ\text{C}$ ,  $V_{CC} = 5.0\text{ V} \pm 5\%$ . Unless otherwise noted, minimum and maximum limits apply over the recommended ambient operating temperature and power supply voltage ranges for each MC68160A except where noted.)

| Characteristic  | Symbol                       | Test Conditions  | Min        | Max              | Unit     |
|---|------------------------------|------------------|------------|------------------|----------|
| <b>TWISTED PAIR TRANSMITTER OUTPUTS</b>                         |                              |                  |            |                  |          |
| Differential Output Voltage<br>IDLE Mode<br>Open Circuit        | $V_{ODFTPI}$<br>$V_{ODFTPO}$ | Note 6<br>Note 8 | -<br>-     | $\pm 50$<br>5.25 | mV<br>V  |
| Differential Output Impedance<br>TRANSMISSION Mode<br>IDLE Mode | $R_{ODFTPT}$<br>$R_{ODFTPI}$ | Note 8           | 12<br>8.0  | 28<br>29         | $\Omega$ |
| Common Mode Output Impedance<br>TRANSMISSION Mode<br>IDLE Mode  | $R_{OCMTPT}$<br>$R_{OCMTPI}$ | Note 8           | 3.0<br>1.0 | 7.0<br>10        | $\Omega$ |

- NOTES:**
1. APORT, TPAPCE, CS0, CS1, CS2, TX, LOOP, TPFULDL, TPSQEL and TPEN (In Input Mode).
  2. TCLK, RX, RCLK, RENA and CLSN.
  3. TPPLR, TPLIL, TPJABB, TXLED, RXLED, CLLED and TPEN (In Output Mode).
  4. TPPLR, TPLIL, CLLED, TXLED and RXLED.
  5. TPJABB and TPEN (In Output Mode).
  6. Measured with Test Load B1 (shown in Figure 3), applied directly to the TPTX+/- pins of the device.
  7. Measured differentially with Test Load B2 (shown in Figure 4), applied directly to the TPTX+/- pins of the device.
  8. Measured directly on the TPTX+/- pins of the device.
  9. Measured with Test Load B3 (shown in Figure 5), applied directly to the TPRX+/- pins of the device.
  10. The Common Mode Input Voltage is between 1.8 V and 3.2 V.

**DC ELECTRICAL CHARACTERISTICS** (Unless otherwise noted, minimum and maximum limits apply over the recommended ambient operating temperature and power supply voltage ranges.)

| Characteristic                                  | Symbol     | Test Conditions   | Min       | Max        | Unit       |
|---|------------|---|-----------|------------|------------|
| <b>AUI RECEIVER INPUTS</b>                      |            |   |           |            |            |
| Input Voltage Range (DC + AC)                   | $V_{IA}$   | -   | 1.0       | 4.2        | V          |
| Differential Mode Input Voltage Range           | $V_{IDFA}$ | -   | $\pm 318$ | $\pm 1315$ | mV         |
| Differential Input Squelch Threshold Voltage    | $V_{IASQ}$ | -   | -275      | -175       | mV         |
| Common Mode Input Resistance                    | $R_{ICMA}$ | $1.0\text{ V} < V_{ICMA} < 4.2\text{ V}$  | 1.5       | -          | k $\Omega$ |
| Differential Input Resistance (ARX, ACX Inputs) | $R_{IDFA}$ | $1.0\text{ V} < V_{ICMA} < 4.2\text{ V}$<br>$318\text{ mV} < V_{IDMA} < 1315\text{ mV}$ | 5.0       | -          | k $\Omega$ |

#### AUI TRANSMITTER OUTPUTS

|  |   |  |                              |                              |    |
|--|---|--|------------------------------|------------------------------|----|
| Common Mode Output Voltage<br>IDLE Mode<br>ACTIVE Mode<br>STANDBY Mode | $V_{OCMIA}$<br>$V_{OCMAA}$<br>$V_{OCMSA}$ | Figure 6<br><br>$I_O = -100\ \mu\text{A}$    | 1.0<br>1.0<br>$V_{DD} - 2.0$ | 4.2<br>4.2<br>$V_{DD} - 1.2$ | V  |
| Differential Output Voltage<br>IDLE Mode<br>ACTIVE Mode                | $V_{ODFIA}$<br>$V_{ODFAA}$                | Figure 6                                     | -<br>$\pm 600$               | $\pm 40$<br>$\pm 1315$       | mV |
| Differential Output Load Current<br>IDLE Mode                          | $I_{ODFIA}$                               | Figure 7                                     | -                            | $\pm 4.0$                    | mA |
| Output Short Circuit Current   | $I_{ODSA}$                                | Output Short Circuited to<br>$V_{DD}$ or GND | -                            | $\pm 150$                    | mA |

Figure 3. Test Load B1

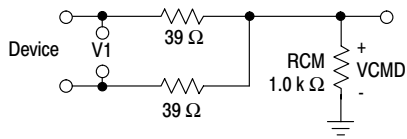


Figure 4. Test Load B2

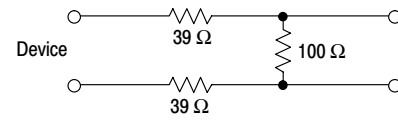
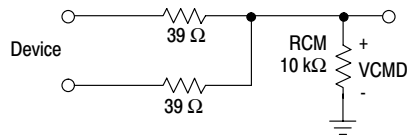


Figure 5. Test Load B3



**NOTE:** A total of 50 Ω per driver output is required for proper series line termination. This is realized with the 39 Ω external resistors shown in Figures 3, 4 and 5, together with the internal driver output resistance.

Figure 6. AUI Common Mode Termination

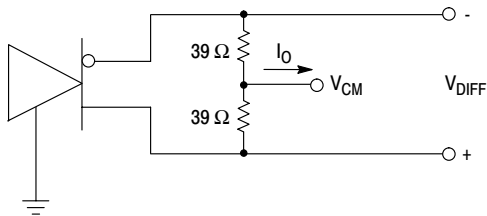
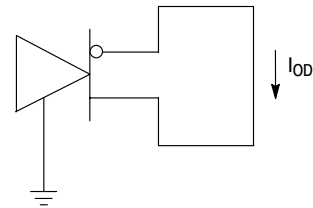


Figure 7. AUI Differential Output Short Circuit Current



**AC ELECTRICAL CHARACTERISTICS** (Unless otherwise noted, minimum and maximum limits apply over the recommended temperature and power supply voltage ranges.)

| Characteristic  | Symbol     | Min    | Max    | Unit |
|---|------------|--------|--------|------|
| <b>EXTERNAL CLOCK INPUT (X1)</b>                            |            |        |        |      |
| Cycle Time (Note 1) (See Figure 8)                          | $t_1$      | 49.995 | 50.005 | ns   |
| Fall Time   | $t_2$      | -      | 5.0    |      |
| Rise Time   | $t_3$      | -      | 5.0    |      |
| Low Time  | $t_4$      | 20     | 30     |      |
| High Time   | $t_5$      | 20     | 30     |      |
| <b>RECEIVE PHASE-LOCKED-LOOP SWITCHING</b>                  |            |        |        |      |
| Stabilization Time  | $t_7$      | -      | 100    | ms   |
| <b>CONTROLLER TRANSMIT SWITCHING (MOTOROLA MODE)</b>        |            |        |        |      |
| TCLK Cycle Time   | $t_{10}$   | 99     | 101    | ns   |
| TCLK High Time  | $t_{11}$   | 45     | 55     |      |
| TCLK Low Time   | $t_{12}$   | 45     | 55     |      |
| TCLK Rise and Fall Time                                     | $t_{13}$   | -      | 8.0    |      |
| TX Setup Time to TCLK $\uparrow$                            | $t_{14}$   | 20     | -      | ns   |
| TX Hold Time to TCLK $\uparrow$                             | $t_{15}$   | 0      | -      |      |
| TENA Setup Time to TCLK $\uparrow$                          | $t_{16}$   | 20     | -      | ns   |
| TENA Hold Time to TCLK $\uparrow$                           | $t_{17}$   | 0      | -      |      |
| <b>CONTROLLER RECEIVE SWITCHING</b>                         |            |        |        |      |
| RCLK Cycle Time   | $t_{20}$   | 90     | -      | ns   |
| RCLK High Time  | $t_{21}$   | 42     | -      |      |
| RCLK Low Time   | $t_{22}$   | 47     | 55     |      |
| RCLK Rise and Fall Time                                     | $t_{23}$   | -      | 8.0    |      |
| RX Hold Time from RCLK $\uparrow$                           | $t_{24}$   | 10     | -      | ns   |
| RX Set-Up Time to RCLK $\uparrow$                           | $t_{24.1}$ | 70     | -      |      |
| RCLK Delay from RENA $\uparrow$                             | $t_{25}$   | -      | 650    | ns   |
| RX Delay from RENA $\uparrow$                               | $t_{26}$   | -      | 600    |      |
| RENA Deassertion Delay from RCLK $\uparrow$ (See Figure 12) | $t_{27}$   | 10     | 30     | ns   |

- NOTES:** 1. To meet IEEE-802.3 specifications.  
 2. Load on specified output is 20 pF to ground, unless otherwise noted.  
 3.  $\uparrow$  = Rising Edge

**Figure 8. X1 Input Voltage Levels for Timing Measurements**

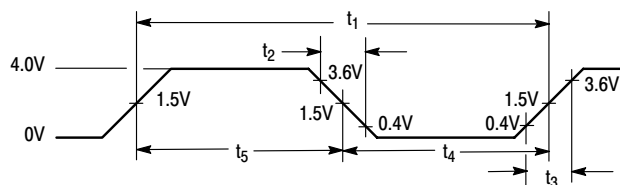
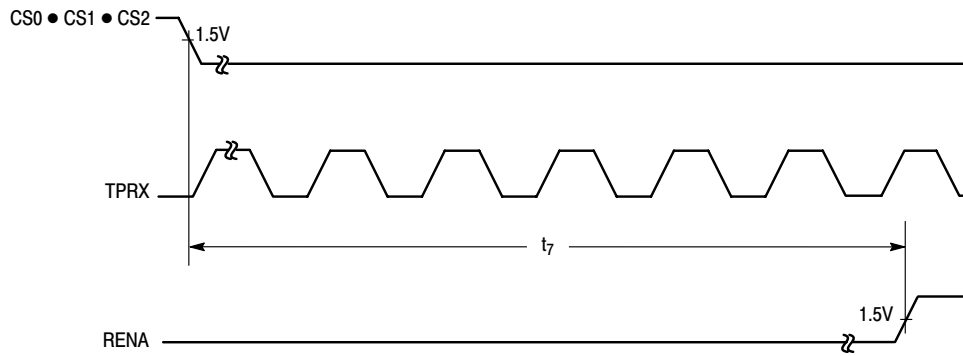


Figure 9. Receive Phase-Locked-Loop Switching



NOTE: CS0 • CS1 • CS2 is the logical AND operation and refers to the pins not at Logic 1.

Figure 10. Transmit Timing (Motorola Mode)

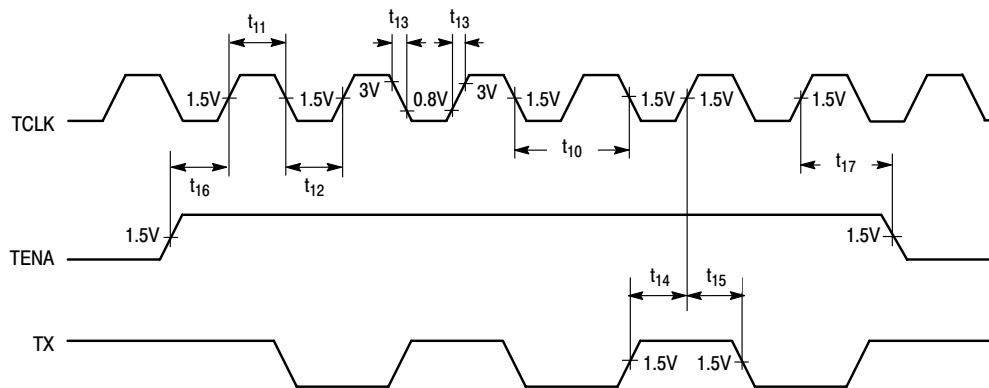


Figure 11. Receive Timing (Motorola Start of Frame)

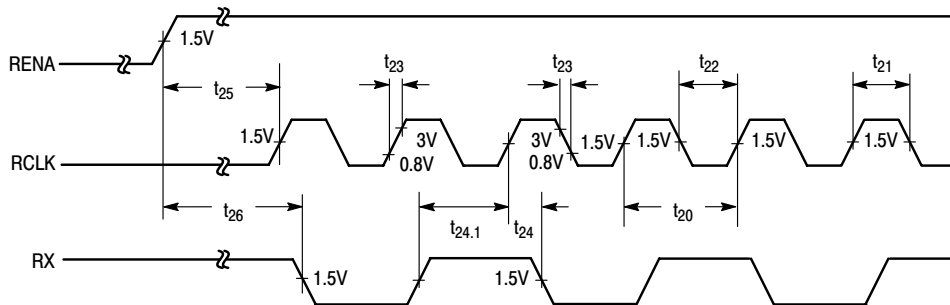
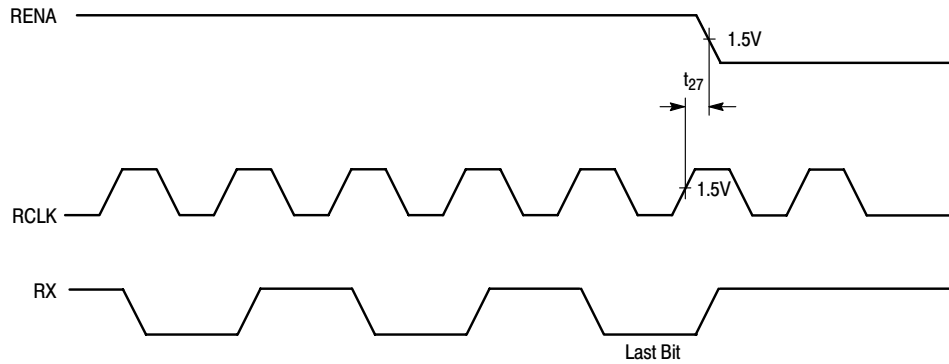


Figure 12. Receive Timing (Motorola End of Frame)



**CONTROLLER TRANSMIT SWITCHING (Intel Mode - Support by MC68160A Only)**

| Characteristic   | Symbol   | Min | Max | Unit |
|--|----------|-----|-----|------|
| TXC Cycle Time   | $t_{40}$ | 99  | 101 | ns   |
| TXC High and Low Time  | $t_{41}$ | 40  | -   |      |
| TXC Rise and Fall Time   | $t_{42}$ | -   | 5.0 |      |
| TXD Setup Time to $\overline{\text{TXC}} \downarrow$                     | $t_{43}$ | 20  | -   | ns   |
| TXD Hold Time to $\overline{\text{TXC}} \downarrow$                      | $t_{44}$ | 0   | -   |      |
| $\overline{\text{RTS}}$ Setup Time to $\overline{\text{TXC}} \downarrow$ | $t_{45}$ | 20  | -   | ns   |
| $\overline{\text{RTS}}$ Hold Time to $\overline{\text{TXC}} \downarrow$  | $t_{46}$ | 0   | -   |      |

**CONTROLLER RECEIVE SWITCHING**

|   |            |    |     |    |
|---|------------|----|-----|----|
| RXC Cycle Time  | $t_{80}$   | 90 | -   | ns |
| RXC High Time   | $t_{81}$   | 45 | 55  |    |
| RXC Low Time  | $t_{82}$   | 40 | -   |    |
| RXC Rise and Fall Time                                | $t_{83}$   | -  | 5.0 |    |
| RXD Hold Time from $\overline{\text{RXC}} \downarrow$ | $t_{85}$   | 50 | -   | ns |
| RXD Set-Up Time to $\overline{\text{RXC}} \downarrow$ | $t_{85.1}$ | 35 | -   |    |
| CRS Delay from $\overline{\text{RXC}} \uparrow$       | $t_{86}$   | 12 | 30  |    |

**NOTE:** Load on specified output is 20 pF to ground, unless otherwise noted.  
 $\uparrow$  = Rising Edge  
 $\downarrow$  = Falling Edge

Figure 13. Transmit Timing (Intel)

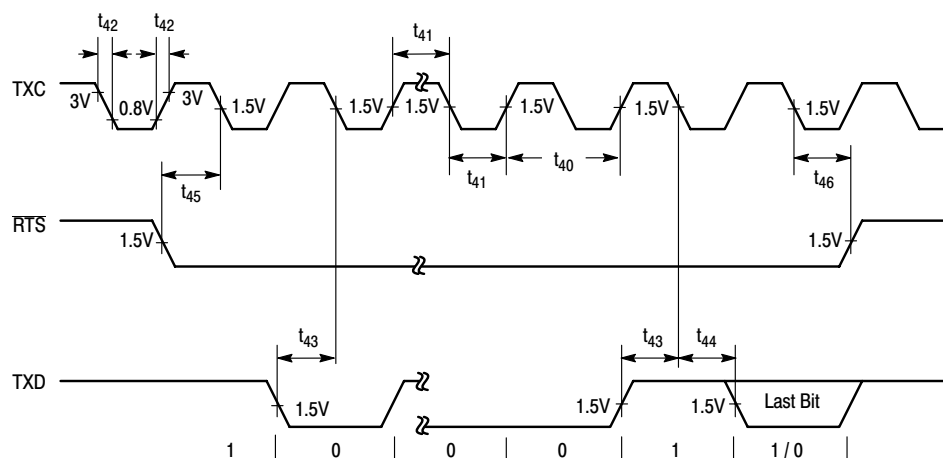
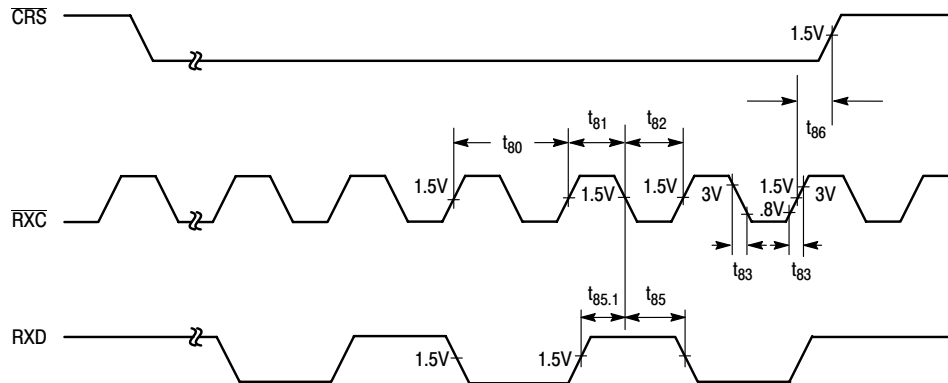


Figure 14. Receive Timing (Intel)



**CONTROLLER TRANSMIT SWITCHING (Fujitsu Mode - Supported by MC68160A Only)**

| Characteristic           | Symbol          | Min | Max | Unit |
|--------------------------|-----------------|-----|-----|------|
| TCKN Cycle Time          | t <sub>90</sub> | 99  | 101 | ns   |
| TCKN High and Low Time   | t <sub>91</sub> | 45  | 55  |      |
| TCKN Rise and Fall Time  | t <sub>92</sub> | -   | 8.0 |      |
| TXD Setup Time to TCKN ↓ | t <sub>93</sub> | 20  | -   | ns   |
| TXD Hold Time to TCKN ↓  | t <sub>94</sub> | 0   | -   |      |
| TEN Setup Time to TCKN ↓ | t <sub>95</sub> | 20  | -   | ns   |
| TEN Hold Time to TCKN ↓  | t <sub>96</sub> | 0   | -   |      |

**CONTROLLER RECEIVE SWITCHING**

|   |                    |    |     |    |
|---|--------------------|----|-----|----|
| RCKN Cycle Time                                   | t <sub>100</sub>   | 90 | -   | ns |
| RCKN High Time                                    | t <sub>101</sub>   | 40 | -   |    |
| RCKN Low Time                                     | t <sub>102</sub>   | 45 | 55  |    |
| RCKN Rise and Fall Time                           | t <sub>103</sub>   | -  | 8.0 |    |
| RXD Hold Time from RCKN ↓                         | t <sub>104</sub>   | 50 | -   | ns |
| RXD Set-Up Time RCLK ↓                            | t <sub>104.1</sub> | 35 | -   |    |
| RCKN Delay from XCD ↑                             | t <sub>105</sub>   | -  | 600 |    |
| XCD Deassertion Delay from RCKN ↑ (See Figure 17) | t <sub>106</sub>   | 0  | -   | ns |

**NOTE:** Load on specified output is 20 pF to ground, unless otherwise noted.  
 ↑ = Rising Edge  
 ↓ = Falling Edge

Figure 15. Transmit Timing (Fujitsu)

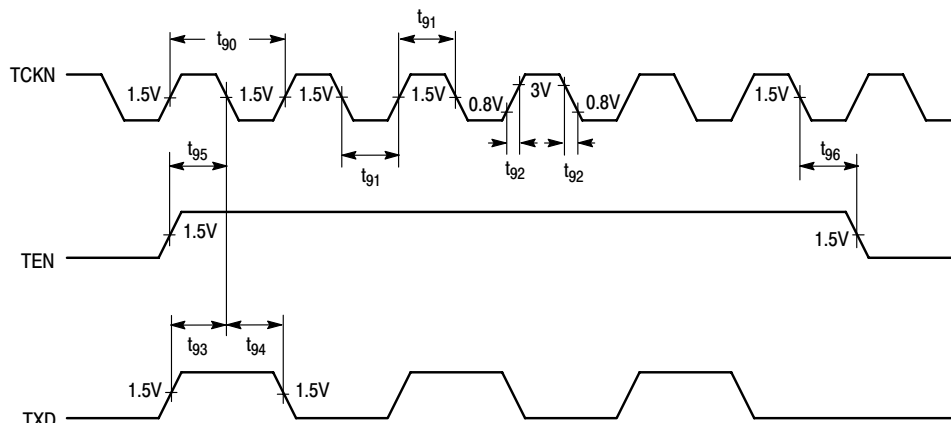




Figure 16. Receive Timing (Fujitsu Start of Frame)

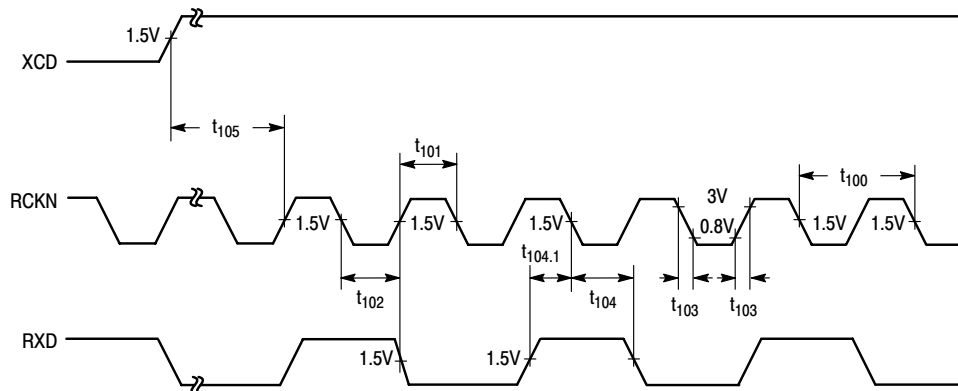
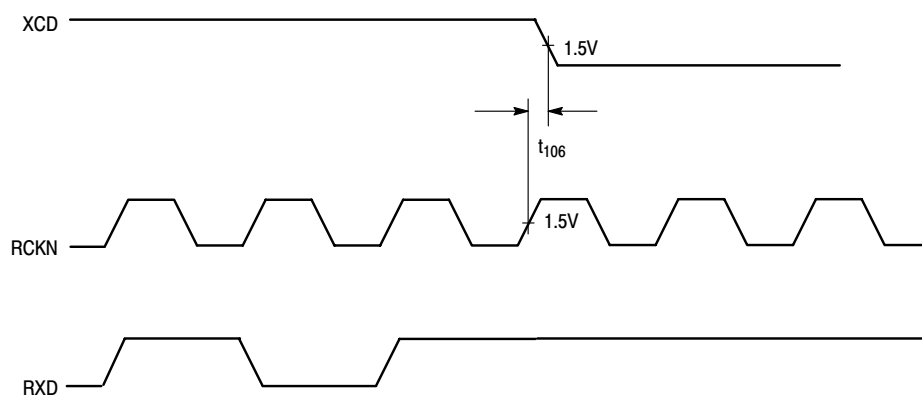


Figure 17. Receive Timing (Fujitsu End of Frame)



**CONTROLLER TRANSMIT SWITCHING (National Mode - Supported by MC68160A Only)**

| Characteristic                   | Symbol    | Min | Max | Unit |
|----------------------------------|-----------|-----|-----|------|
| TXC Cycle Time                   | $t_{110}$ | 99  | 101 | ns   |
| TXC High and Low Time            | $t_{111}$ | 45  | 55  |      |
| TXC Rise and Fall Time           | $t_{112}$ | -   | 8.0 |      |
| TXD Setup Time to TXC $\uparrow$ | $t_{113}$ | 20  | -   | ns   |
| TXD Hold Time to TXC $\uparrow$  | $t_{114}$ | 0   | -   |      |
| TXE Setup Time to TXC $\uparrow$ | $t_{115}$ | 20  | -   | ns   |
| TXE Hold Time to TXC $\uparrow$  | $t_{116}$ | 0   | -   |      |

**CONTROLLER RECEIVE SWITCHING**

|   |             |     |     |        |
|---|-------------|-----|-----|--------|
| RXC Cycle Time                              | $t_{120}$   | 90  | -   | ns     |
| RXC Low Time                                | $t_{121}$   | 40  | -   |        |
| RXC High Time                               | $t_{122}$   | 40  | 60  |        |
| RXC Rise and Fall Time                      | $t_{123}$   | -   | 8.0 |        |
| RXD Hold Time from RXC $\uparrow$           | $t_{124}$   | 50  | -   | ns     |
| RXD Set-Up Time from RXC $\uparrow$         | $t_{124.1}$ | 35  | -   |        |
| RXC Delay from CRS $\uparrow$               | $t_{125}$   | -   | 600 |        |
| CRS Deassertion Delay from RXC $\downarrow$ | $t_{126}$   | 0   | 15  | ns     |
| RXC continuing beyond CRS $\downarrow$      | $t_{127}$   | 5.0 | -   | cycles |

**NOTE:** Load on specified output is 20 pF to ground, unless otherwise noted.  
 $\uparrow$  = Rising Edge  
 $\downarrow$  = Falling Edge

Figure 18. Transmit Timing (National)

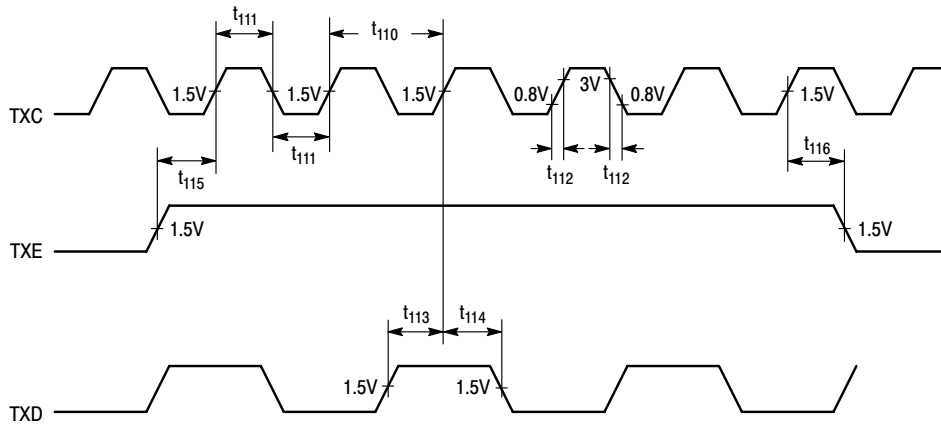
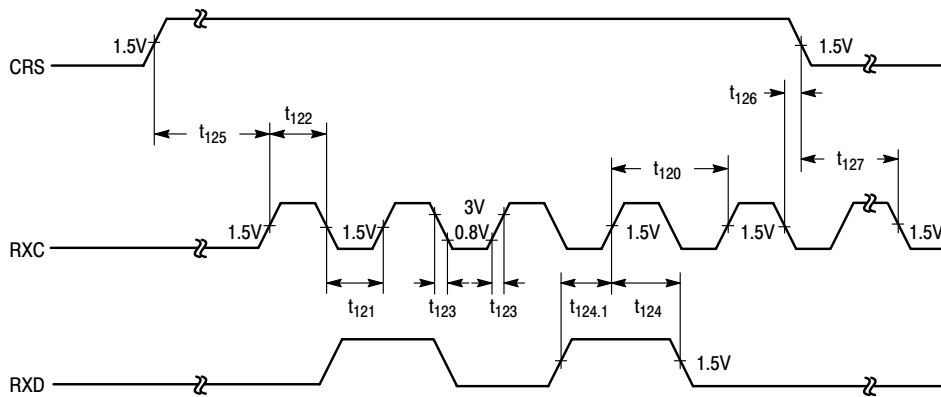


Figure 19. Receive Timing (National)



## TP TRANSMIT SWITCHING

| Characteristic  | Symbol       | Min | Typ   | Max | Unit  |
|---|--------------|-----|-------|-----|-------|
| TPTX Common Mode AC Output Voltage (Note 3)   | $V_{OCMTPT}$ | -   | -     | 50  | mVrms |
| TX to TPTX Steady State Propagation Delay (Note 2) (See Figure 24)<br>Bit Duration Center-to-Center<br>Half-Bit Cell Duration Center-to-Boundary          | $t_{130}$    | -   | -     | 200 | ns    |
|   | $t_{131}$    | 98  | -     | 102 |       |
|   | $t_{132}$    | 48  | -     | 52  |       |
| TENA Assert to RENA Assert Delay (Note 7) (See Figure 24)   | $t_{133}$    | -   | -     | 400 | ns    |
| Internal Loopback Delay from TX to RX (Note 7) (See Figure 24)  | $t_{134}$    | -   | -     | 650 | ns    |
| TPTX End of Packet Hold Time from last positive TPTX Signal Edge to +585 mV Differential Output Level (Note 5) (See Figure 25)                            | $t_{135}$    | 250 | -     | 400 | ns    |
| TPTX Precompensation Pulse Width (Notes 2 and 6) (See Figure 25)  | $t_{136}$    | -   | 45-58 | -   | ns    |
| RENA Deassert Delay from TENA Deassert when Receiver is inactive<br>Motorola Mode<br>Fujitsu Mode<br>National Mode<br>Intel Mode (Note 4) (See Figure 26) | $t_{137}$    | 250 | -     | 450 | ns    |
|   | $t_{137}$    | 250 | -     | 450 |       |
|   | $t_{137}$    | 250 | -     | 450 |       |
|   | $t_{138}$    | 250 | -     | 450 |       |
| TPTX Data-to-Link Test Pulse (Note 2) (See Figure 27)   | $t_{139}$    | 8.0 | -     | 24  | ms    |
| TPTX Link Test Pulse Width (Note 2)   | $t_{140}$    | 80  | -     | 240 | ns    |
| TPTX Link Test Pulse Decay-to-Idle Condition (Note 1)   | $t_{141}$    | 80  | -     | 240 | ns    |
| TPTX Link Test Pulse to next Link Test Pulse (Note 2)   | $t_{142}$    | 8.0 | -     | 24  | ms    |

- NOTES:**
1. Measured differentially across the output of Test Load A which is connected directly to the TPTX+/- pins of the device.
  2. Measured differentially across the output of Test Load D shown in Figure 23 which is connected directly to the TPTX+/- pins of the device.
  3. Measured across the output of Test Load C which is connected directly to the TPTX+/- pins of the device.
  4. Same as  $t_{137}$  except the logic states for TENA and RENA are inverted.
  5. Measured across the output of Test Load B shown in Figure 21.
  6. Measured at the +/-90% points of the precompensation voltage feature of the waveform. (The 0% reference is 0 V differential.)
  7. Load on specified output is 20 pF to ground.

Figure 20. Test Load A

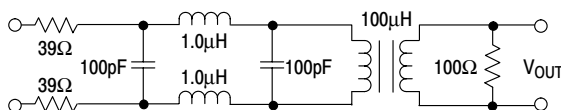


Figure 21. Test Load B

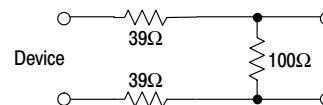


Figure 22. Test Load C

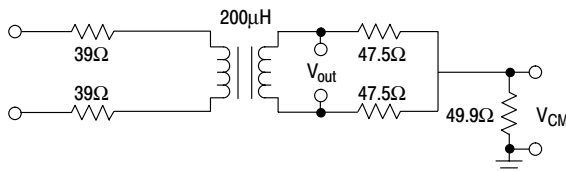
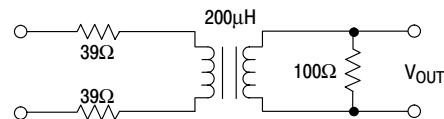


Figure 23. Test Load D



**NOTE:** A total of 50 Ω per driver output is required for proper series line termination. This is realized with the 39 Ω external resistors shown in Figures 20 to 23, together with the internal driver output resistance.

Figure 24. TPTX Transmit Timing (Start of Frame) Switching

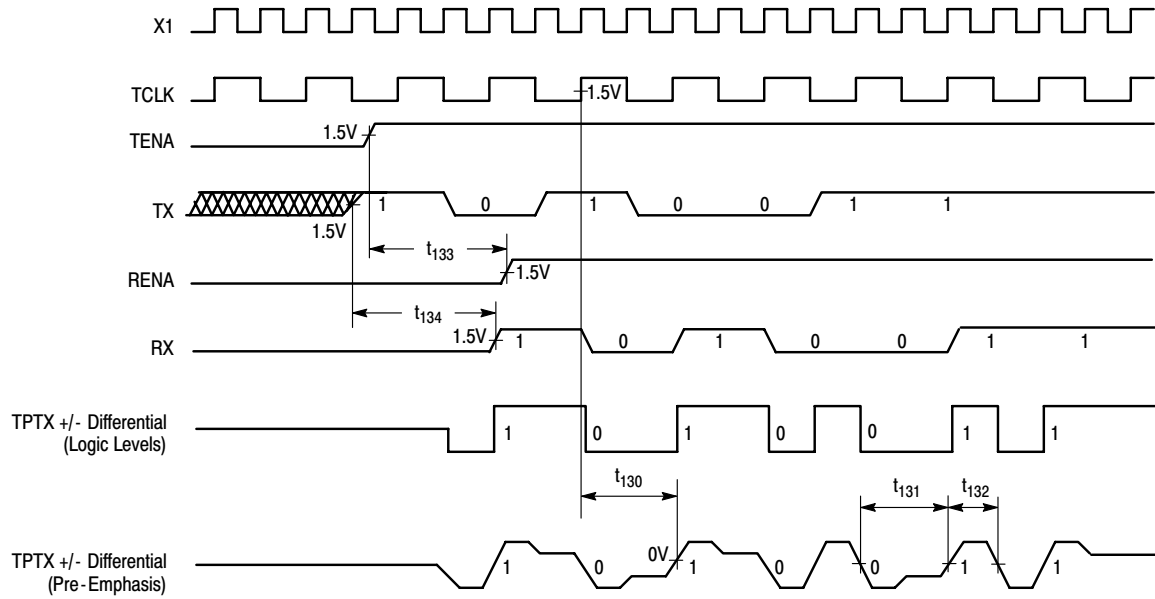


Figure 25. TPTX Transmit Timing (End of Frame) Switching

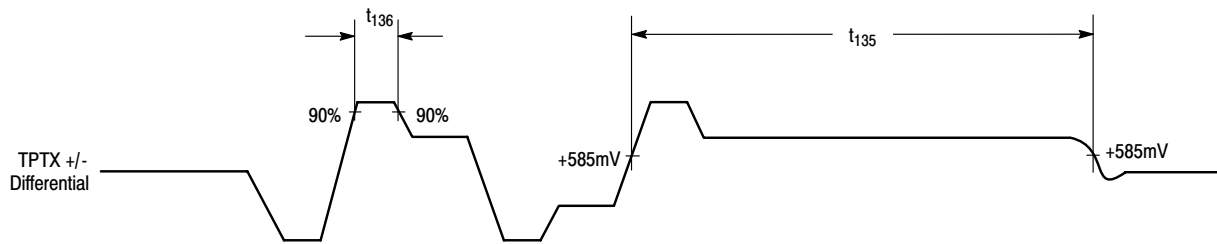


Figure 26. RENA Deassert Delay from TENA

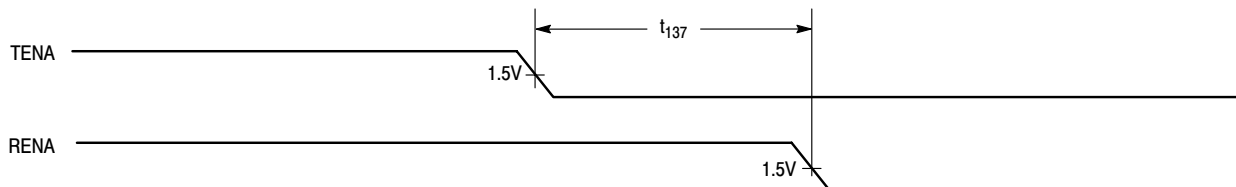
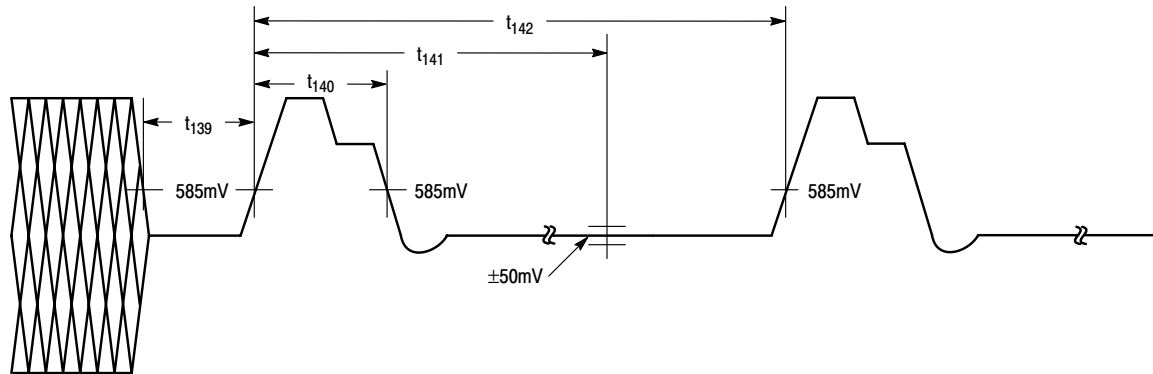


Figure 27. TPTX+/- Link Pulse Timing



**TP TRANSMIT JABBER SWITCHING**

| Characteristic  | Symbol    | Min | Max | Unit |
|---|-----------|-----|-----|------|
| Max Length of Transmission before Assertion of TPJABB to indicate Jabber Condition<br>CLSN to indicate Jabber Condition | $t_{160}$ | 20  | 60  | ms   |
|   | $t_{161}$ | 20  | 60  |      |
| Time from End of Jabber Condition to Deassertion: of TPJABB<br>of CLSN  | $t_{162}$ | 500 | 750 | ms   |
|   | $t_{163}$ | 500 | 750 |      |

**TP TRANSMIT SIGNAL QUALITY ERROR TEST SWITCHING**

|   |           |     |     |         |
|---|-----------|-----|-----|---------|
| CLSN (Signal Quality Error Test) (See Figure 29)<br>Assertion from last positive TPTX edge<br>Deassertion from last positive TPTX edge<br>Pulse Width | $t_{170}$ | 0.6 | 1.6 | $\mu$ s |
|   | $t_{171}$ | -   | 3.1 |         |
|   | $t_{172}$ | 0.5 | 1.5 |         |
| TPSQEL Disable Delay Time (See Figure 29)   | $t_{173}$ | -   | 40  | ns      |

**NOTE:** The load attached to the specified output is a 20 pF capacitor connected to ground, unless otherwise noted.

Figure 28. TPJABB Switching

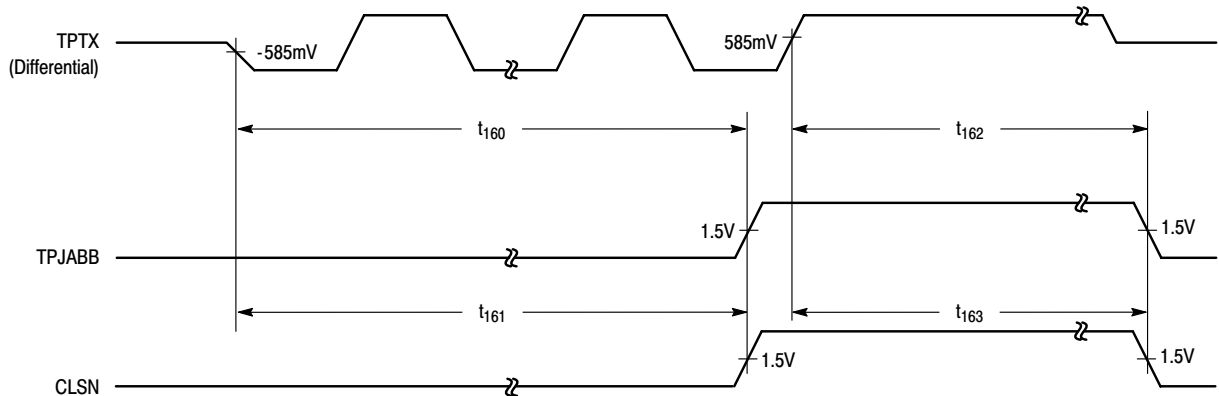
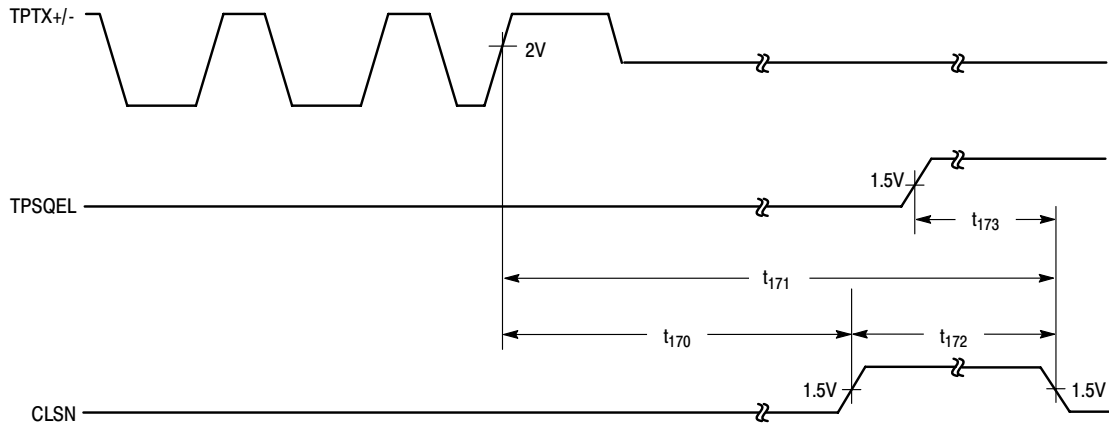


Figure 29. TPTX SQE (CLSN) Timing (End of Frame)



TP RECEIVE SWITCHING

| Characteristic   | Symbol       | Min | Max | Unit    |
|--|--------------|-----|-----|---------|
| Differential Input Voltage Range Unconditional Squelch (Note 1)<br>(1.8 V < Input Common Mode Voltage < 3.2 V) | $V_{IDFSTP}$ | 0   | 264 | mV      |
| Positive or Negative Differential Input Pulse Width for Conditional Receive Unsquelch<br>(See Figure 31)       | $t_{180}$    | 20  | 30  | ns      |
| TPRX to RCLK Bit Loss at start of packet (See Figure 32)   | $t_{181}$    | -   | 10  | Bits    |
| TPRX to RCLK Steady State Propagation Delay (See Figure 32)  | $t_{182}$    | -   | 400 | ns      |
| TPRX to RX Start Up Delay (See Figure 32)  | $t_{183}$    | -   | 1.5 | $\mu$ s |
| TPRX held high from last valid positive transition (See Figure 33)   | $t_{186}$    | 230 | -   | ns      |
| RENA Deassertion Delay from last valid positive transition of TPRX Pair<br>(See Figure 33)                     | $t_{187}$    | -   | 350 | ns      |

TP RECEIVE LINK INTEGRITY SWITCHING

|   |                        |            |            |    |
|---|------------------------|------------|------------|----|
| Required Pulse Width Range to be recognized as a Link Pulse (Note 2)                  | $t_{200}$              | 50         | 200        | ns |
| Last TPRX activity to high state TPLIL Output<br>(Receive Link Loss Timeout Interval) | $t_{201}$              | 100        | 150        | ms |
| Receive Link Beat Separation<br>Minimum Range (Note 3)<br>Maximum Range (Note 4)      | $t_{202}$<br>$t_{203}$ | 3.0<br>100 | 7.0<br>150 | ms |

- NOTES: 1. Measured with Test Load H attached to the receive pins.  
2. Measured at the receive pins.  
3. Link beats closer in time to this range of values are considered noise, and are rejected.  
4. Link beats further apart in time than this range of values are not considered consecutive, and are rejected.

Figure 30. Test Load H

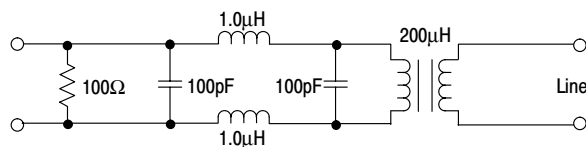


Figure 31. TPRX Input Switching

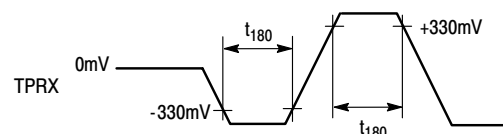


Figure 32. TPRX Receive Timing (Start of Frame)

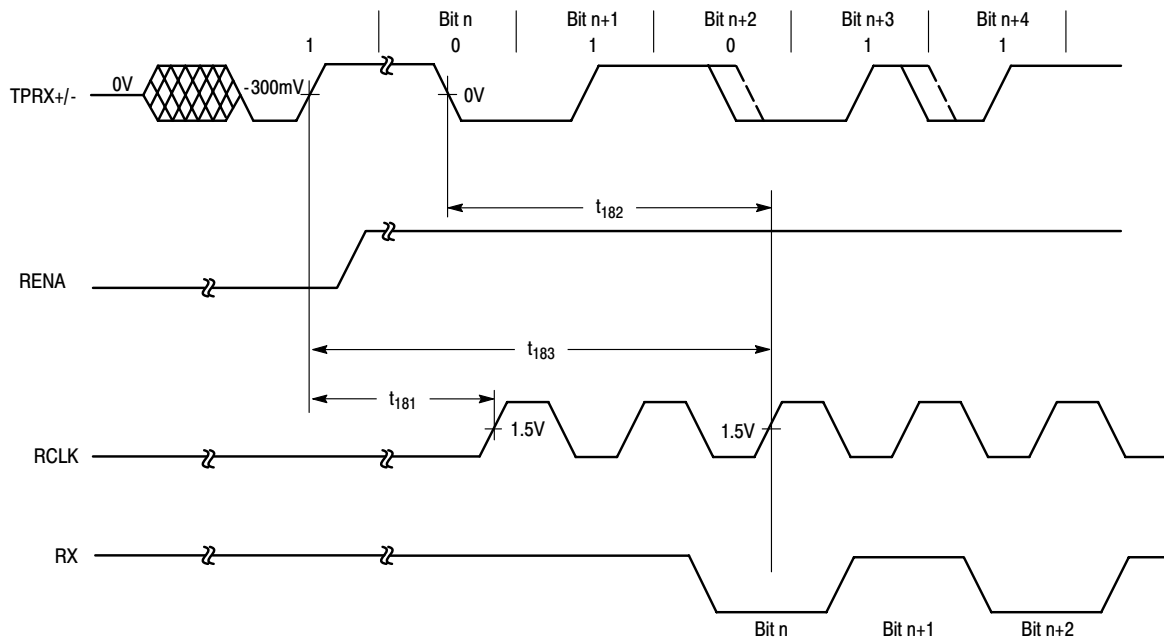


Figure 33. RENA Deassertion Delay from Last Valid Positive Transition of TPRX Pair

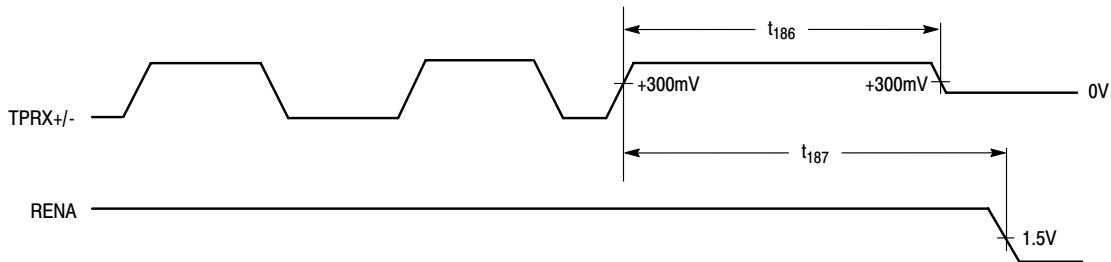
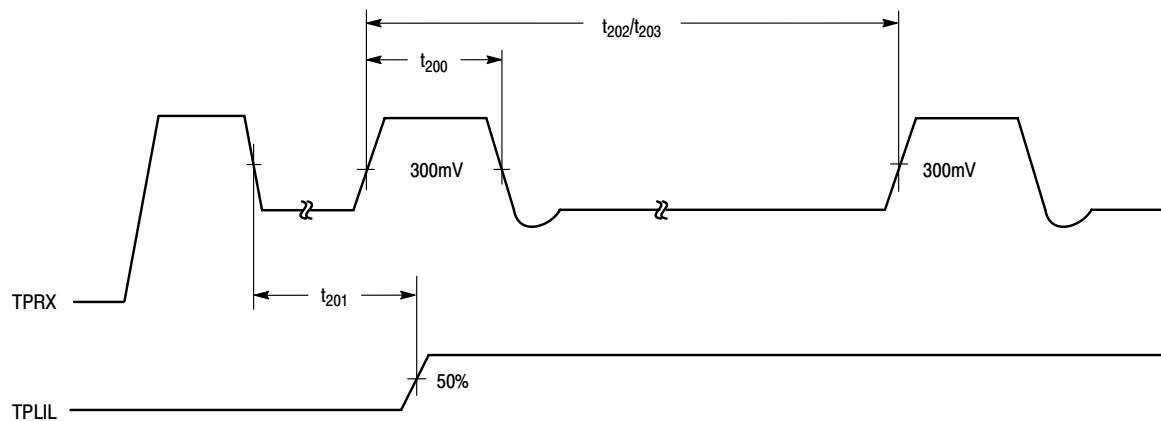


Figure 34. TP Receive Link Integrity Switching



**TP COLLISION SWITCHING**

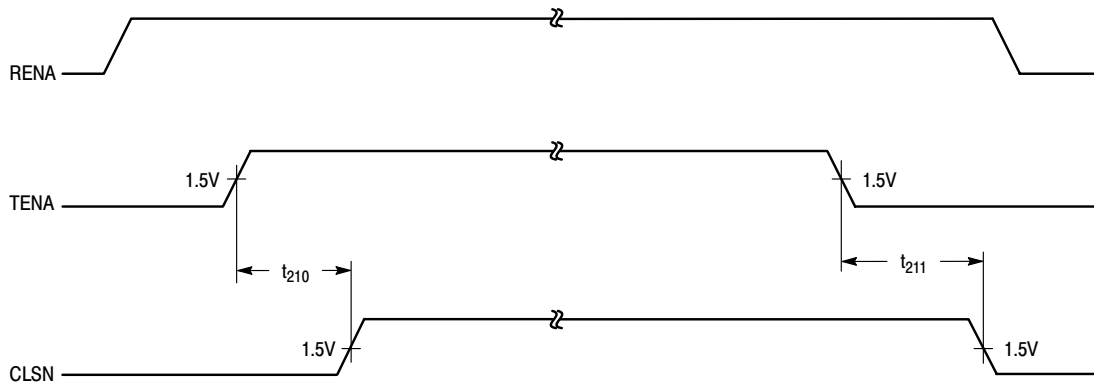
| Characteristic  | Symbol    | Min | Max | Unit |
|---|-----------|-----|-----|------|
| Time from collision (TPRX activity caused assertion of RENA followed by assertion of TENA) to assertion of CLSN | $t_{210}$ | -   | 300 | ns   |
| Time from end of collision (Deassertion of TENA with uninterrupted TPRX pair activity) to deassertion of CLSN   | $t_{211}$ | 350 | 900 | ns   |

**TP FULL DUPLEX SWITCHING**

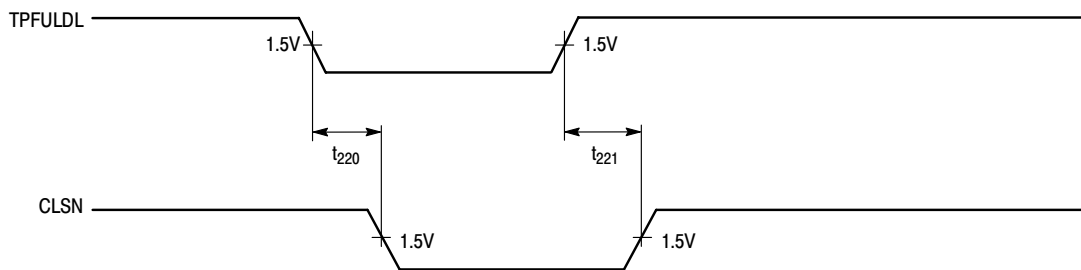
|  |           |   |     |    |
|--|-----------|---|-----|----|
| TPFULDL assert to collision detect disable (See Figure 36) | $t_{220}$ | - | 50  | ns |
| TPFULDL deassert to collision detect enable                | $t_{221}$ | - | 50  | ns |
| TPFULDL assert to data loop back disable (See Figure 37)   | $t_{222}$ | - | 350 | ns |
| TPFULDL deassert to data loop back enable                  | $t_{223}$ | - | 150 | ns |

**NOTE:** Load on specified output is 20 pF to ground, unless otherwise noted.

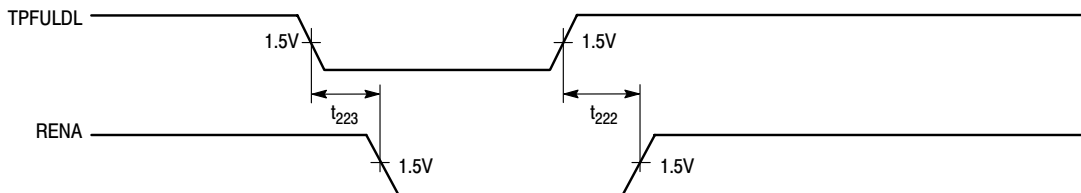
**Figure 35. TPTX Collision Timing**



**Figure 36. TPTX Full Duplex Timing**



**Figure 37. TPTX Full Duplex Timing**



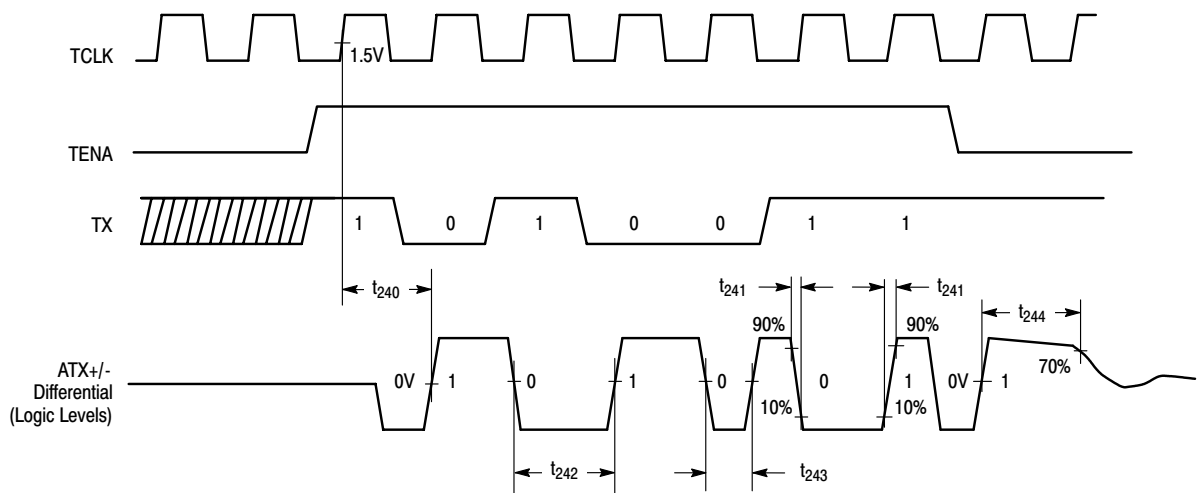


**AUI TRANSMIT SWITCHING**

| Characteristic   | Symbol    | Min | Typ          | Max | Unit |
|--|-----------|-----|--------------|-----|------|
| TCLK to ATX Pair Steady State Propagation Delay  | $t_{240}$ | -   | -            | 100 | ns   |
| Output Differential Rise and Fall Times (Measured directly at device pins)             | $t_{241}$ | 1.0 | -            | 5.0 | ns   |
| ATX Bit Cell Duration center-to-center (Measured directly at device pins)              | $t_{242}$ | -   | 99.5 - 100.5 | -   | ns   |
| ATX Half-Bit Cell Duration center-to-boundary (Measured directly at device pins)       | $t_{243}$ | -   | 49.5 - 50.5  | -   | ns   |
| ATX Pair Held at Positive Differential at start of Idle (Measured through transformer) | $t_{244}$ | 200 | -            | -   | ns   |

**NOTE:** Load on specified output is a shunt 27  $\mu$ H inductor and 83  $\Omega$  resistor.

**Figure 38. ATX Transmit Timings**



**AUI RECEIVE SWITCHING**

| Characteristic                             | Symbol    | Min       | Max        | Unit |
|--|-----------|-----------|------------|------|
| ARX/ACX Differential Input Voltage Range   | -         | $\pm 318$ | $\pm 1315$ | mV   |
| ARX/ACX Differential Input Pulse Width to: |           |           |            | ns   |
| Initiate Data Reception                    | $t_{261}$ | 30        | -          |      |
| Inhibit Data Reception                     | $t_{262}$ | -         | 18         |      |
| RENA Assertion Delay                       | $t_{266}$ | -         | 100        | ns   |
| RENA Deassertion Delay                     | $t_{267}$ | -         | 450        | ns   |

**Squelching Characteristics**

The receive data pairs and the collision pairs should have the following squelch characteristics:

1. The squelch circuits are on at idle (with input voltage at approximately 0 V differential).
2. If an input is in squelch, pulse is rejected if the peak differential voltage is more positive than -175 mV, regardless of pulse width.
3. A pulse is considered valid if its peak differential voltage is more negative than -300 mV and its width, measured at -285 mV, is > 25 ns.
4. The squelch circuits are disabled by the first valid negative differential pulse on either the AUI receive data or collision pair.
5. If a positive differential pulse occurs on either the AUI receive data or collision pair > 175 ns, end of frame is assumed and squelch circuitry is turned on.

**Figure 39. ARX/ACX Timing**

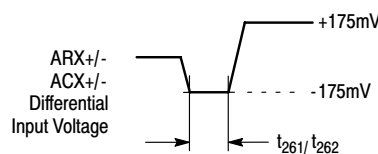
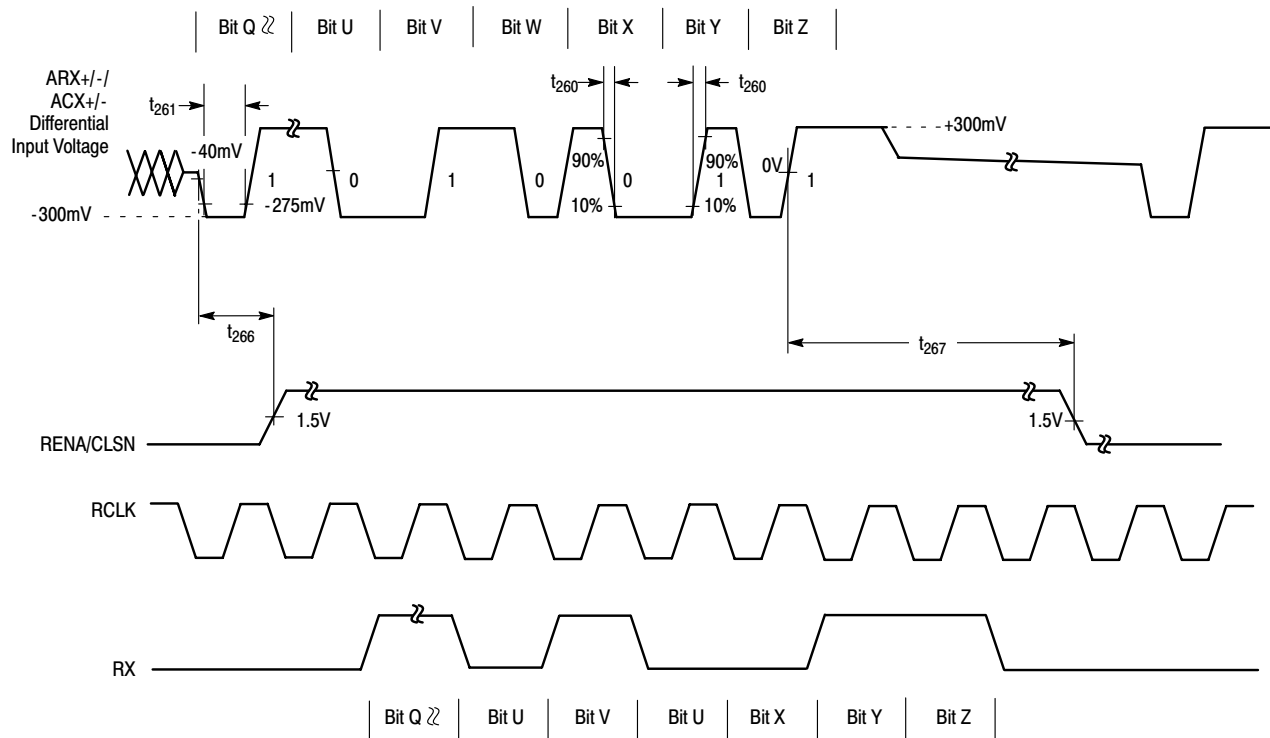


Figure 40. ARX/ACX Timing



## FUNCTIONAL DESCRIPTION

### Introduction

The MC68160A was designed to perform the physical connection to the Ethernet media. This is done through two separate media dependent interfaces and a SIA interface. The media dependent interfaces are the Attachment Unit Interface(AUI) and the 10BASE-T Twisted Pair(TP) port. The MC68160A's SIA interface is compatible with most industry controllers and selected by three mode control pins. Chip status is supported indicated by the condition of 6 status indicator pins. All but one are open collector outputs.

If the EEST isn't receiving data, the controller may initiate transmission. NRZ data from the communications controller SIA interface is encoded by the MC68160A into Manchester Code in preparation for transmission on the media. The data is then applied to either the AUI or TP port. If the data was transmitted using the 10BASE-T port, this data is also looped back to the receive data interface SIA pins connected to the controller. This allows detection of a collision condition in the event that another station on the media attempted transmission at the same time. After the entire data frame has been transmitted, the EEST must force the media idle signal. The idle signal frees the media for other stations that have deferred transmission. If no other transmissions are required the link enters an idle state. During this idle state the 10BASE-T transmitter issues idle pulses which communicates to the receiver connected to the other side that the link is valid. If the

transmitter connected at the other end begins transmission, the EEST will assert a receive enable signal, and forward the received data to the controller.

Upon reception of data at the 10BASE-T port, the data is screened for proper sequence and pulse width requirements. If the preamble of the received frame meets the requirements, the PLL locks onto the 64-bit preamble and begins to decode the Manchester Code to NRZ code. This code is then presented to the communications controller at the receive data pins at the SIA interface. If data is received at the AUI port, it is sent directly to the communications controller via the SIA interface.

### Data Transmission

To have properly encoded transmit data, the communications controller must be synchronized to TCLK. Transmission to the 10BASE-T or AUI media occurs when TENA is asserted and data is applied to the TX pin. Finally, to signify transmission, the TXLED in will cycle on and off at a 100 ms period. Data transmission for EEST is accomplished either over the 10BASE-T port or the AUI port. Both connections to the media are made with industry standard media interface components. The 10BASE-T interface requires a filter and transformer, the AUI interface requires only a transformer. The filter for the 10BASE-T transmit circuit will have to be chosen for each application.